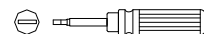
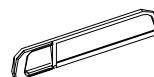
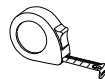
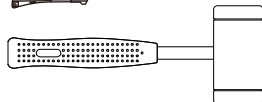
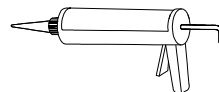
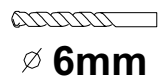
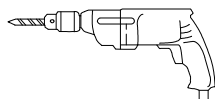
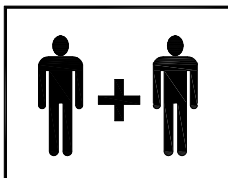
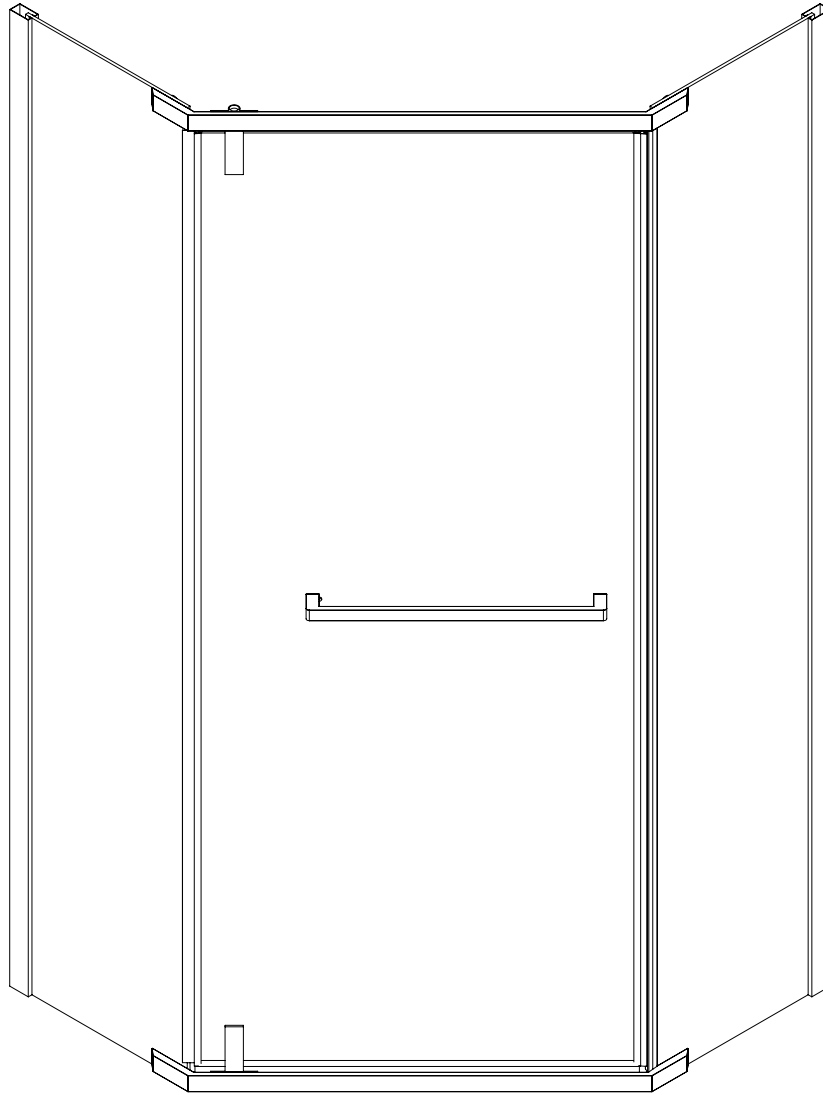
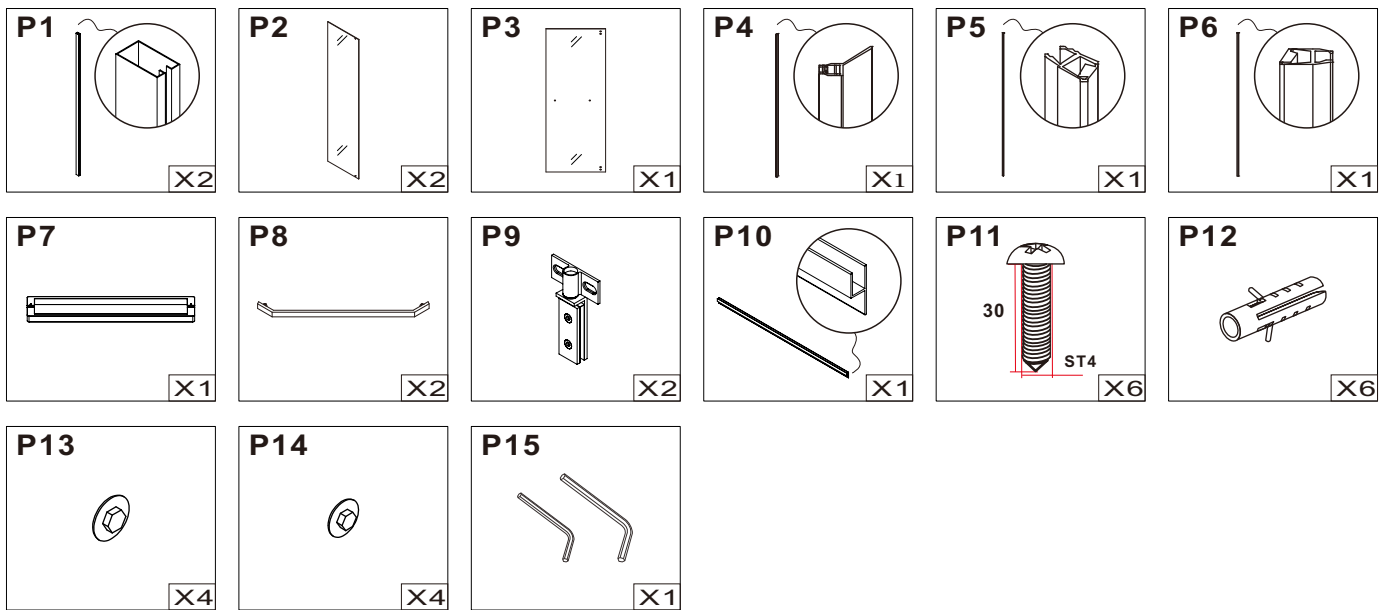
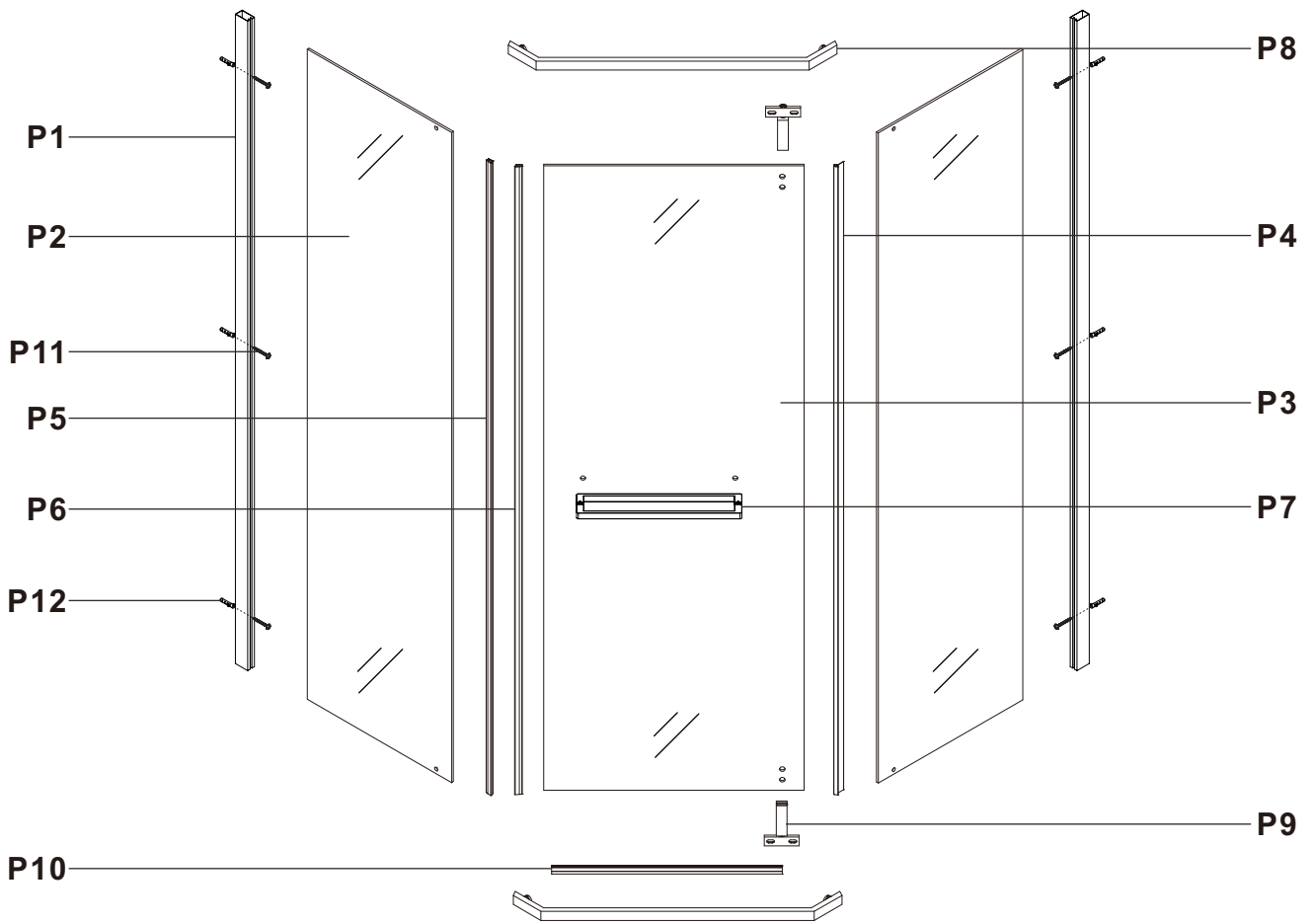
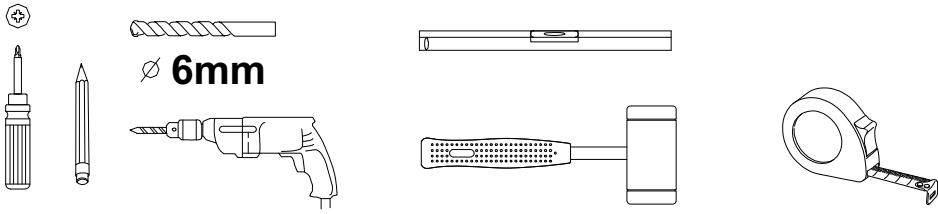


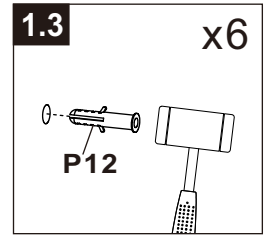
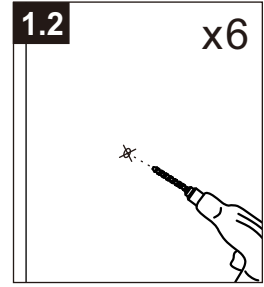
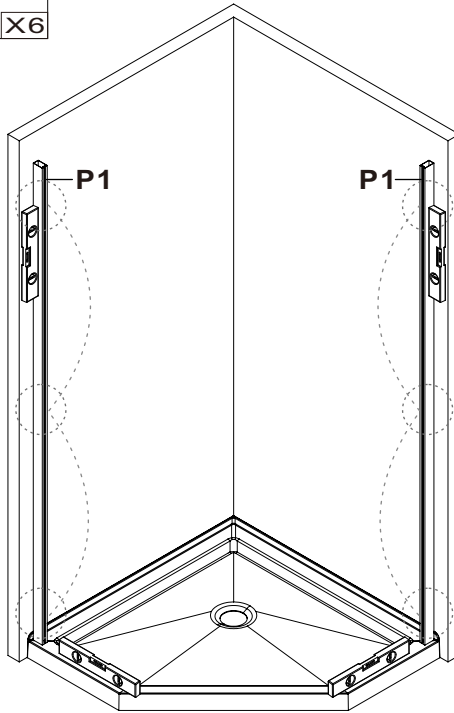
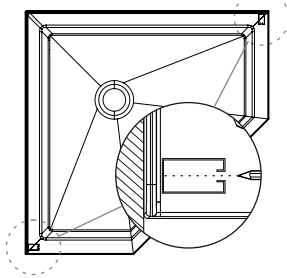
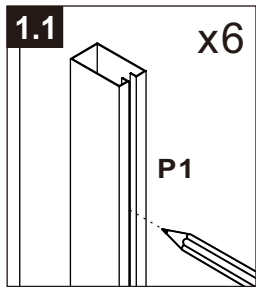
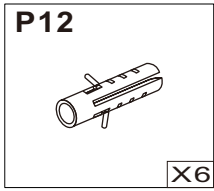
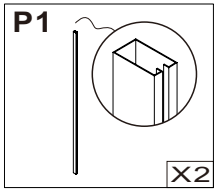
# SSZ90



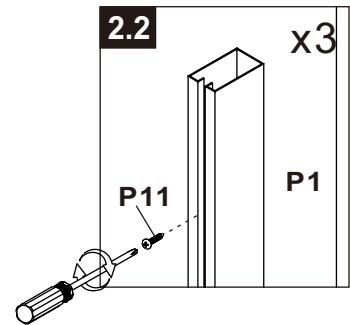
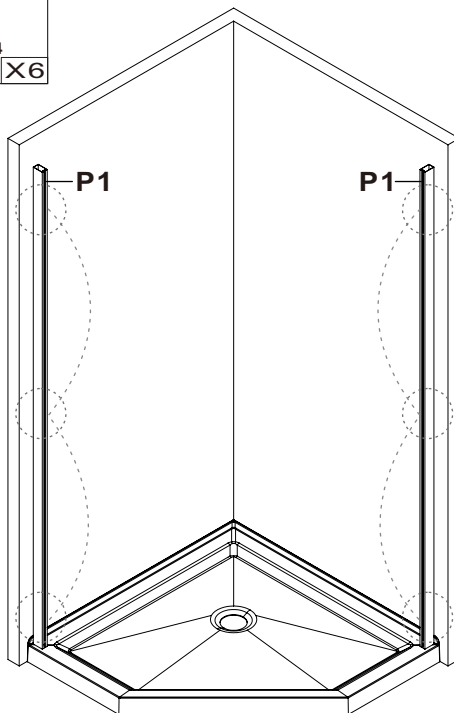
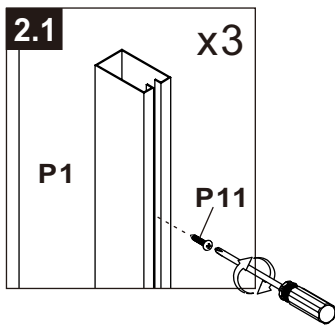
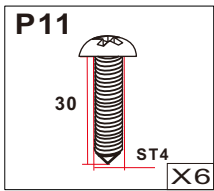
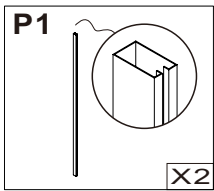




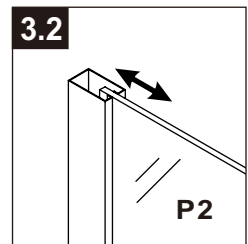
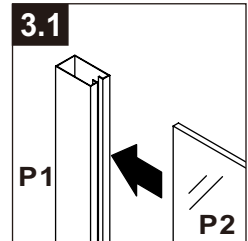
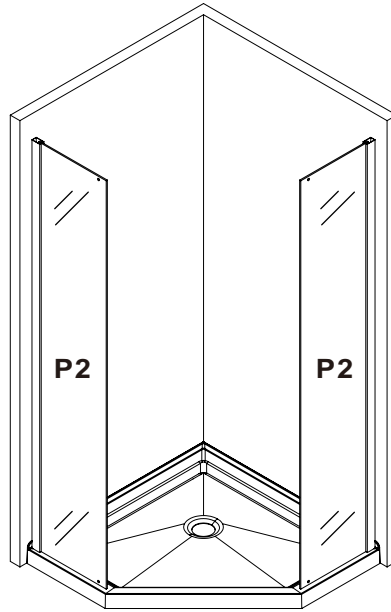
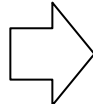
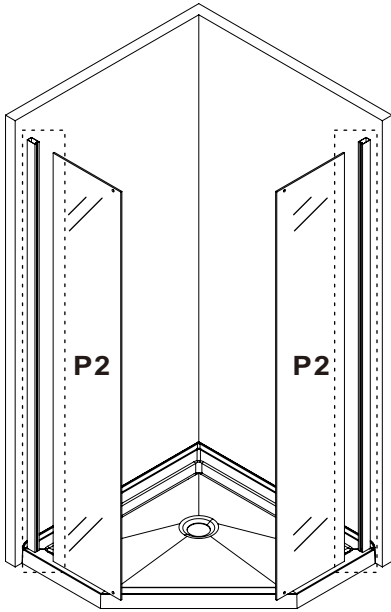
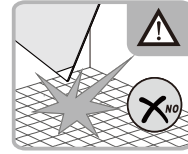
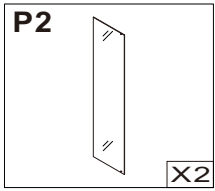
**1**



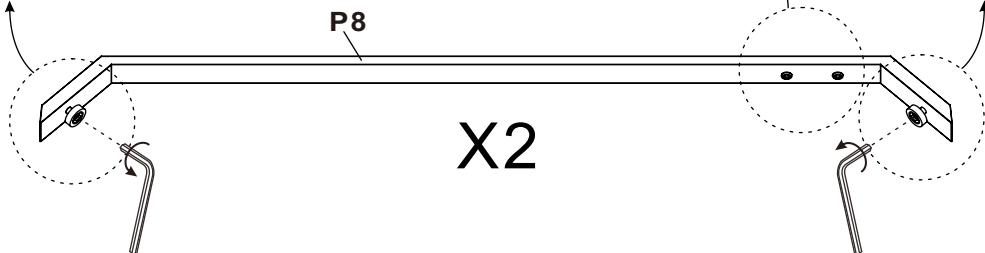
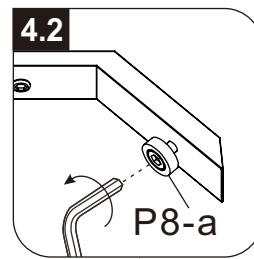
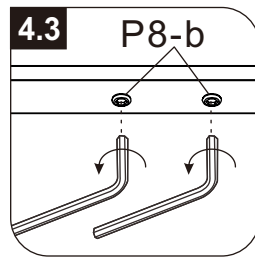
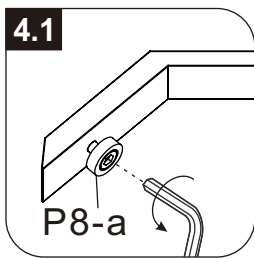
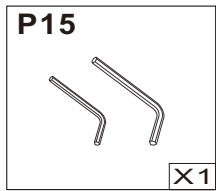
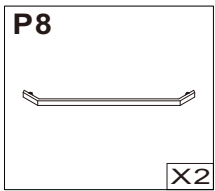
**2**

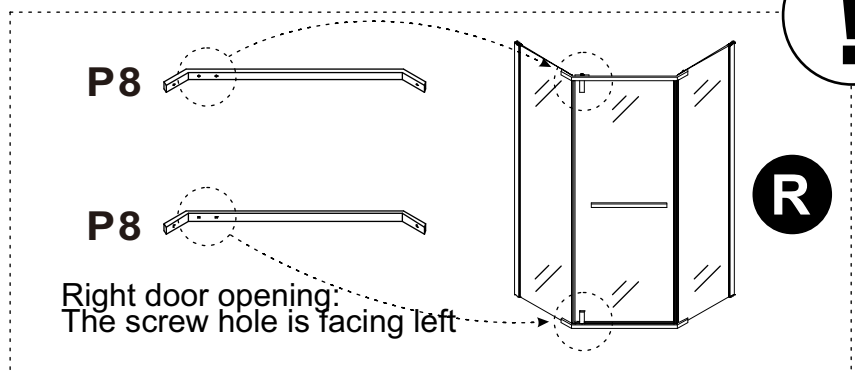
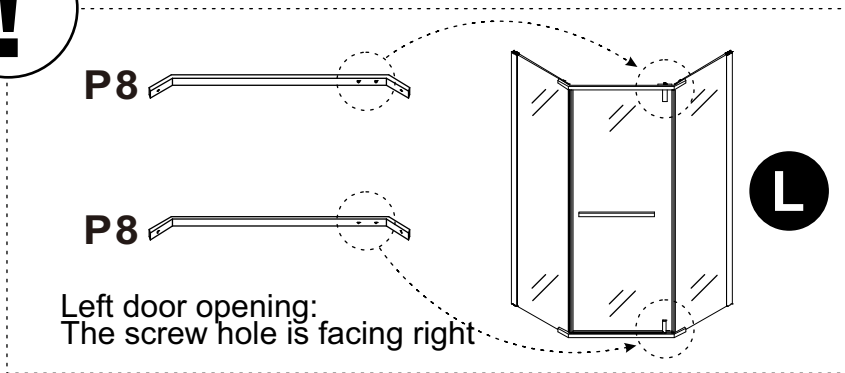
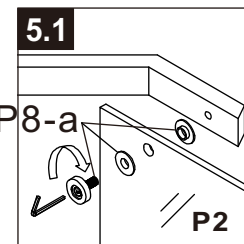
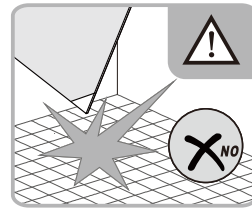
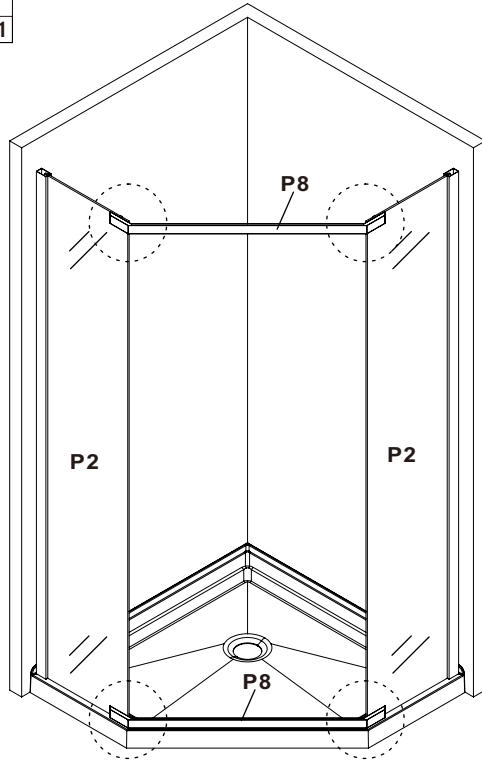
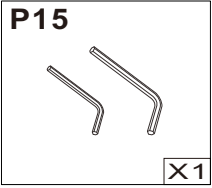


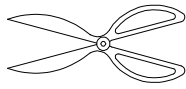
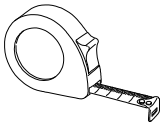
3



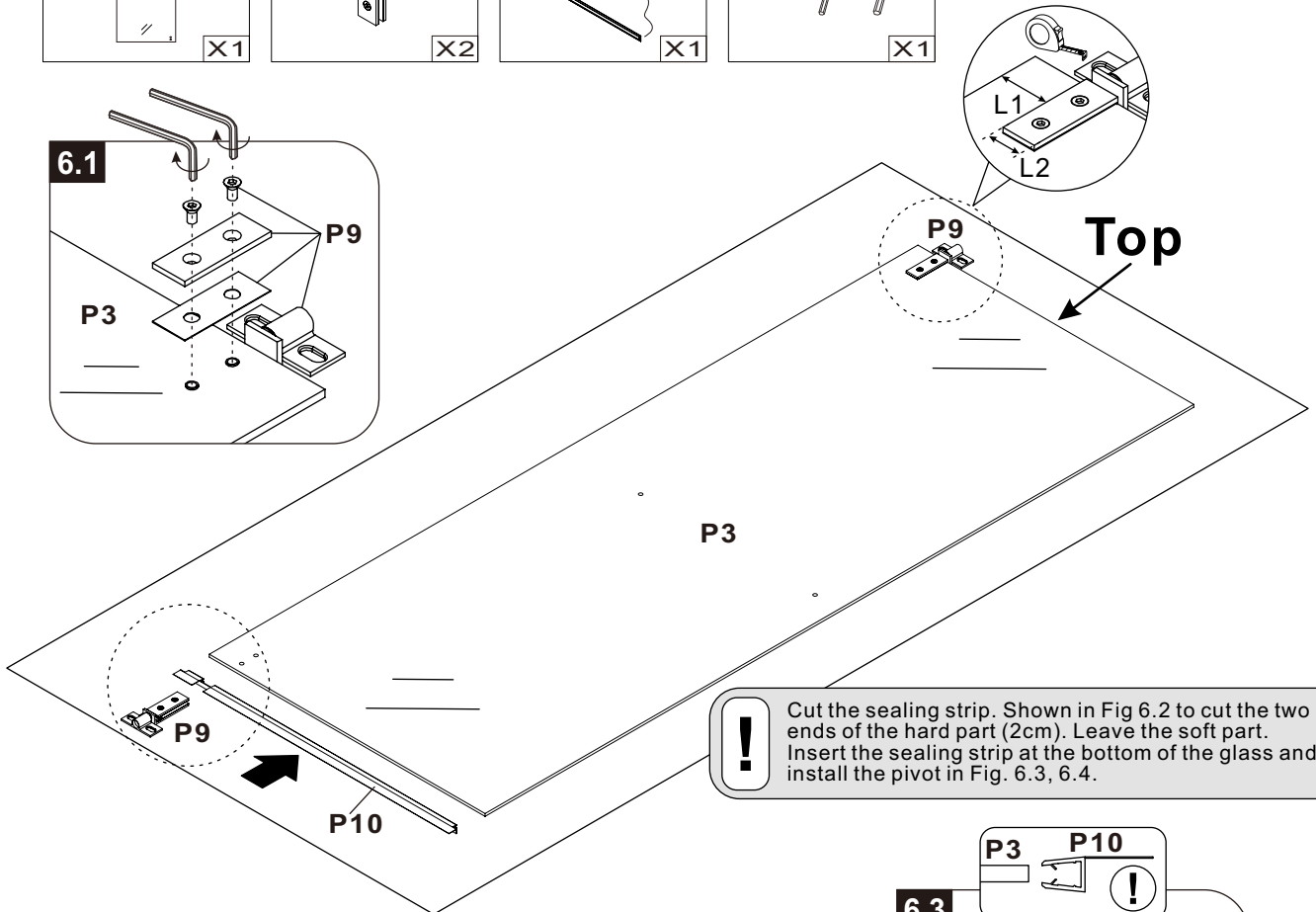
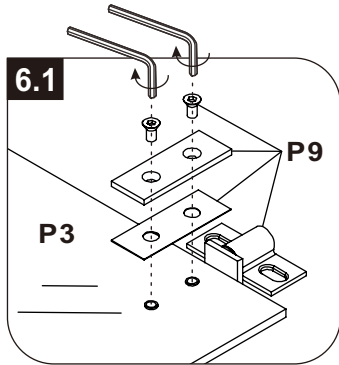
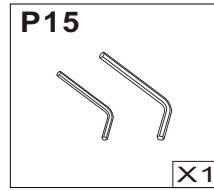
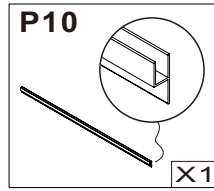
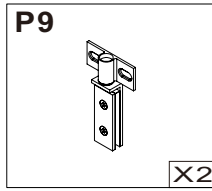
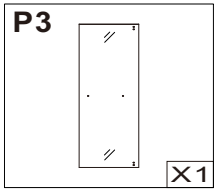
4



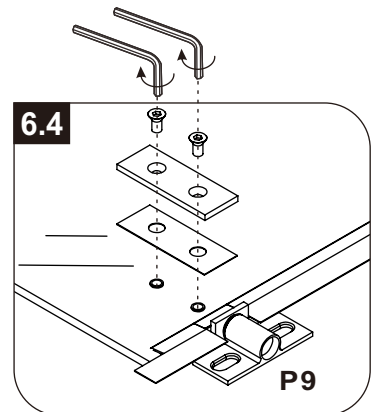
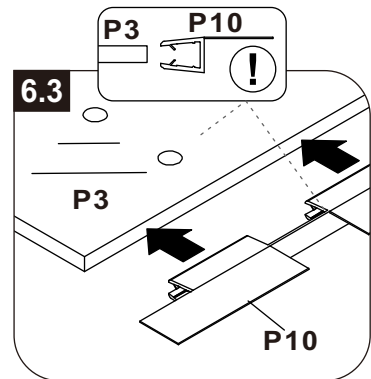
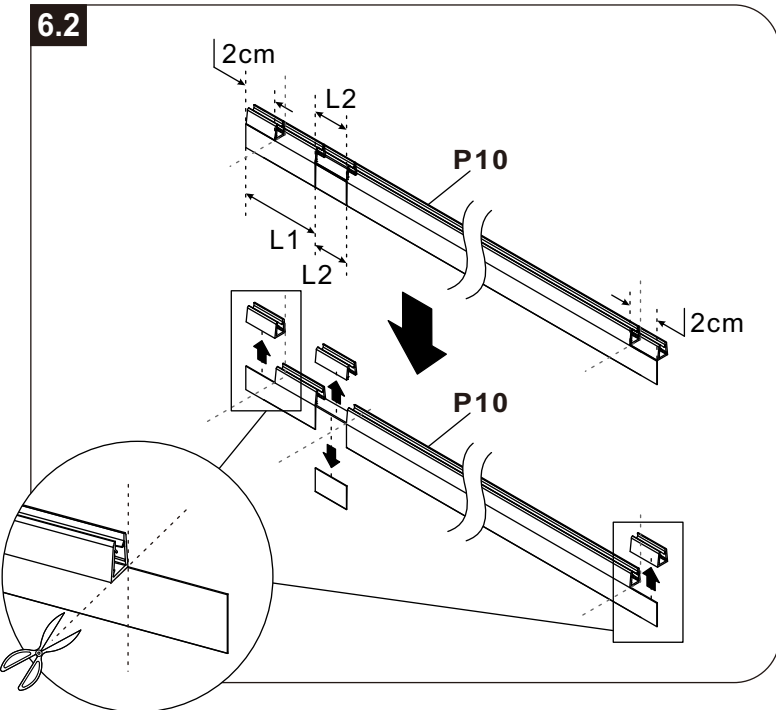


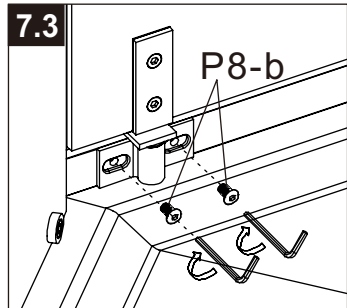
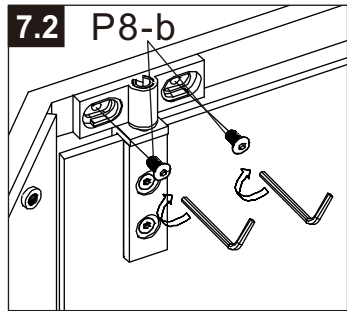
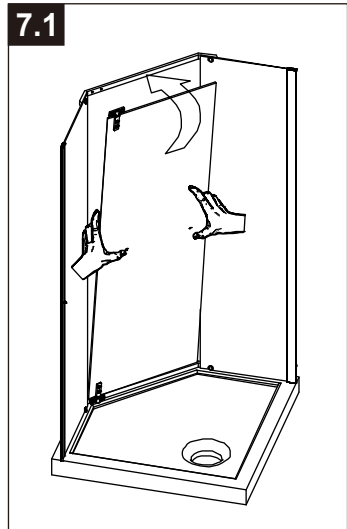
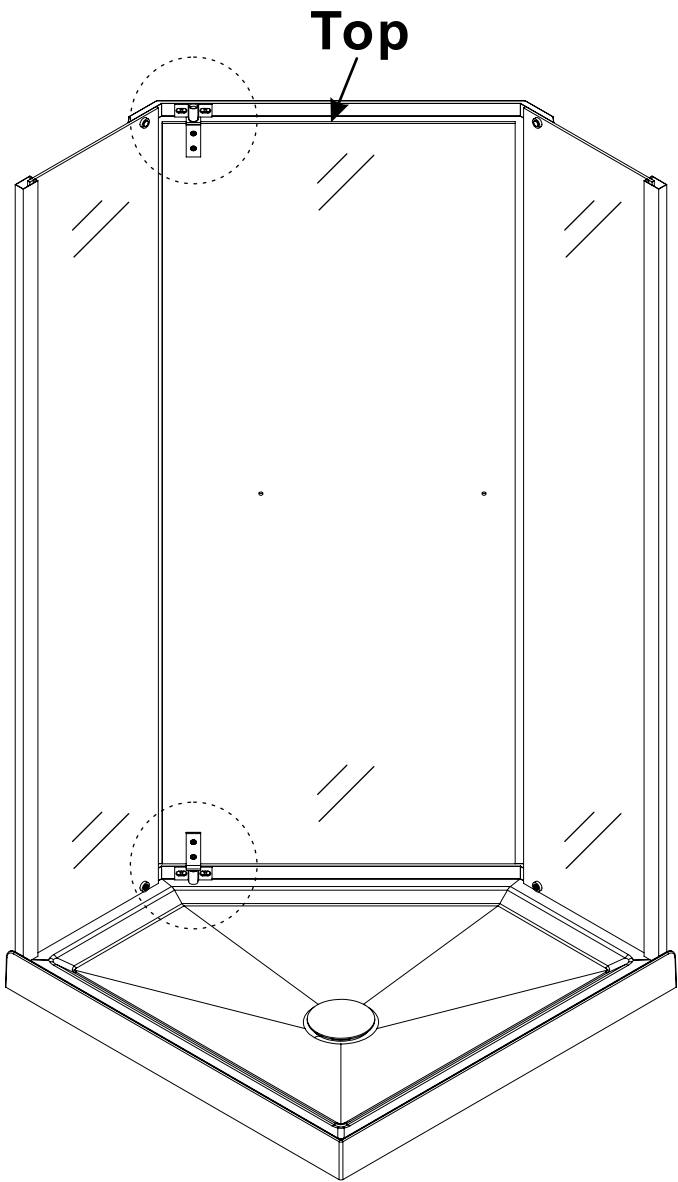
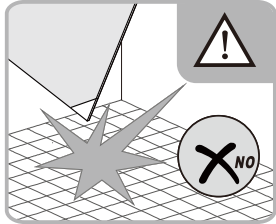
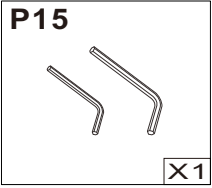


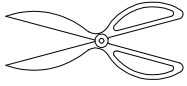
**6**



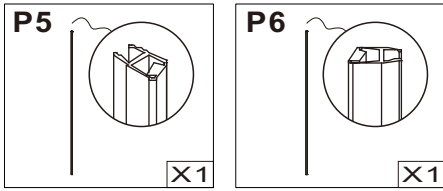
**!** Cut the sealing strip. Shown in Fig 6.2 to cut the two ends of the hard part (2cm). Leave the soft part. Insert the sealing strip at the bottom of the glass and install the pivot in Fig. 6.3, 6.4.



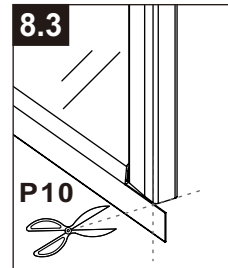
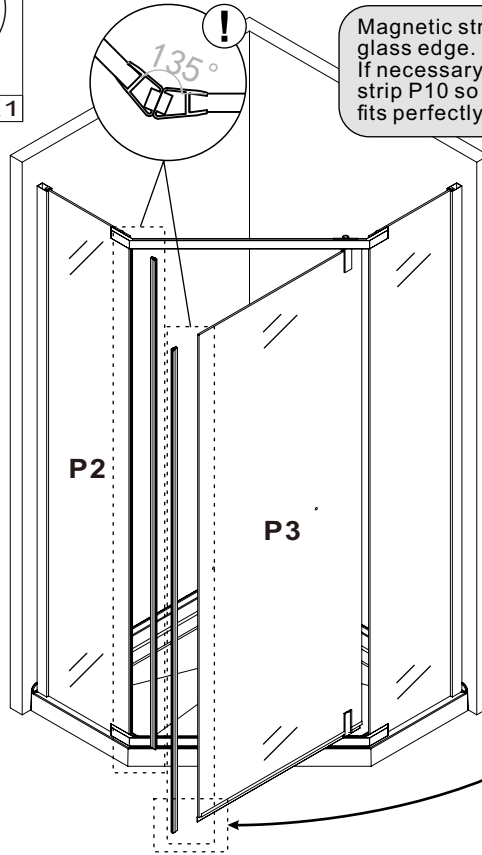
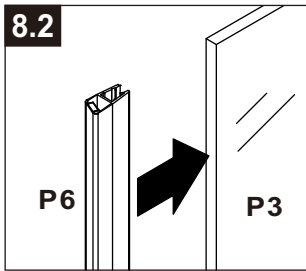
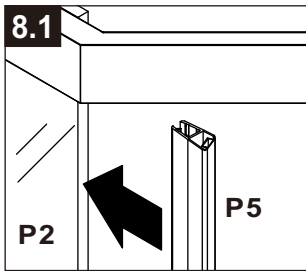




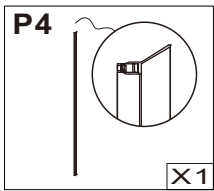
# 8



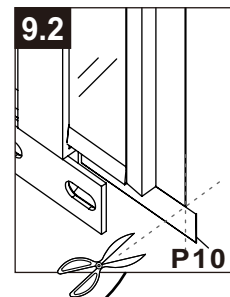
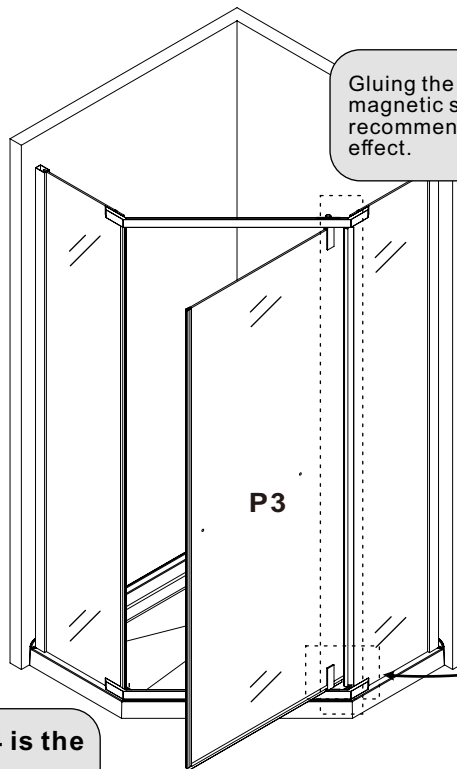
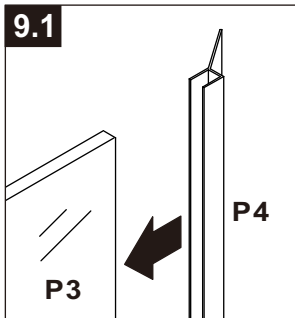
Magnetic strip P5,P6 inset into the corresponding glass edge. Fig 8.1, 8.2.  
If necessary, cut the soft edge of the sealing strip P10 so that the intersection of P6 and P10 fits perfectly. Fig8.3.



# 9



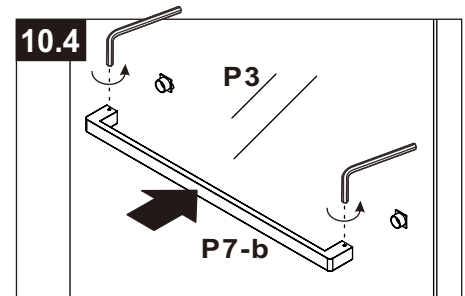
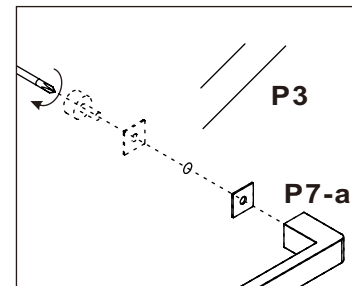
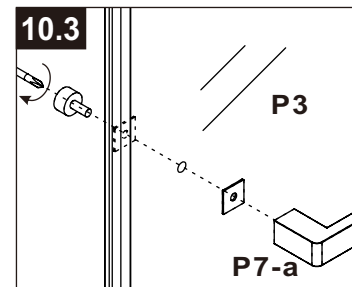
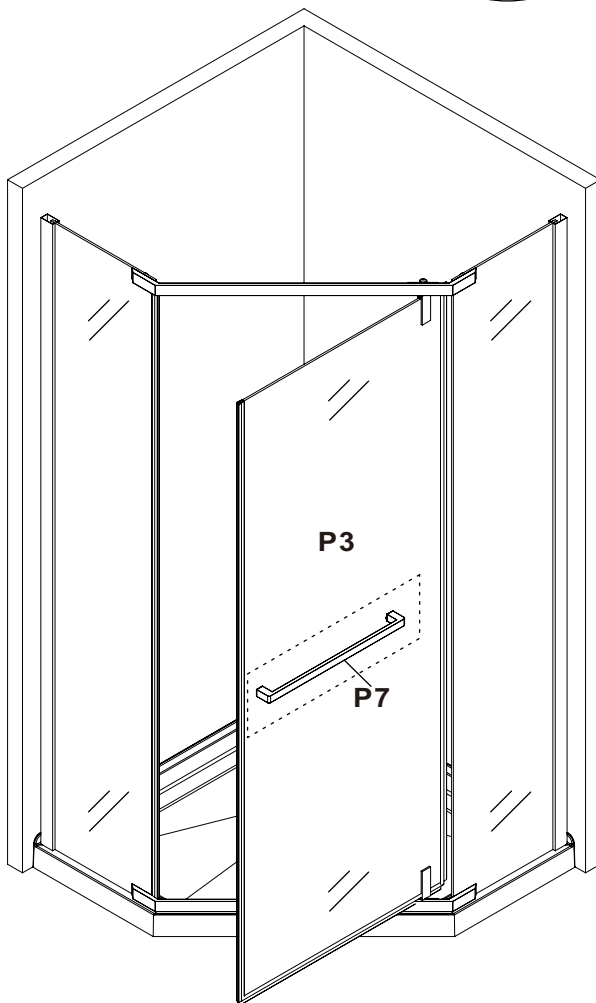
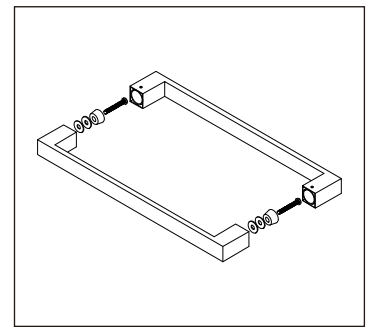
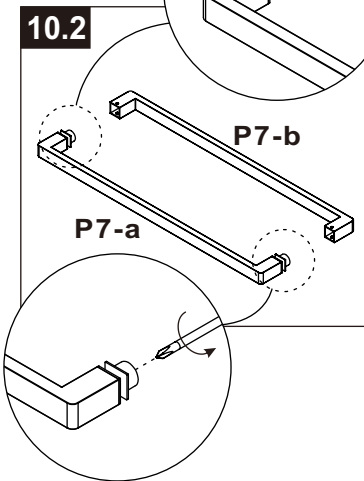
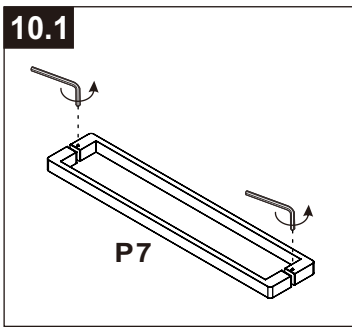
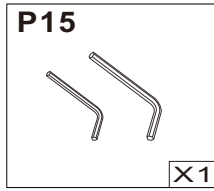
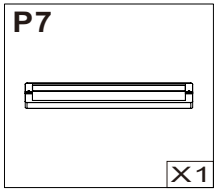
Gluing the sealing strip P10 soft edge and the magnetic strip P6 with glass cement is recommended to obtain a better water blocking effect.

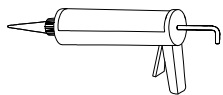


**!** The treatment of sealing strip P4 is the same as magnetic strip P6.

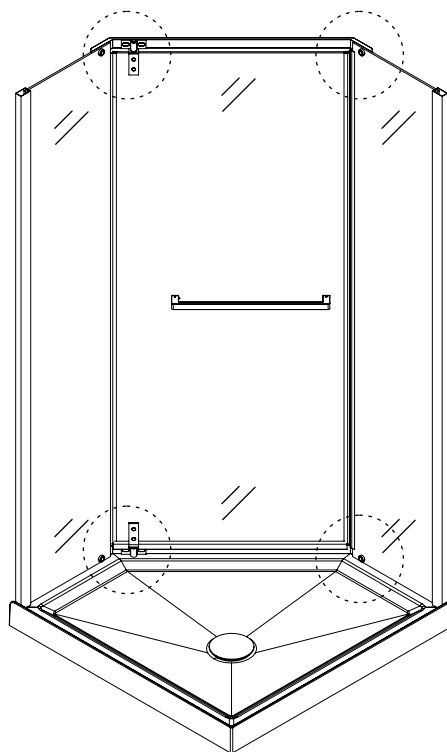
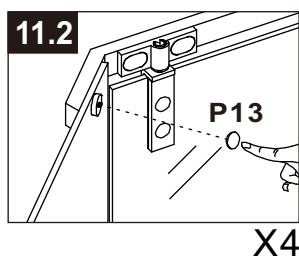
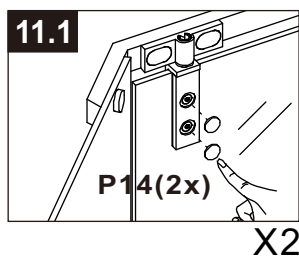
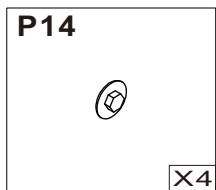
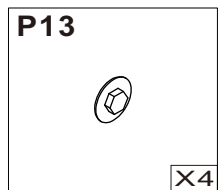


# 10





**11**



**12**

