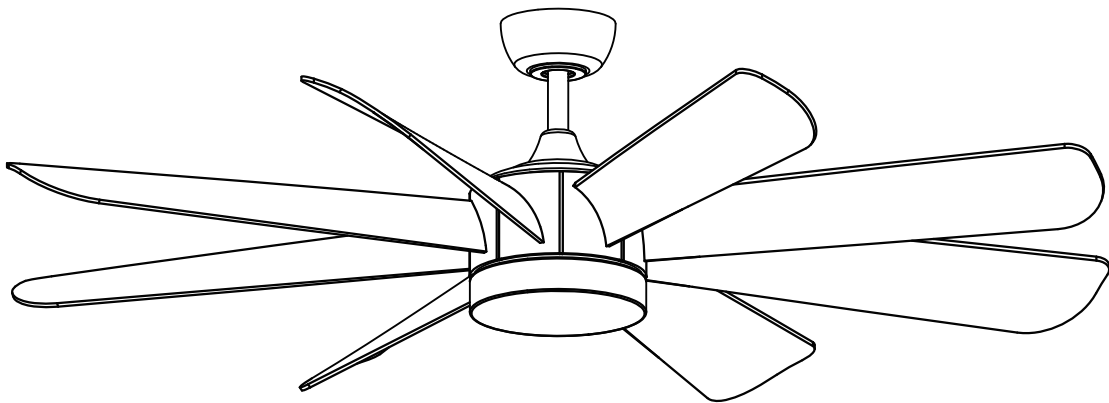


PRODUCT NAME: FL3180BN

Please consult your electrician for hanging fixture and wiring.

INSTALLATION GUIDE  
60-INCH CEILING FAN



Remote control battery model.



AAA

Model : AAA



AAA

Voltage : 1.5V x2

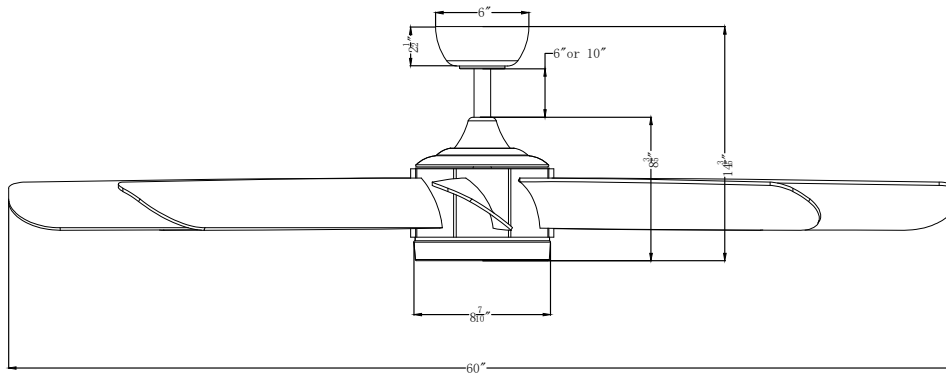
Note: The package does not  
including battery.

Please read and follow all the Instruction carefully before using this product

[service@velayhome.com](mailto:service@velayhome.com)

Tel: 1-302-281-1886

## WARNING: SHUT POWER OFF AT FUSE OR CIRCUIT BREAKER



### THANK YOU FOR YOUR PURCHASE

Thank you for purchasing this quality product. To ensure correct function and safety, please read and save all instructions before using the product.

### SAFETY TIP

1. To avoid possible electric shock, turn off the electricity at the main fuse box or circuit panel before you begin the fan installation or before servicing the fan or installing accessories.
2. Read all instructions and safety information carefully before installing your fan and save these instructions.
3. Make sure all electrical connections comply with local codes or ordinances and the National Electrical Code. If you are unfamiliar with electric wiring, please use a qualified and licensed electrician.
4. Make sure you have a location selected for your fan that allows clear space for the blades to rotate, and at least seven (7) feet of clearance between the floor and the fan blade tips. The fan should be mounted at least thirty (30) inches from walls or other upright structures.
5. **WARNING:** The outlet box and ceiling support joist used must be securely mounted, and capable of supporting at least 100 pounds. To reduce the risk of fire, electric shock or personal injury, mount to the outlet box marked acceptable for fan supported and use mounting screws provided with the outlet box. The box must be supported directly by the building structure.
6. **WARNING:** To reduce the risk of fire, electric shock or personal injury, mount to outlet box marked "acceptable for fan support" and use mounting screws provided with the outlet box. Most outlet boxes commonly used for the support of lighting fixtures are not acceptable for fan support and may need to be replaced. Consult a qualified electrician if in doubt.
7. Electrical diagrams are for reference only. Light kits that are not packed with the fan must be UL listed and marked suitable for use with the model fan you are installing. Switches must be UL general use switches. Refer to the instructions packaged with the light kits and switches for proper assembly.
8. After installation is complete, check that all connections are absolutely secure.
9. After making electrical connections, spliced conductors should be turned upward and pushed carefully up into the outlet box. The wires should be spread apart with the grounded conductor and the equipment-grounding conductor on one side of the outlet box.
10. **WARNING:** To reduce the risk of electrical shock and fire, do not use this fan with any solid-state fan speed control device, or rheostat.
11. Do not separate the reverse switch until the fan has come to a complete stop.
12. Do not insert anything into the fan blades while they are rotating.
13. **WARNING:** To reduce the risk of personal injury, do not bend the blade brackets (also referred to as "flanges") during assembly or after installation. Do not insert objects in the path of the blades.
14. To avoid personal injury or damage to the fan and other items, be cautious when working around or cleaning the fan.
15. Do not use water or detergent when cleaning the fan or fan blades. A dry dust cloth or lightly dampened cloth will be suitable for most cleaning.

NOTE: The important safety precautions and instructions appearing in the manual are not meant to cover all possible conditions and situations that may occur. It must be understood that common sense and caution are necessary factors in the installation and operation of this fan.

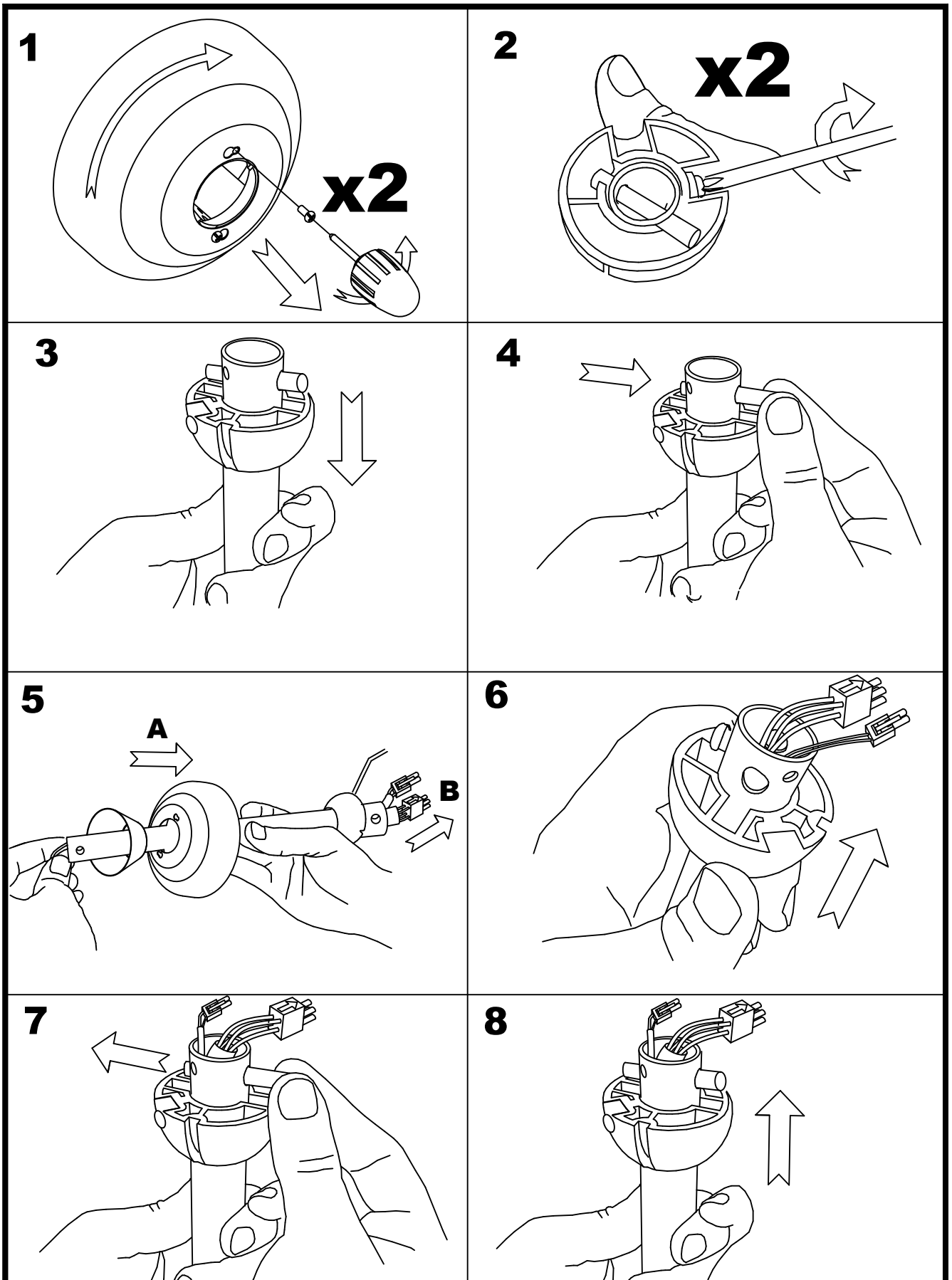
NOTE: This product is not intended for use by persons (including children) with reduced physical, sensory or mental capabilities are different or are impaired, or lack of experience or knowledge, unless such persons are supervised or trained to operate the appliance by a person responsible for their safety.

NOTE: Children should be supervised to ensure that they do not use appliances as a toy.

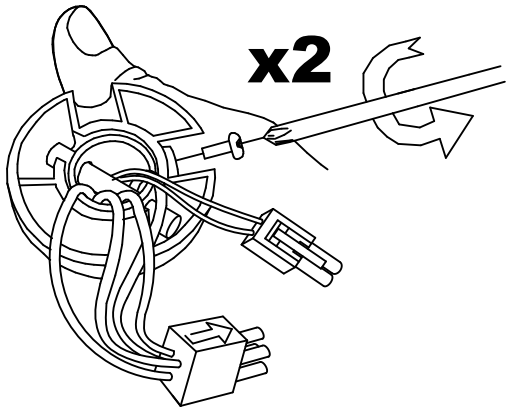
### TECHNICAL INFORMATION

Model NO.	Rated Voltage	Rated Power (motor)	Lighting
FL3180BN	110-120 VAC	35W (+/-5W)	18W LED 3000K 4000K 5000K

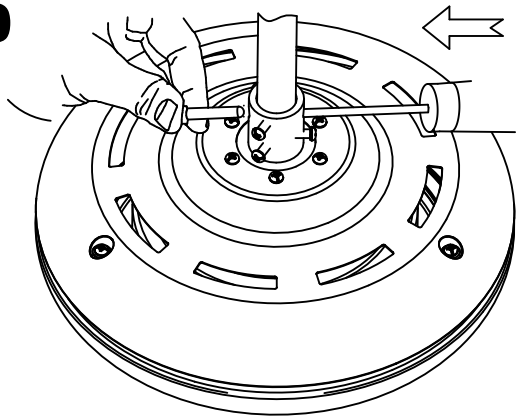
INSTALLATION INSTRUCTION:



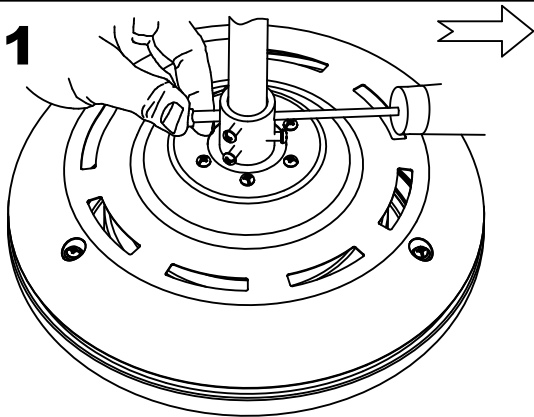
9



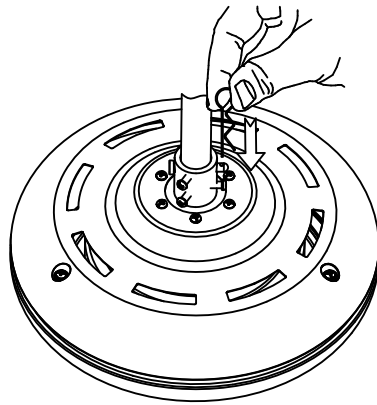
10



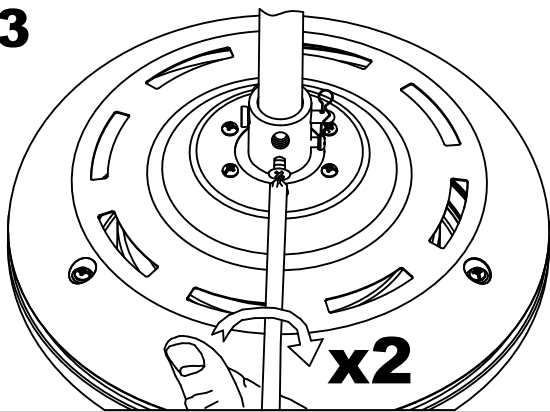
11



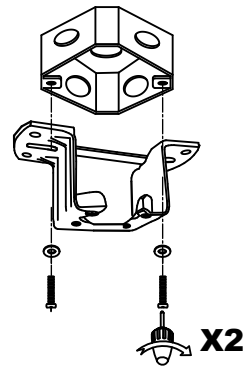
12



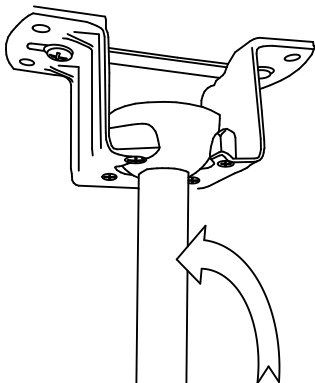
13



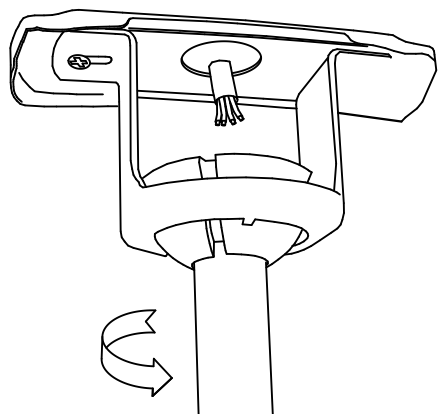
14



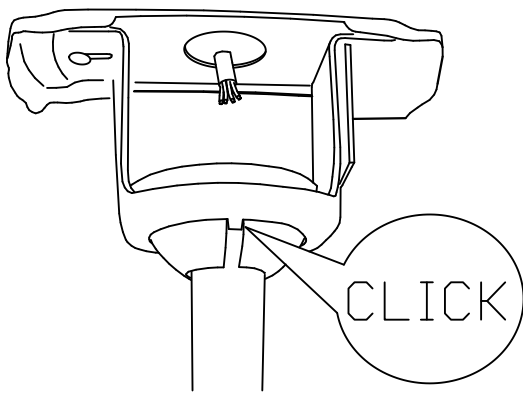
15



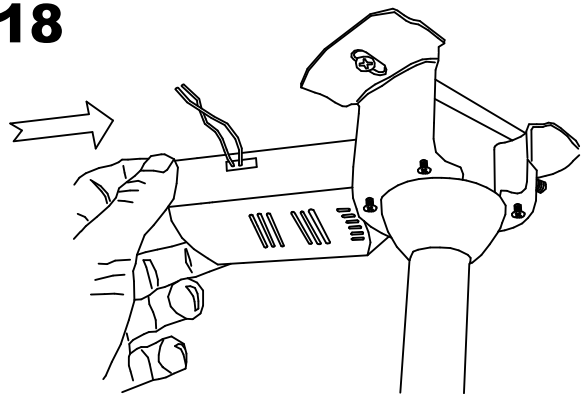
16



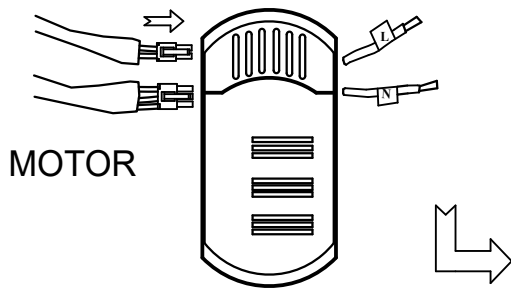
**17**



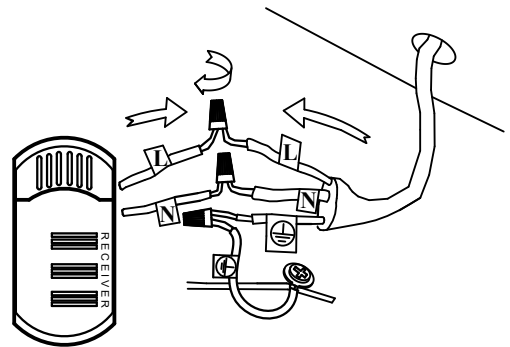
**18**



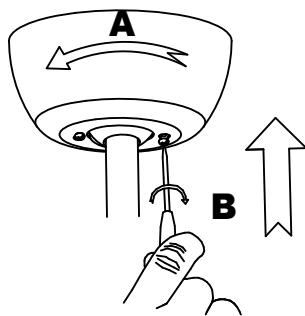
**19**



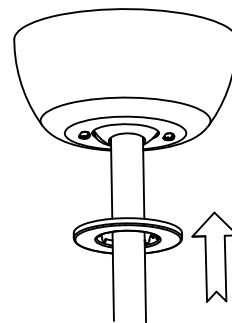
**20**



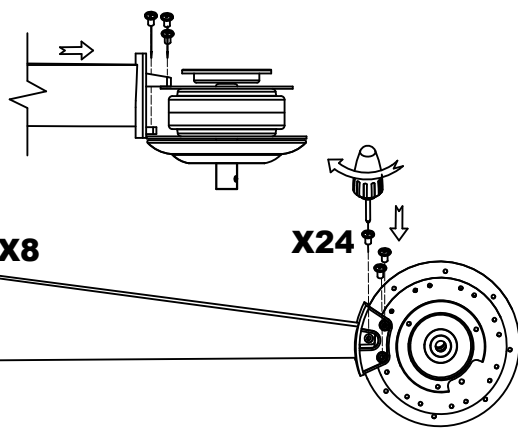
**21**



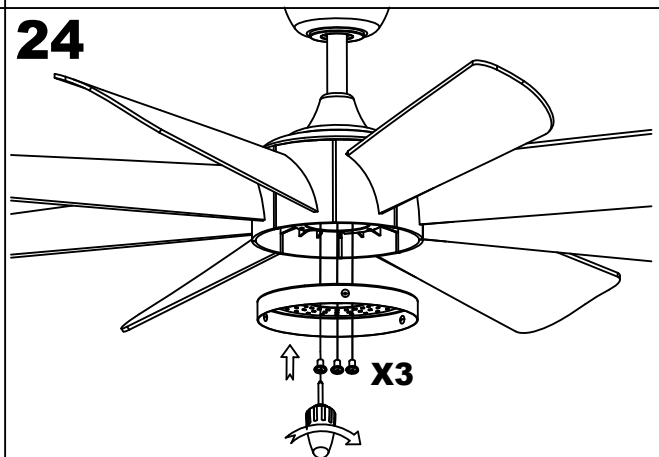
**22**

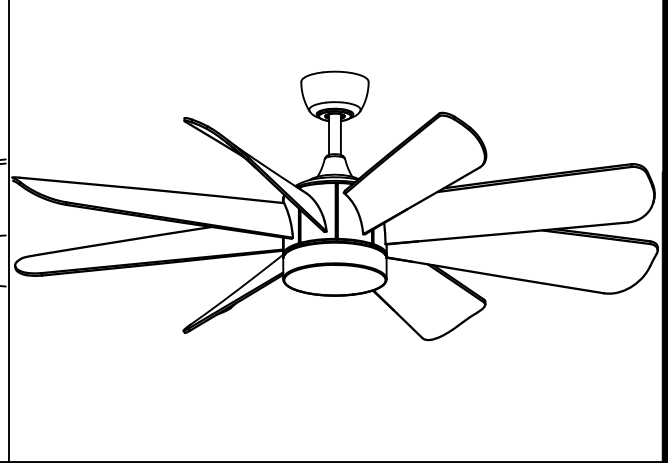
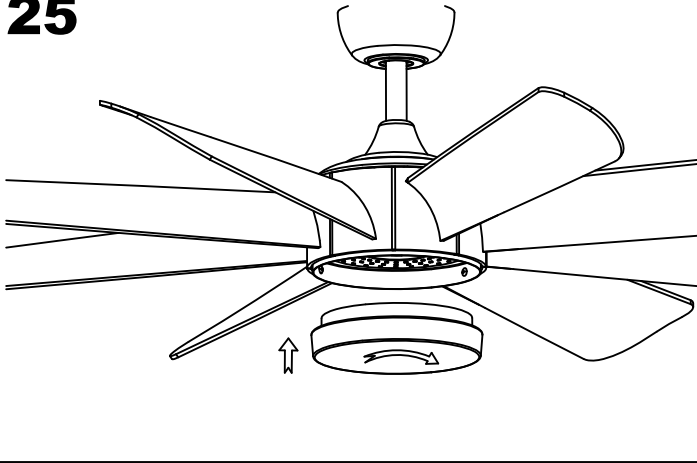


**23**



**24**

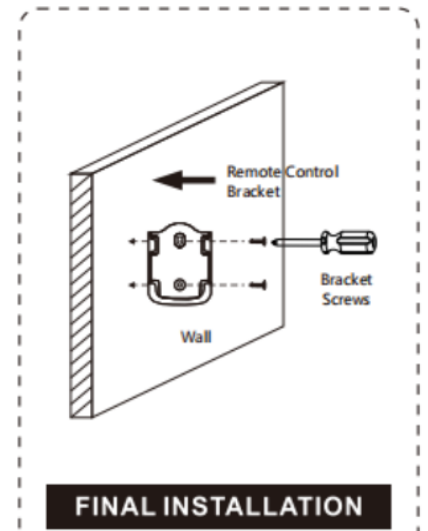
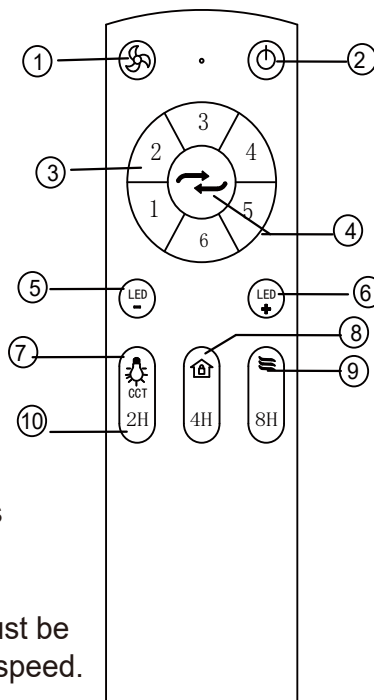




## FUNCTIONS OF THE REMOTE CONTROL

### Operation buttons on the panel of the remote control transmitter

- ①-To turn fan on / off
- ②-To turn light on / off
- ③-Fan speeds: To turn fan ON 1 (lowest) to 6 (highest)
- ④-Reverse function for winter & summer
- ⑤-Reduce the brightness
- ⑥-Increase the brightness
- ⑦-Change Color temperature (3000K,4000K,5000K)
- ⑧-Vacation mode: switch on the light kit 5 minutes each 2 hours
- ⑨-Breeze: fan speeds automatic cycle between 1 to 6 speeds  
To link this function, the fan must be previously turning at a certain speed.  
Pressing any button afterward will override this feature.
- ⑩-Timer: Fan stops after 2h/4h/8h  
If any button is pressed after a shutdown schedule has been selected, it will be cancelled.



Note: If you wish to use the remote control bracket from remote pack on a wood surface, install bracket screws from remote pack through bracket and into the desired installation site.

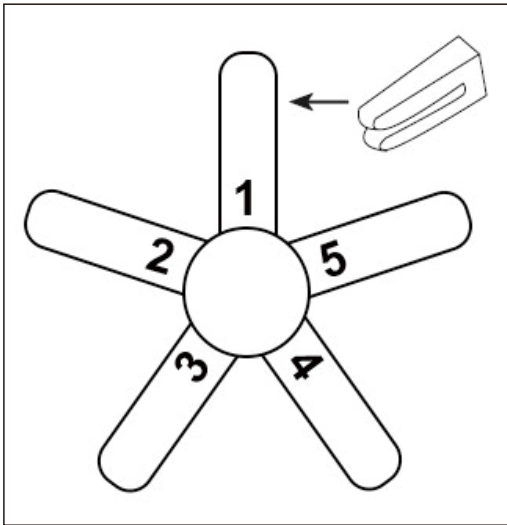
### Batteries:

The remote control batteries are not included.

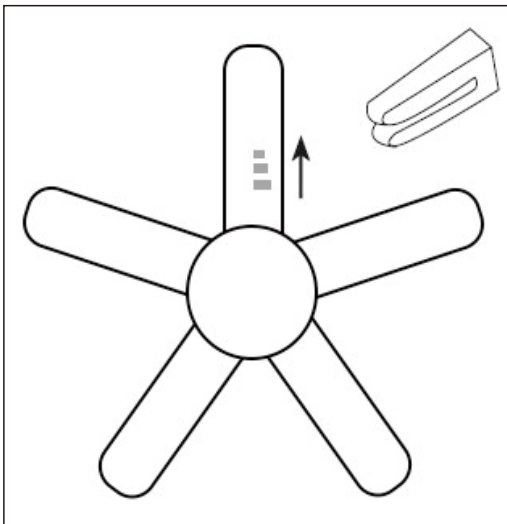
The required battery model is 2\*AAA

\*Remove the batteries from the controller if it is not going to be used for a long time\*

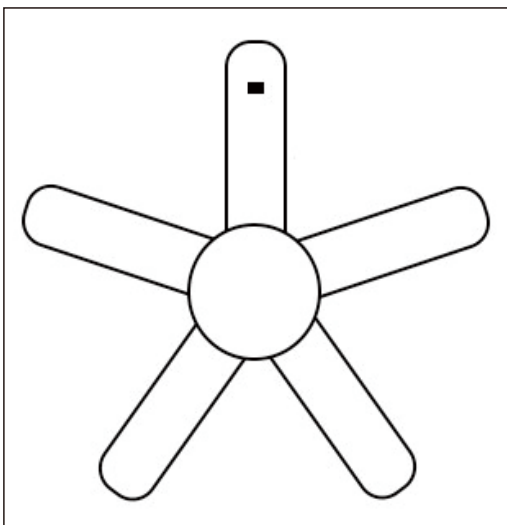
# Fans Balance



Put the clip in the center of a blade.  
Turn on the fan and if the shake persists,  
put the clip in another blade until the shake  
is reduced. Then this blade will need the  
counterweight.



Place the clip on the blade that needs the  
counterweight and try the best place to  
place it, from the center to the tip of the  
blade, until the wobble disappears.



Paste the counterweight on the surface of  
the blade which near the clip, remove the  
clip and test the fan. If it keep staggering,  
put another counterweight. If it gets worse,  
try another area to place it.  
Please wait patiently until the fan is balanced.

# Care and Cleaning



**WARNING:** Make sure the power is off before cleaning your fan.

- Because of the fan's natural movement, some connections may become loose. Check the support connections, brackets, and blade attachments twice a year. Make sure they are secure. It is not necessary to remove the fan from the ceiling.
- Clean your fan periodically to help maintain its new appearance over the years. Do not use water when cleaning, as this could damage the motor or the wood, or possibly cause an electrical shock. Use only a soft brush or lint-free cloth to avoid scratching the finish. The plating is sealed with a lacquer to minimize discoloration or tarnishing.
- You can apply a light coat of furniture polish to the wood for additional protection and enhanced beauty. Cover small scratches with a light application of shoe polish.
- You do not need to oil your fan. The motor has permanently-lubricated sealed ball bearings.

# Troubleshooting

Problem	Solution
The fan will not start	<ul style="list-style-type: none"> <li><input type="checkbox"/> Check the main and branch circuit fuses or breakers</li> <li><input type="checkbox"/> Check the line wire connections to the fan and switch wire connections in the switch housing.</li> </ul>
The fan is noisy	<ul style="list-style-type: none"> <li><input type="checkbox"/> Ensure all motor housing screws are snug.</li> <li><input type="checkbox"/> Ensure the screws that attach the fan blades bracket to the motor hub are tight</li> <li><input type="checkbox"/> Ensure the wire nut connections are not rating against each other or the interior wall of the switch housing.</li> <li><input type="checkbox"/> Allow a 24-hour "breaking in" period. Most noises associated with a new fan disappear during this time.</li> <li><input type="checkbox"/> If you are using the Ceiling Fan light kit, ensure the screws securing the glass ware are tight.</li> <li><input type="checkbox"/> Check that the light bulbs are also secure.</li> <li><input type="checkbox"/> Ensure the canopy is a short distance from the ceiling, it were used not touch the ceiling</li> <li><input type="checkbox"/> Ensure your outlet box is secure and rubber isolator pads were used between the mounting plate and outlet box.</li> </ul>
The fan wobbles	<ul style="list-style-type: none"> <li><input type="checkbox"/> Check that all blade and blade arm screws are secure.</li> <li><input type="checkbox"/> Most fan wobble problems are caused when blade levels are unequal.</li> <li><input type="checkbox"/> Check this level by selecting a point on the ceiling above the tip of one of the blades.</li> <li><input type="checkbox"/> Measure from a point on the center of each blade to the point on the ceiling.</li> <li><input type="checkbox"/> Measure this distance. Rotate the fan until the next blade is positioned for measurement</li> <li><input type="checkbox"/> Repeat for each blade. Any measurement deviation should be within 1/8 in. Run the fan for ten minutes.</li> <li><input type="checkbox"/> If the fan continues to wobble please contact Customer Service and a balancing kit will be sent to you at no charge.</li> </ul>
The light does not work	<ul style="list-style-type: none"> <li><input type="checkbox"/> Check for loose or disconnected wires in the light kit.</li> <li><input type="checkbox"/> Remove light kit and check the plug connections if they are present.</li> <li><input type="checkbox"/> If this fan uses a remote controller, make sure dip switches are setting properly and make sure the battery is effective.</li> </ul> <p>Caution: Make sure the main power is turned off before entering switch</p>