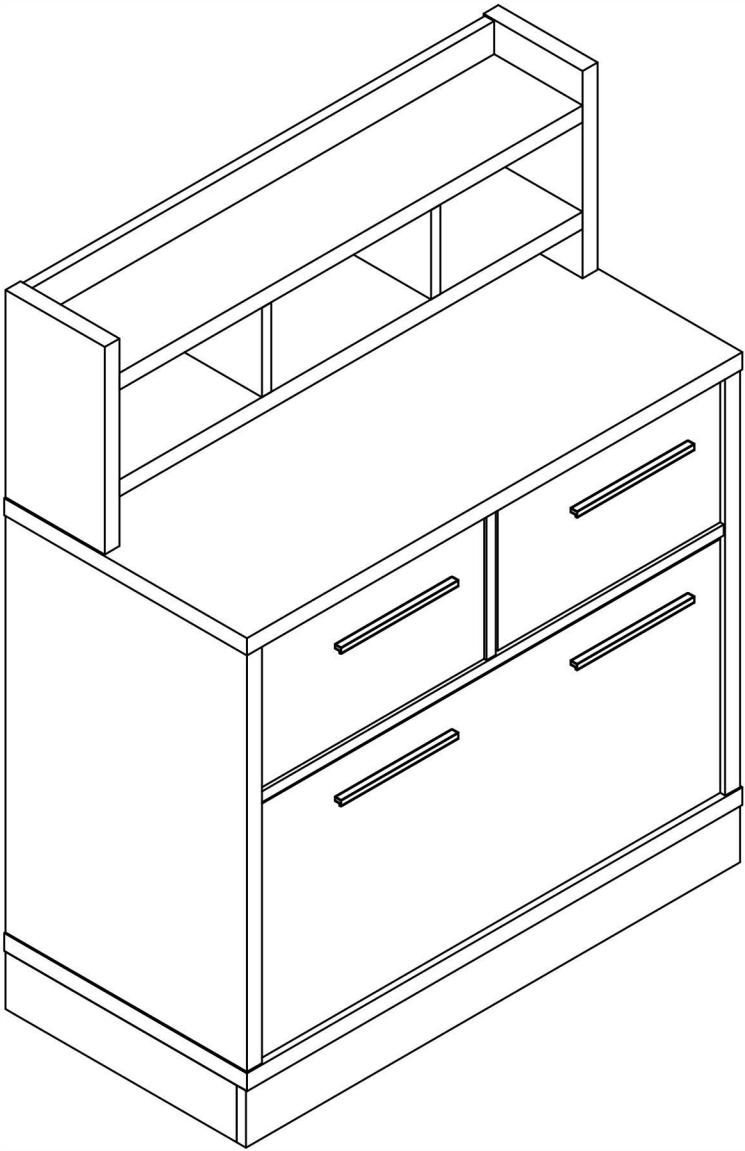
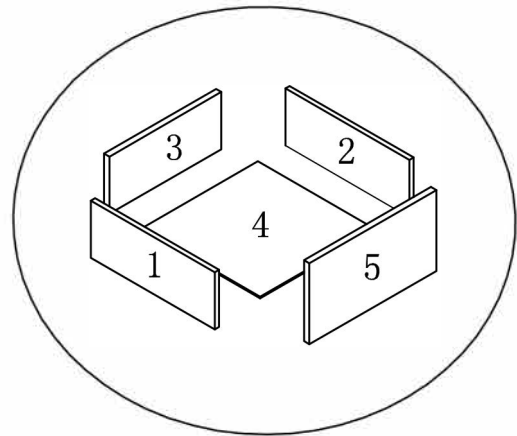
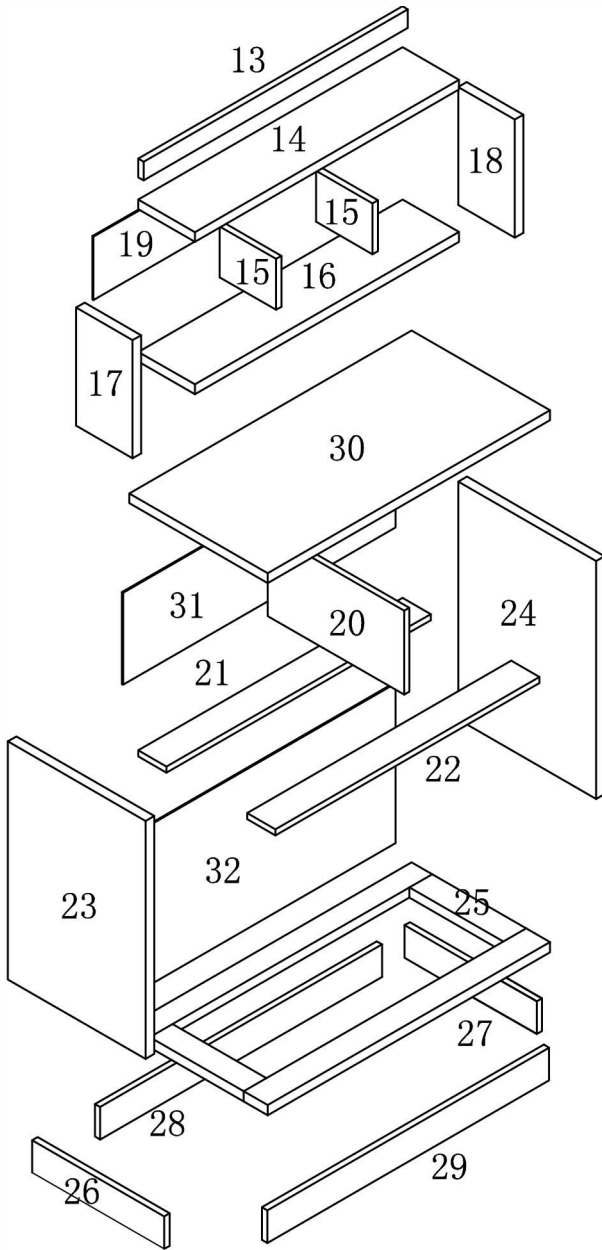


# ASSEMBLY INSTRUCTION

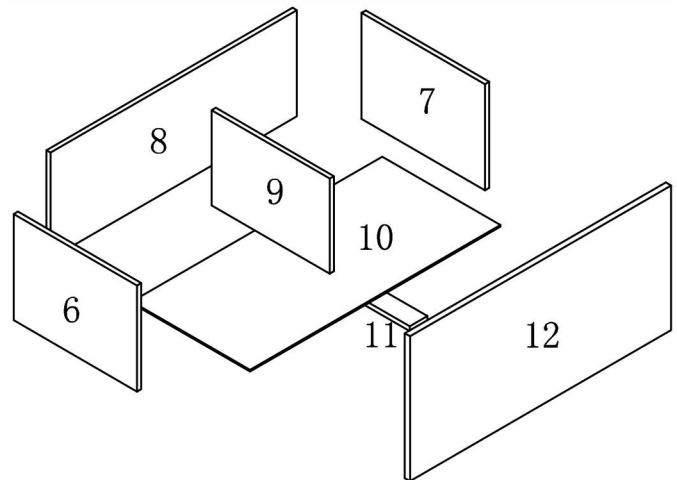
---



# PARTS IDENTIFICATION

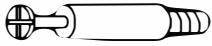



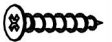


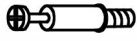







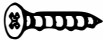



X2



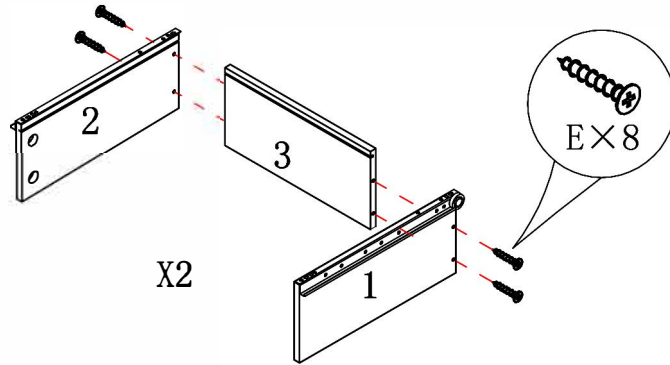
(1)	2pcs	(10)	1pc	(19)	1pc	(28)	1pc
(2)	2pcs	(11)	1pc	(20)	1pc	(29)	1pc
(3)	2pcs	(12)	1pc	(21)	1pc	(30)	1pc
(4)	2pcs	(13)	1pc	(22)	1pc	(31)	1pc
(5)	2pcs	(14)	1pc	(23)	1pc	(32)	1pc
(6)	1pc	(15)	2pcs	(24)	1pc		
(7)	1pc	(16)	1pc	(25)	1pc		
(8)	1pc	(17)	1pc	(26)	1pc		
(9)	1pc	(18)	1pc	(27)	1pc		

# HARDWARE IDENTIFICATION

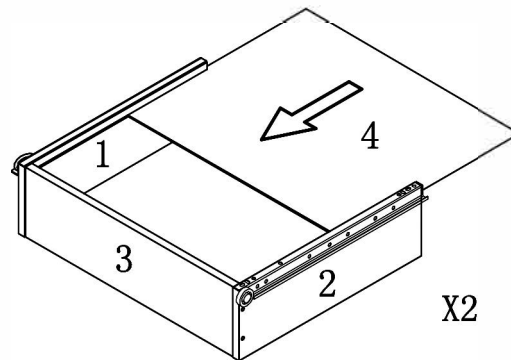
A		L29	26pcs
B		ø15	26pcs
C		ø8×25	30pcs
D		ø4×25	2pcs
E		ø4×30	17pcs
F		ø7×48	8pcs
G		Z1016	30pcs
H		L=20	14pcs
I		ø12	14pcs
J		ø6×30	5pcs
K		192#	4pcs
L		ø16	4pcs
M		ø4×20	8pcs
N		ø5×707	2pcs
O		ø18	2pcs
P		ø4×40	8pcs
Q		Glue: For securing please apply to wood dowel first before inserting into panel	1pc

# ASSEMBLY INSTRUCTION

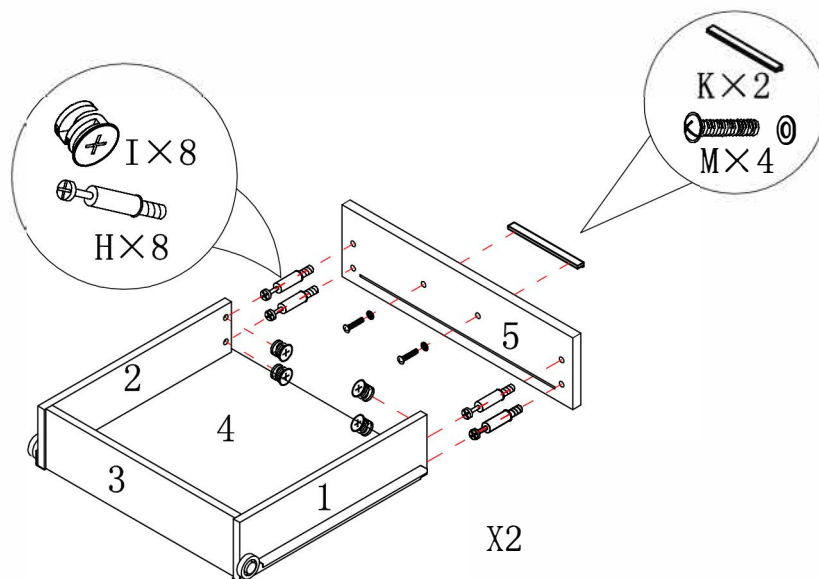
STEP 1



STEP 2

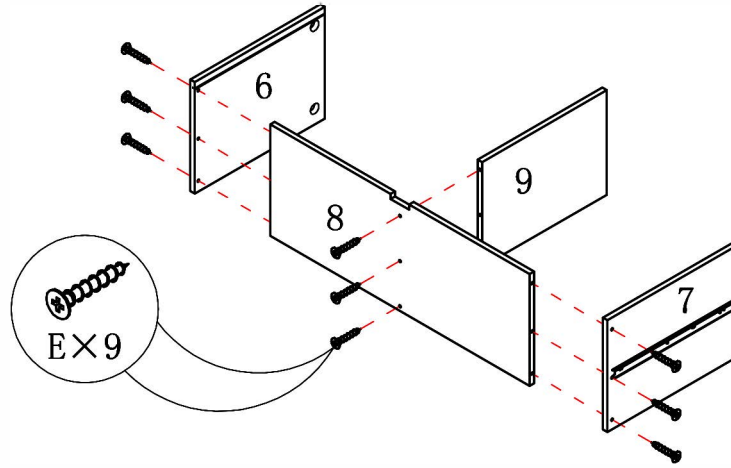


STEP 3

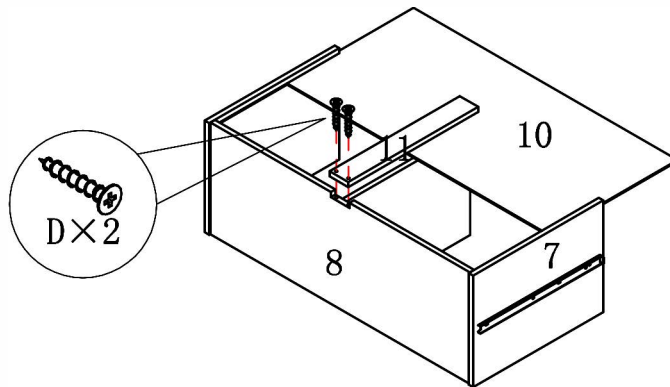


# ASSEMBLY INSTRUCTION

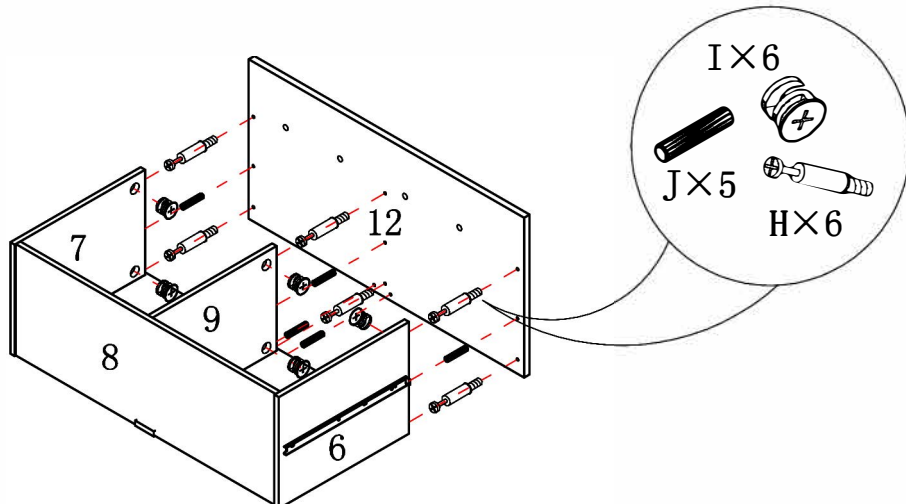
STEP 4



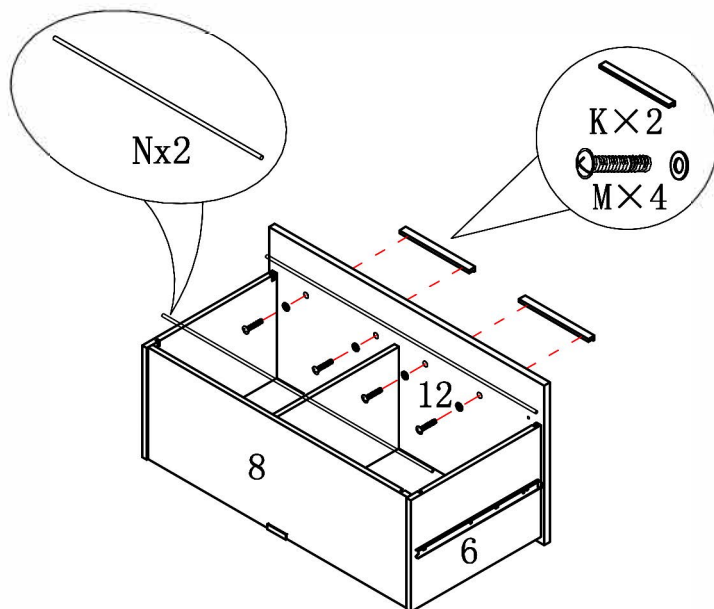
STEP 5



STEP 6

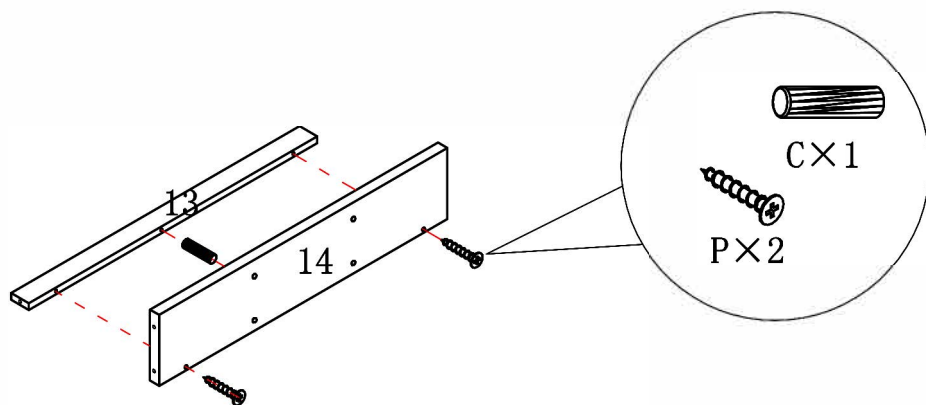


# ASSEMBLY INSTRUCTION

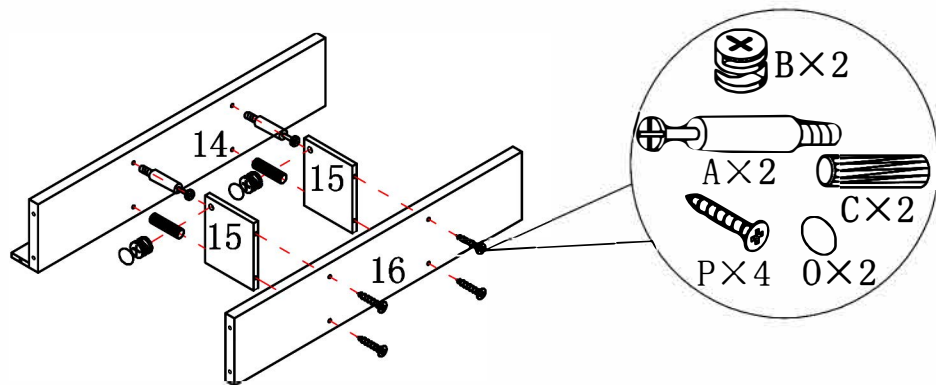


STEP 7

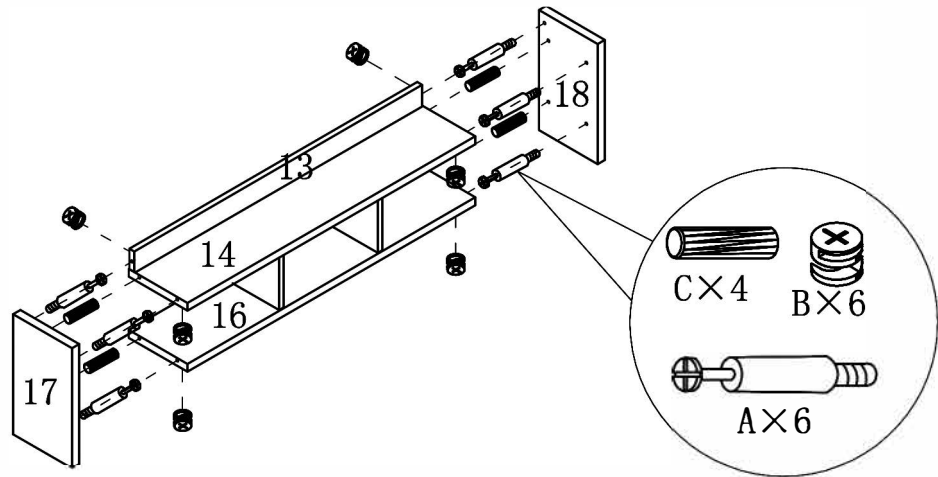
STEP 8



STEP 9

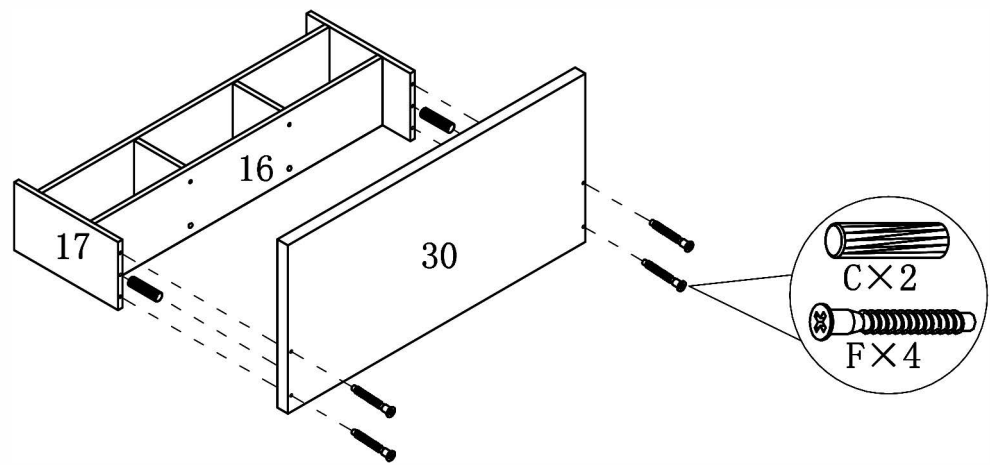


# ASSEMBLY INSTRUCTION

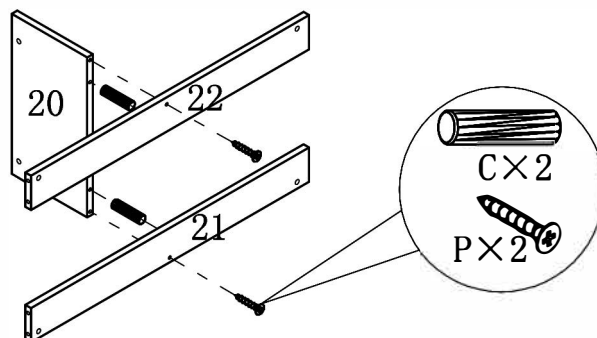


STEP 10

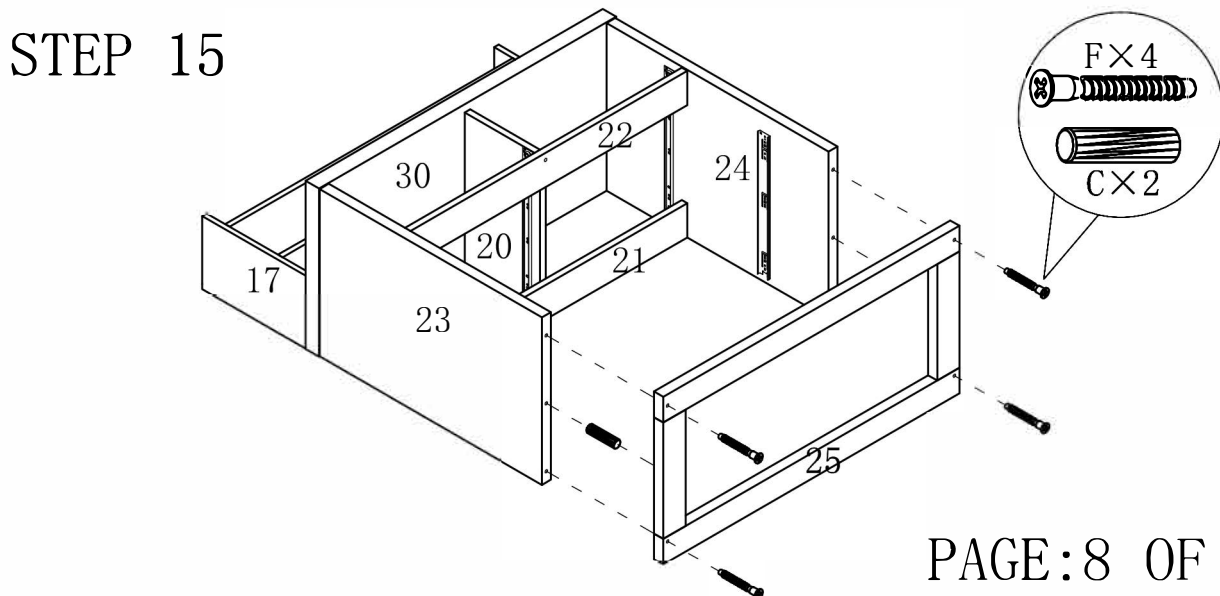
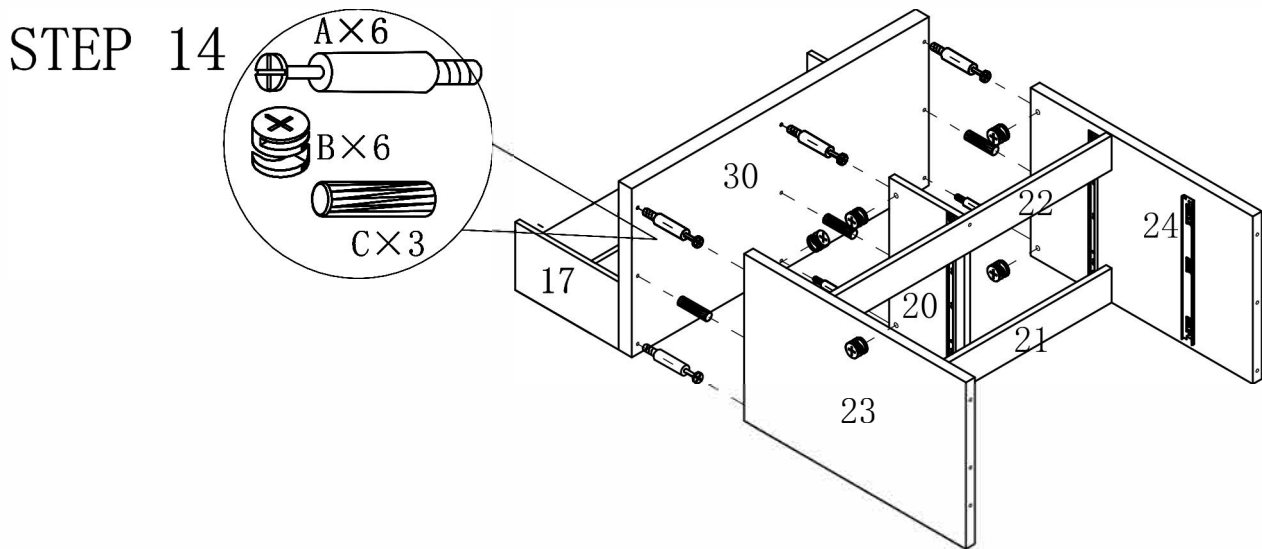
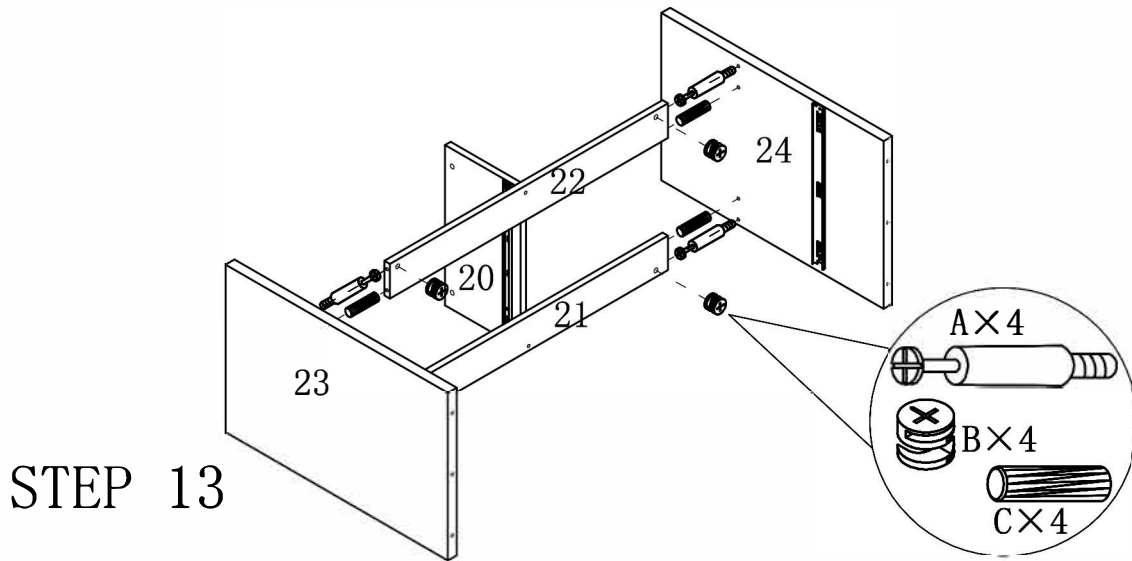
STEP 11



STEP 12

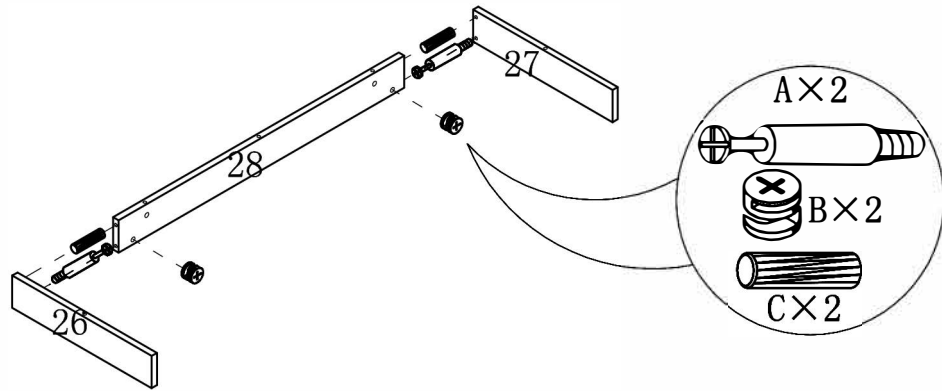


# ASSEMBLY INSTRUCTION

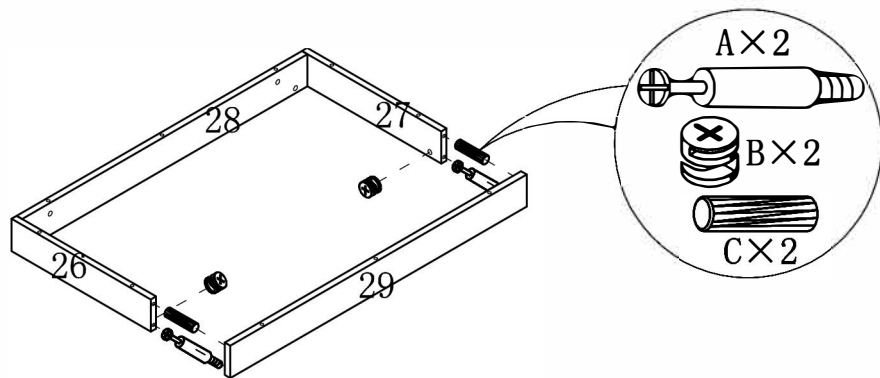


# ASSEMBLY INSTRUCTION

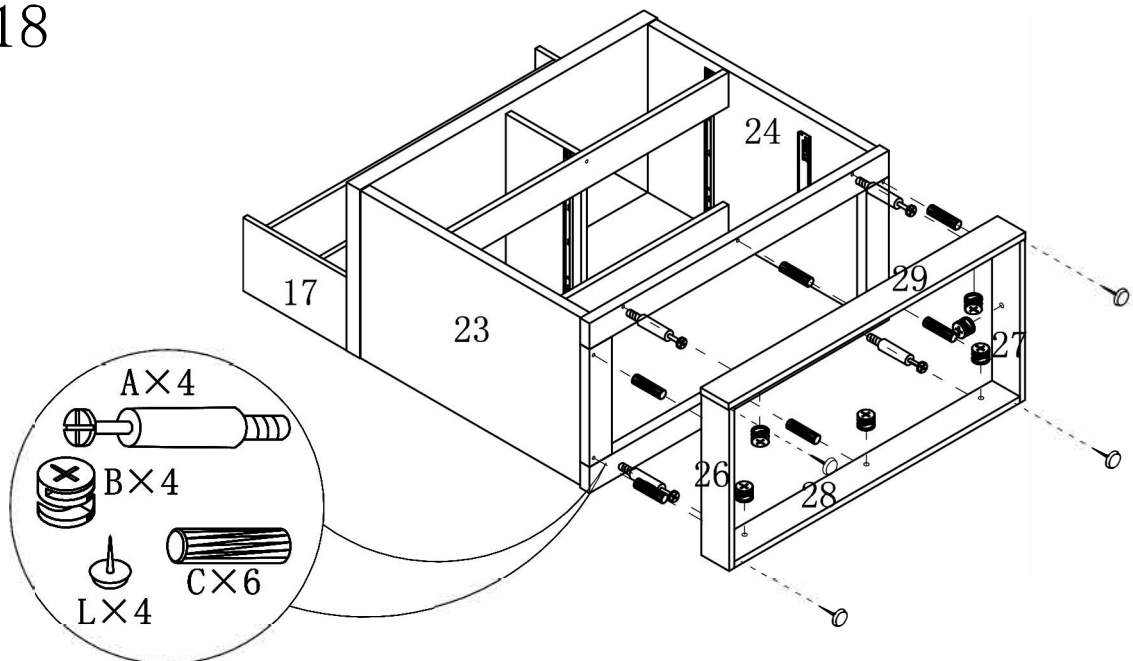
STEP 16



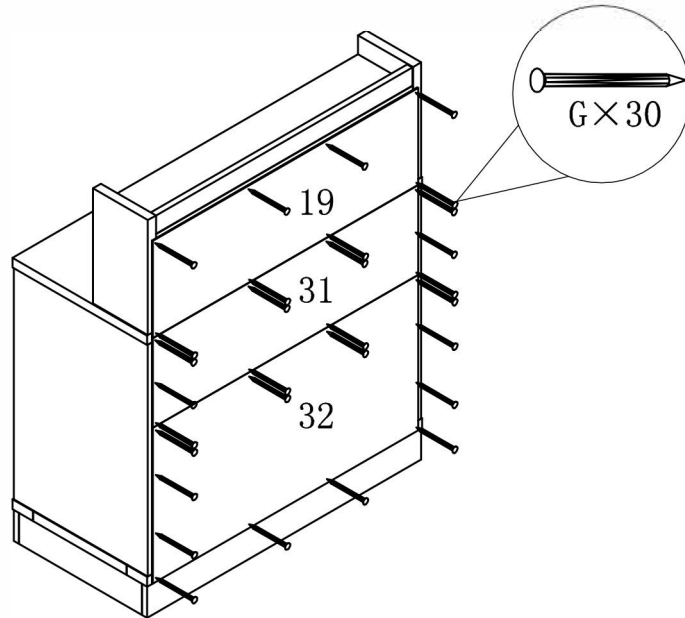
STEP 17



STEP 18



# ASSEMBLY INSTRUCTION



STEP 19

STEP 20

