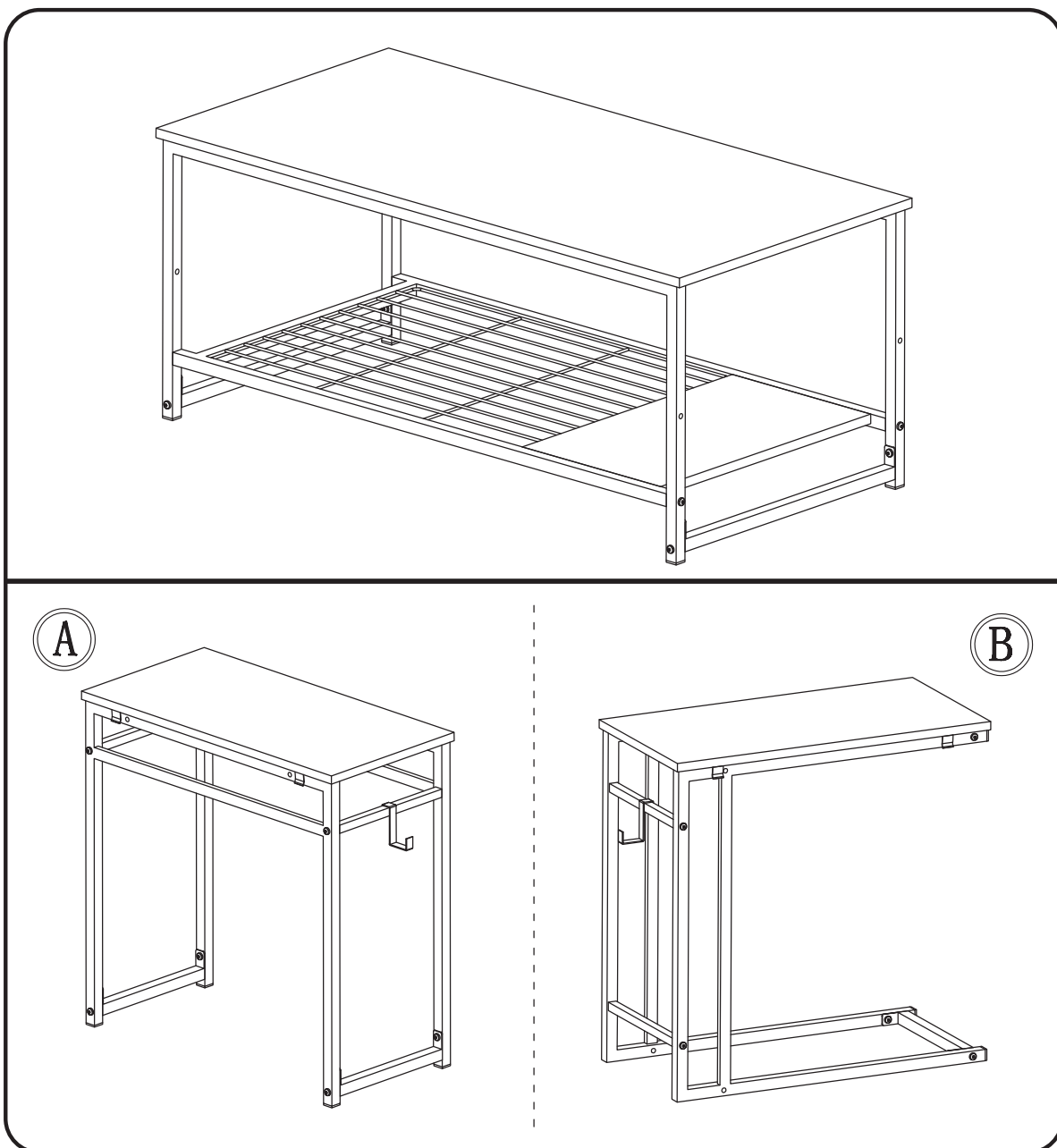


ASSEMBLY INSTRUCTION



HELPFUL HINTS

! BEFORE YOU START

- Inspect product packaging to ensure the appearance is good.
- Read the assembly instruction carefully and follow it step by step.
- To avoid any scratching, putting a soft blanket on the floor is suggested.
- Identify, sort and count all the parts with tags.
- Find out installation position according to the drawing and install it in correct steps.

! OTHER

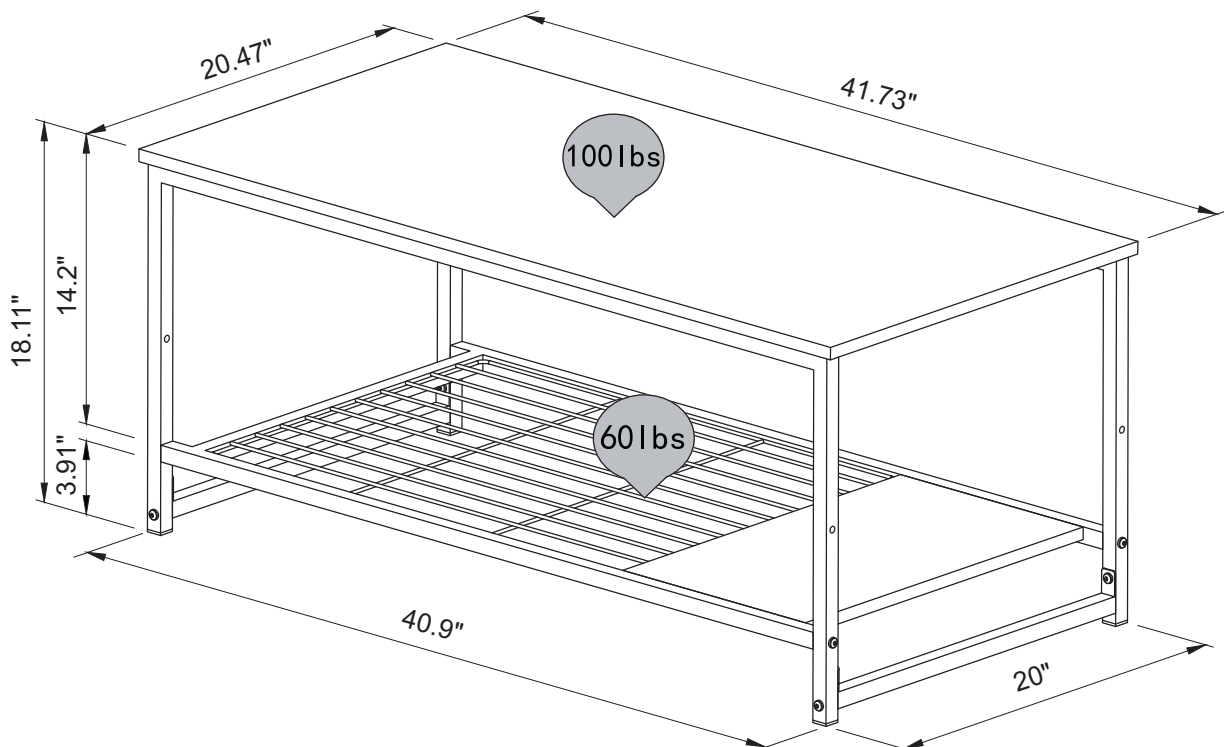
- People needed for assembly: 1-2
- Estimated assembly time: 1-1.5 hour

! CAUTION

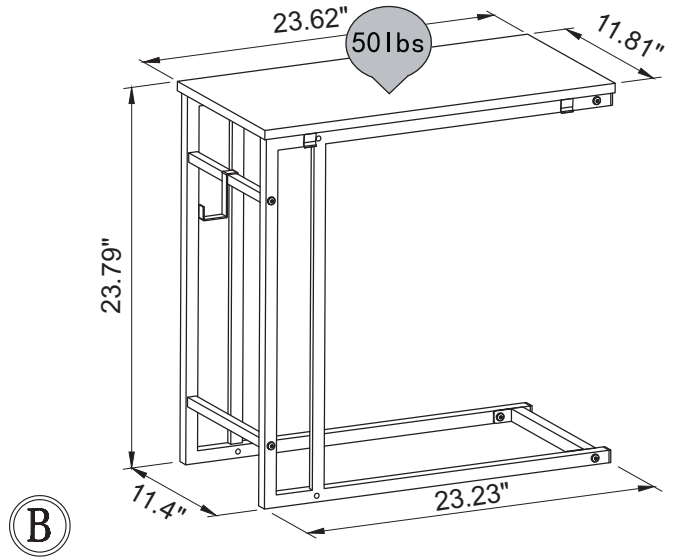
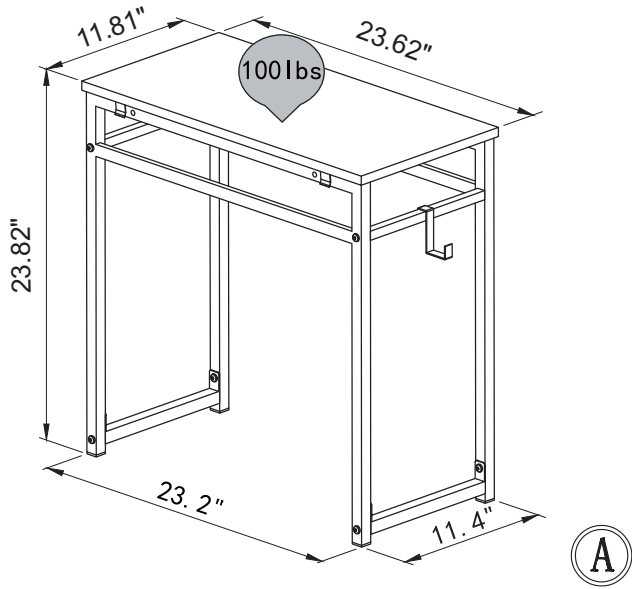
- Be cautious when using a power drill or power screwdriver.
- Please be aware to slow down and stop when screw is nearly tight.
- Do Not use any harsh chemicals or abrasive cleaners for this item.
- Push, pull or drag this item carefully.

DETAILS

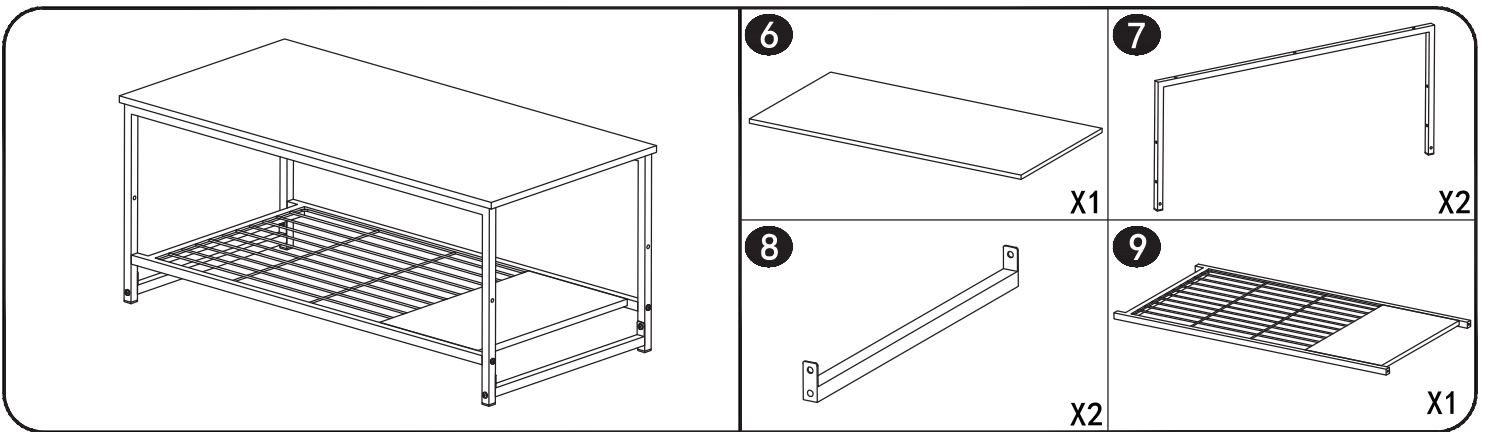
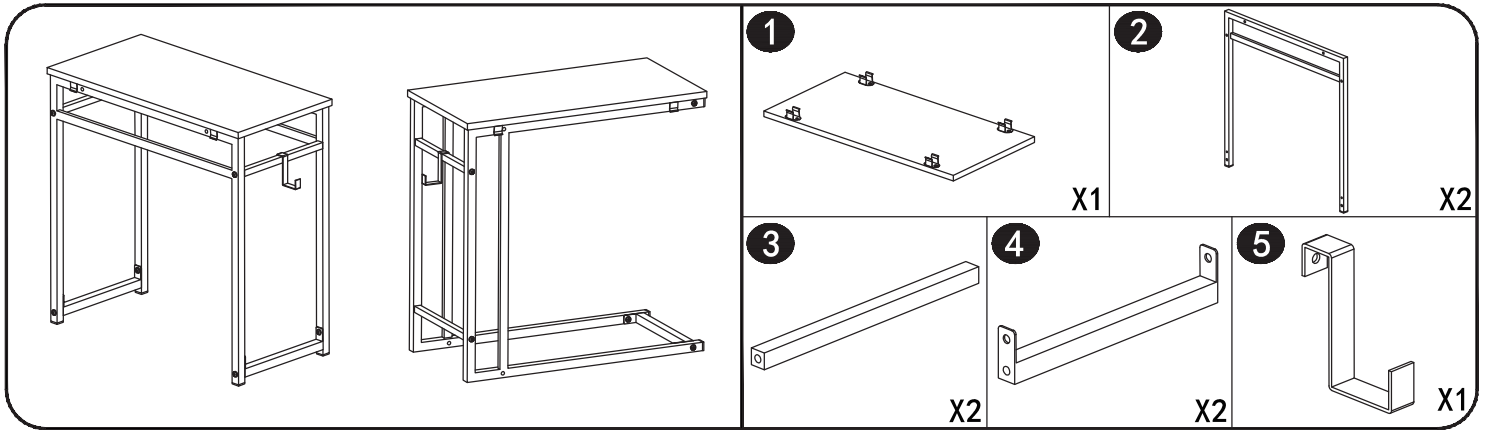
UNIT: INCH



UNIT : INCH



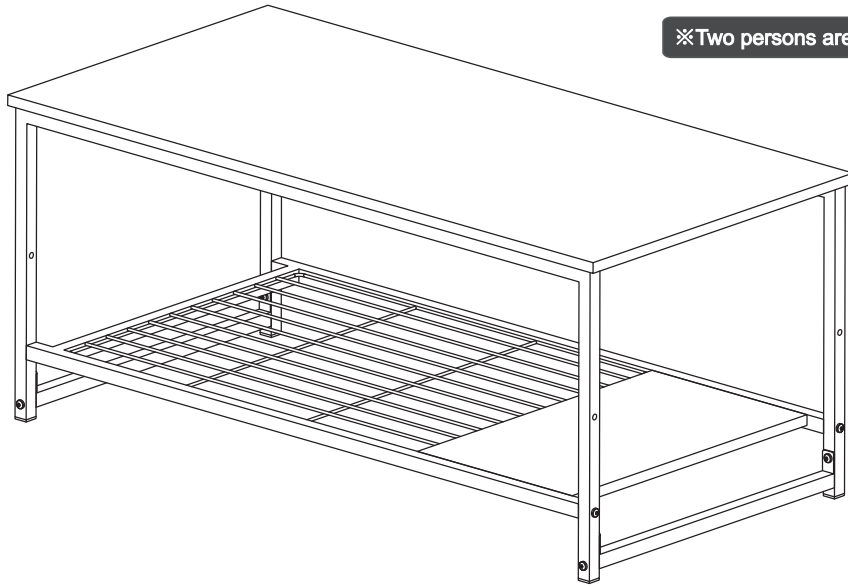
PARTS LIST



ACCESSORIES LIST

No.	PICTURE	SIZE	QTY	No.	PICTURE	SIZE	QTY
A		M6x12	8	C		M6x35	8
B		M6x30	14				
D			1				
E			8				

※Two persons are needed for assembly.

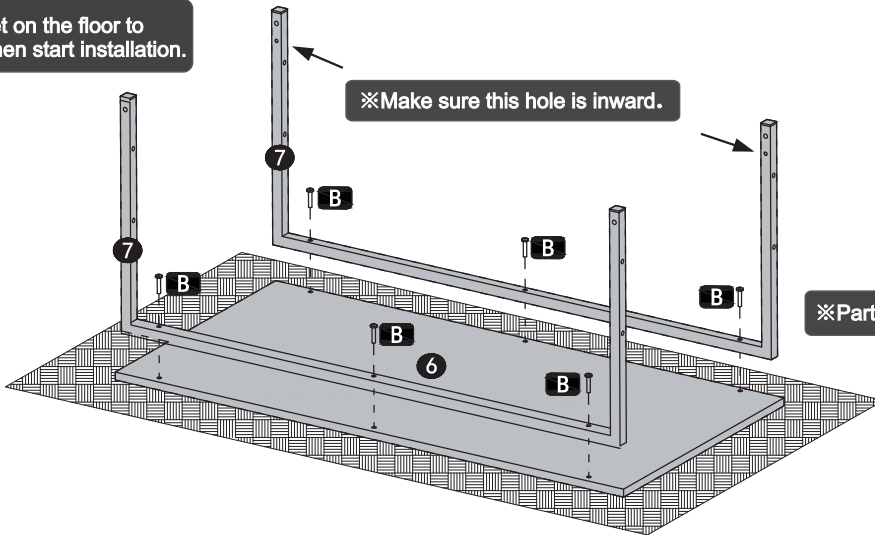


STEP 1

※Firstly, place a soft blanket on the floor to well protect the boards, then start installation.

※Make sure this hole is inward.

※Partially tighten the screws.

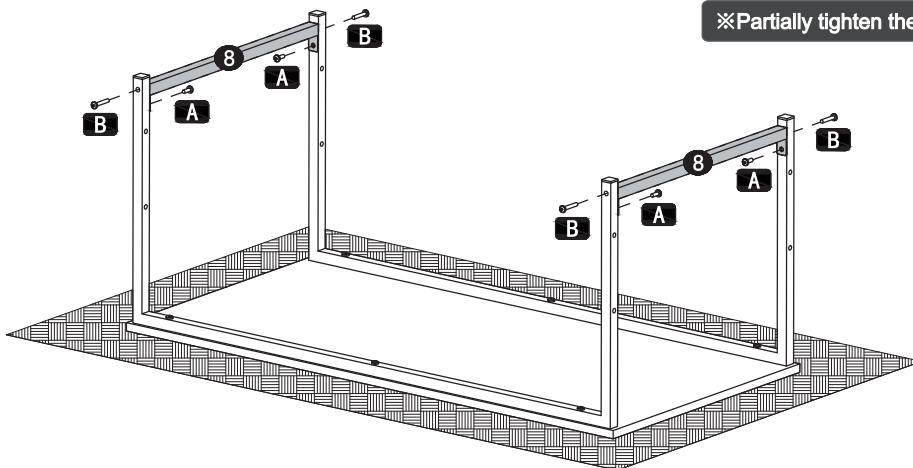


B  M6x30 6

D 

STEP 2

※Partially tighten the screws.



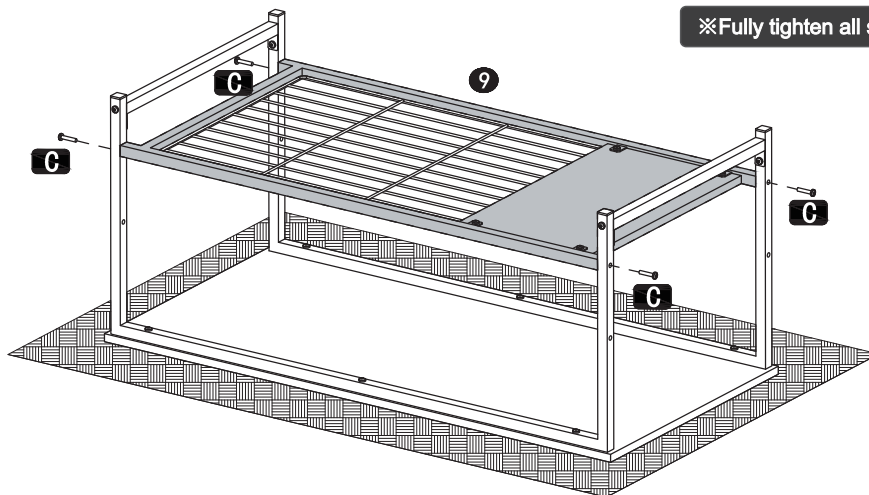
A  M6x12 4

B  M6x30 4

D 

STEP 3

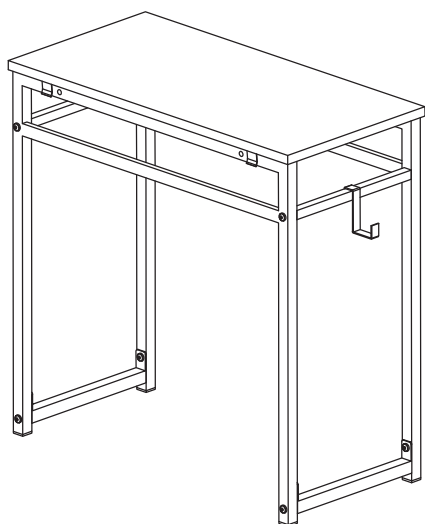
※Fully tighten all screws.



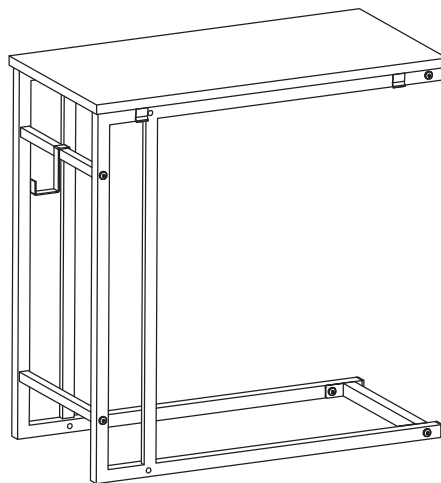
C  M6x35 4

D 

A

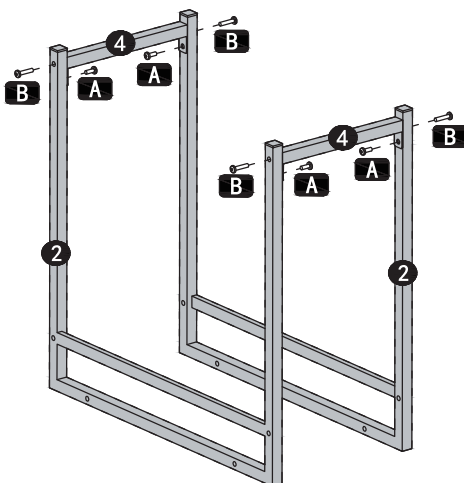


B



STEP 1

※Partially tighten the screws.



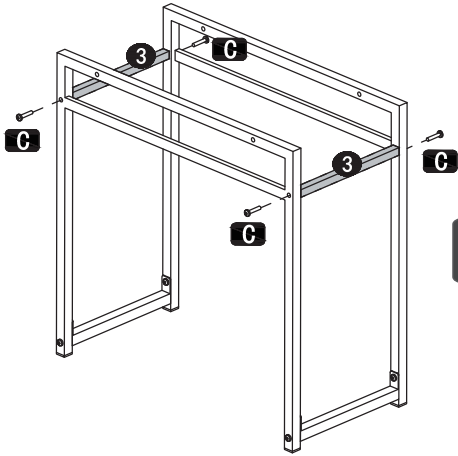
A  M6x12 4

B  M6x30 4

D 

STEP 2

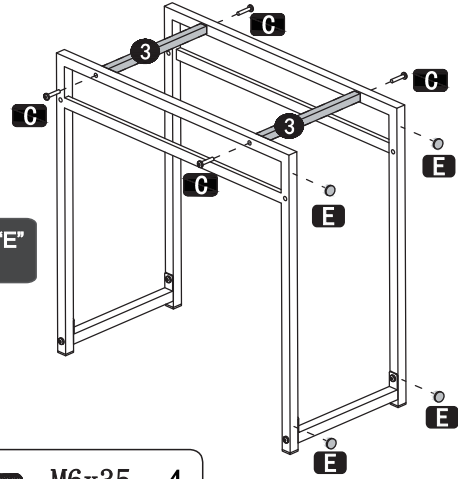
A



※Fully tighten all screws.

※If table legs wobble, please stick "E" at the foot for balance.

B



C  M6x35 4

C  M6x35 4

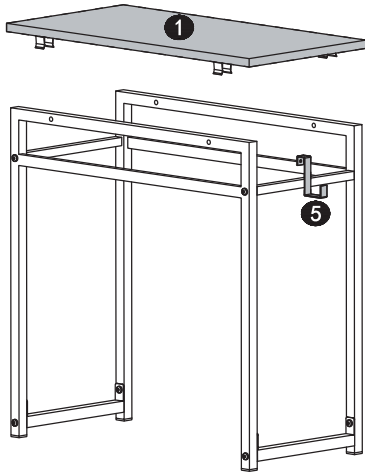
D 

D 

E  4

STEP 3

A



※ Make sure four fasteners on the board are aligned with the iron tubes.

B

