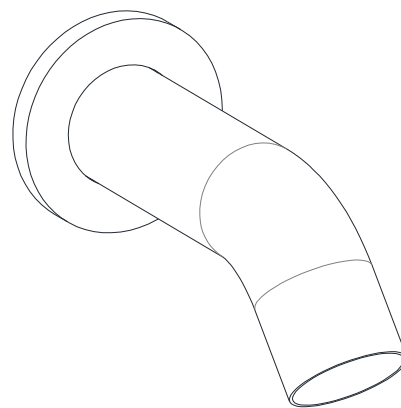
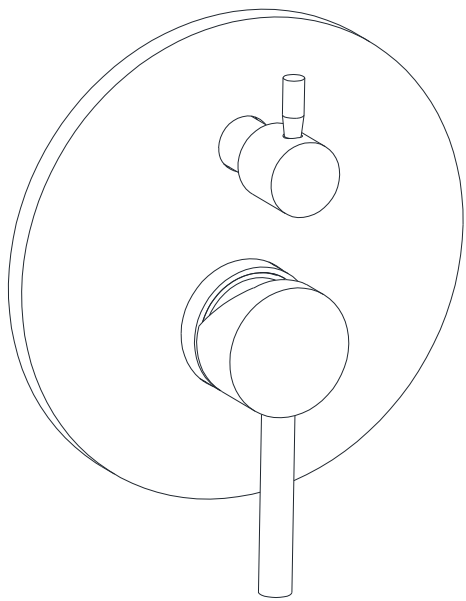


INSTALLATION GUIDE



WALL MOUNTED TUB FAUCET WITH HANDSHOWER

MODEL	FINISH
S2132CW	CHROME
S2132NW	BRUSHED NICKEL
S2132BGW	BRUSHED GOLD
S2132DW	MATTE BLACK

HOT LINE: +1-866-203-0866

THANK YOU

Dear Valued Customer,

Thank you for choosing SUMERAIN products. We would like to take this opportunity to express our sincere gratitude for your recent purchase. We hope you are completely satisfied with your new product. Rest assured, we meticulously engineer all SUMERAIN products and put them through rigorous factory tests to ensure their prolonged, trouble-free use under normal conditions.

Installing this product is as simple as it gets. All you need are some basic tools and our handy step-by-step illustrated guide. We wholeheartedly welcome any questions or feedback you may have. We eagerly anticipate the opportunity to assist you in the future. If you have any inquiries regarding this product, please do not hesitate to contact us at +1-866-203-0866 or email us at supports@sumerain.com.

Once again, we extend our gratitude for selecting SUMERAIN products. We remain committed to providing exceptional customer service.

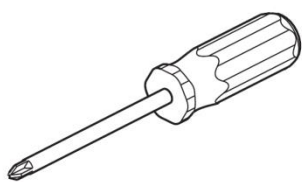
Sincerely,

SUMERAIN Customer Service Department

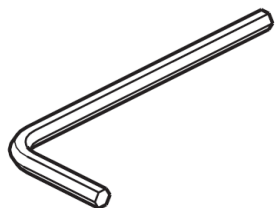
BEFORE PROCEEDING

1. Unpack your new product and verify that all components are present in the package. Until you're ready to install, it's best to keep the product in its original box.
2. Identify the water supply inlets and turn off the water supply valves. You'll typically find these valves near the water meter. If you're replacing an existing unit, make sure to remove the old one and clean the mounting surface thoroughly.
3. Adhere to all plumbing and building codes applicable in your area.
4. If you're not confident about installing the product yourself, we strongly recommend seeking help from a professional.

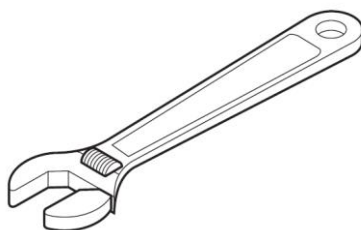
TOOLS RECOMMENDED



Philips Screwdriver



Allen Wrench



Adjustable Wrench



Channel Locks



Teflon Tape

LIMITED LIFETIME CONSUMER WARRANTY

VERSION: 140320.15.3

This product has been manufactured and tested to the highest quality standards by HONGKONG SUMERAIN SANITARY INDUSTRY Co., Limited ("SUMERAIN"). This warranty applies solely to SUMERAIN products purchased by consumers in the United States after January 1st, 2020. In the event of a faucet experiencing leaks or drips during regular usage, SUMERAIN will provide the necessary faucet cartridge to the purchaser, free of charge, in order to restore the faucet to proper working condition. If any defects are identified during normal residential use, SUMERAIN will, at its discretion, perform repairs, provide replacement parts or products, or make appropriate adjustments to ensure the product's optimal functionality.

WHO IS COVERED BY THE WARRANTY

This warranty provides exclusive coverage to the original consumer purchaser, including those who have made purchases through online retail platforms. However, online retail customers who are specifically covered by the "Online CONSUMER Limited Lifetime WARRANTY & Return policy" are also included. Please note that this warranty is non-transferable and cannot be assigned to any other party.

WHAT IS COVERED BY THE WARRANTY

This warranty is applicable only to the SUMERAIN manufactured product that you have purchased. SUMERAIN provides the following warranty against defects in material or workmanship: under normal installation, use, service, and maintenance, if the product or any of its components prove to be defective due to improper workmanship or materials, SUMERAIN will, at its discretion, provide free replacement parts or replace the entire product.

FINISH WARRANTY

Customers are responsible for thoroughly inspecting the product for any material or finish defects within three days of receiving it. Please note that SUMERAIN does not cover surface finish defects under warranty once the fixture has been installed.

ELECTRONIC FAUCETS WARRANTY

SUMERAIN guarantees its LED components, including electronic faucets, valves, controllers, and battery-powered devices, against material and manufacturing defects for one year from the date of purchase, under normal use. The water flow impeller power device (LED faucet power generation device) is guaranteed to be free from manufacturing defects for the first three months from the date of purchase.

LENGTH OF WARRANTY

As stated in the following, any replacement or repaired parts of the product will be covered for the duration of this warranty, which SUMERAIN provides for a period of 1 year from the original date of purchase.

CIRCUMSTANCES THAT SUMERAIN WILL NOT WARRANT AND PAY FOR:

- A. Conditions, malfunctions, or damage that do not result from defects in material or workmanship.
- B. Conditions, malfunctions, or damage resulting from normal wear and tear, improper installation, improper maintenance, misuse, abuse, negligence, accidents, alterations, or the use of abrasive or caustic cleaning agents, "no-rinse" cleaning products, or the product in a manner contrary to the provided instructions. This includes home conditions such as excessive water pressure or corrosion.
- C. Labor or other expenses associated with disconnection, deinstallation, or return of the product for warranty service, as well as installation or reinstallation of the product.
- D. Accessories, connected materials, and products (including but not limited to hand shower flexible hose, spray flexible hose, hand shower, shower head), or related products that are not manufactured by SUMERAIN.

TO OBTAIN WARRANTY PARTS OR INFORMATION

To obtain warranty parts or information professionally, please follow the steps below:

Contact your SUMERAIN retailer or dial the technical service phone number at +1-866-203-0866, or send an email to supports@sumerain.com.

When applying for warranty service, you will need to provide the following information:

- a. Sales receipt or other evidence of purchase date and platform.
- b. Detailed description of the problem.
- c. Ship the product or defective parts to the designated Sumerain warehouse in the United States with prepaid postage. Please ensure careful packaging and insurance of the items. Once the warranty service is completed, any repaired or replaced products or parts will be shipped back to you with prepaid postage.

If you have any further questions or need additional assistance, please contact the provided contact information.

EXCLUSIONS & LIMITATIONS

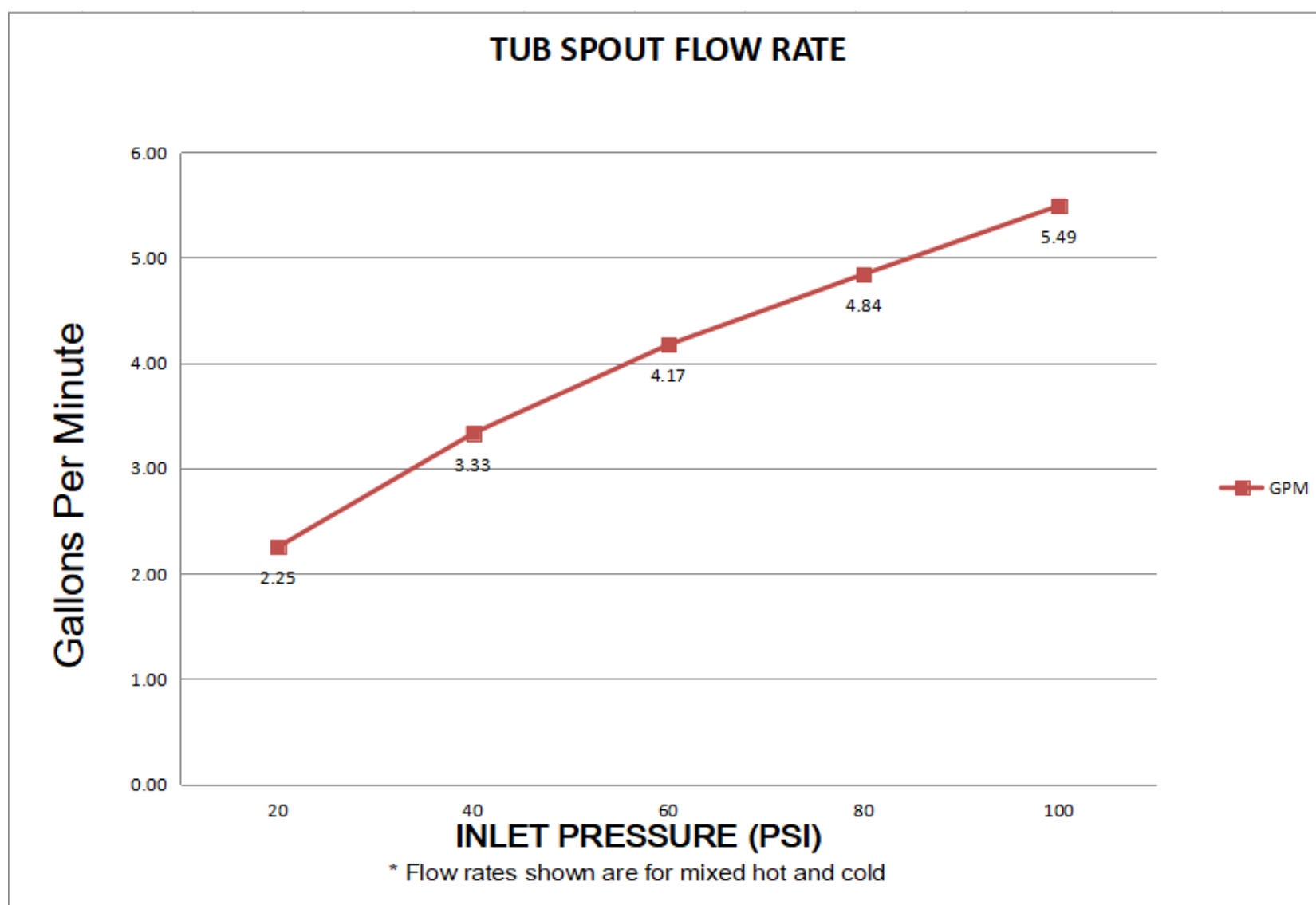
Pursuant to the terms of this warranty, repair, replacement (or, in limited circumstances, refund of the purchase price) shall be the sole remedy available to the purchaser. SUMERAIN assumes no obligations or liabilities and does not authorize any individual to create obligations or liabilities in relation to this product. SUMERAIN shall not be held liable to the purchaser or any party for any incidental, special, or consequential damages resulting from a breach of this warranty or any implied warranties (including merchantability). Please note that certain states do not allow the exclusion or limitation of incidental or consequential damages, therefore the aforementioned limitation or exclusion may not apply to you. This warranty grants you specific legal rights, and you may also have additional rights that vary from state to state. Before initiating any legal proceedings against us under the Magnuson-Moss Warranty Act, you may be legally required to provide us with a reasonable opportunity to rectify or resolve any non-compliance.

PRODUCT INSTRUCTIONS & QUESTIONS

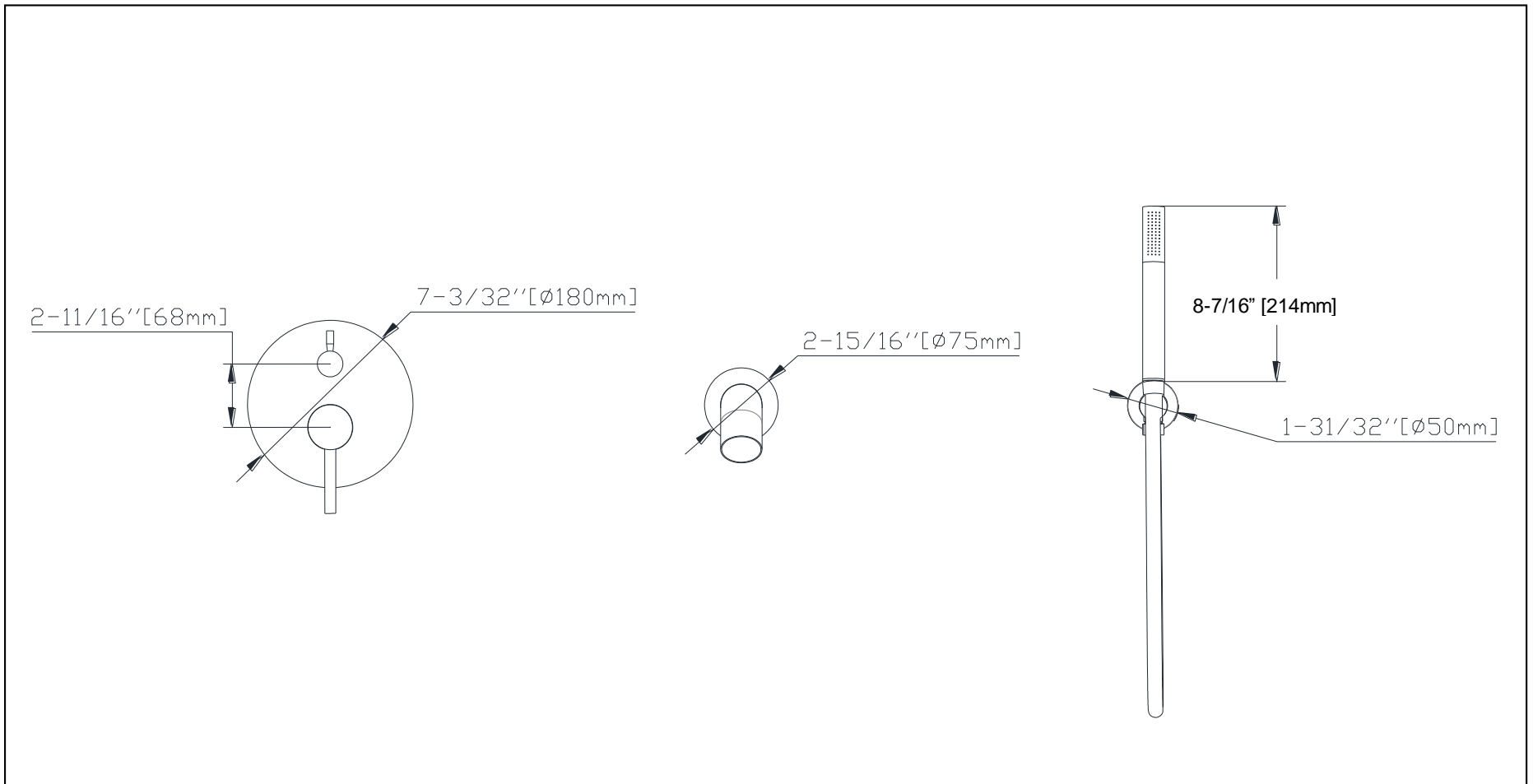
Prior to installation, we strongly recommend conducting a meticulous inspection of your SUMERAIN product to identify any potential damage or visible defects. It is crucial to thoroughly review the accompanying instructions regarding the correct installation, maintenance, and care procedures for the product. Should you have any inquiries regarding the utilization, installation, performance, or this warranty of your SUMERAIN product, please don't hesitate to reach out to us at +1-866-2030-866 or via email at supports@sumerain.com. Our dedicated team is readily available to provide professional assistance and address any concerns you may have.

FUNCTIONS AND SPECIFICATION

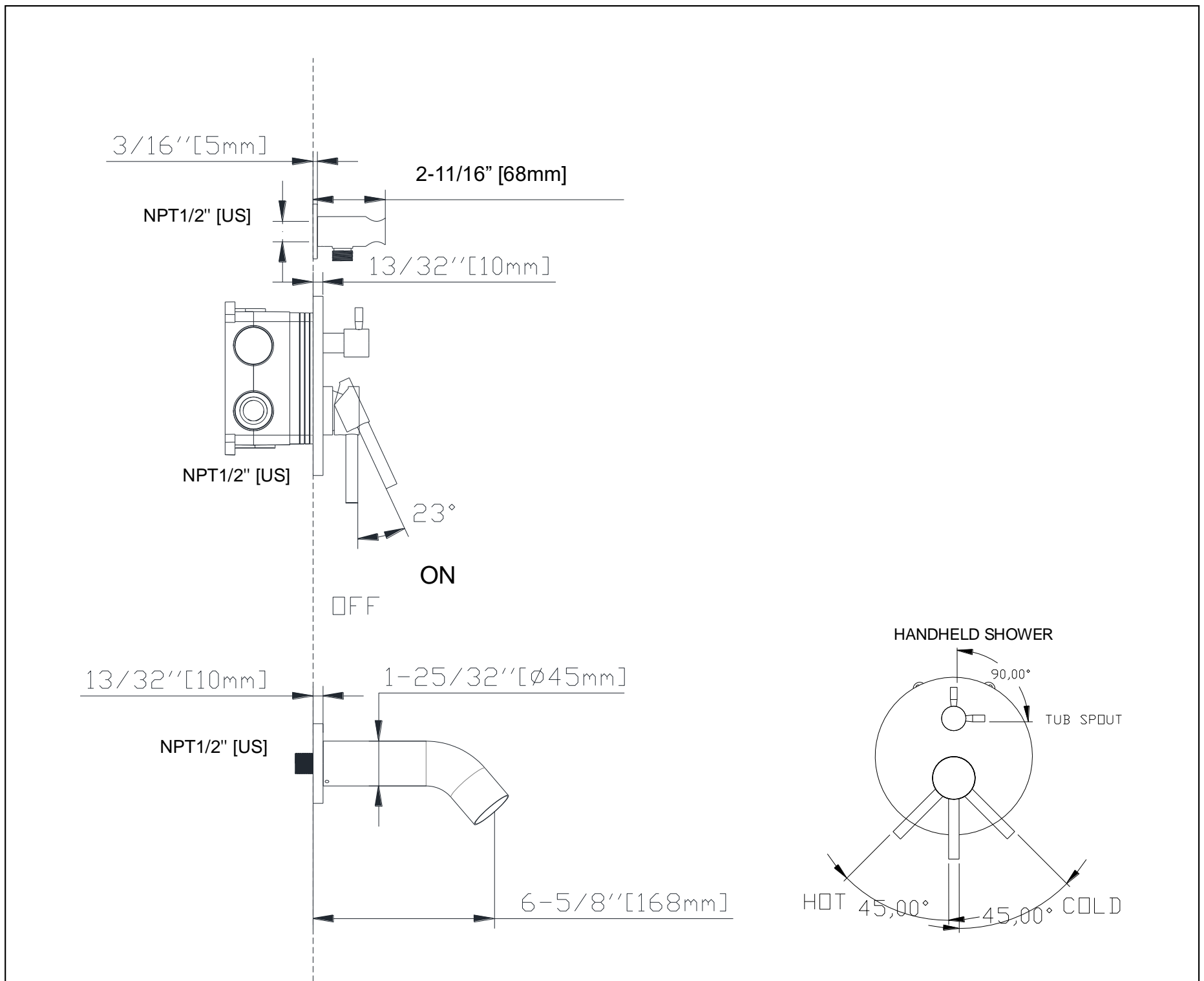
Faucet Type	Tub Faucet
Feature	Concealed Tub and Shower Faucet
Theme	Modern, Contemporary
Mounting Type	Wall Mount
Number of Handles	One
Handles Material	Metal
Handle Style	Lever
Valve Type	Φ 40 Ceramic Cartridge
Faucet Body Material	Brass
Escutcheon Material	Brass
Diverter Included	Yes
Diverter Location	Rough-in Valve
Spout Max Flow Rate	4.17GPM[15.8L/M]@60PSI
Spout Material	Brass
Spout Reach	6-5/8 Inch [168mm]
Spout Width	1-25/32 Inch [45mm]
Net Weight	6.08lbs [2.76KG]
Gross Weight	7.56lbs [3.43KG]
Packing Box [L x W x H]	11-1/4"[285mm]x10-13/16"[275mm]x7-7/8" [200mm]



DIMENSION



FRONT VIEW OF SHOWER



SIDE VIEW OF SHOWER

INSTALLATION STEPS

1. BEFORE PROCEEDING



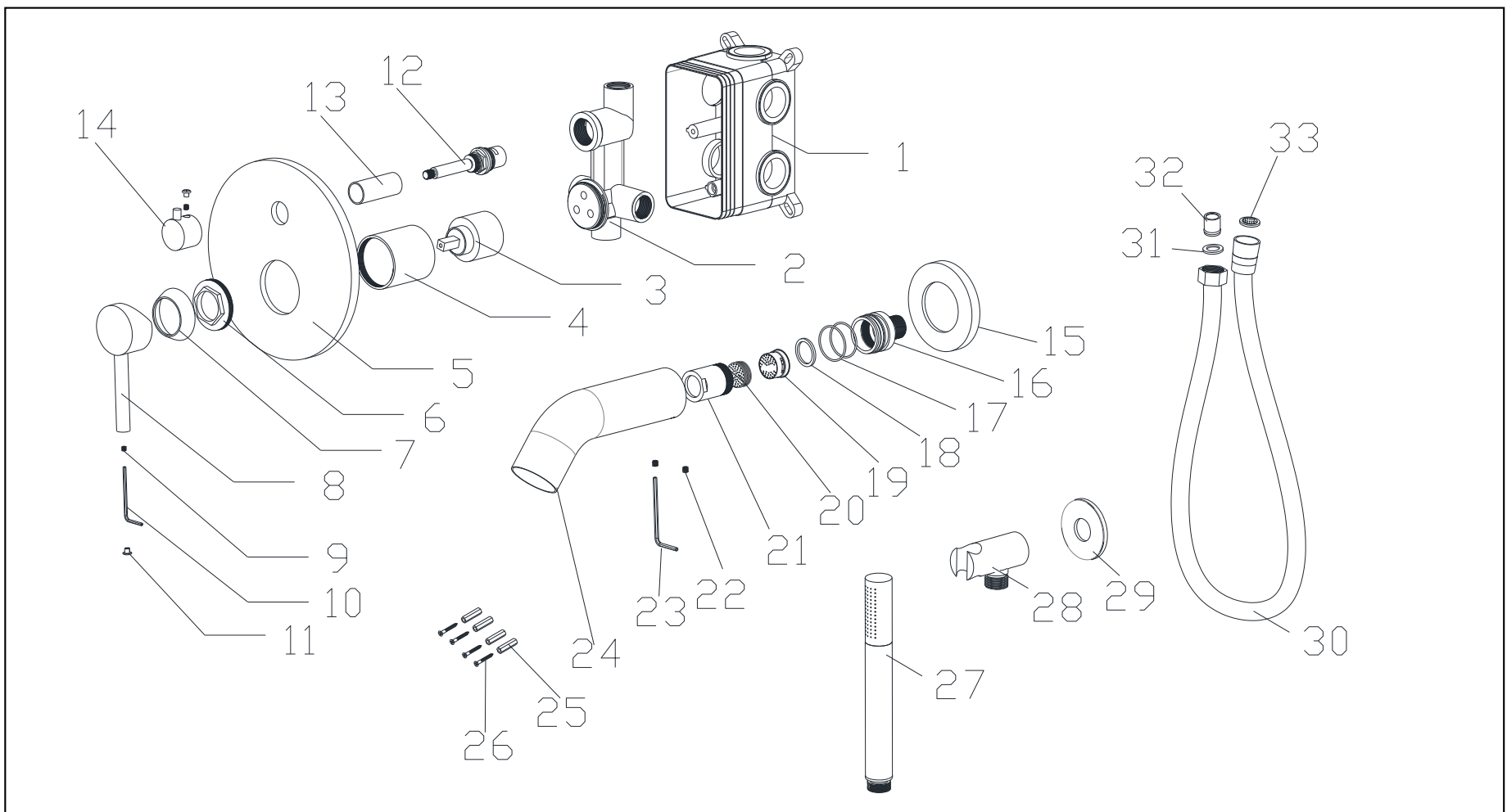
WARNING: Before proceeding with any operation, please read all instructions thoroughly. If you are uncertain about installing this product, please consult a professional! This product should be installed in accordance with all local and state plumbing and building codes. It is recommended to seek professional assistance.

2. SHUT OFF WATER SUPPLY

Locate the water supply inlets and shut off the corresponding water supply valves, typically found near the water meter. If replacing an existing unit, remove the old unit and thoroughly clean the mounting surface.

3. CHECKING THE CONTENTS OF THE BOX

Upon opening the box, check to ensure that all the following items are included.



NO	ITEM NAME	MATERIAL	QTY	PART NO.	NO	ITEM NAME	MATERIAL	QTY	PART NO.
1	Concealed Box	ABS	1	PSA00011XX	18	Rubber Washer	NBR	1	PRW28020XX
2	Rough-in Valve	HPB59-1	1	PVB32230PB	19	Aerator	ASSEMBLE	1	PAE00018XX
3	Φ 40 Cartridge	ASSEMBLE	1	PCT40000XX	20	Aerator Screen	SUS304	1	PSA00005XX
4	Sleeve	HPB59-1	1	PSL00002XX	21	Aerator Cover	HPB59-1	1	PAE32300XX
5	Escutcheon	SUS304	1	PCP32300XX	22	Set Screw	SUS304	2	PSC04062XX
6	Bonnet Nut	HPB59-1	1	PSC42125XX	23	Allen Wrench 2.1mm	Fe45#	1	PSA00040XX
7	Bonnet Cap	HPB59-1	1	PFC42125XX	24	Tub Spout	Hpb59-1	1	PHS32300XX
8	Handle(lever)	Zn Alloy No.3	1	PHD00003XX	25	Anchor	ABS	4	PSA00010XX
9	Set Screw	SUS304	2	PSC05051XX	26	Mounting Screw	SUS304	4	PSC00002XX
10	Allen Wrench 2.5mm	Fe45#	1	PSA00003XX	27	Handheld Shower	ASSEMBLE	1	PHS32230XX
11	Screw Cover	ABS	2	PSA00004XX	28	Hand Shower Holder	ASSEMBLE	1	PHH32322XX
12	Diverter Cartridge	ASSEMBLE	1	PCT00001XX	29	Supply Elbow Flange	SUS304	1	PFC32320XX
13	Diverter Sleeve	HPB59-1	1	PSL32181XX	30	Shower Hose	ASSEMBLE	1	PFH00015XX
14	Diverter Knob	Zn Alloy No.3	1	PHD00004XX	31	Rubber Washer	NBR	1	PRW19020XX
15	Tub Spout Flange	HPB59-1	1	PFC32300XX	32	Check Valve	ASSEMBLE	1	PAE00043XX
16	Spout Connector	HPB59-1	1	PCN32301XX	33	Flow Restrictor	ASSEMBLE	1	PAE00035XX
17	O-Ring	NBR	2	POR42025XX					

If any of these items are missing, please contact SUMERAIN consumer service by email to: supports@sumerain.com

4. PLANNING AND INSTALLATION INSTRUCTIONS



Attentions: The shower has to be installed, rinsed and checked in compliance with the applicable regulations in order to guarantee proper shower function!

The dimensions of the shower set-up must be individually.

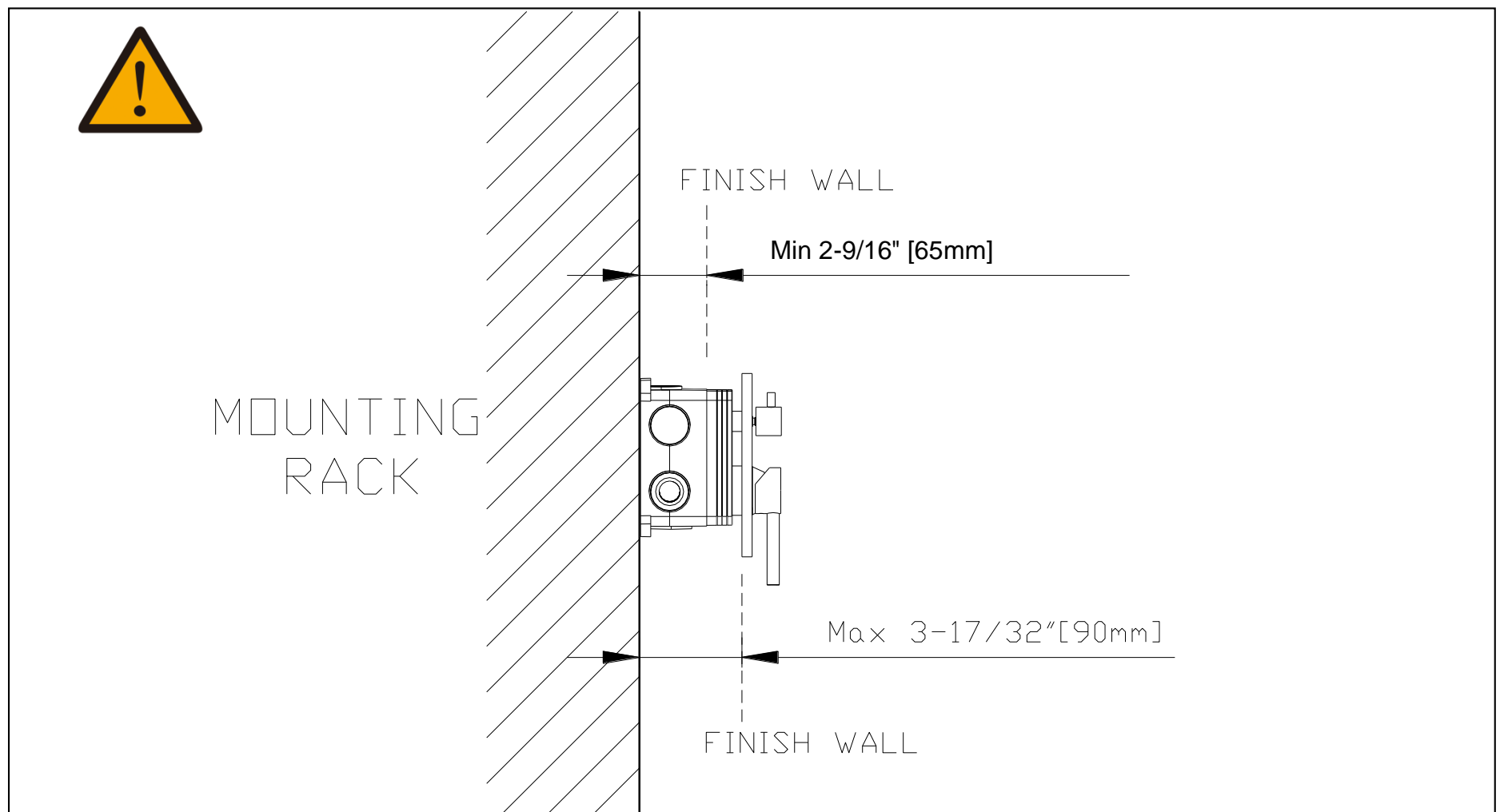
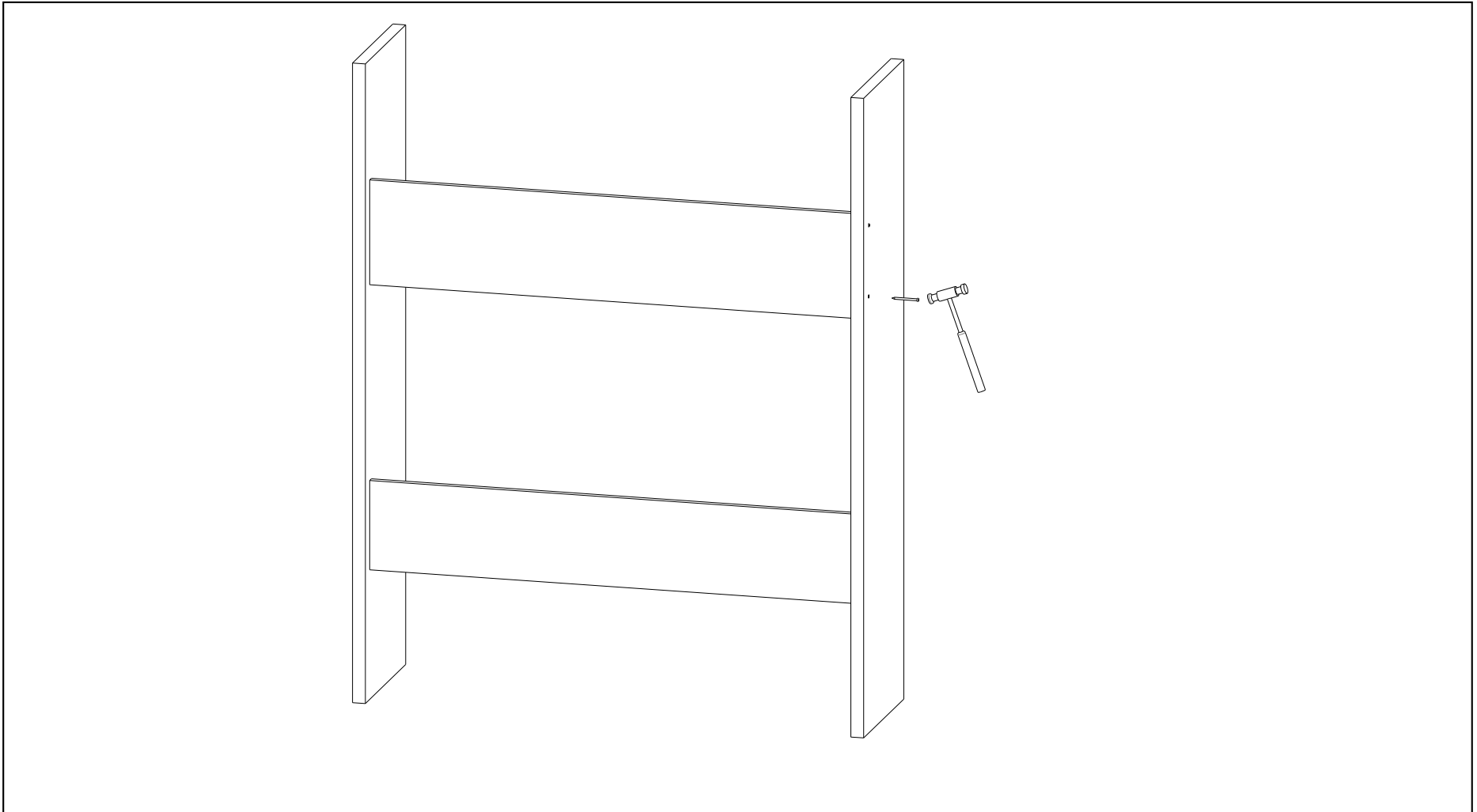
Operating pressure at the control valve:

Max. 1Mpa. Recommended operating pressure: 43.5PSI [0.3MPa].

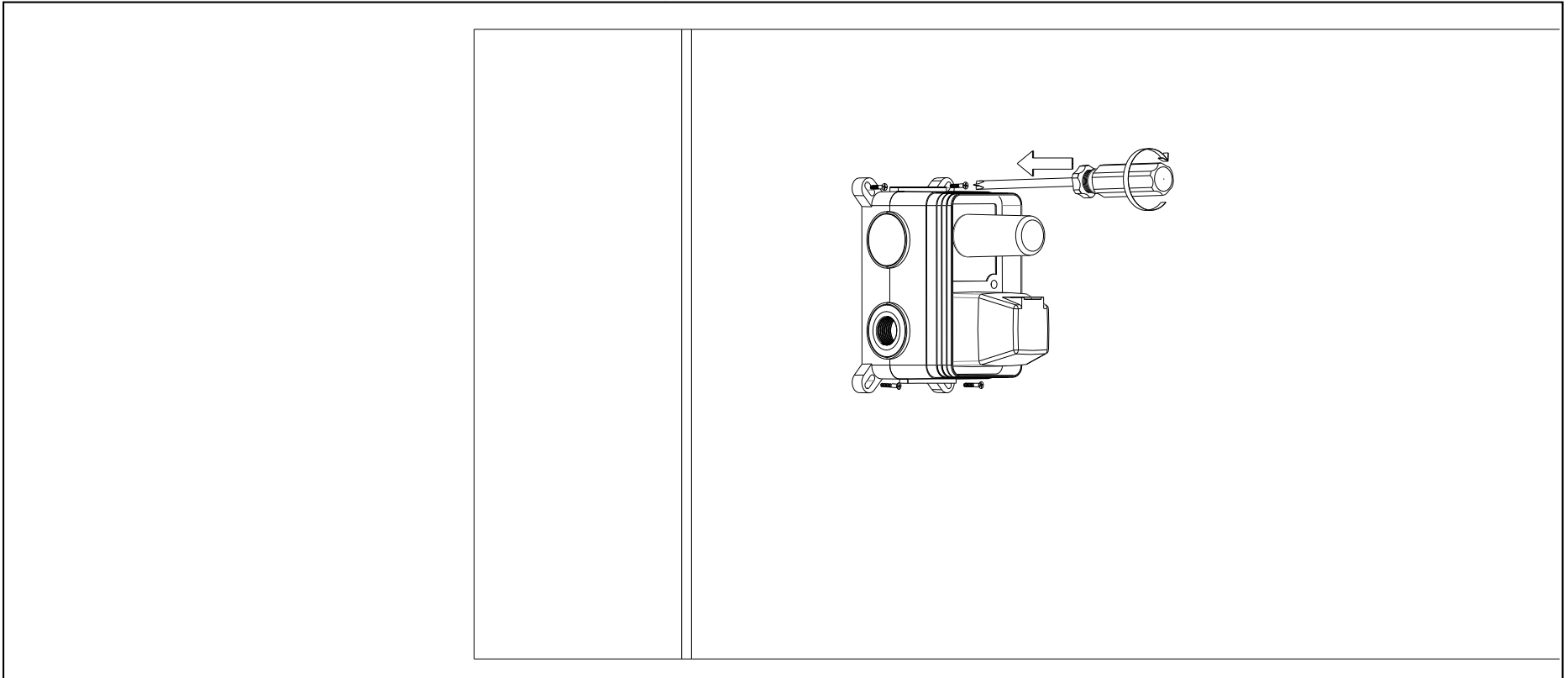
Hot water temperature: Max 140 Fahrenheit (60 degree centigrade).

5. CONCEALED BOX ASSEMBLY INSTALLATION

5.1 Make a mounting rack (normally use wood as the material) for preparing install the concealed box assembly. The mounting board's face should be Min 2-9/16" [65mm] and Max 3-17/32" [90mm] behind the finish wall surface.

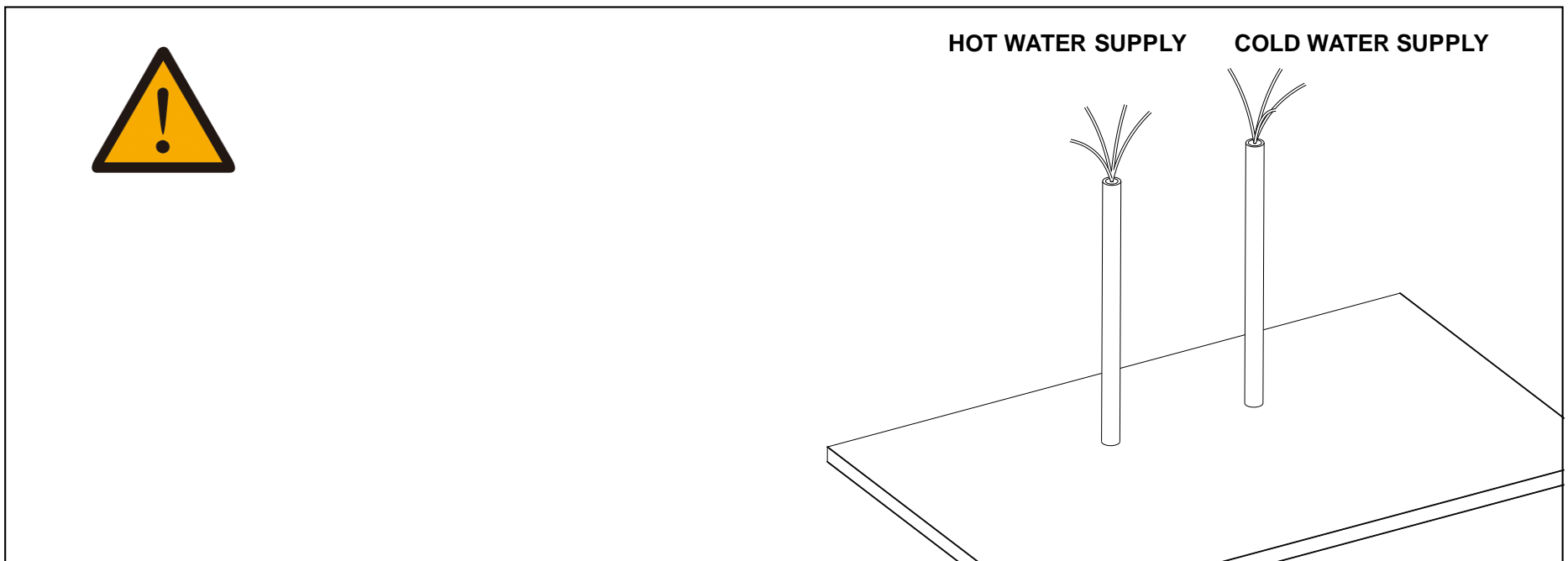


5.2 Secure the concealed box assembly to the mounting rack with screws and anchors.



6. VALVE TRIM INSTALLATION

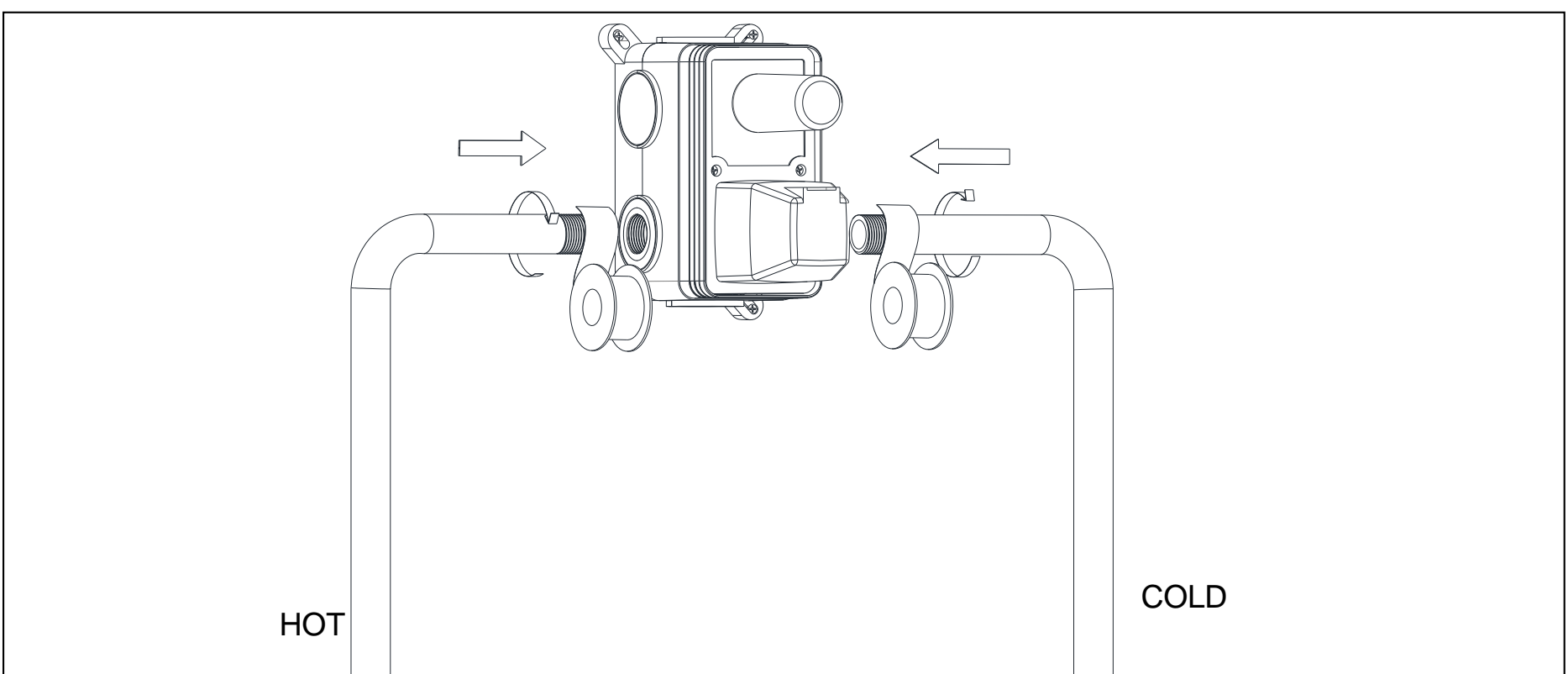
6.1 Turn on your shut-off valve for cleaning the hot and cold water supply pipe before connect to the valve body, allow the water flush 3~5 minutes to flush out dirt and debris. Shut off the water supply again after finish.



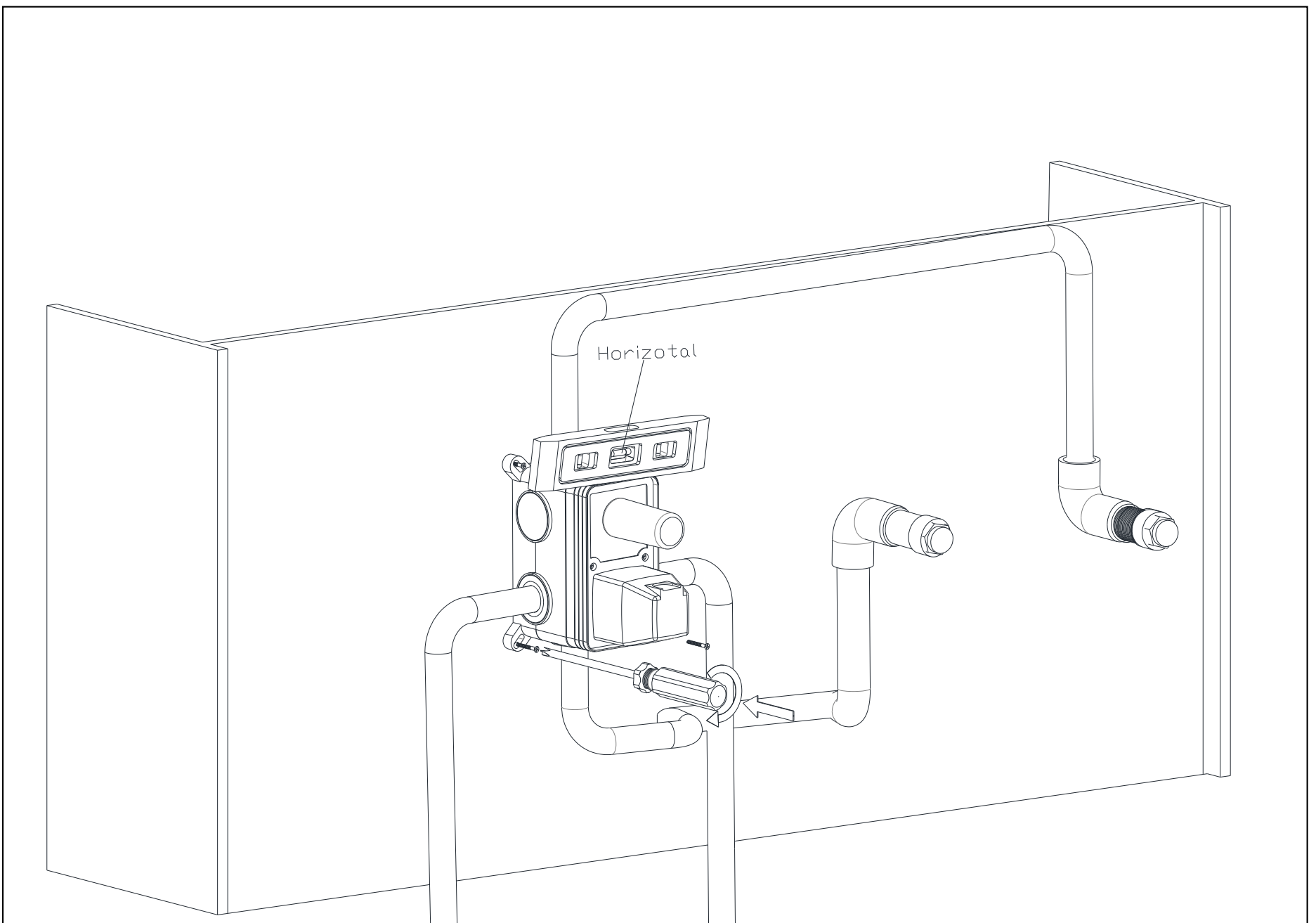
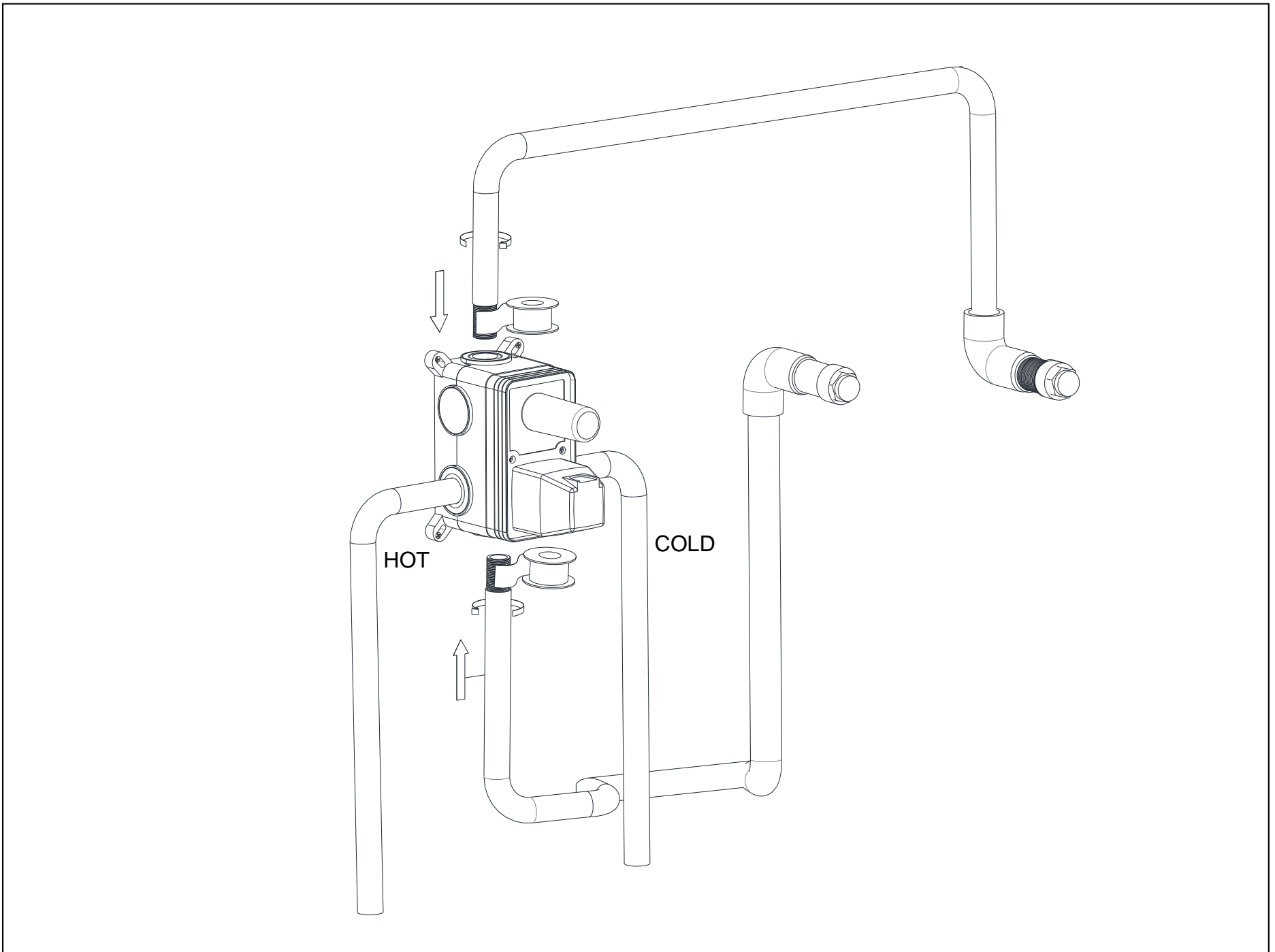
6.2 Apply Teflon tape to the thread of pipe inlet and then connect to valve inlet with elbow [hot left, cold right].

Mixer Valve Connection thread for Hot & Cold water.

Mixer Valve inlet thread: NPT1/2" (US, CA)



Connect to valve outlet with elbow:



6.3 Plumbing Pressure Testing and Leak Testing.

(a.) Water Pressure Testing Standards

Test Pressure:

- The test pressure shall be 1.5 times the working pressure of the piping system, but not less than 60 PSI (pounds per square inch).
- If the design working pressure of the piping system is less than 60 PSI, the test pressure shall be 60 PSI.
- Recommended test pressure: 100 PSI to 120 PSI (approximately 6.9 to 8.2 bar).

Test Duration:

- The test duration is typically 15 minutes.
- During the test, the pressure should remain stable with no significant drop.

Testing Method:

1. Seal the piping system, ensuring all openings (e.g., faucets, valves) are closed.
2. Use a manual pump or pressure testing equipment to pressurize the system to the specified test pressure.
3. Observe the pressure gauge to ensure the pressure remains stable during the test.
4. Inspect all connections, joints, and faucets for any signs of leakage.

Pass Criteria:

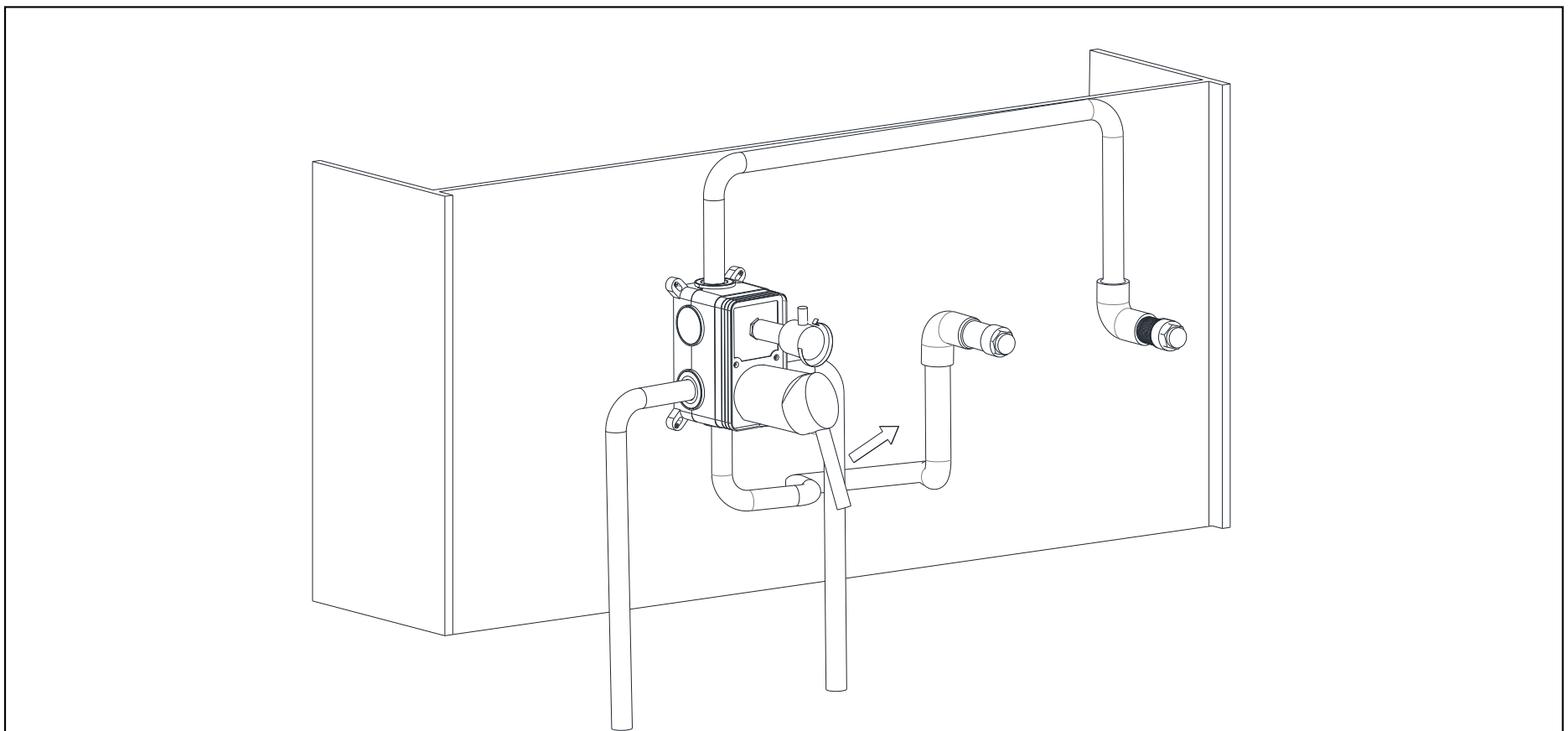
- If the pressure remains stable with no significant drop and no leakage is observed during the test, the piping system passes the test.
- If the pressure drops or leakage is detected, repair the issue and retest.



Precautions:

- Safety: The test pressure should not exceed the rated pressure of the pipes and fittings to avoid damage.
- Record: Record the test pressure, duration, and results for future inspection or maintenance purposes.

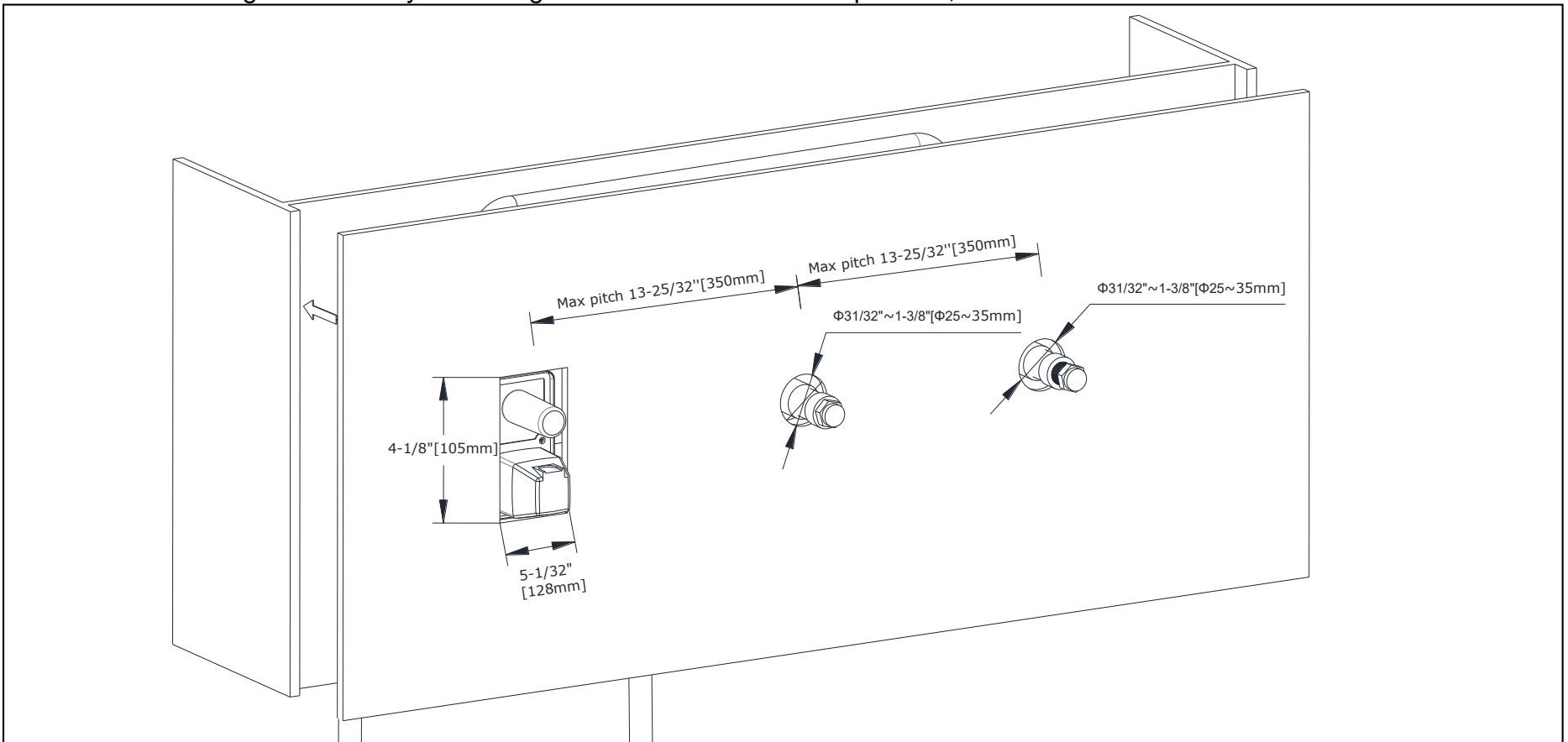
(b.) Leak Testing: After completing the plumbing pressure test, turn on the hot and cold water supply again and check all connections for leaks. Please shut off your hot and cold water supply again if no leaking and reinstall the plaster guard covers.



Precautions:

- Record: Record the test pressure, duration, and results for future inspection or maintenance purposes.

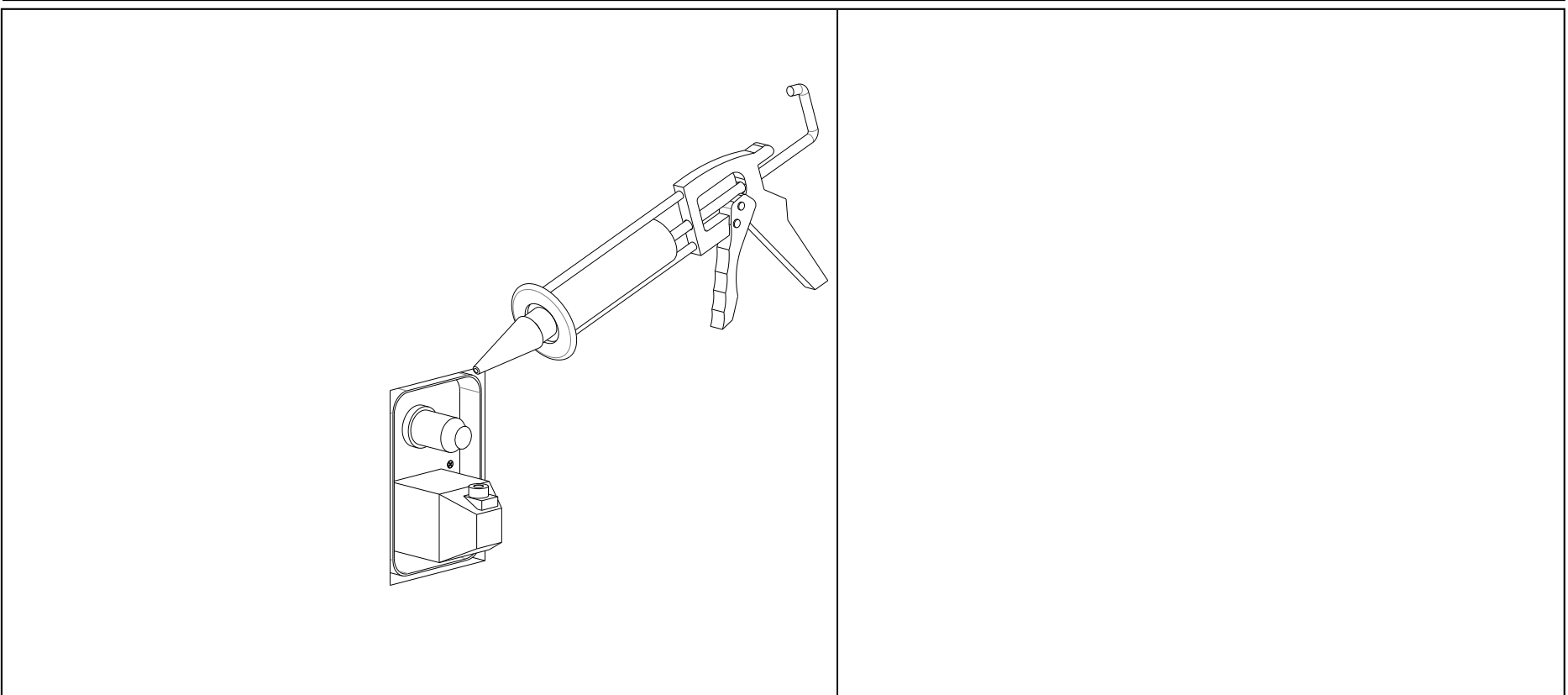
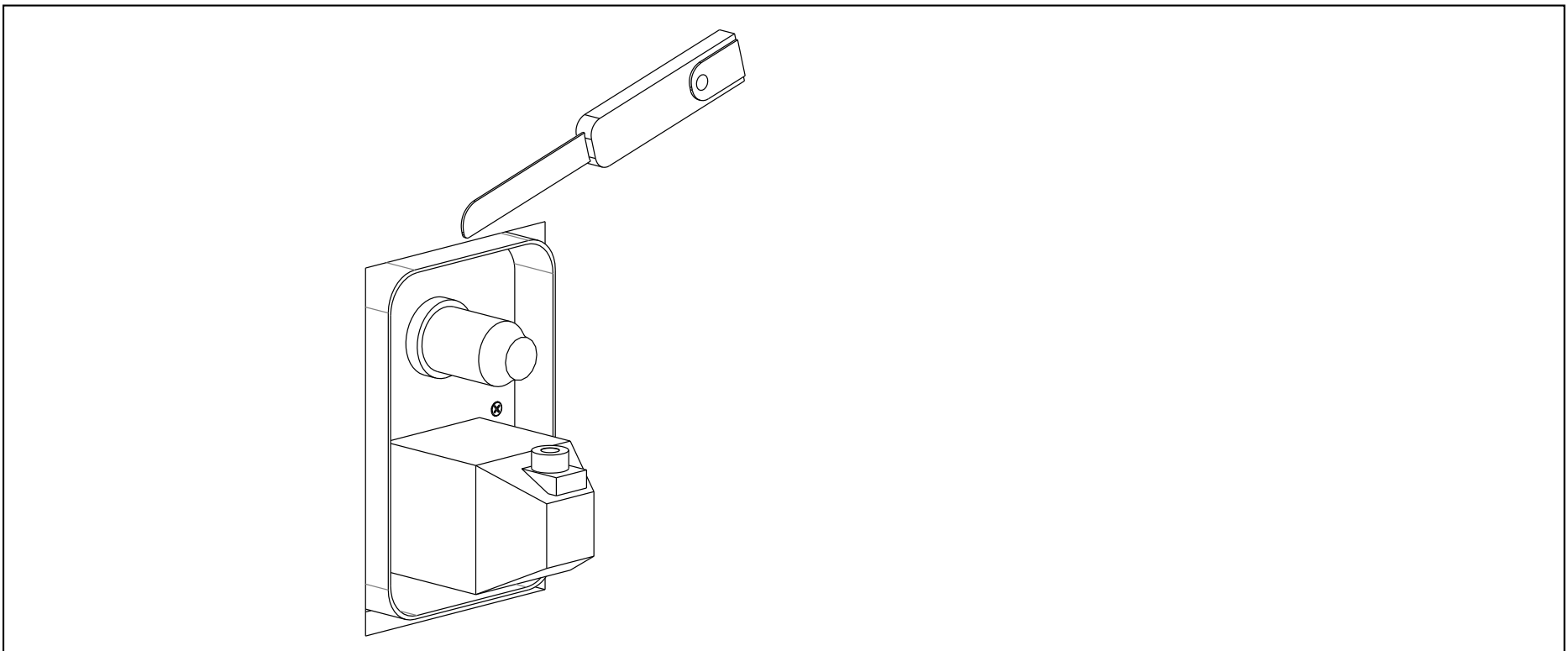
6.4 Drill the mounting holes exactly according to mixer valve and elbow position, done the finish wall.



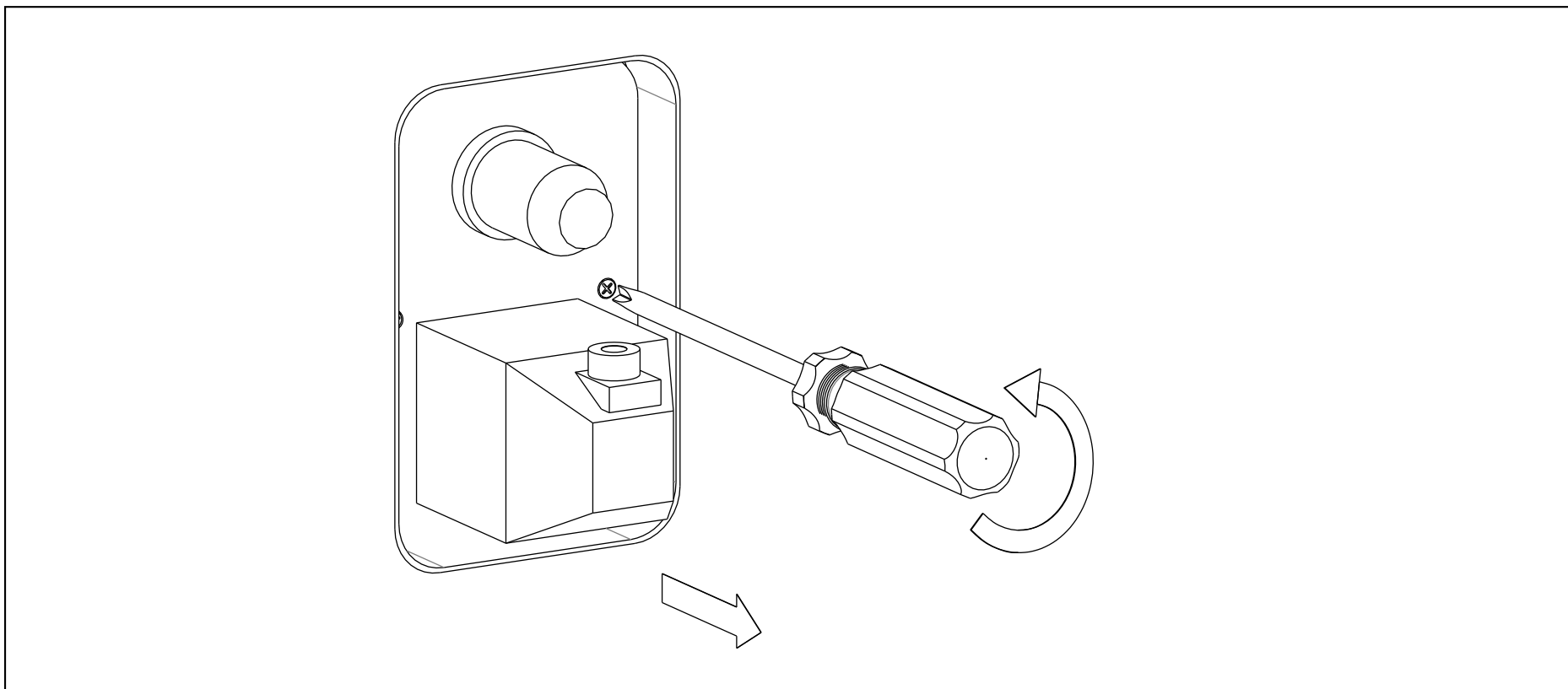
6.5 Cut the excess concealed box around the finish wall surface and seal the wall around the concealed box with waterproof sealant.



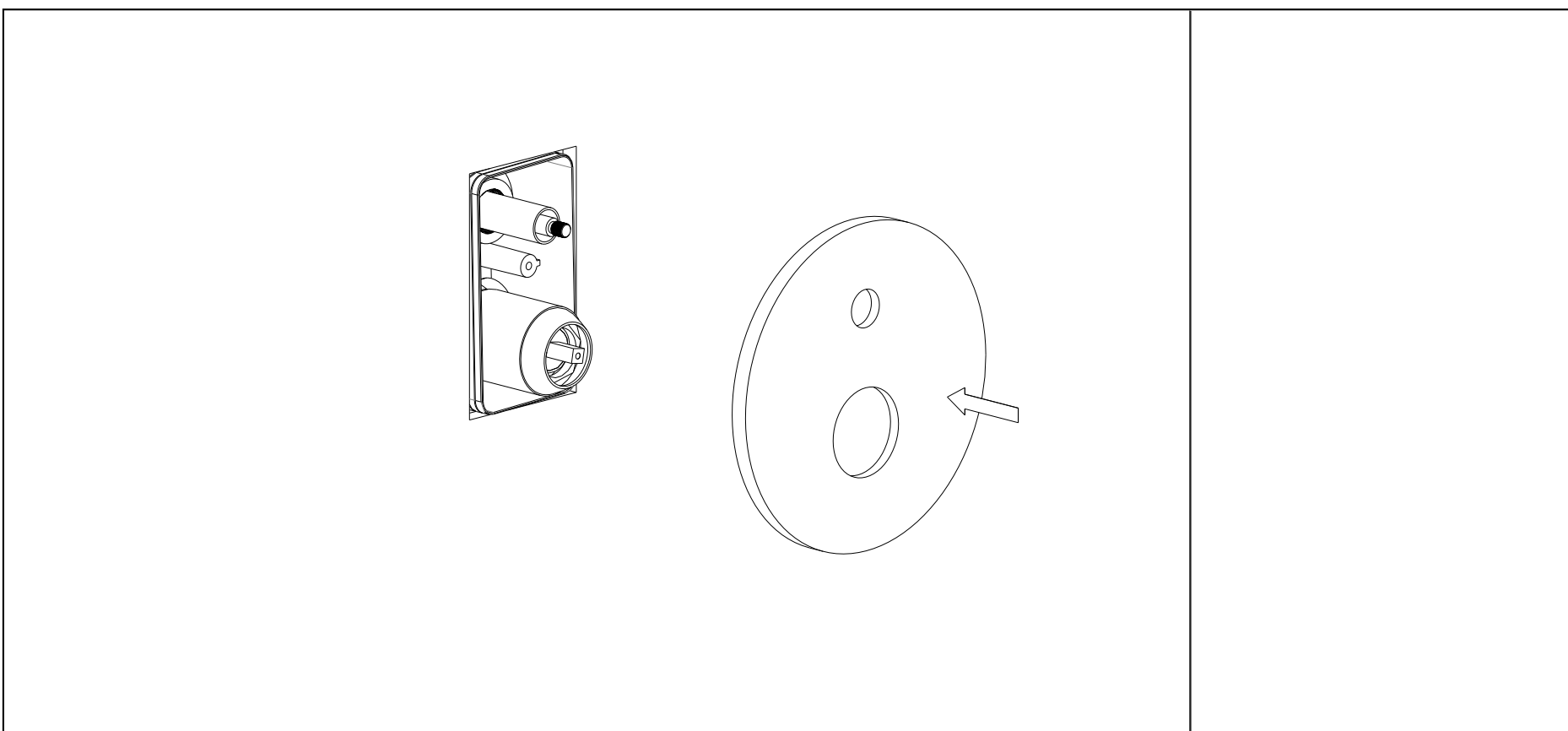
WARNING: Failure to seal the wall can lead to possible water damage.



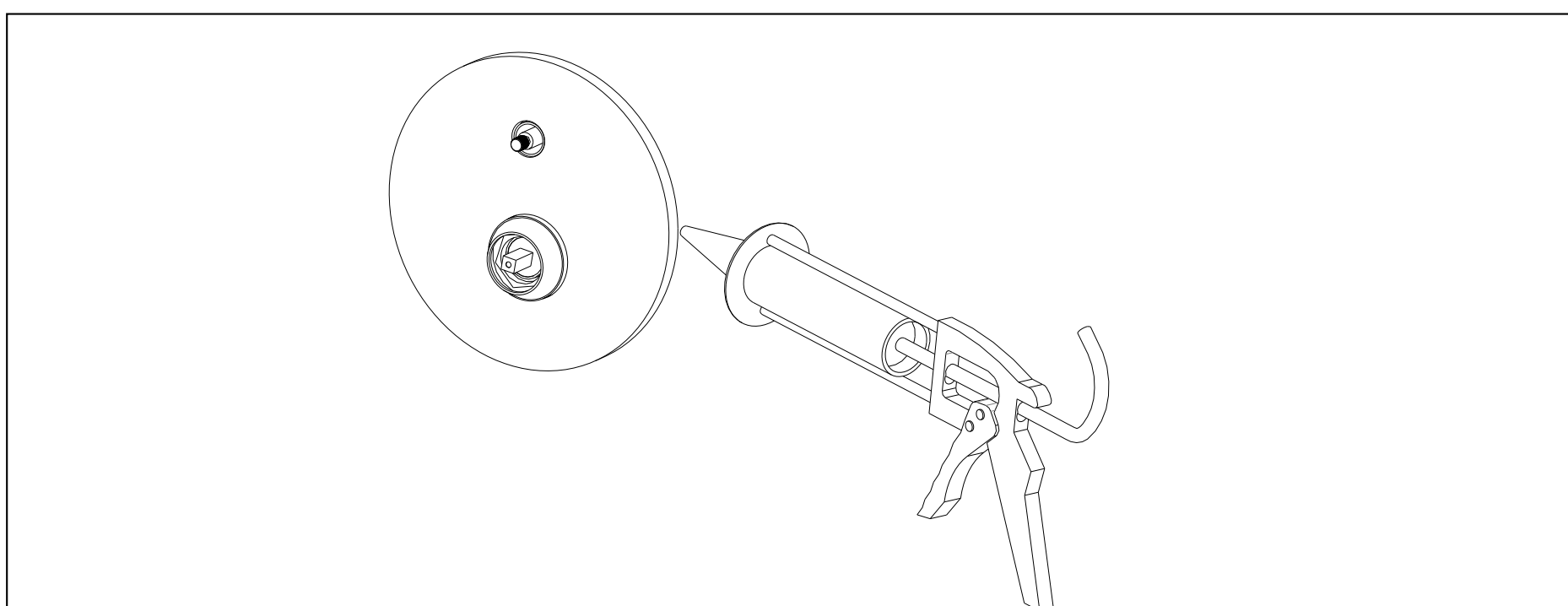
6.6 Remove the protective cover by Phillips screwdriver.



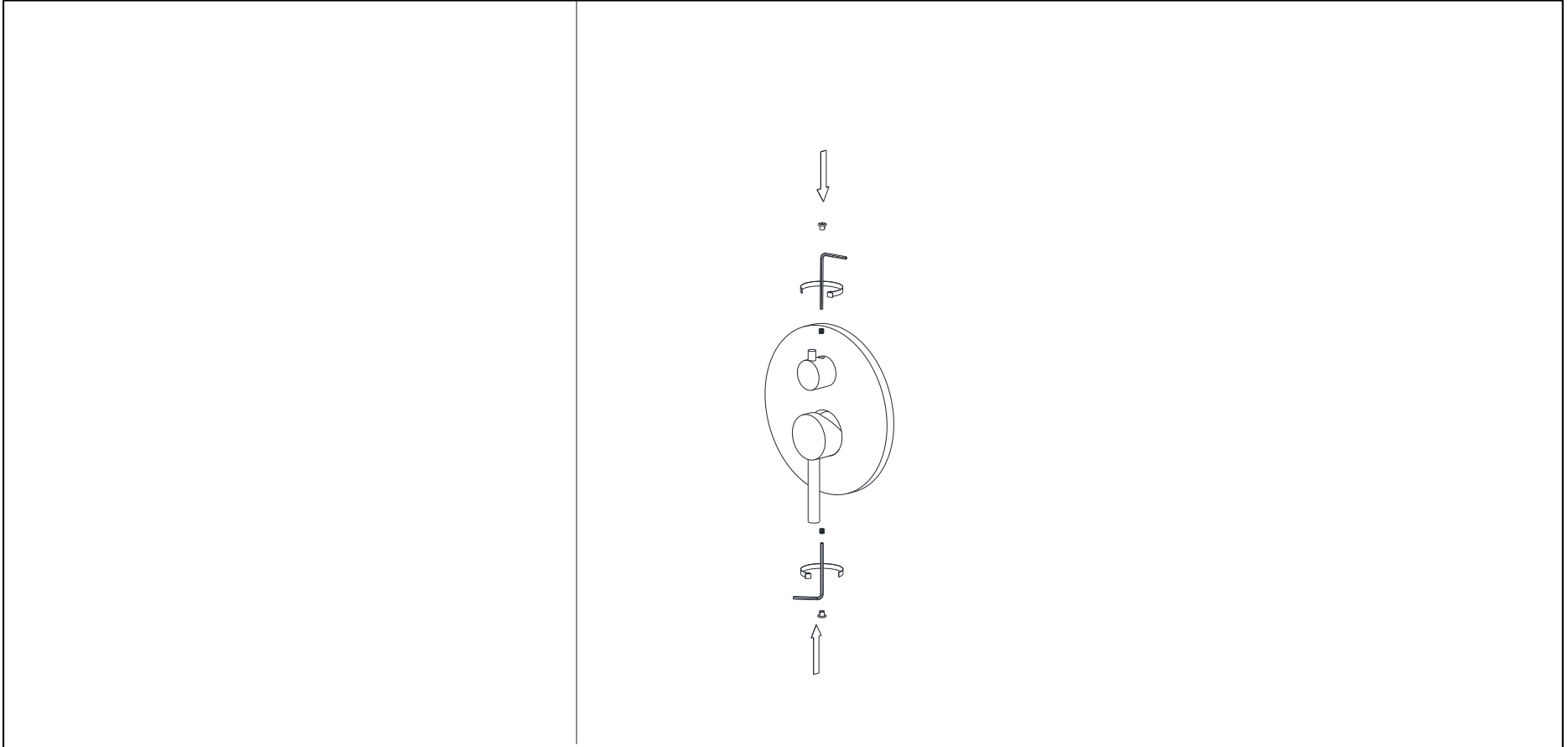
6.7 Attach the escutcheon over the valve body.



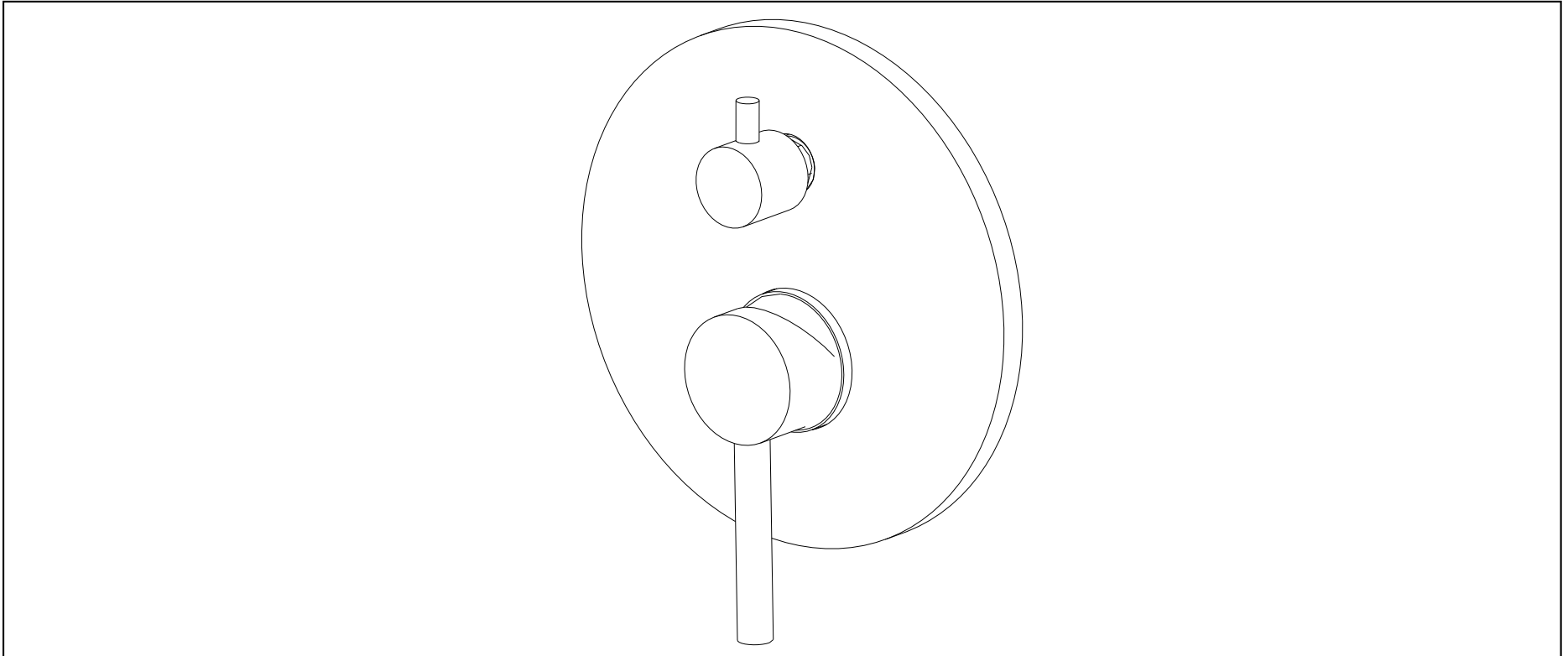
6.8 Seal the wall around the escutcheon with waterproof sealant.



6.9 Attach handle onto the valve stem and tighten set screw by the Allen wrench that is provided. Please don't over tighten. Done the same procedure on diverter knob. Finally press-in the screw covers.

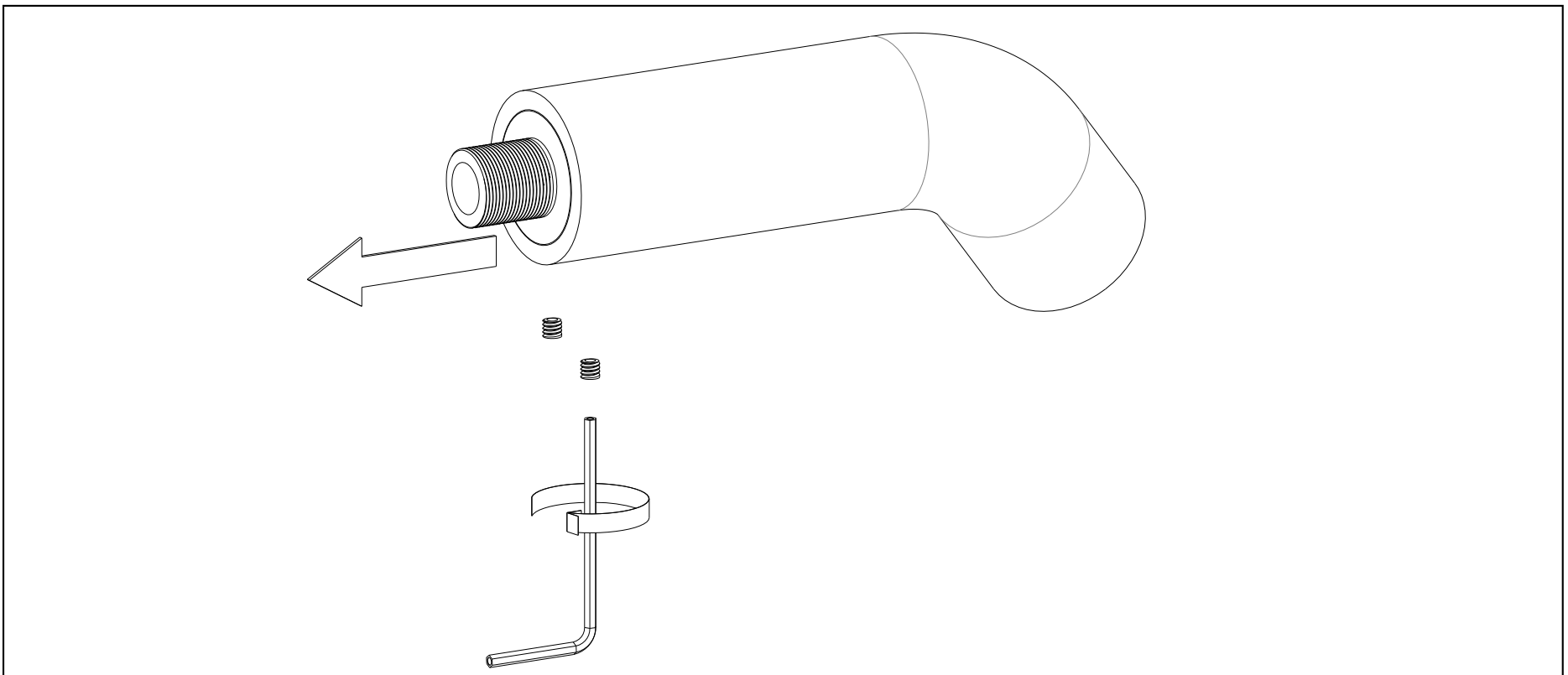


6.10 Valve trim install finish.

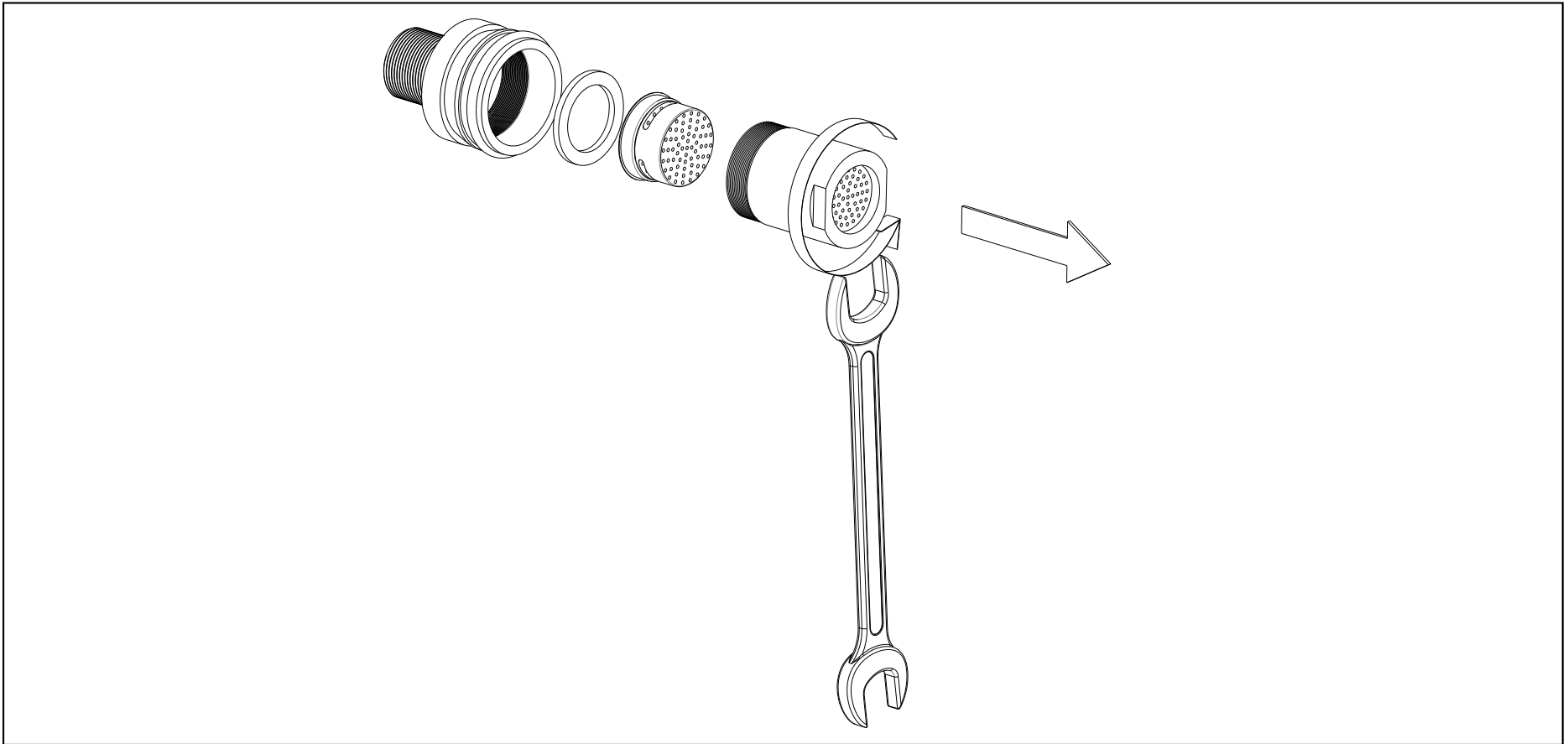


7. TUB SPOUT INSTALLATION

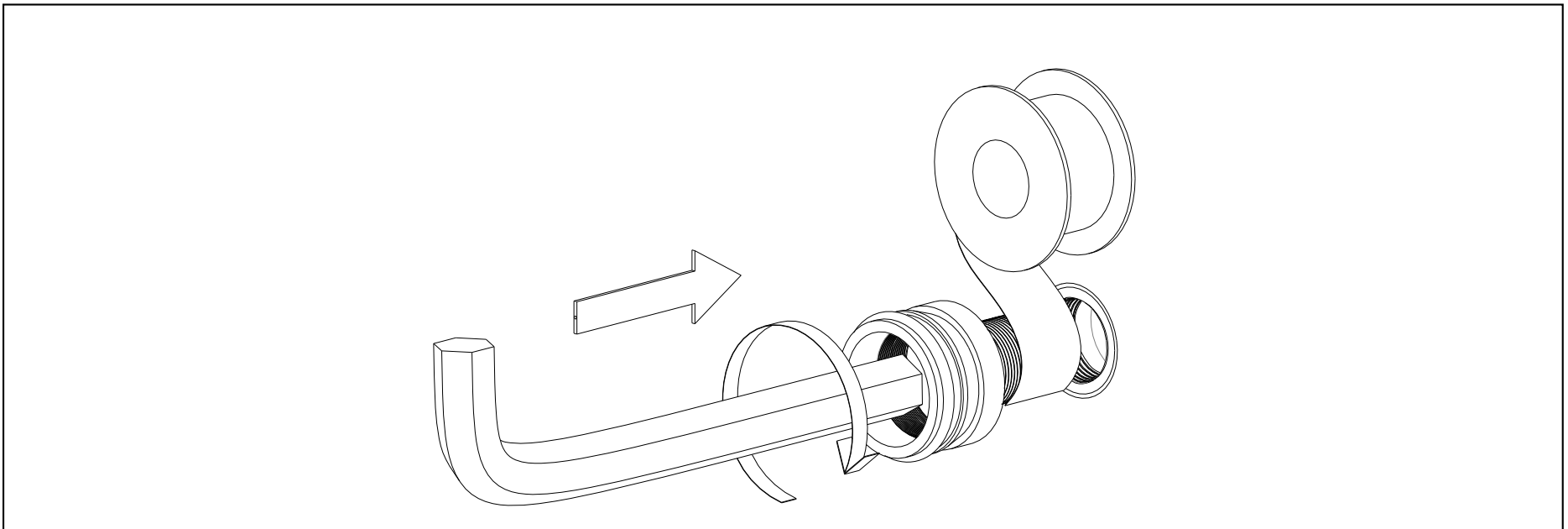
7.1 Loosen the set screws by Allen wrench and remove the spout connector assembly from tub spout assembly.



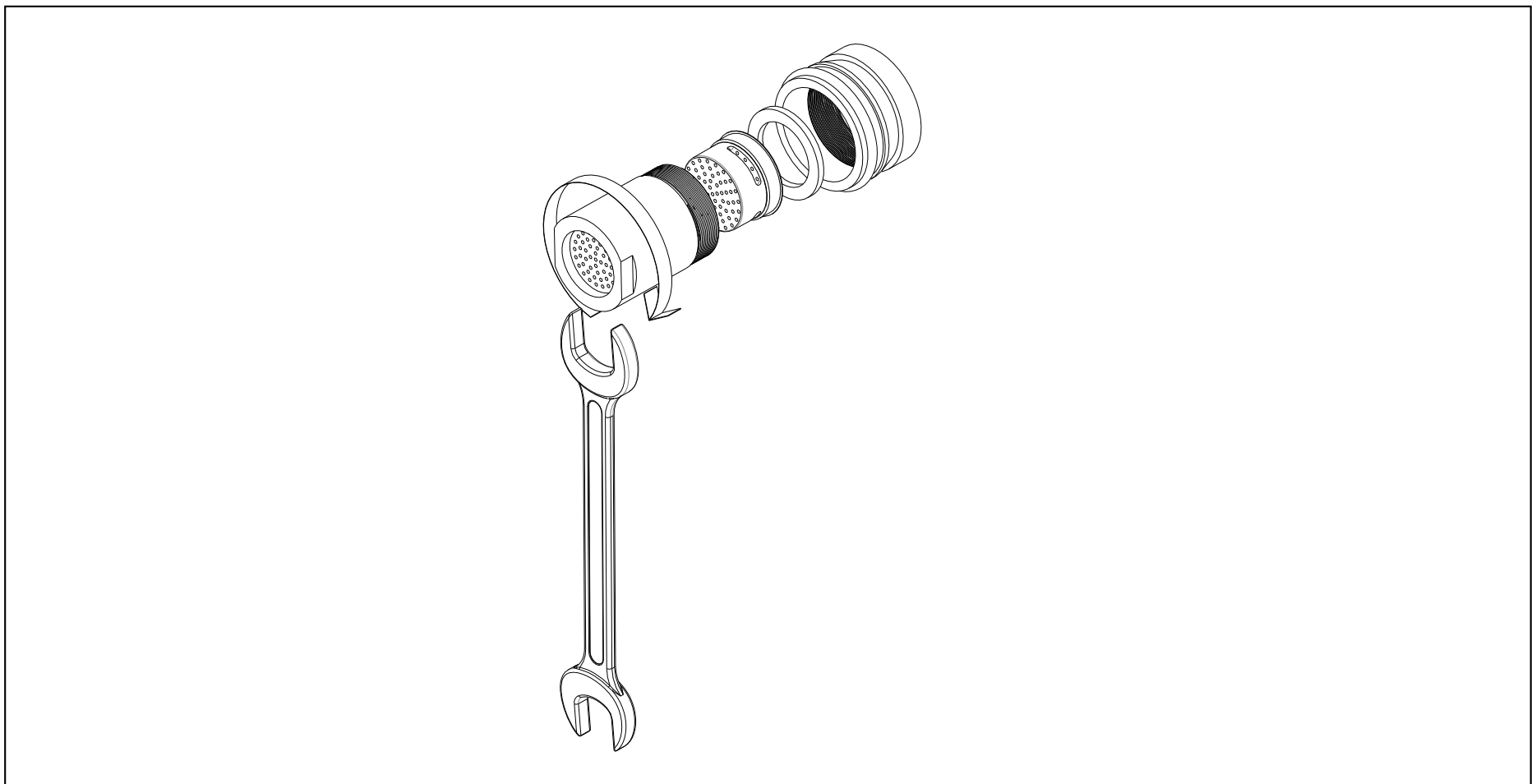
7.2 Remove the aerator cover by adjustable wrench and disassemble all inside parts from the spout connector.



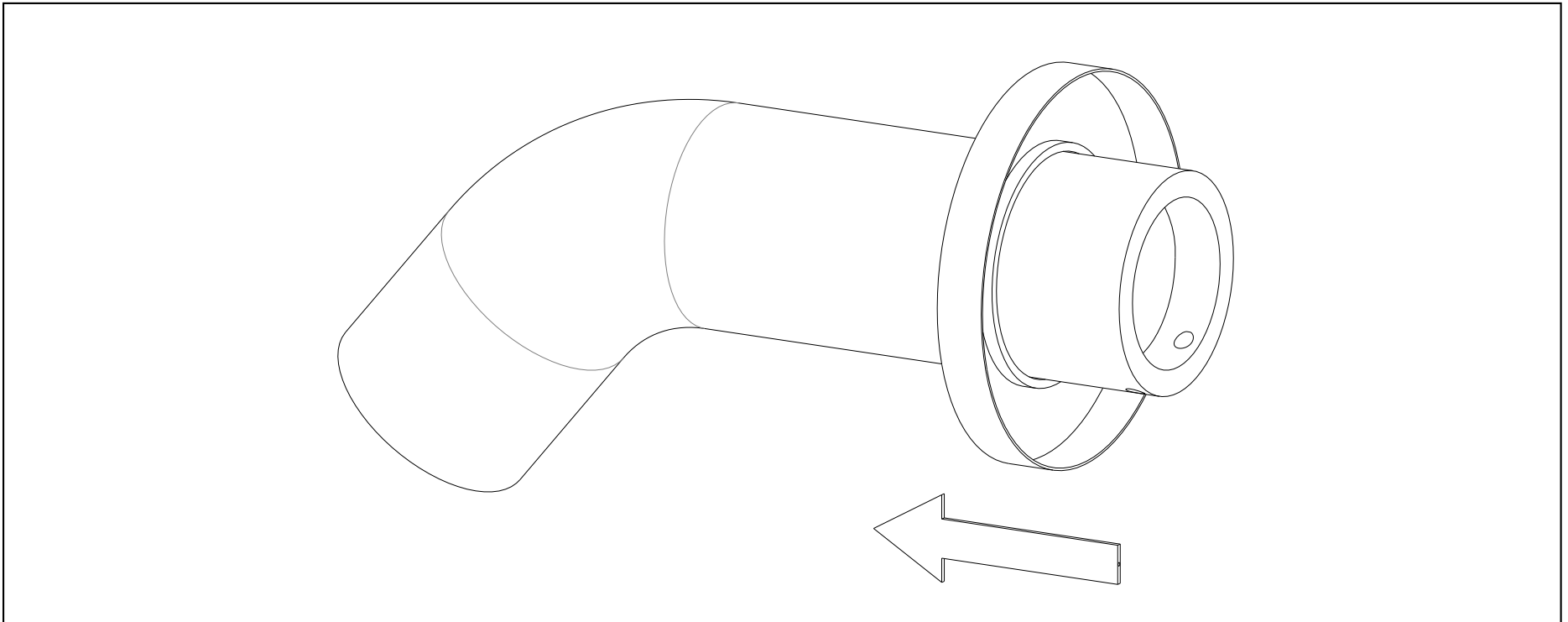
7.3 Apply Teflon tape to the thread of spout connector and screw the thread into the pipe elbow inside the wall.



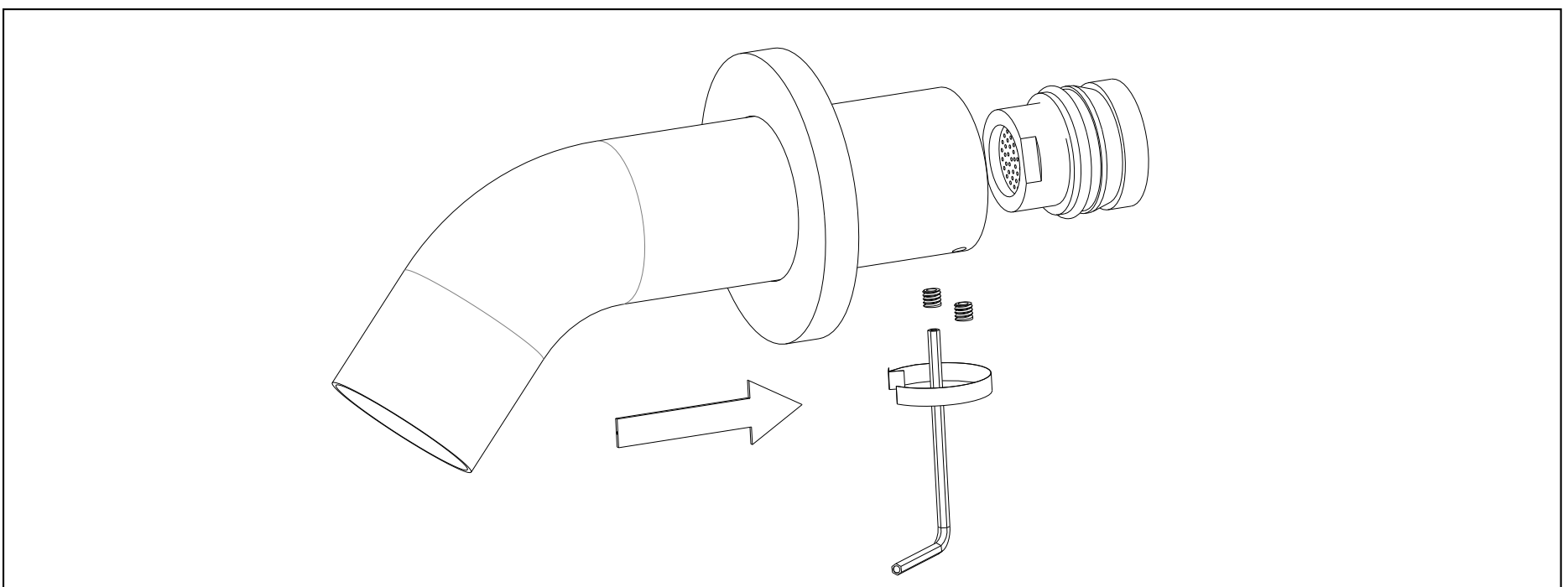
7.4. Reinstall the aerator cover and all inside parts to the spout connector by adjustable wrench .



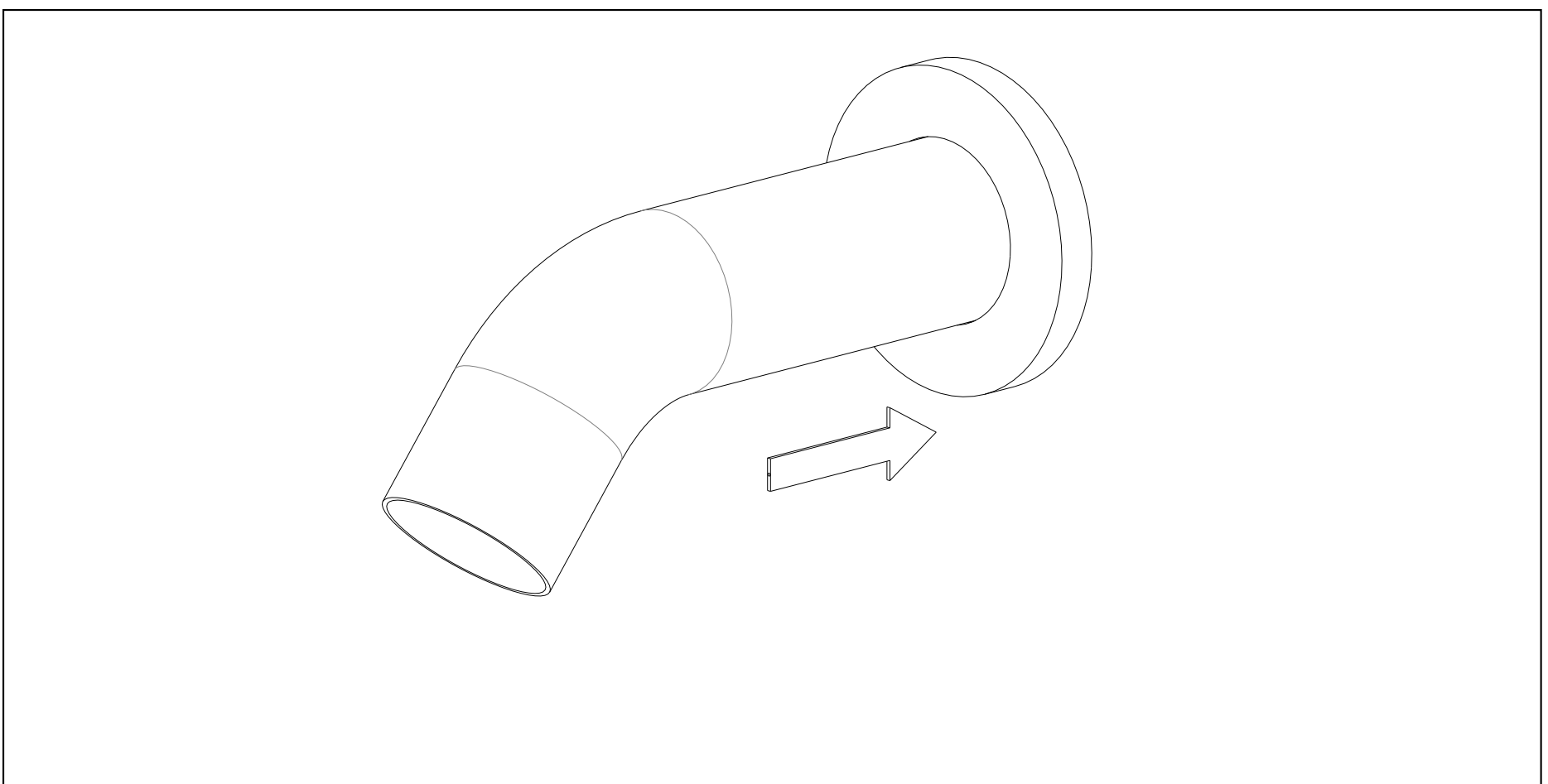
7.5. Push the flange to tub spout from behind.



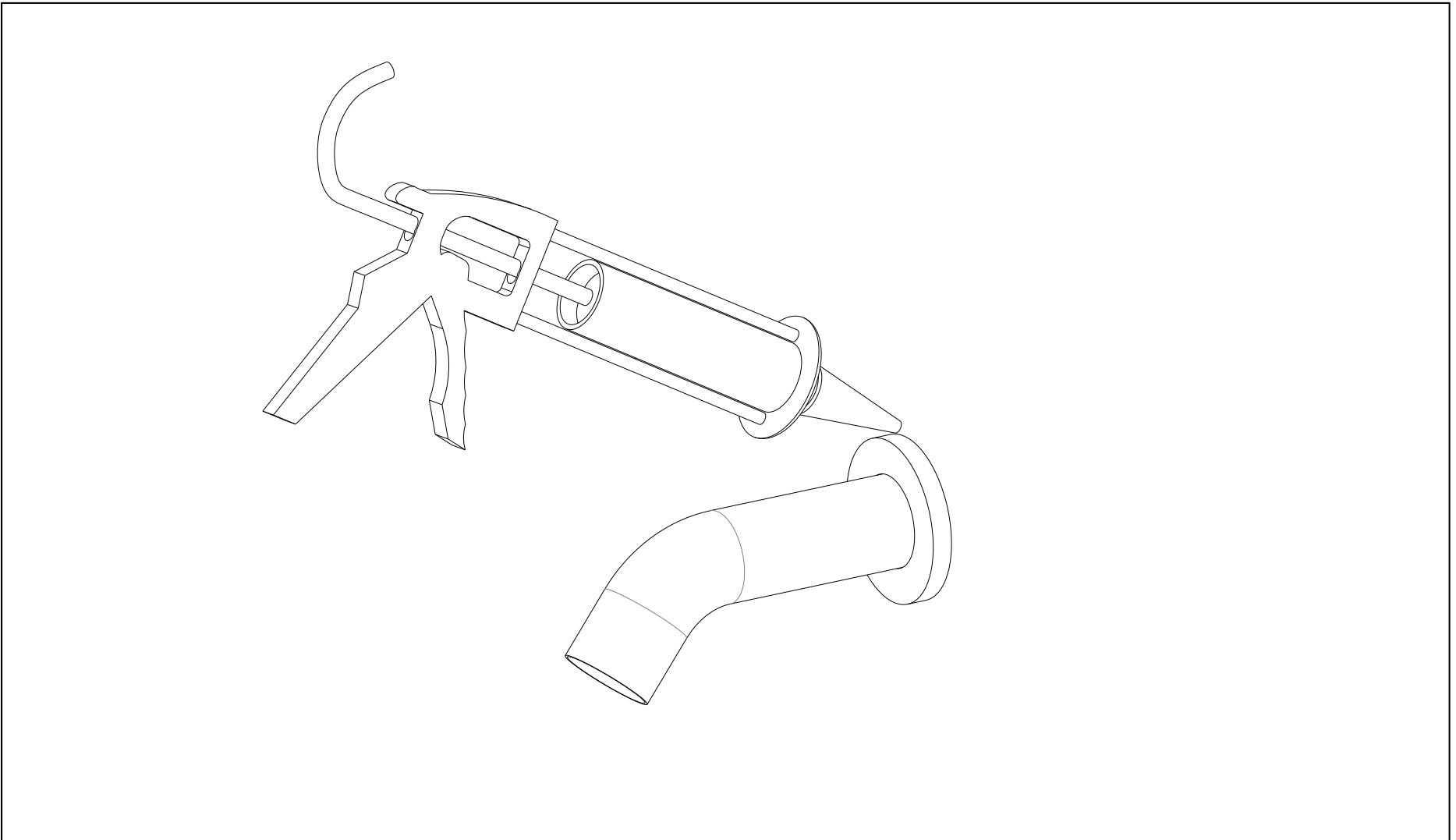
7.6. Docking the tub spout to the spout connector and secure with set screws by Allen wrench.



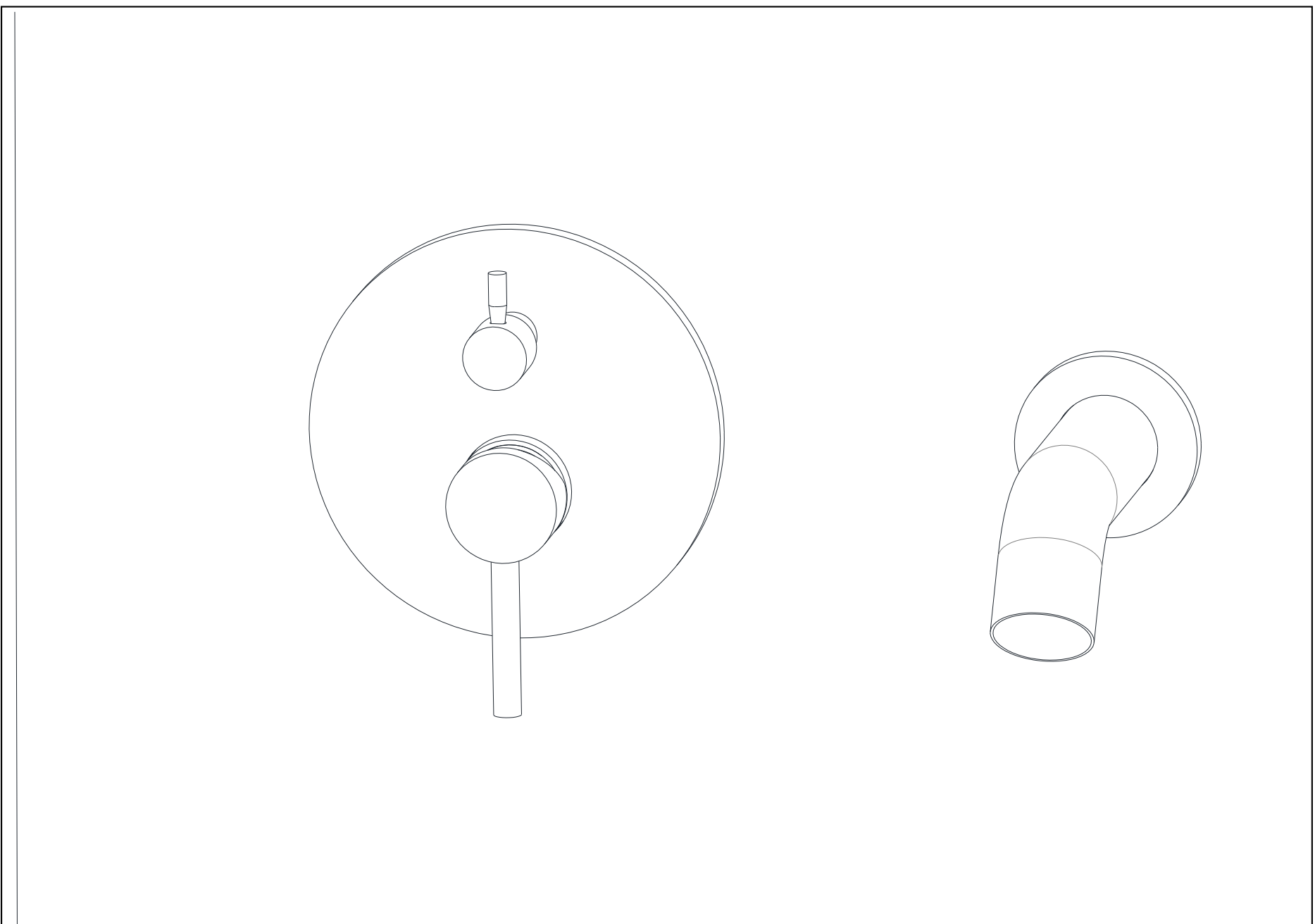
7.7 Attach the flange to finish wall.



7.8. Seal the wall around the flange with waterproof sealant.

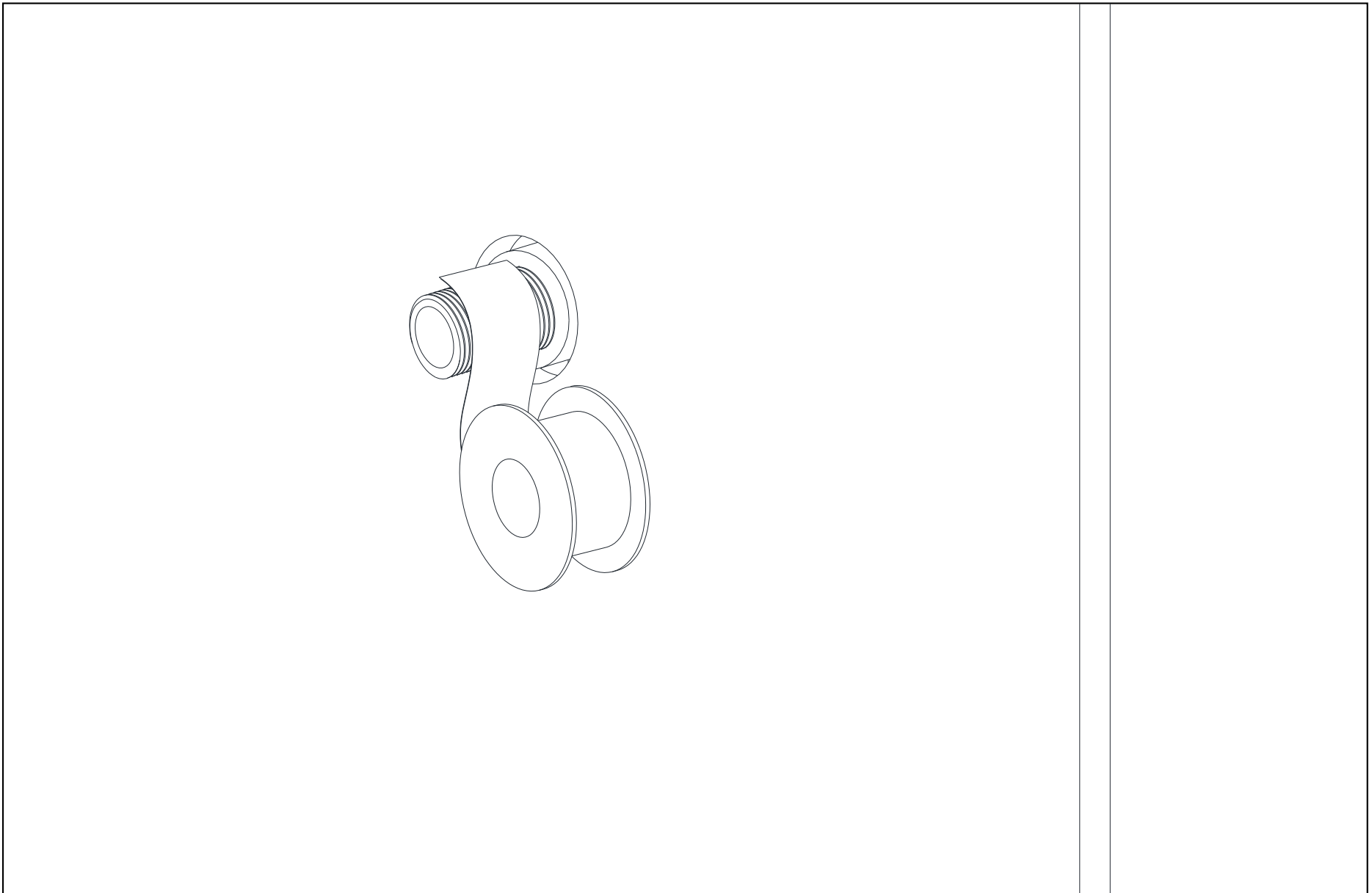


7.9 Tub spout install finish.

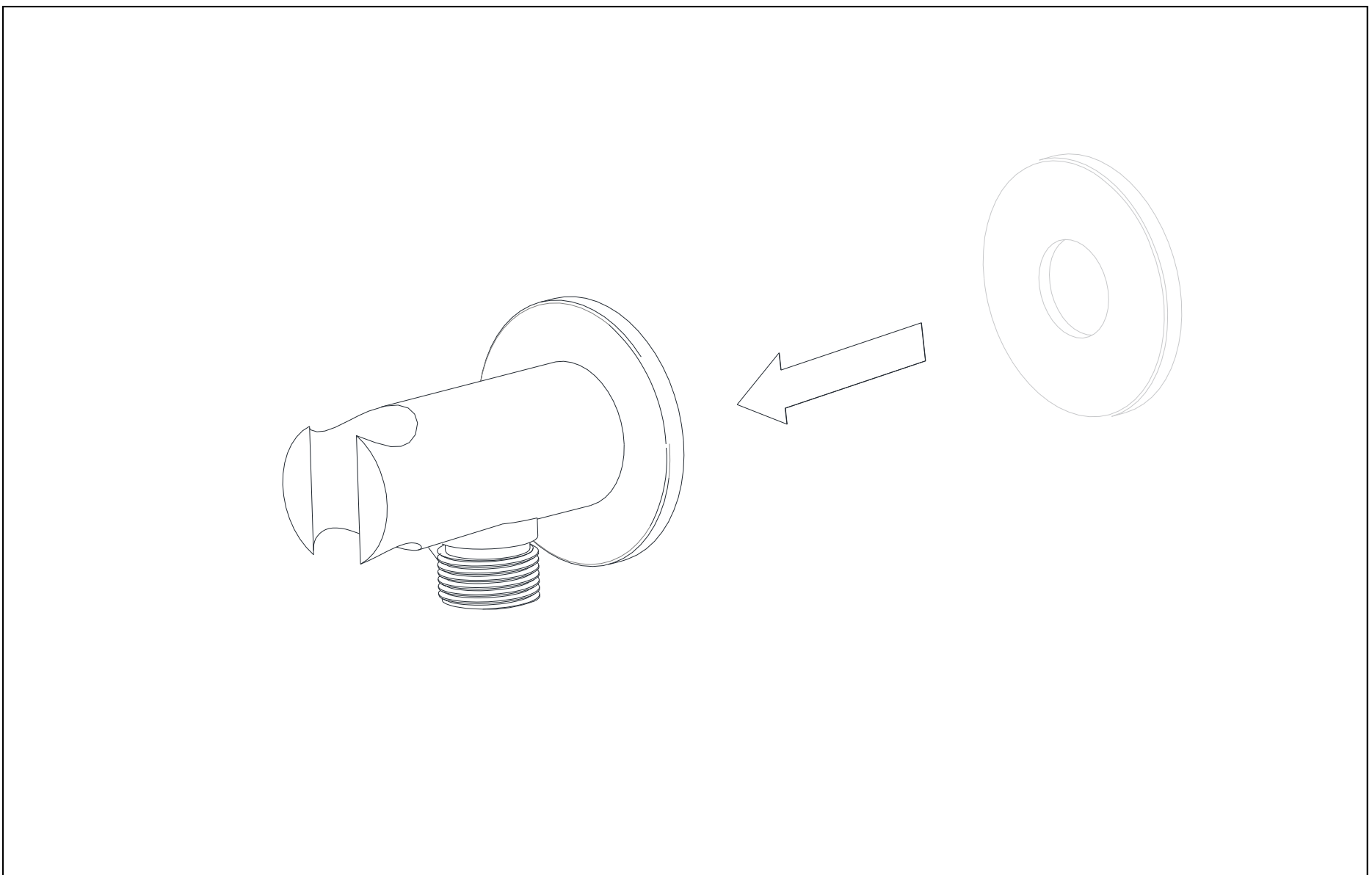


8. HAND SHOWER INSTALLATION

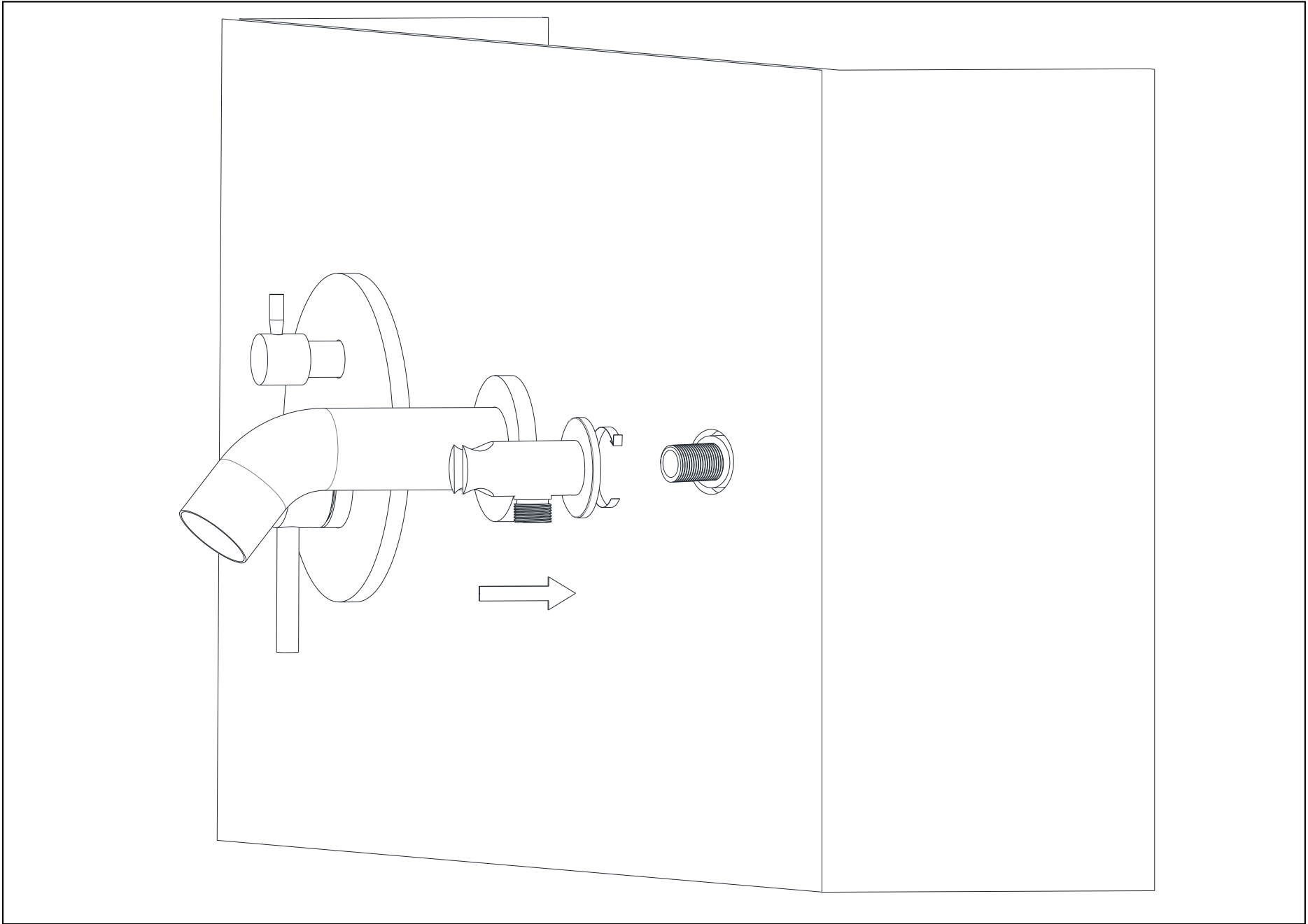
8.1 Apply Teflon tape to the thread of wall supply elbow.



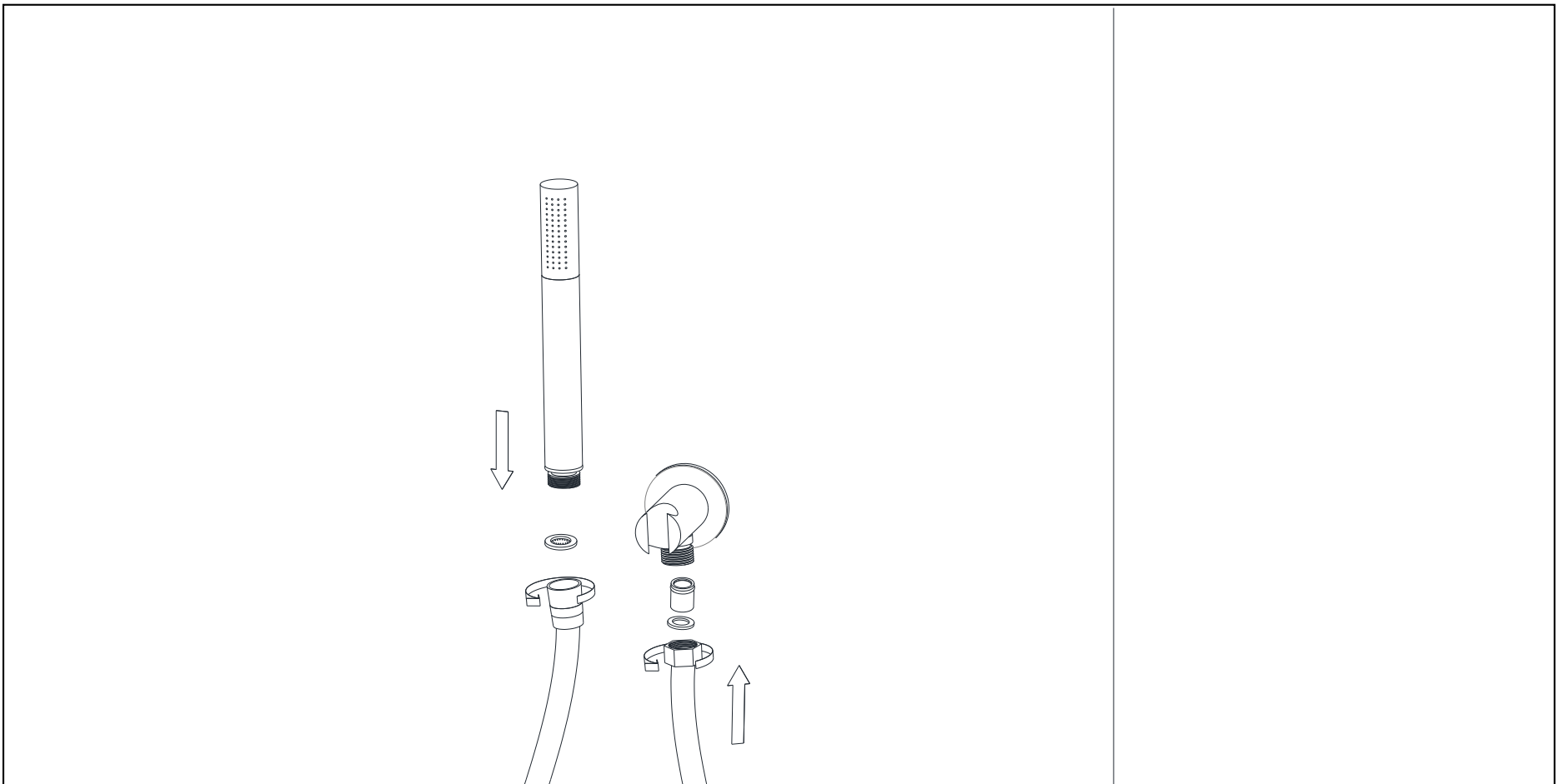
8.2 Attach the flange to the hand shower holder.

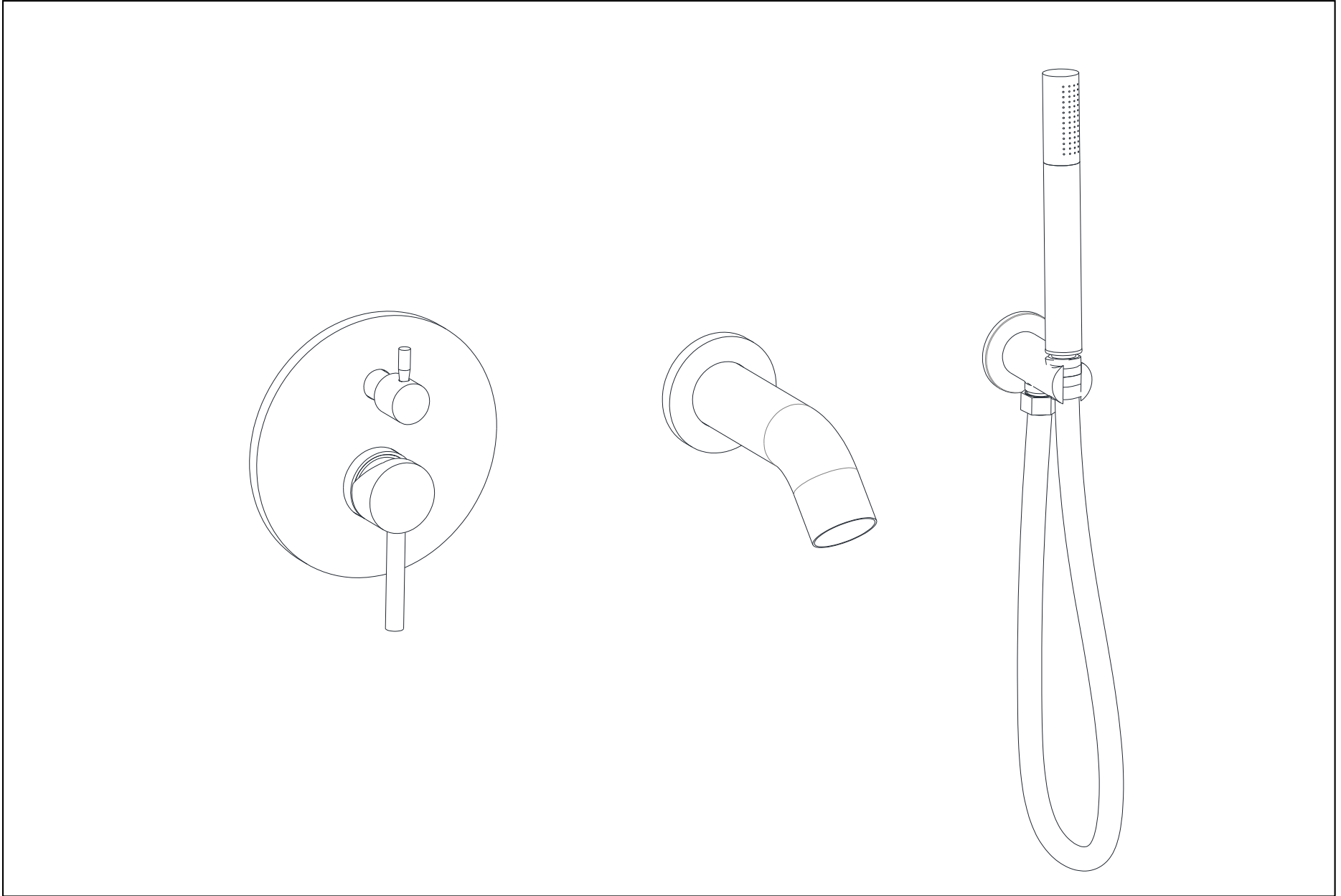


8.3 Screw the hand shower holder into the pipe elbow inside the wall.



8.4 Connect the hand shower to the hand shower holder with flexible hose.





9. INSPECTION

9.1 Turn on hot and cold water supply and check all connection for ensuring no leaking anywhere.

10. FUNCTION INSPECTION

10.1 Rotate the handle left for hot water and right for cold water.

10.2 When the diverter knob is in the up position, water flows from the handheld shower. Rotate the diverter knob 90 degrees clockwise to activate the tub spout.

INSTALLATION FINISHED

CLEANING RECOMMENDATION FOR SUMERAIN PRODUCTS

Modern lavatory faucets, kitchen faucets, and showers are built using a wide variety of materials to cater to the market's demands for design and functionality. To avoid damage and potential returns, adhering to specific cleaning guidelines is crucial.

Cleaning Materials for faucets & showers

When cleaning faucets and showers, it is important to consider the following professional terms:

- Acidic cleaning agents are essential for lime removal.
- Ensure to use only cleaning agents that are specifically designed for this particular application.
- Avoid using cleaning agents containing hydrochloric, formic, phosphoric, or acetic acid, as they can cause significant damage.
- Avoid mixing different cleaning agents, as this can cause harmful chemical reactions.
- Avoid using abrasive cleaning agents or tools, including unsuitable cleaning powders, sponge pads, or microfiber cloths that could damage the surface.

Cleaning instructions for faucets & showers

Please follow the cleaning material manufacturer's instructions. In addition, pay attention to the following points:

- Clean faucets and showers regularly as needed to maintain their optimal function and appearance.
- Apply the recommended amount of cleaning product for the specified duration. Be sure not to leave the cleaner on the faucets longer than necessary to avoid potential damage.
- Regular cleaning can help prevent calcification. If you notice scale deposits on the faucet surface or spout, use a commercial descaler such as Lime-Away® or CLR®.
- In case of rust formation due to hard water conditions, gently abrade the affected area with aluminum foil soaked in water until the surface is smooth. Subsequently, apply a modest amount of chrome polish or a suitable product like automotive wax (for instance, Meguiar's®, Turtle Wax®) to buff the surface.
- Solid stainless steel faucets and spouts, especially waterfall spouts, typically lack a protective coating. Although stainless steel is naturally resistant to tarnishing, it can oxidize over time and react to its environment. Therefore, it's crucial to keep stainless fixtures clean and dry. Use a cleaner specifically designed for stainless steel, such as Weiman® or CLR®.
- When using a spray cleaner, it is recommended that you first apply it to a soft cloth or sponge rather than spraying it directly onto the faucet. This method helps prevent water droplets from entering the faucet opening and causing potential damage.
- After cleaning, thoroughly rinse with clean water to remove any residue from the cleaner.

Important

Residues from liquid soap, shampoo, and shower gel can also contribute to damage. Therefore, it's crucial to thoroughly rinse these substances off with clean water after use.



Note: if the surface is already damaged, the application of cleaning materials might exacerbate the damage.

Components with damaged surfaces must be replaced or injury could result.

Note that any damage resulting from improper treatment is not covered by the warranty.



SUMERAIN INTERNATIONAL GROUP INC

Address: 1226 NORTH KING ST NUM 522
WILMINGTON, DE 19801
United States

Tel: +1(866)203-0866

Web: <http://www.sumerain.com>

E-mail: supports@sumerain.us

HONGKONG SUMERAIN SANITARY INDUSTRY CO., LIMITED

Address: FLAT/RM 3B 3/F BANK TOWER
NOS.351&353 KING'S ROAD
NORTH POINT
HK

Tel: +86-750-2731579

E-mail: supports@sumerain.com

SUMERAIN EUROPE SUPPORT

Address: Flottwellstr.15
10785 Berlin,
Deutschland

Tel: +49 (0)30/23975898

E-mail: de@sumerain.com