




Assembly Instructions






ITEM NO. B1424-050
TALCOTT - DRESSER

Thank you for purchasing this quality product. Be sure to check all packing materials carefully for small parts, which may have come loose inside the carton during shipment. Identify and count all items and compare with the parts list and/or hardware list shown below.

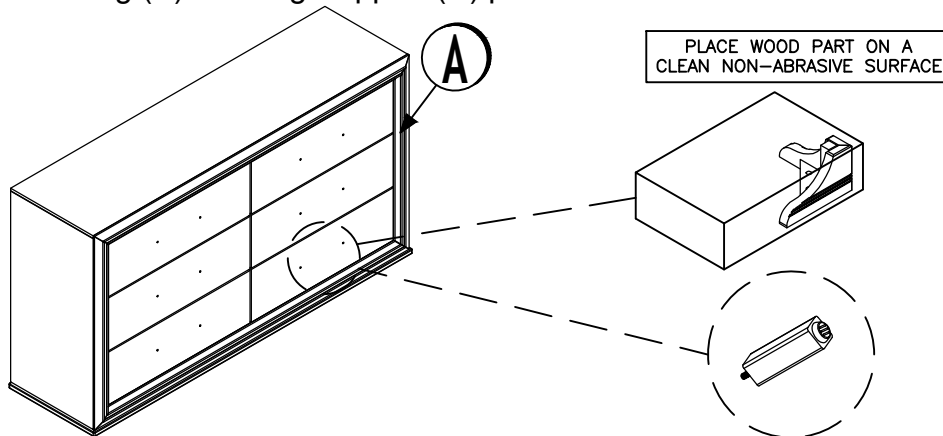
Caution : please read the instruction thoroughly before assembly.

1. We recommended that you assemble this product with the assistance of another person, this will make the assembly easier, and will help eliminate damage to the product or injury to persons during assembly.
2. Please do not tighten screws or bolt until the assembly is completed.
3. Please put all parts on a non-abrasive floor before assembly and follow the assembly steps to assemble your newly purchased product correctly and efficiently.

PARTS LIST			
NO.	DESCRIPTION	SKETCH	QTY
A	DRESSER		1 pc
B	LEG		4 pcs
C	LEG SUPPORT		1 pc

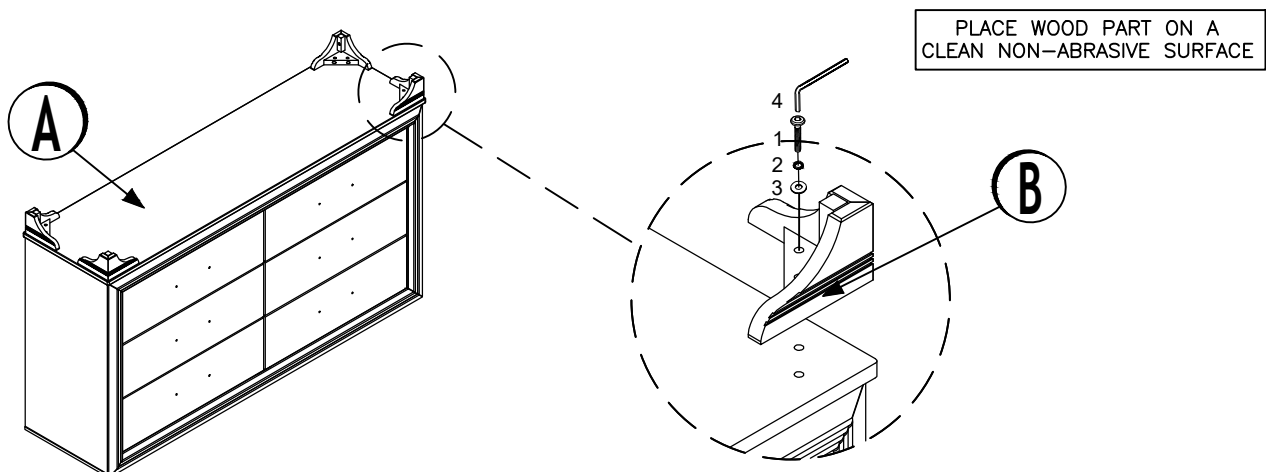
HARDWARE LIST			
NO.	DESCRIPTION	SKETCH	QTY
1	JCBC - M6 x 1-3/8"		8 pcs
2	SPRING WASHER - M8		8 pcs
3	FLAT WASHER - M8 x 25/32"		8 pcs
4	ALLEN KEY - M4		1 pc
5	ANTI TIPPING KIT		1 pc

STEP 1 : Locate the Leg (B) and Leg Support (C) pack in the lowest drawer.



STEP 2 :

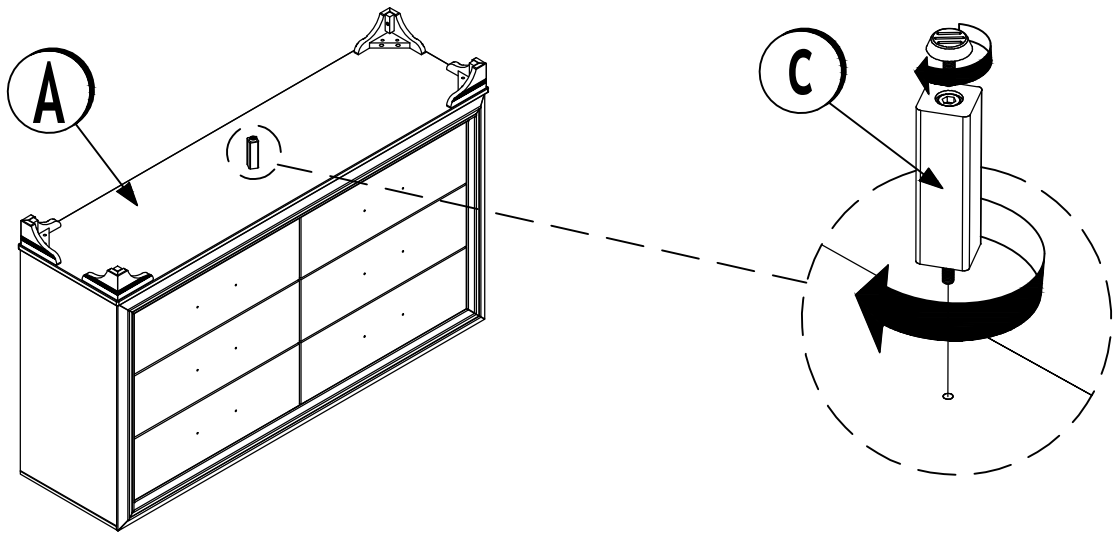
Assemble the Leg (B) to the Dresser (A) by using Allen Key (4) with hardware 1, 2, and 3



STEP 3 : Assembly the Leg Support (C) to the Dresser (A).

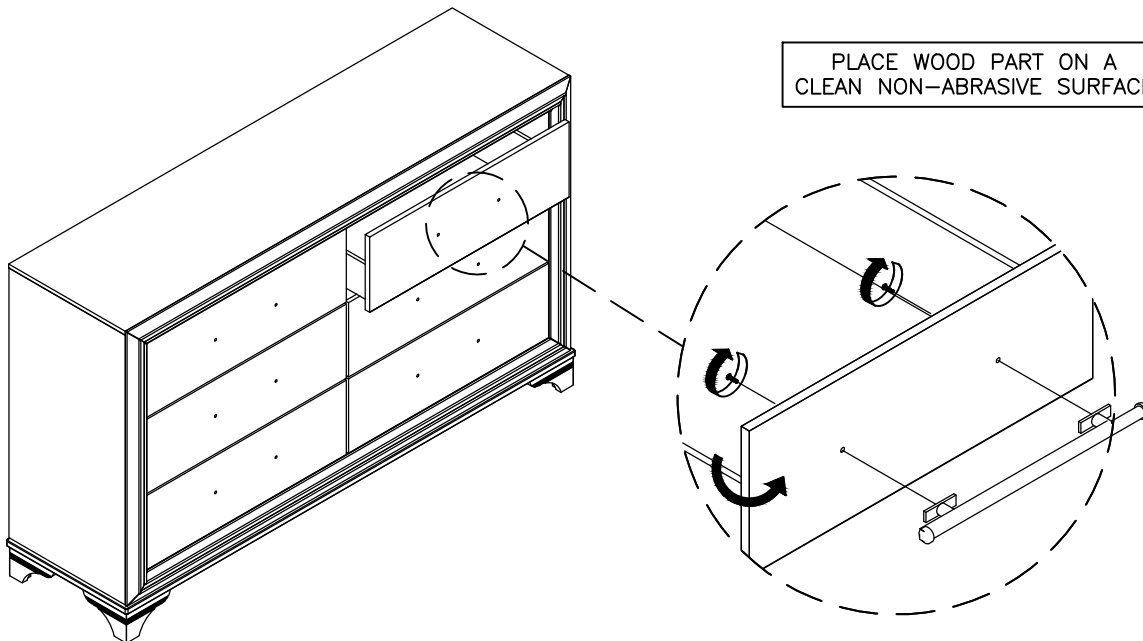
*Twist to adjust the height of the leveler on Leg Support (C) for stability.

PLACE WOOD PART ON A
CLEAN NON-ABRASIVE SURFACE

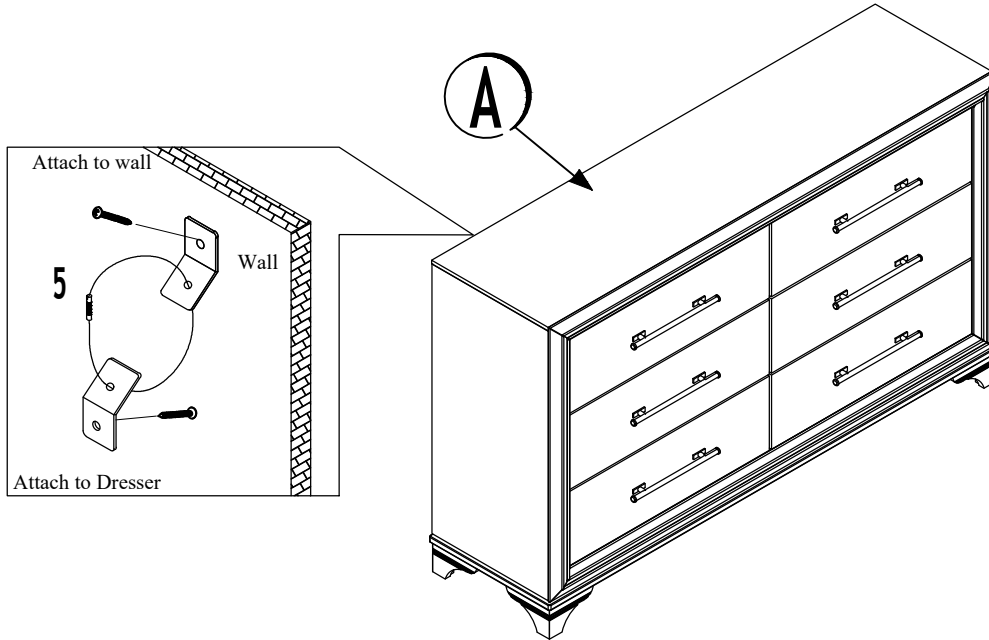


STEP 4 : Pull open the drawer and remove the handle from the inside of the drawer to the front of the drawer by using a screwdriver.

PLACE WOOD PART ON A
CLEAN NON-ABRASIVE SURFACE






STEP 5 : Assembly the Anti-Tipping Kit (5) to the Dresser (A).







Thank you for purchasing this quality product. Be sure to check all packing materials carefully for small parts, which may have come loose inside the carton during shipment. Identify and count all items and compare with the parts list and/or hardware list shown below.

Caution : please read the instruction thoroughly before assembly.

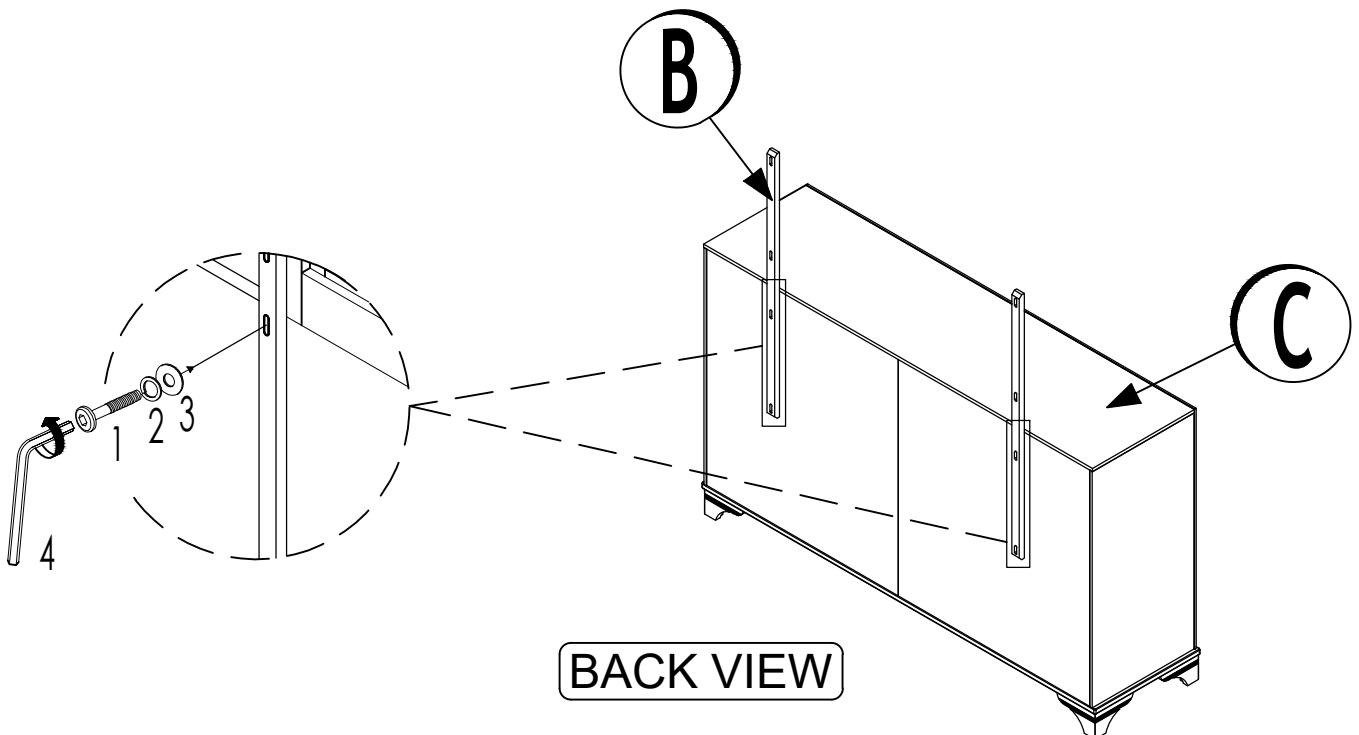
1. We recommended that you assemble this product with the assistance of another person, this will make the assembly easier, and will help eliminate damage to the product or injury to persons during assembly.
2. Please do not tighten screws or bolt until the assembly is completed.
3. Please put all parts on a non-abrasive floor before assembly and follow the assembly steps to assemble your newly purchased product correctly and efficiently.

PARTS LIST			
NO.	DESCRIPTION	SKETCH	QTY
A	MIRROR		1 pc
B	MIRROR SUPPORT		2 pcs
C	DRESSER		1 pc

HARDWARE LIST			
NO.	DESCRIPTION	SKETCH	QTY
1	JCBC - M6 x 1-3/8"		8 pcs
2	SPRING WASHER - M8		8 pcs
3	FLAT WASHER - M8 x 25/32"		8 pcs
4	ALLEN KEY - M4		1 pc

STEP 1 : Assemble the Dresser (C) with the Mirror Support (B) by using Allen Key (4) with hardware 1, 2 AND 3.

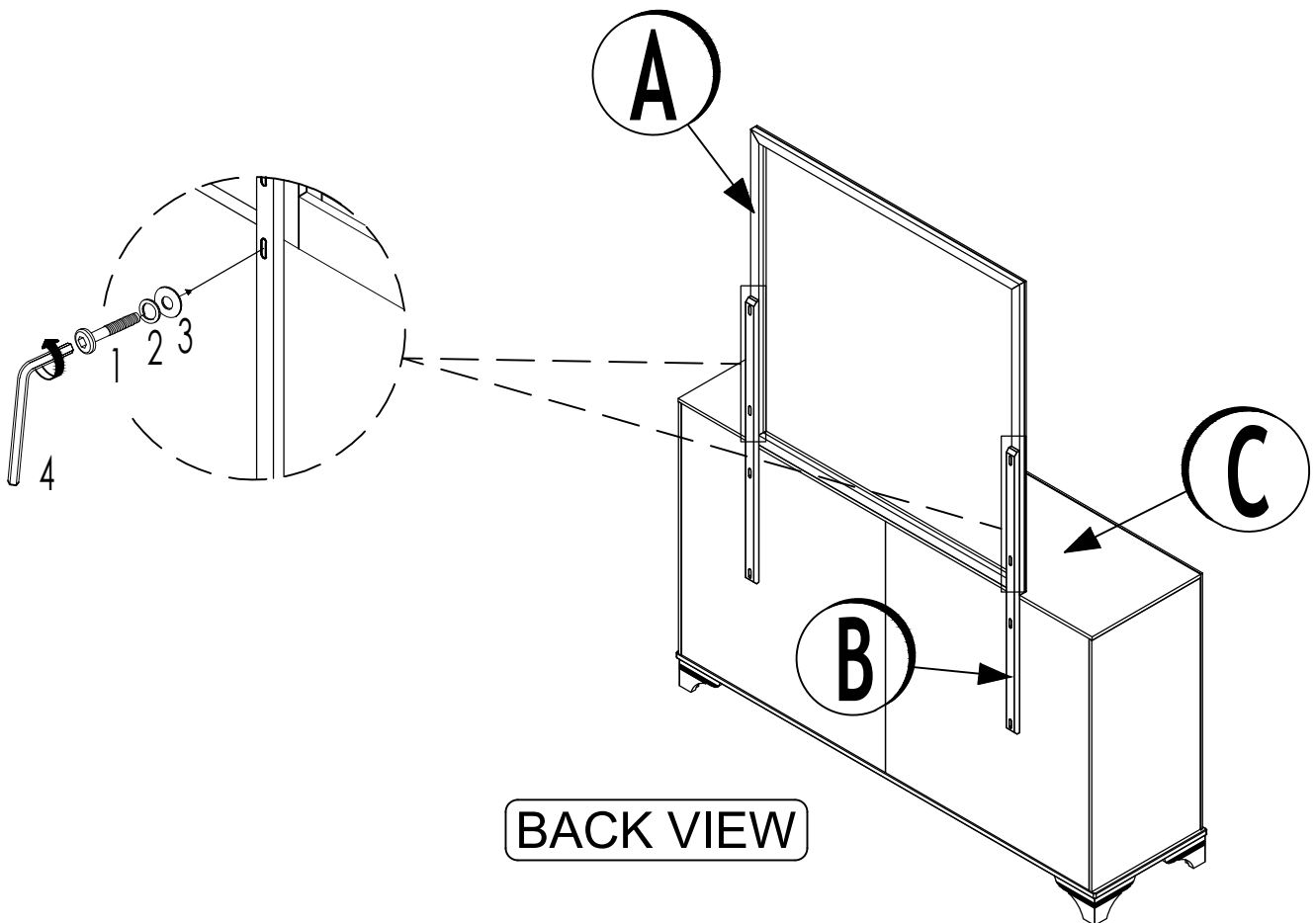
PLACE WOOD PART ON A
CLEAN NON-ABRASIVE SURFACE



Thank you for purchasing this quality product. Be sure to check all packing materials carefully for small parts, which may have come loose inside the carton during shipment. Identify and count all items and compare with the parts list and/or hardware list shown below.

STEP 2 : Assemble the Mirror Support (B) with the Mirror (A) by using Allen Key (4) with hardware 1, 2 and 3.

PLACE WOOD PART ON A
CLEAN NON-ABRASIVE SURFACE



BACK VIEW