

ASSEMBLY INSTRUCTIONS

Dining Chair

ASSEMBLY
REQUIREMENTS

1-Person
Assembly

30 Minutes
Assembly Time
Per Chair

Tools Required
(Not Provided)



Wrench

Thank you for purchasing our product!

Please refer and use this assembly instruction to assemble the product. Contact our customer service department in case there are any missing or damage parts or hardware. Replacement parts are normally shipped within 2 or 3 days.



ASSEMBLY PREPARATION

1. Remove all packaging materials, staples and packing straps from the carton.
2. Refer to Parts List and Hardware List, and ensure parts and hardware are correct before assembly.
Contact customer service for missing parts.
3. Place all wooden parts on a clean, flat and soft surface (e.g. carpet or rug) to prevent parts from getting scratched.

SAFETY PRECAUTION

1. KEEP ALL HARDWARE PARTS OUT OF REACH OF CHILDREN.
2. DISPOSE PLASTIC PACKAGING MATERIAL IMMEDIATELY TO AVOID ANY RISK OF SUFFOCATION TO CHILDREN AND ANIMALS.

TIPS FOR ASSEMBLY

1. Allow ample room for assembly and in close proximity to where product will be placed.
2. Assemble the product on a surface that does not scratch or damage the exterior gloss and finish of the furniture.
3. Identify all of the parts, hardware and quantities required for each step.
4. During assembly, do not over-tighten any fittings as this may cause damage.
5. DO NOT USE POWER TOOLS TO ASSEMBLE THIS PRODUCT.
6. Always place the product on a flat, level surface.
7. Do not sit or stand on the partially assembled product; only use the product for which it is intended.

CARE AND MAINTENANCE





- Use a slightly damp cloth to clean the product. Do not use bleach or abrasive cleaning material.
- Check all the fittings periodically and re-tighten as necessary. Do not use the product if any of the parts is damaged or broken.
- Never allow any kind of liquid to remain on your furniture. Absorption can cause wood to warp or delaminate.
- Do not place hot items (e.g. hot drinks) directly onto the wood surface.
- Do not drag and/or pull the furniture.




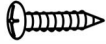

This product is for indoor and household use only - not for commercial use.

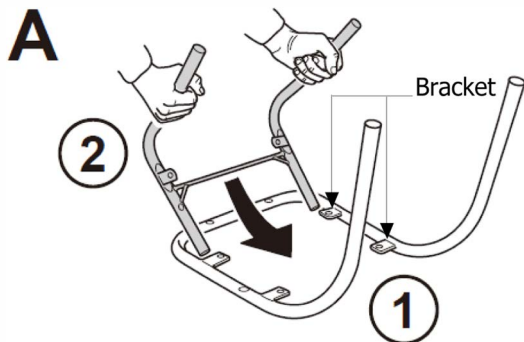
ASSEMBLY INSTRUCTIONS

Dining Chair

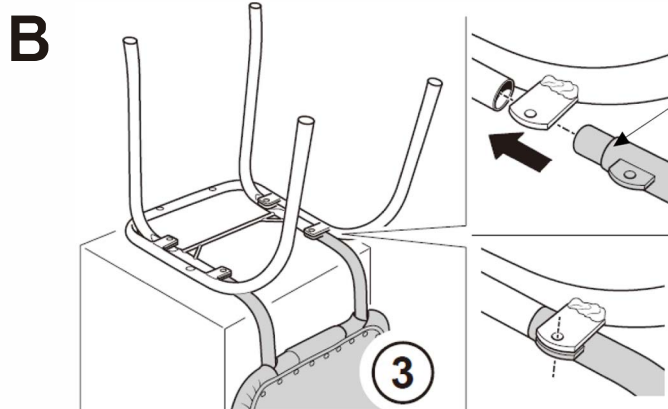
Parts and Hardware List

ITEM	DISCRIPTION	PART	QTY
●	Back Leg		1 pc
●	Front Leg		1 pc
●	Chair Back		1 pc
●	Chair Seat		1 pc

ITEM	DISCRIPTION	PART	QTY
A	Screw 6x16mm		4 pcs
B	Screw Nut		4 pcs
C	Screw 6X40mm		2 pcs
D	Screw 5X40mm		2 pcs
E	Allen Key		1 pc



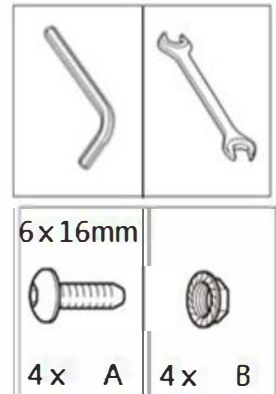
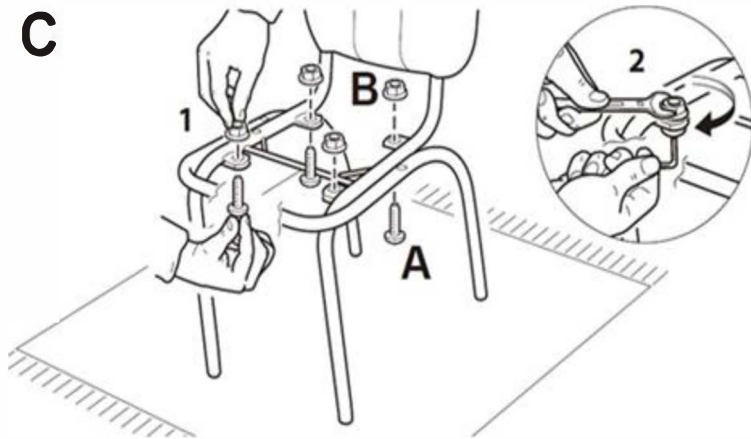
- a) Position Back Leg (1) as shown.
- b) Slide Front Leg (2) beneath brackets of Back Leg (1).
- c) Align the bracket on (2) to the front bracket of (1).



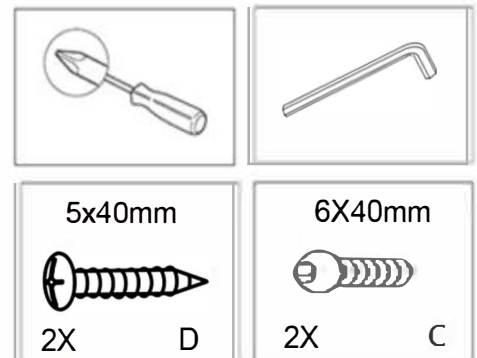
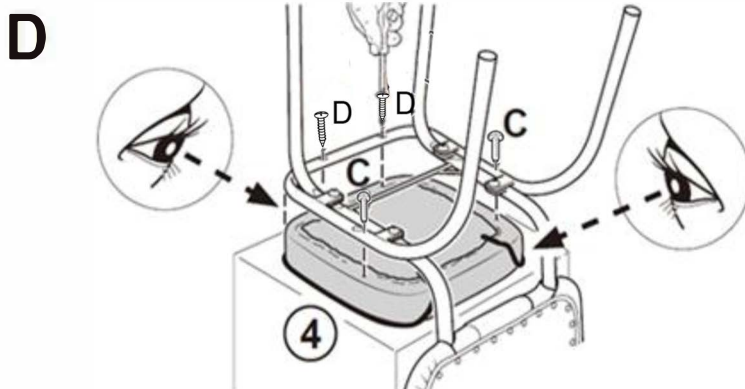
- a) Connect the base of Chair Back (3) to Front Leg (2).
- b) Align the bracket on base of (3) to the bracket on (1).

ASSEMBLY INSTRUCTIONS

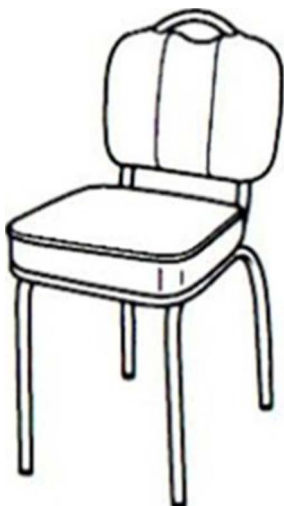
Dining Chair I



- a) Ensure the brackets on each part are aligned.
- b) Use Screw (A) and Nut (B) to fasten the parts as shown. Use a wrench to hold the screw nut and Allen Key to tighten the screw.



- a) Lay Chair Seat (4) bottom-side up on an elevated surface (e.g. table top).
- b) Position leg assembly to fit squarely on the bottom-side of (4).
- c) Use Screw (C) and Screw (D) to fasten Back Leg to (4). Use Allen Key (E) to drive and tighten (C) and Phillips screwdriver to drive and tighten (D).



Set the chair right-side up.
The assembly of the chair is complete.