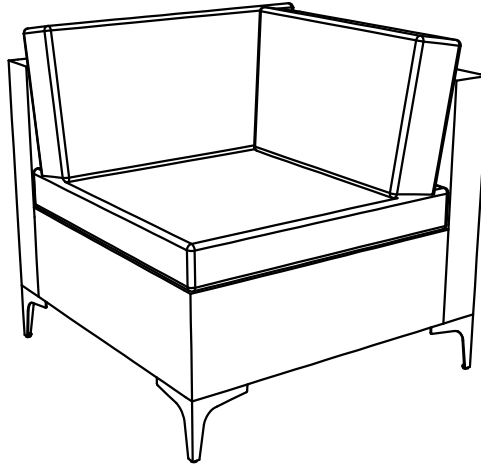


# Assembly Instruction

## Advice:

1. Power tools are suggested to be used during installation.
2. More than one person may be required to assemble this product.
3. The best advice is not tightening up any screws until the whole piece is assembled. If having difficulty aligning holes, loosen the screws already installed and readjust the armrest.
4. To avoid mess-up or mismatch, please use the hardware of each box to install the furniture in the same box.



Left Arm Sofa

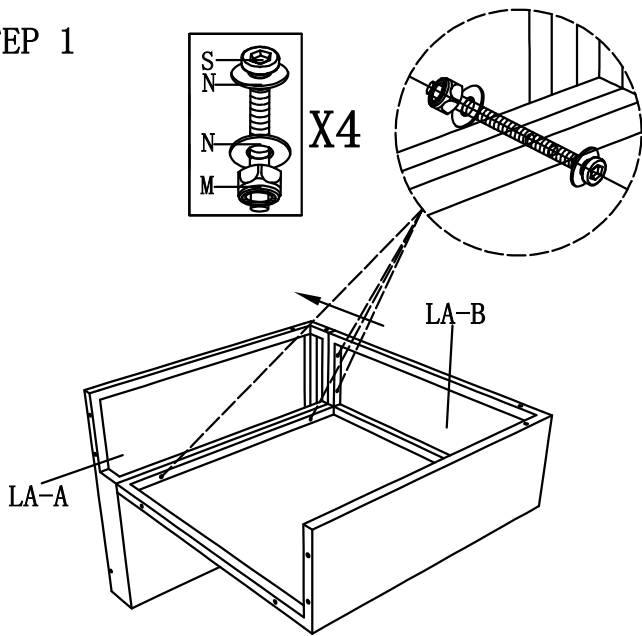


Assembly Video

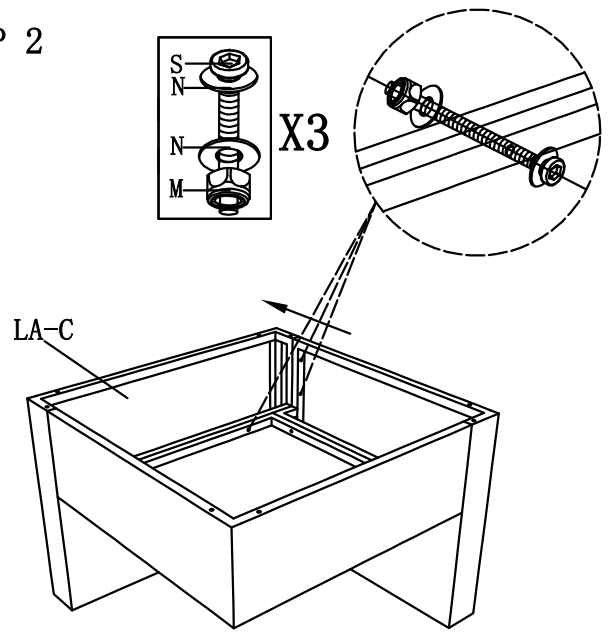
## Parts List

NO.	Picture	Description	QTY
LA-A		Chair Back	1
LA-B		Chair Seat	1
LA-C		Left Arm	1
LA-E		Back Cushion	1
LA-F		Seat Cushion	1
LA-G		Armrest Cushion	1
LA-D		Sofa Leg	4
N		Washer (M6)	29
Z		Screw (M6*16)	8
S		Screw (M6*60)	10
P		Screw (M6*95)	1
M		Nut (M6)	10
L		Allen Key	1
J		Wrench (M6)	1

STEP 1

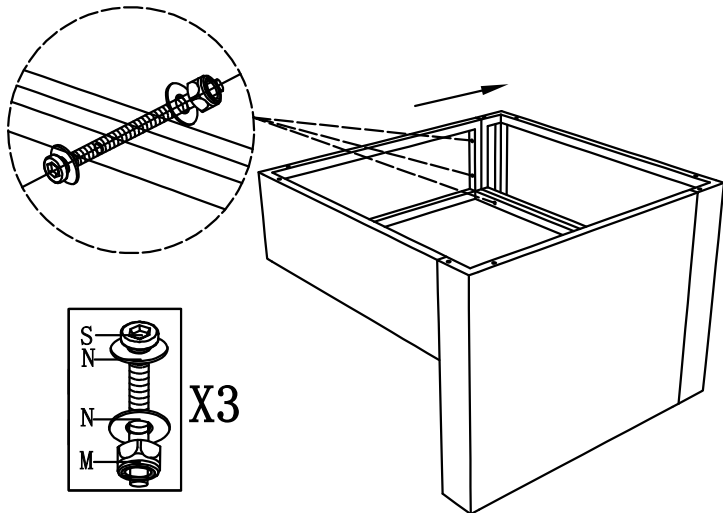


STEP 2

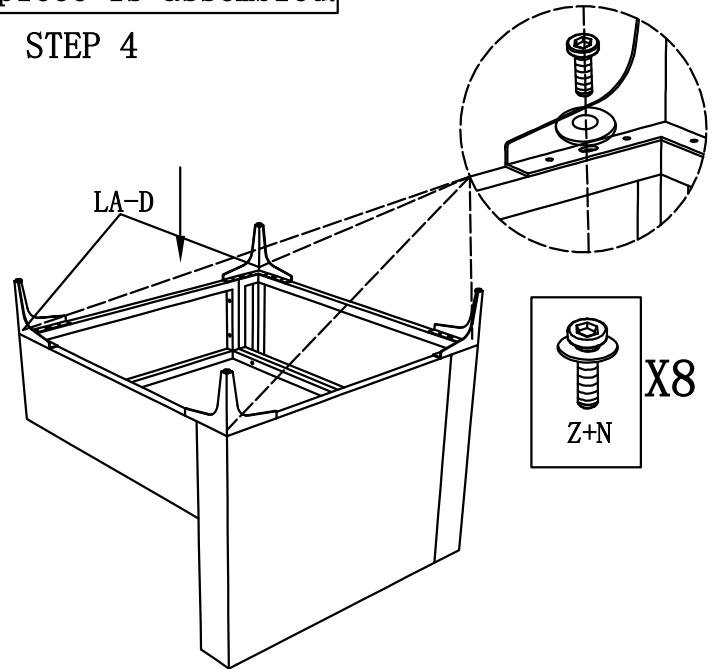


The best advice is not tightening up any screws until the whole piece is assembled.

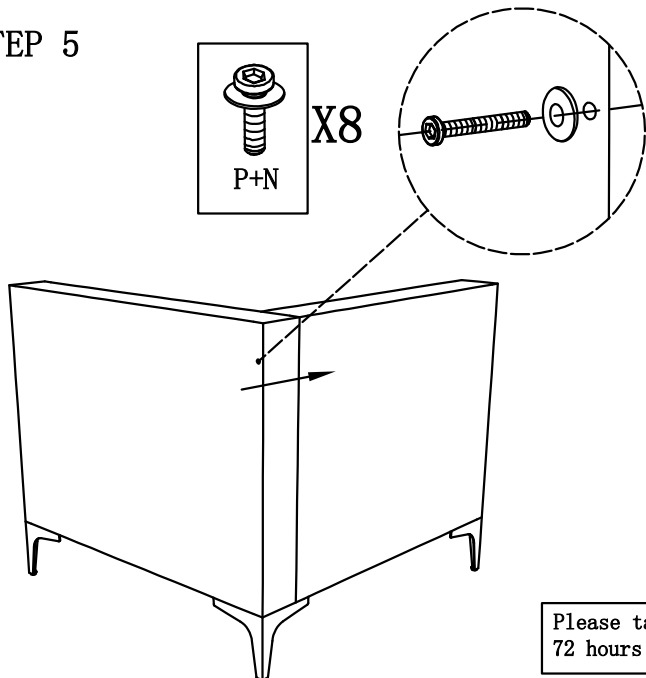
STEP 3



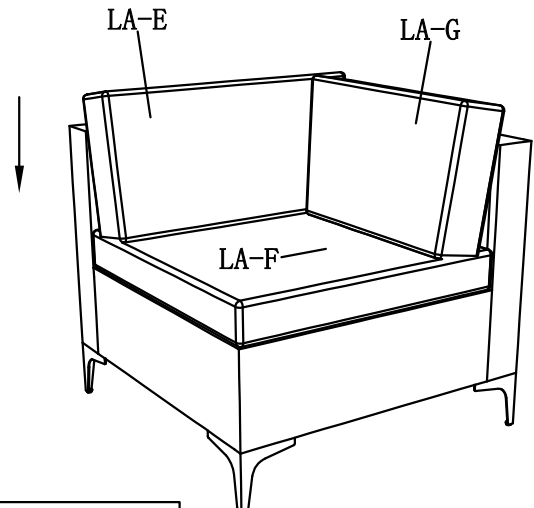
STEP 4



STEP 5



FINISH

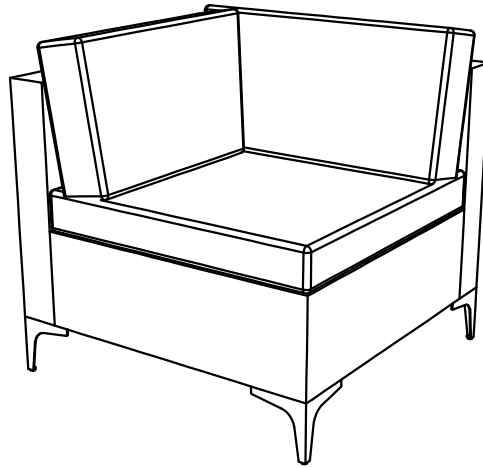


Please tap the cushions and wait 48 to 72 hours to fully rebound

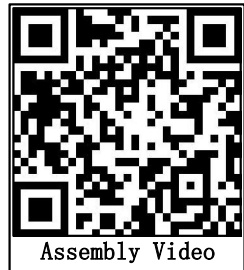
# Assembly Instruction

## Advice:

1. Power tools are suggested to be used during installation.
2. More than one person may be required to assemble this product.
3. The best advice is not tightening up any screws until the whole piece is assembled. If having difficulty aligning holes, loosen the screws already installed and readjust the armrest.
4. To avoid mess-up or mismatch, please use the hardware of each box to install the furniture in the same box.



Right Arm Sofa

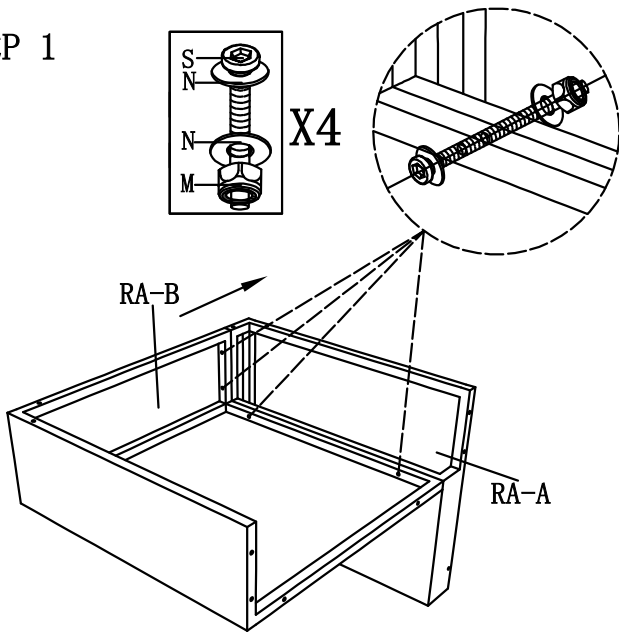


Assembly Video

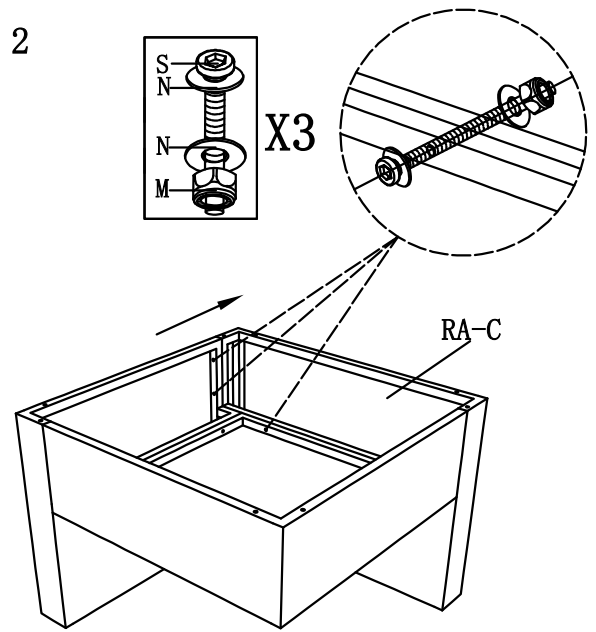
## Parts List

NO.	Picture	Description	QTY				
RA-A		Chair Back	1	RA-D		Sofa Leg	4
RA-B		Chair Seat	1	N		Washer (M6)	29
RA-C		Right Arm	1	Z		Screw (M6*16)	8
RA-E		Back Cushion	1	S		Screw (M6*60)	10
RA-F		Seat Cushion	1	P		Screw (M6*95)	1
RA-G		Armrest Cushion	1	M		Nut (M6)	10
				L		Allen Key	1
				J		Wrench (M6)	1

STEP 1

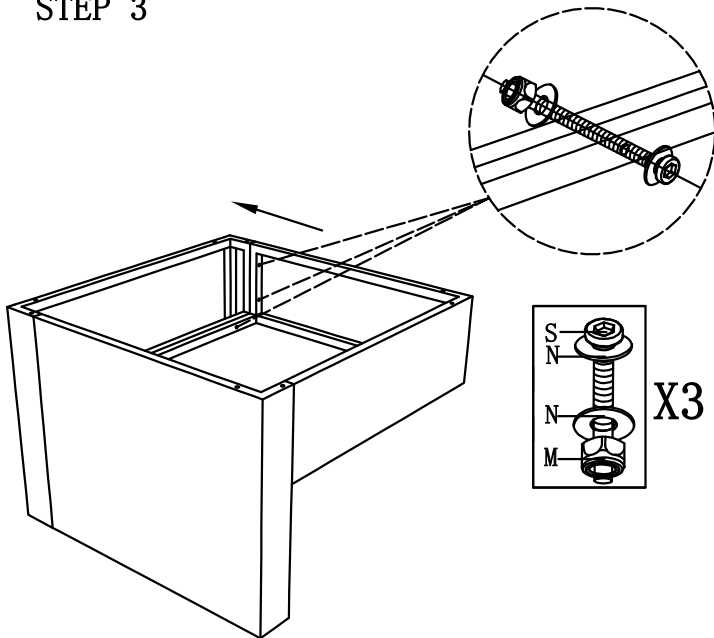


STEP 2

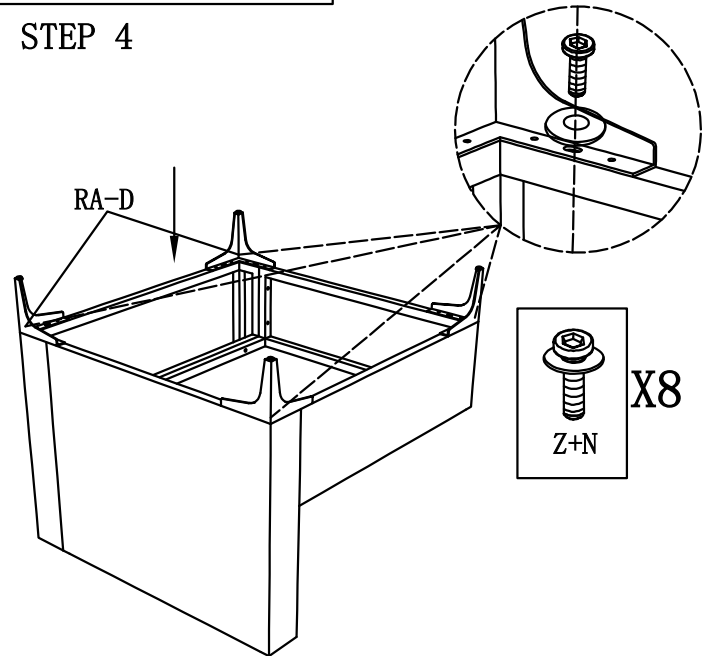


The best advice is not tightening up any screws until the whole piece is assembled.

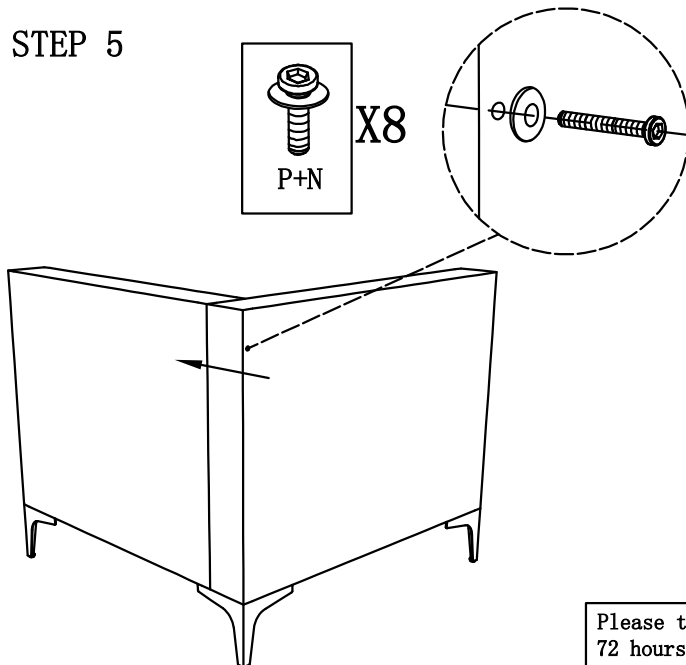
STEP 3



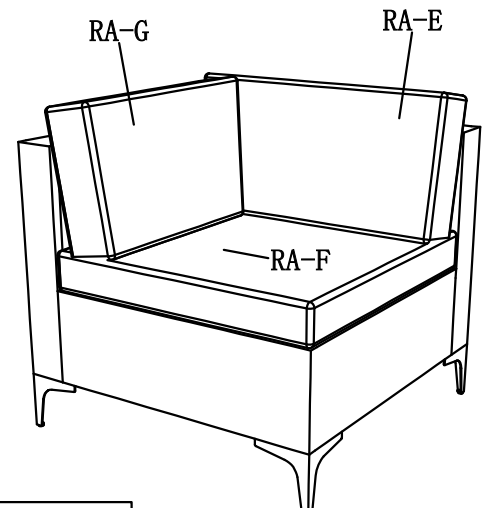
STEP 4



STEP 5



FINISH



Please tap the cushions and wait 48 to 72 hours to fully rebound

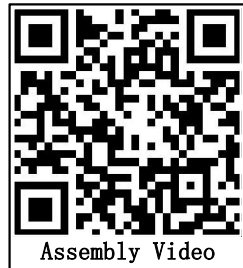
# Assembly Instruction

## Advice:


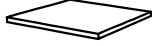



1. Power tools are suggested to be used during installation.
2. More than one person may be required to assemble this product.
3. The best advice is not tightening up any screws until the whole piece is assembled. If having difficulty aligning holes, loosen the screws already installed and readjust the armrest.
4. To avoid mess-up or mismatch, please use the hardware of each box to install the furniture in the same box.







Single Swivel Chair

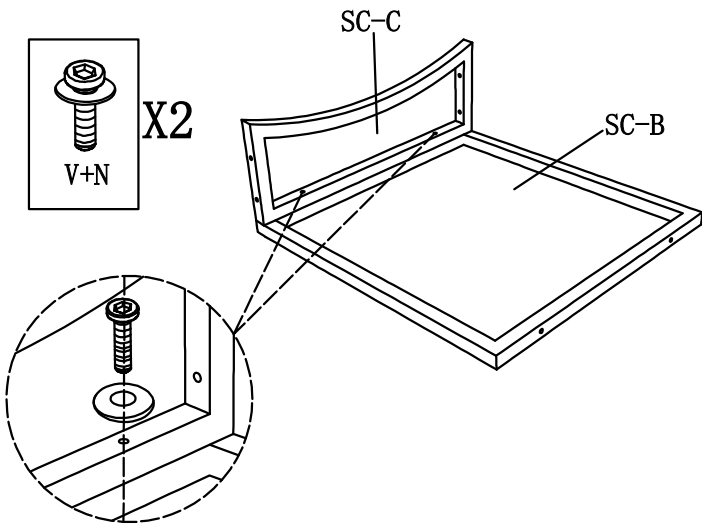


## Parts List

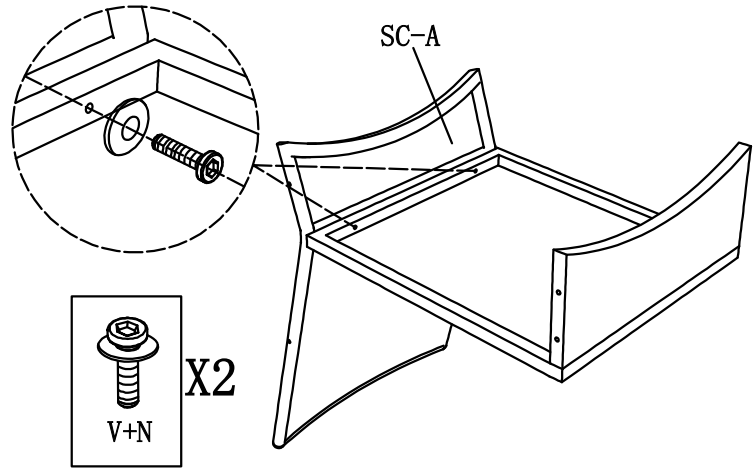
NO.	Picture	Description	QTY
SC-A		Chair Back	1
SC-B		Chair Seat	1
SC-C		Front Panel	1
SC-D		Right Arm	1
SC-E		Left Arm	1

NO.	Picture	Description	QTY
V		Screw (M6*35)	8
U		Screw (M6*40)	4
N		Washer (M6)	12
L		Allen Key	1

STEP 1

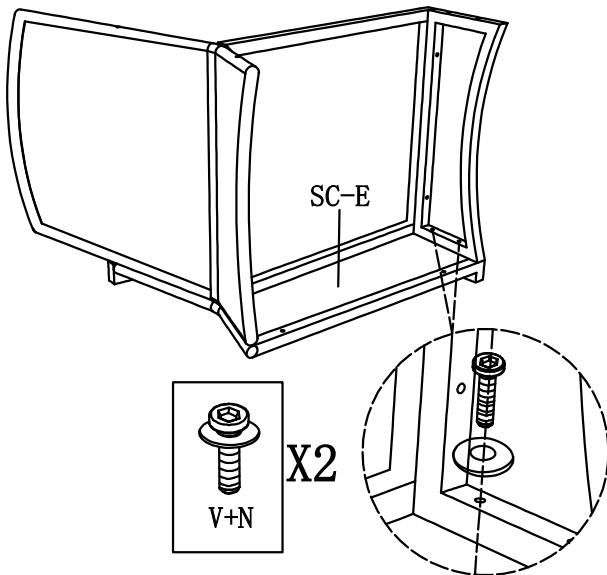


STEP 2

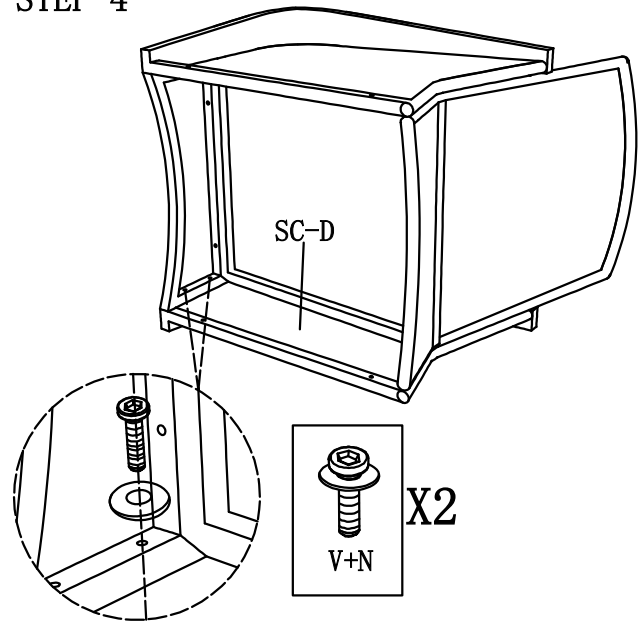


The best advice is not tightening up any screws until the whole piece is assembled.

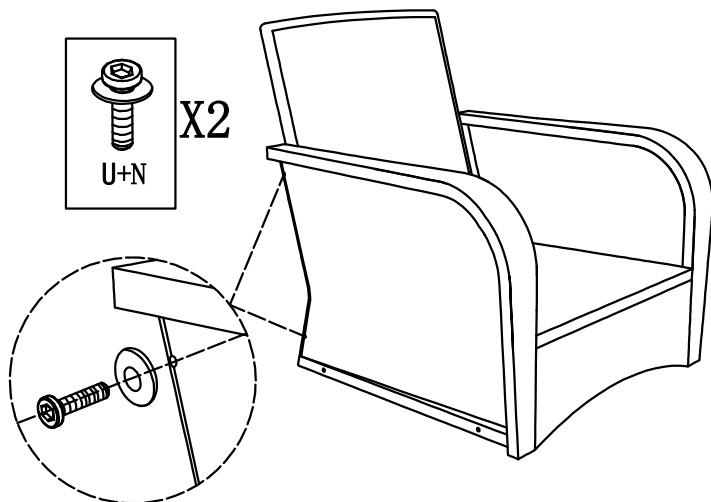
STEP 3



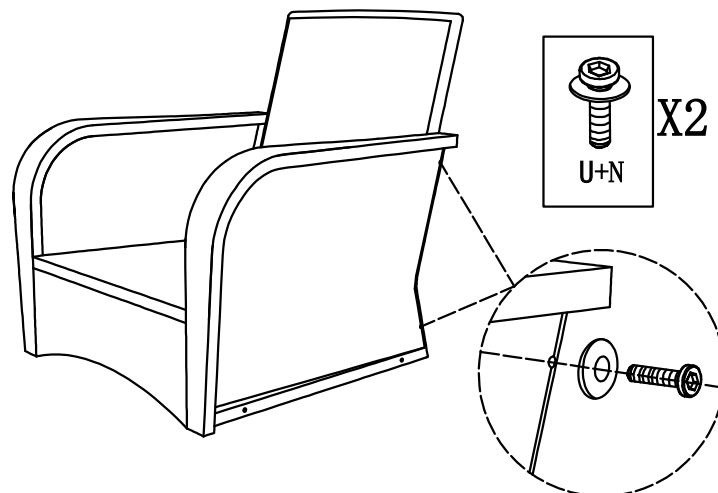
STEP 4



STEP 5



FINISH



# Assembly Instruction

## Advice:






1. Power tools are suggested to be used during installation.
2. More than one person may be required to assemble this product.
3. The best advice is not tightening up any screws until the whole piece is assembled. If having difficulty aligning holes, loosen the screws already installed and readjust the armrest.
4. To avoid mess-up or mismatch, please use the hardware of each box to install the furniture in the same box.






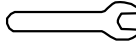


Single Swivel Chair

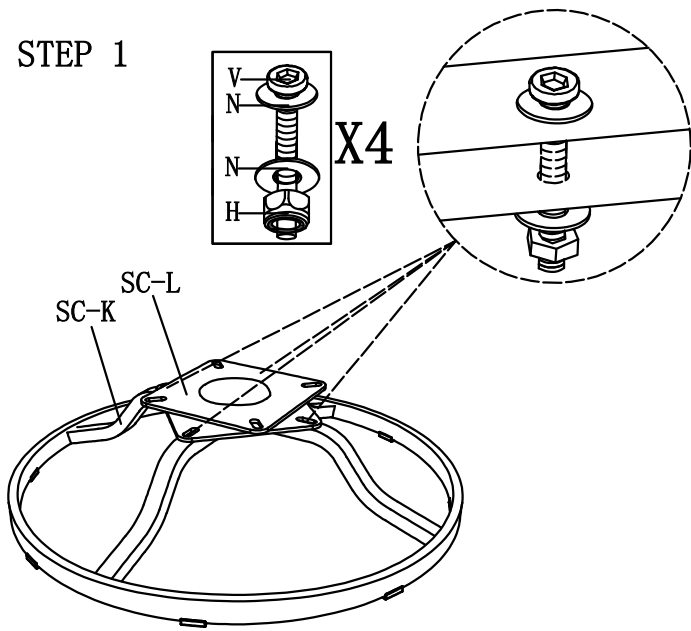


## Parts List

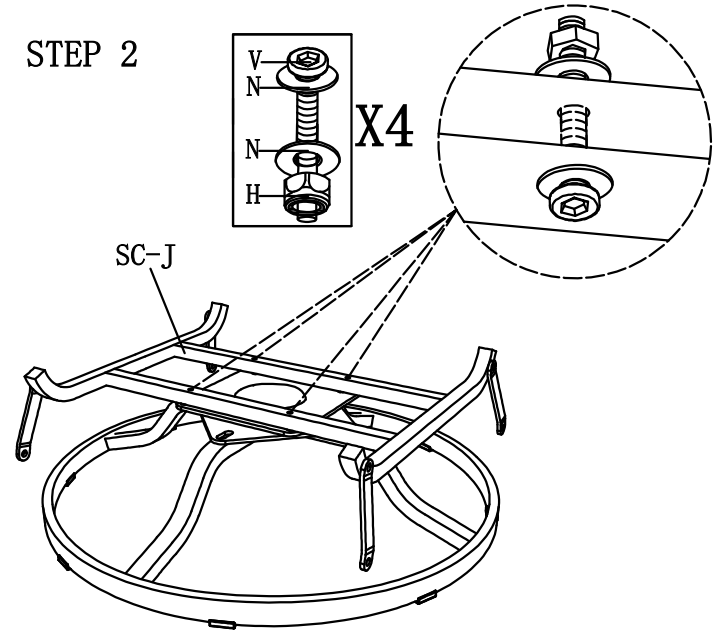
NO.	Picture	Description	QTY
SC-G		Back Cushion	1
SC-H		Seat Cushion	1
SC-J		Chair Base #1	1
SC-K		Chair Base #2	1
SC-L		Chair Base #3	1

NO.	Picture	Description	QTY
V		Screw (M6*35)	8
T		Screw (M6*45)	4
N		Washer (M6)	24
H		Anti-slip Screw (M6)	12
L		Allen Key	1
J		Wrench (M6)	1

STEP 1

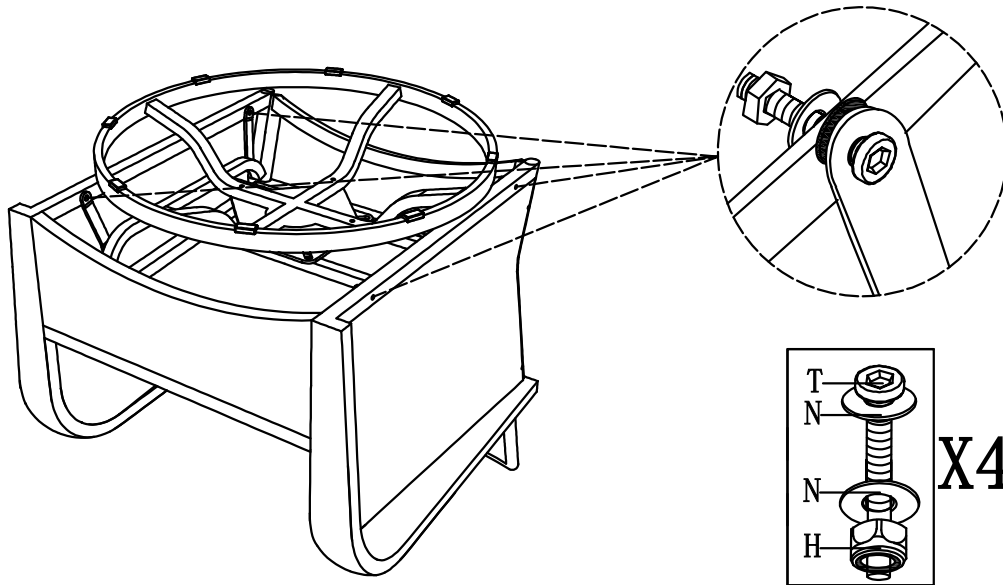


STEP 2



The best advice is not tightening up any screws until the whole piece is assembled.

STEP 3



FINISH

