

ASSEMBLY INSTRUCTION

ASSEMBLY INSTRUCTIONS

ASSEMBLY TIPS:

1. Remove hardware from box and sort by size.
2. Please check to see that all hardware and parts are present prior to start of assembly.
3. Please follow attached instructions in the same sequence as numbered to assure fast & easy assembly.



WARNING!

1. Don't attempt to repair or modify parts that are broken or defective. Please contact the store immediately.
2. This product is for home use only and not intended for commercial establishments.



ASSEMBLY TIME

20 MINUTES

PARTS IDENTIFICATION

A SEAT AND BACK



1PC

C BACK LEG



2PCS

B FRONT LEG



2PCS

D BOLTS

(M8x40MM)



8PCS

E WASHER

(M8x20x1.5MM)



8PCS

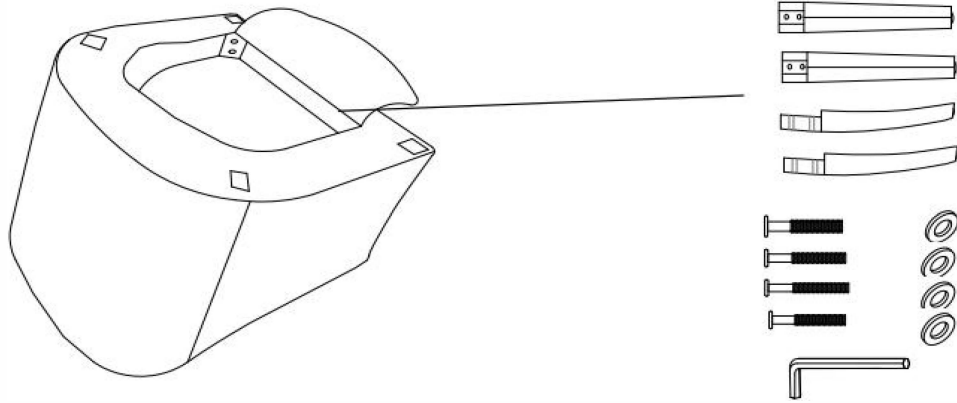
F ALLEN WRENCH

(M8 MM)

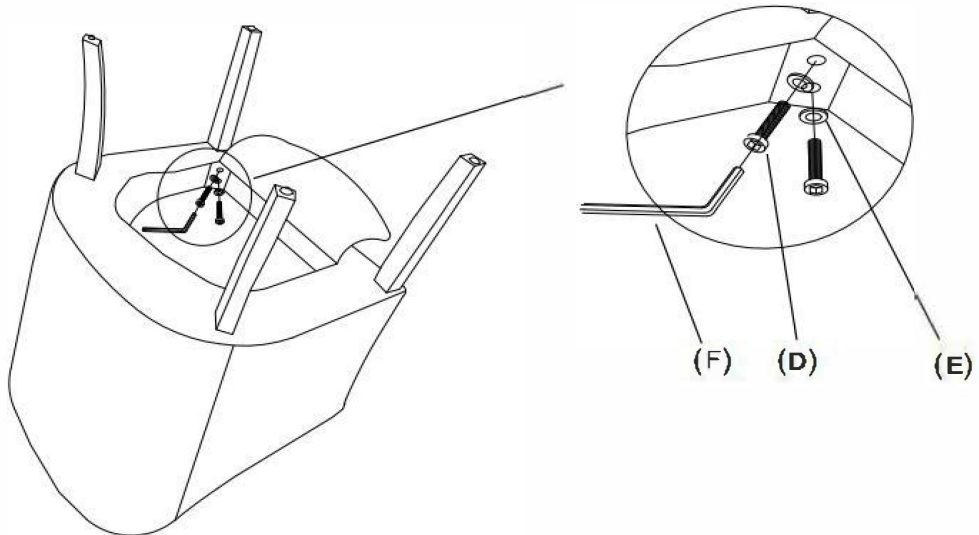


1PC

STEP 1



STEP 2



STEP 3

