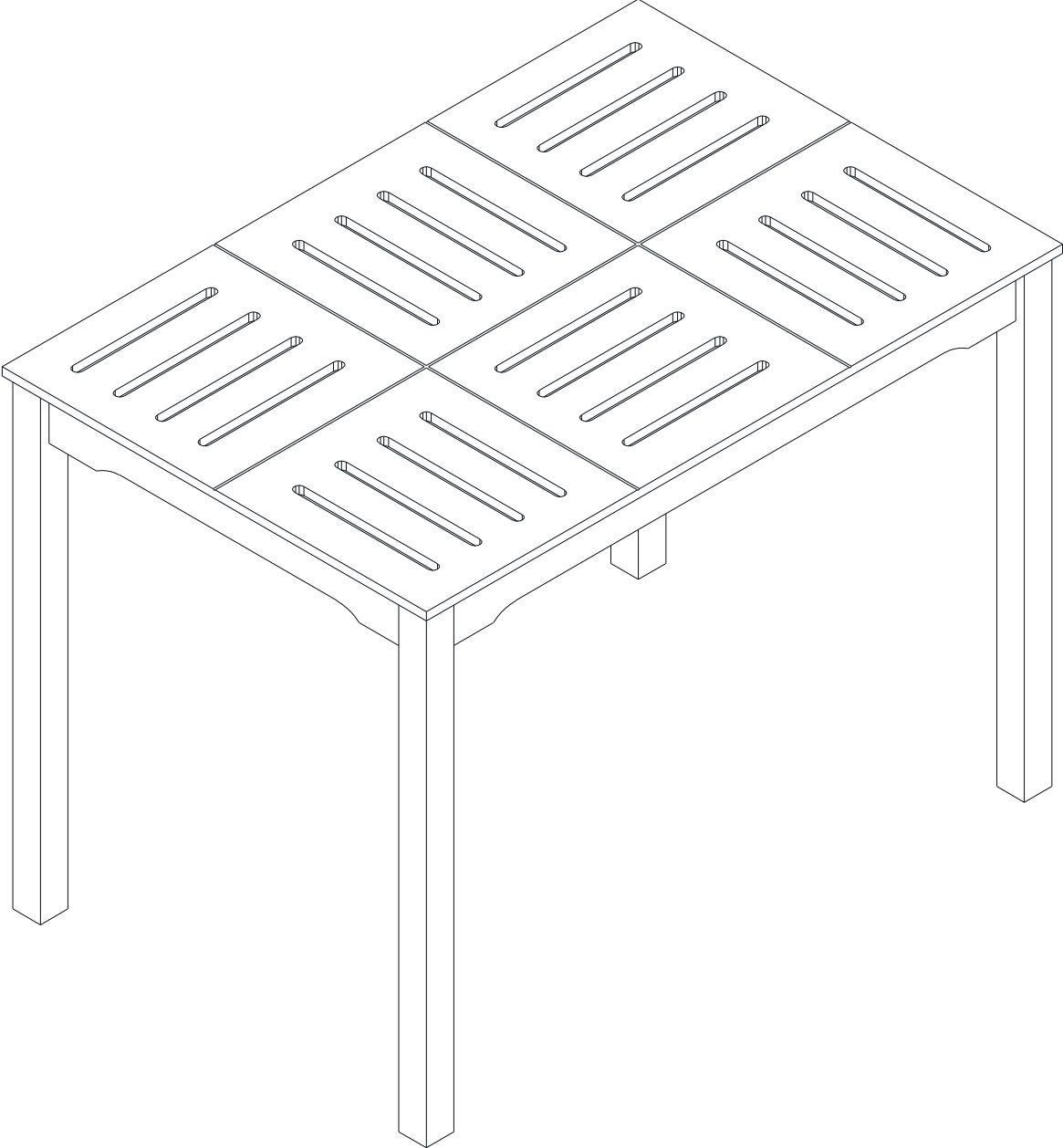
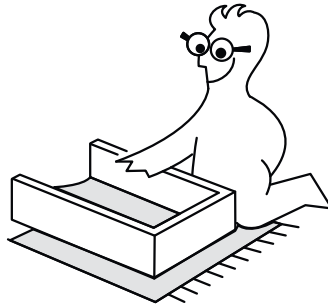
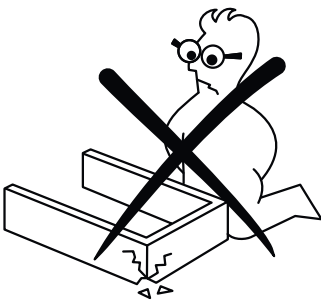
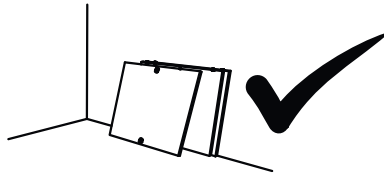
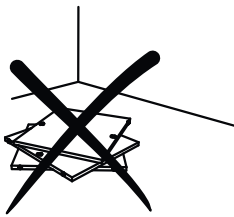

47.25" Rectangular Table



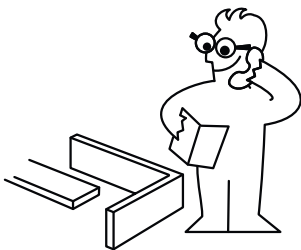
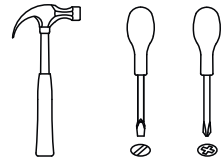


For Best Results

- Do not throw away packaging materials until assembly is complete.
- Assemble item on a soft surface, such as cardboard or carpet, to protect finish.
- Proper assembly requires two people.



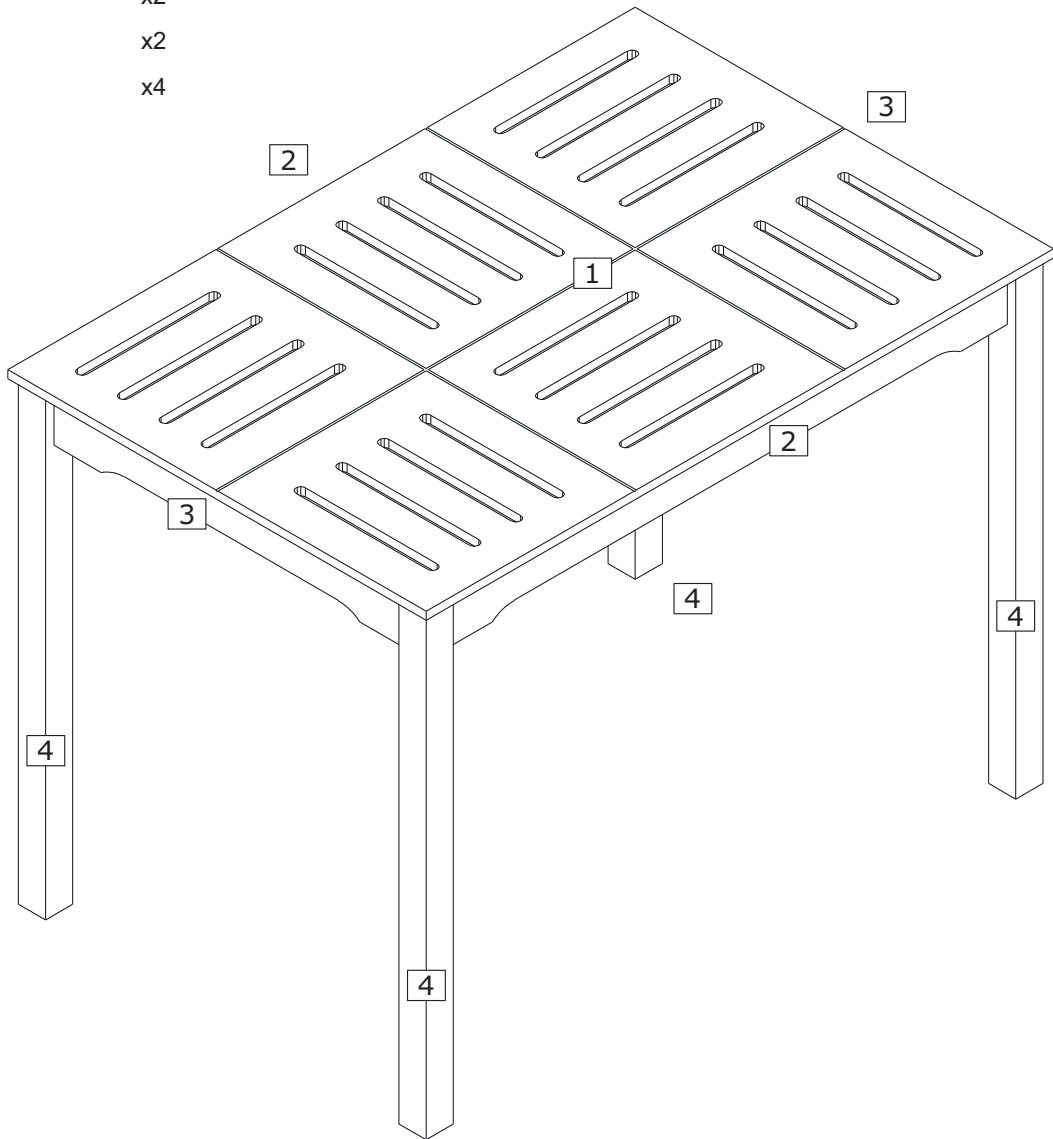
Tools
Required

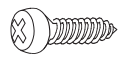
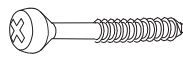
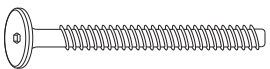
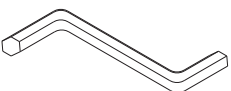
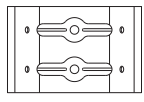


Stuck? Questions? We are here to help.

Included in this Package

- 1 Top panel x1
- 2 Front rail x2
- 3 Side rail x2
- 4 Leg x4

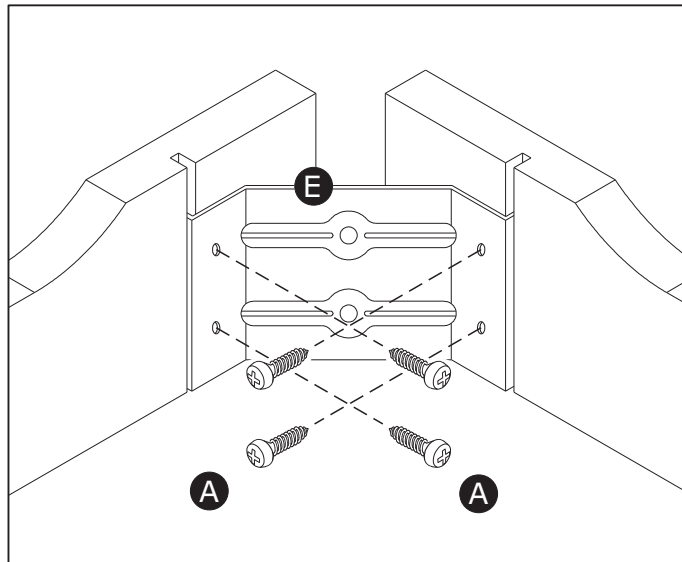
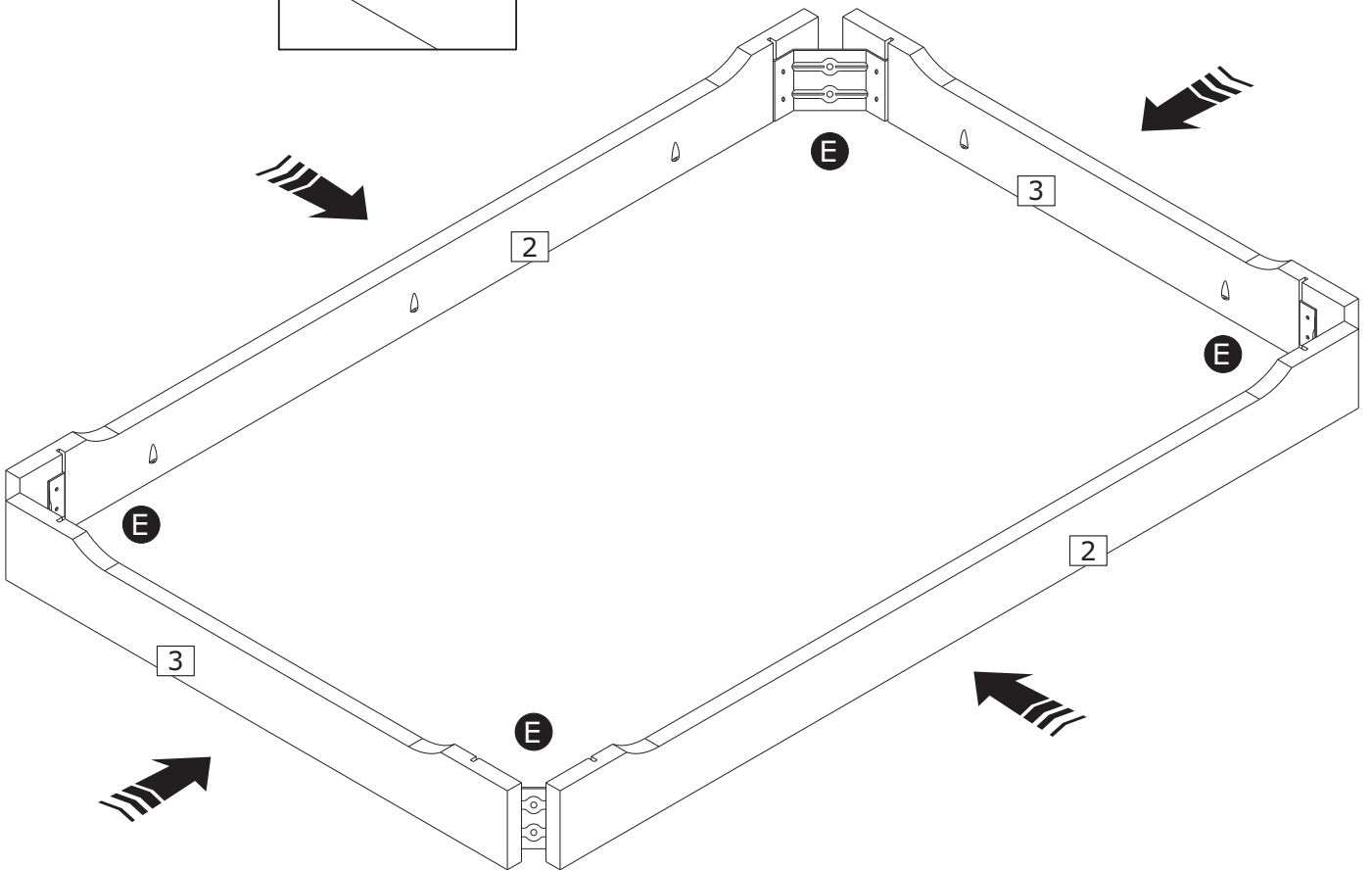
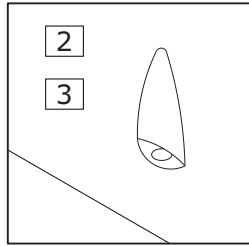


<p>A </p> <p>16mm Screw x 16</p>	<p>B </p> <p>35mm Screw x 10</p>	<p>C </p> <p>60mm Bolt x 08</p>
<p>D </p> <p>Allen key x 1</p>	<p>E </p> <p>Metal bracket x 04</p>	

STEP 1

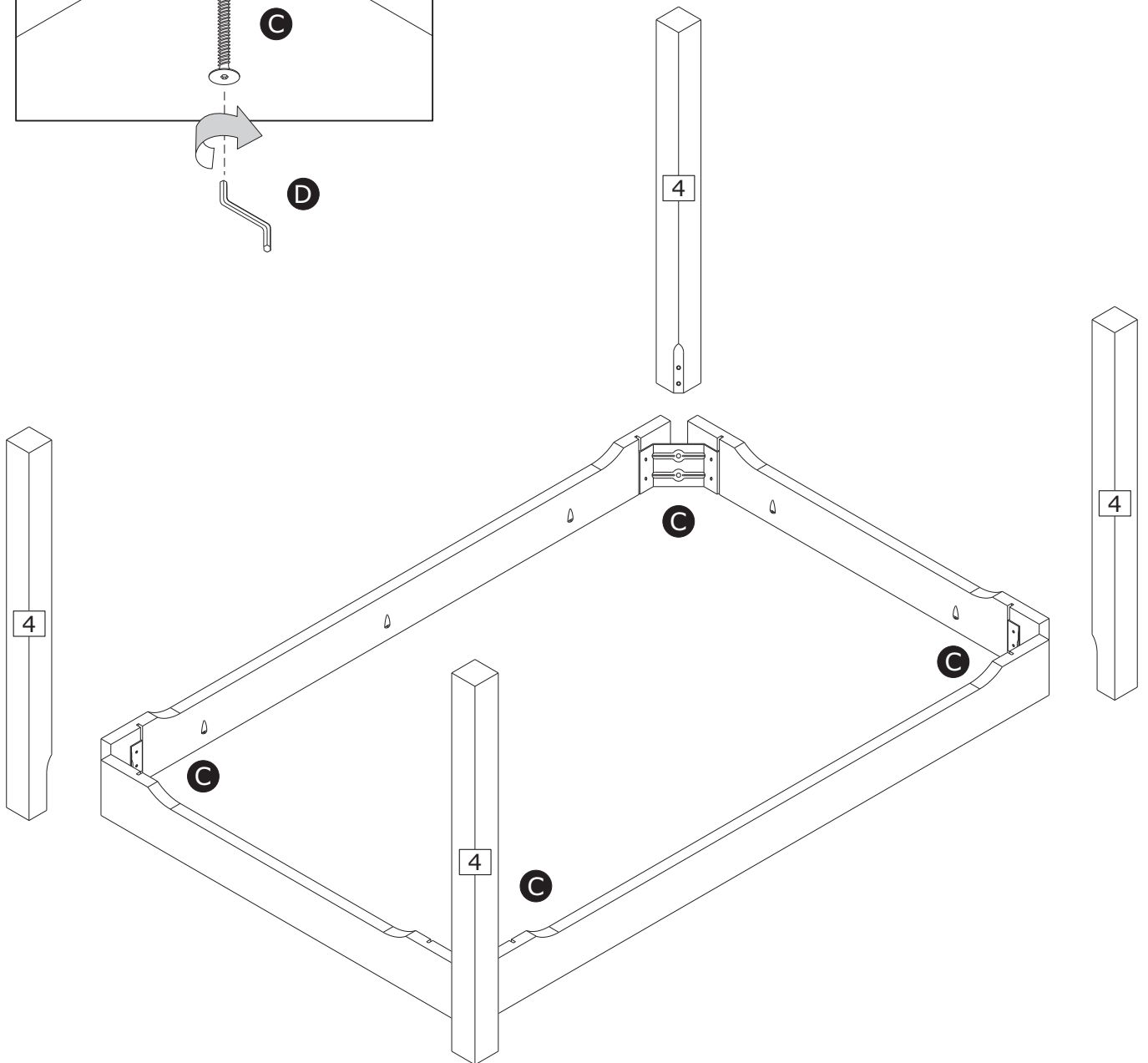
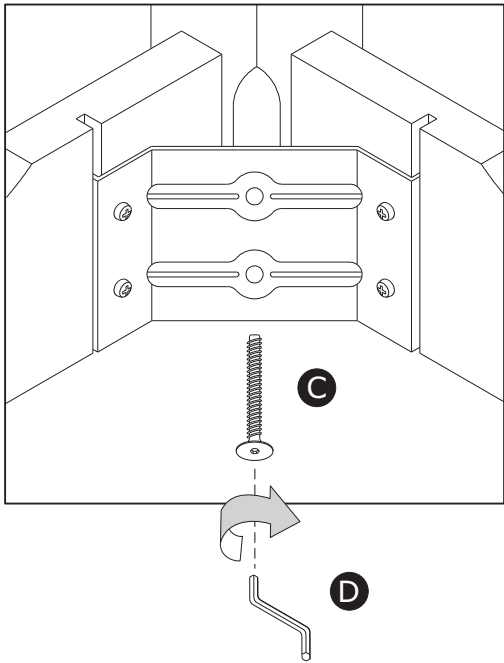
A  16mm Screw x 16	E  Metal bracket x 04
--	--

Note: the hole position.



STEP 2

C 	D 
60mm Bolt x 08	Allen key x 1



STEP 3

