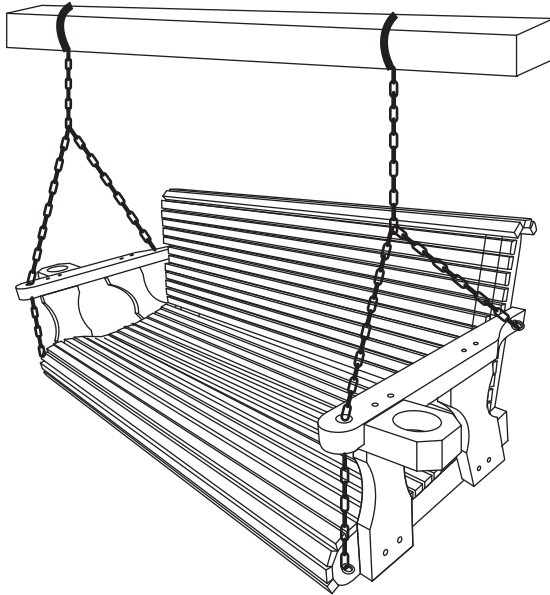


Porch Swing

Owner's Manual & Assembly Instructions



SAVE THIS ASSEMBLY MANUAL FOR FUTURE REFERENCE IN THE EVENT THAT YOU NEED TO ORDER REPLACEMENT PARTS.

Note

1. Read entire assembly manual, paying special attention to the important tips and safety notes.
2. Ensure there are no missing parts or accessories before you start to assemble.
3. This manual contains helpful information concerning assembly preparation, installation procedure and required maintenance.
4. Always keep safety in mind as your structure is being built.
5. Keep these instructions for future reference.

Owner's Manual

Operating Instructions and Safety Warnings



WARNING

IT IS IMPORTANT TO CHECK AND TIGHTEN ALL HARDWARES AT THE BEGINNING AND DURING THE SEASON AS THEY MAY LOOSEN DUE TO WOOD EXPANSION AND CONTRACTION.

- DO NOT climb or walk on the roof for any reason.
- Requires two or more people to assemble safely.
- Check for underground utilities before digging or driving stakes into the ground.
- Check carefully for overhead lines and ensure there is at least 6ft (2m) clearance from any overhead electrical wires.
- Permanent structures may require a building permit. As the purchaser or installer of this product you are advised to consult local planning, zoning and building inspection departments for guidance on applicable building codes and/or zoning requirements.
- Wood is NOT flame retardant and will burn. Grills, fire pits and chimenea are a fire hazard if place too close to your structure.
- Wear gloves to avoid injury during installation.
- During installation, follow all safety warnings provided with your tools and use safety glasses.
- Check all nuts and bolts twice monthly during usage season and tighten as required (But not so tight that you may crack the wood). It is particularly important that this procedure be followed at the beginning of each season.
- Oil all metallic moving parts monthly during the usage period.
- Check all covering for bolts and sharp edges twice monthly during usage season to be certain they are in place. Replace when necessary. It is especially important to do this at the beginning of each new season.
- For rusted areas on metallic members such as hinges, brackets, etc. Sand and repaint, using a non lead-based paint meeting the requirement of Title 16 CRF Part 1303.
- Inspect wood parts monthly. The grain of the wood sometimes will lift in the dry season causing splinters to appear. Light sanding may be necessary to maintain a safe environment. Treating your product with protection (sealant) after sanding will help prevent severe checking/splitting and other weather damage.
- We have applied a waterborne translucent stain to your unit. This is done for color only. Once or twice a year, depending on your climate conditions, you must apply some type of protection (sealant) to the wood of your unit. Prior to the application of sealant, lightly sand any "rough" spots on your set. Please note this is a requirement of your warranty.

Owner's Manual

Instructions for Proper Maintenance

Our product is designed and constructed of quality materials. As with all outdoor products it will weather and wear. To maximize the enjoyment, safety and life of your structure, it is important that you properly maintain it.

About Our Wood

We use 100% pine wood. Although we take great care in selecting the best quality lumber, wood is still a product of nature and susceptible to weathering which can change the appearance of your set.

How can I reduce the amount of weathering to wood product?

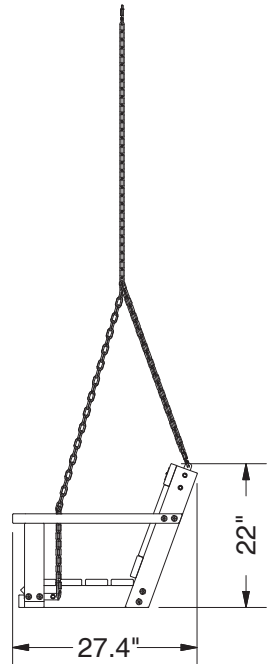
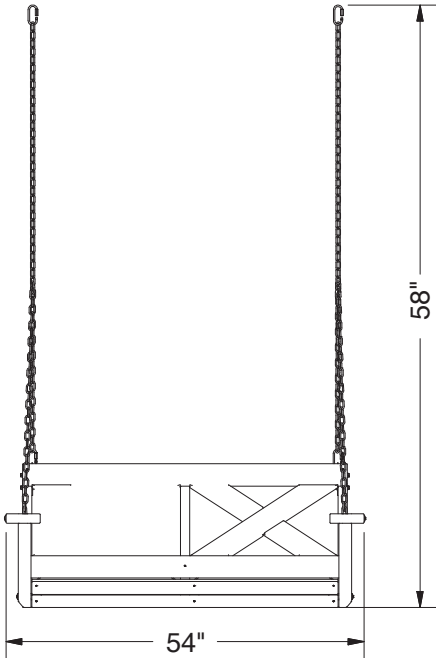
1. Your wood product is coated with a water-base stain. Sunlight will break down the coating, so we recommend applying a water repellent or stain on a yearly basis (see your local stain and paint supplier for a recommended product). You must apply some type of protection (sealant) to the wood of your product. **Please note this a requirement of your warranty.** Most weathering is just the normal result of nature and will not affect safety. However if you are concerned that a part has experienced a severe weathering problem, please contact our customer service department for assistance.
2. Inspect wood parts monthly. The grain of the wood sometimes will lift in the dry season causing splinters to appear. Light sanding may be necessary to maintain a safe environment. Treating your product with protection (sealant) after sanding will help prevent severe checking/splitting and other weather damage.

Important Assembly Notes

- 1) While assembling unit, take time before and after each phase to make sure unit is level. If unit is not level, assembly will be difficult and improper assembly may result. Extra care must be taken to ensure the unit is square.
- 2) Pay close attention to the ITEMS NEEDED FOR EACH PHASE. They can be a valuable aid when sorting your wood and hardware. Assembly will be made easier if items are sorted by phase.
- 3) Pay close attention to make sure you are using the correct hardware in the correct phases. Using incorrect hardware may result in improper assembly.
- 4) Read the steps of each phase thoroughly. The written steps may include important information not shown in the illustrations.

Basic Setup Dimensions

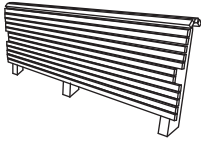
Install unit on level ground. Check carefully for overhead lines and ensure there is at least 6ft (2m) clearance from the roof to any overhead lines.



NOT TO EXCEED 800 LBS MINIMUM OF 8" OFF THE GROUND

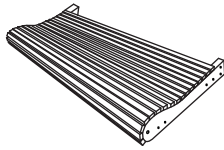
Parts List

A



1PC

B



1PC

C1



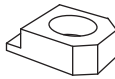
2PCS

C2



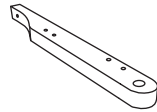
2PCS

D



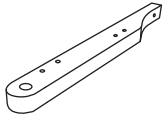
2PCS

E1



1PC

E2



1PC

H



2PCS

I



2PCS

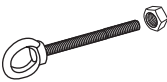
J



2PCS

Hardware Parts

1



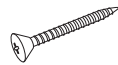
2PCS
M10*85

2



2PCS
M10*45

3



8PCS
M4.5*75

4



14PCS
M6*70

5



4PCS
M3.5*40

F



6PCS

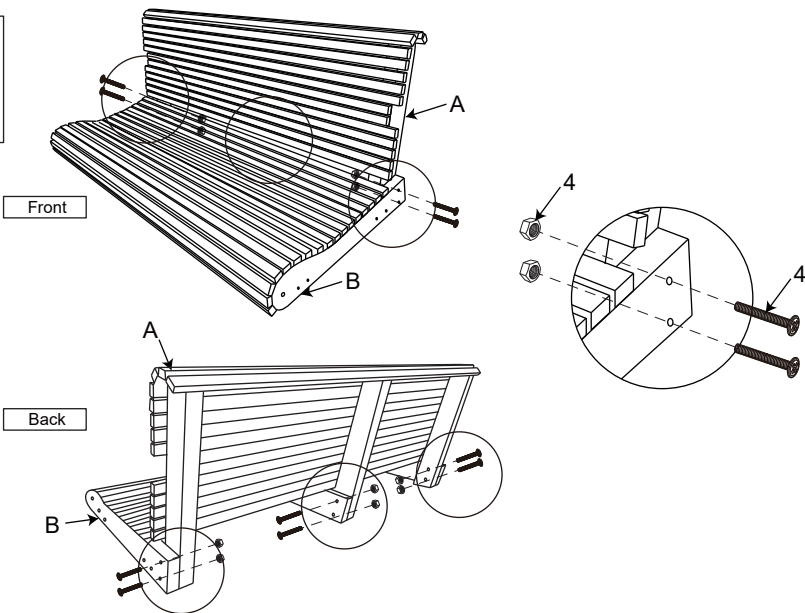
G



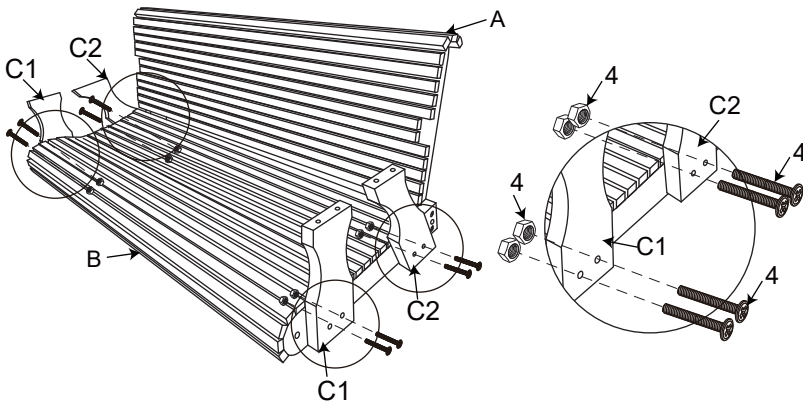
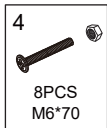
2PCS

Assembly Guide

STEP 1



STEP 2



STEP 3

3

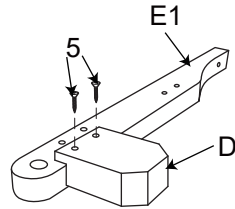
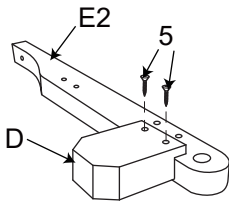
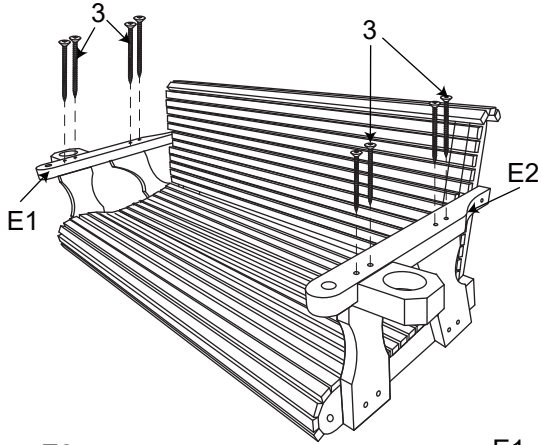


8PCS
M4.5*75

5



4PCS
M3.5*40



STEP 4

1

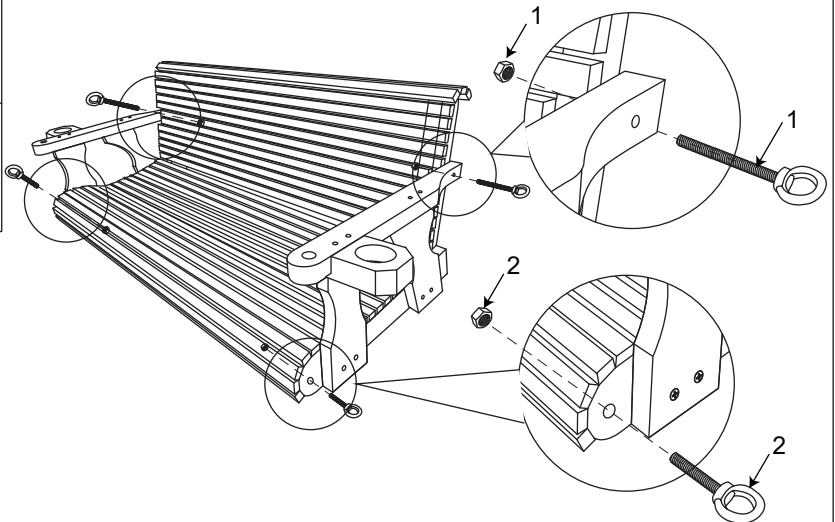


2PCS
M10*85

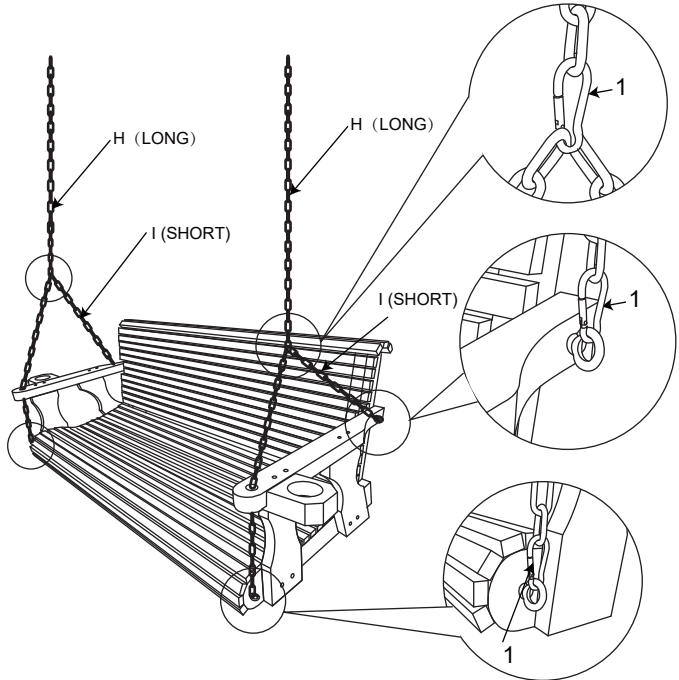
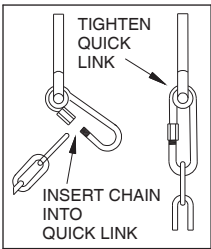
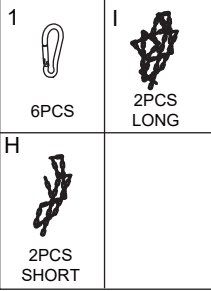
2



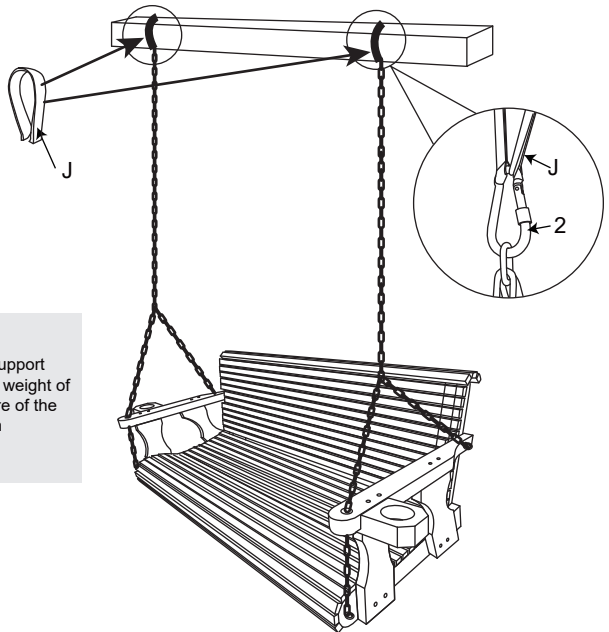
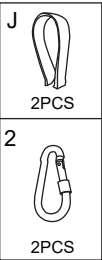
2PCS
M10*45



STEP 5



STEP 6



TIPS:

Before hanging the swing, make sure the support beam or joists in the ceiling will support the weight of the swing and its occupants. If you're unsure of the ceiling strength, please get the advice of an experienced carpenter.