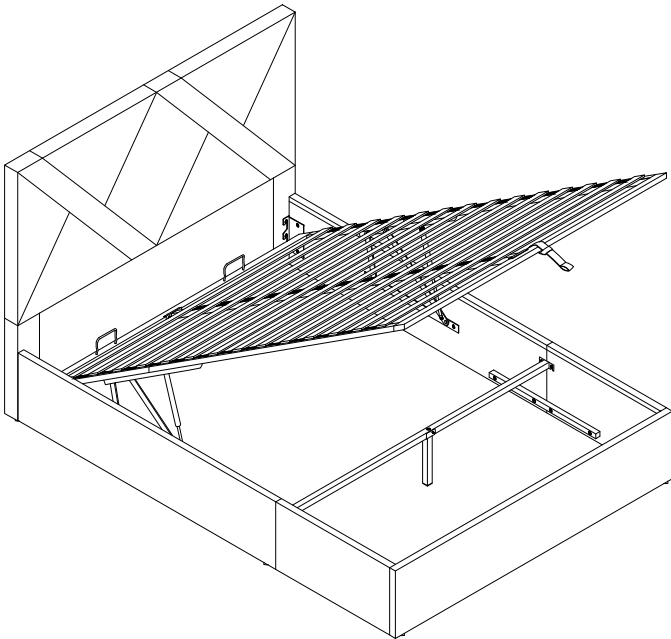


# STANDARD BED



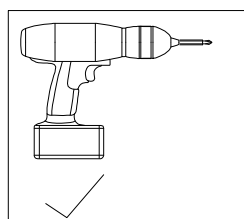
Important: Please unzip the zipper located behind the headboard to access all the components.



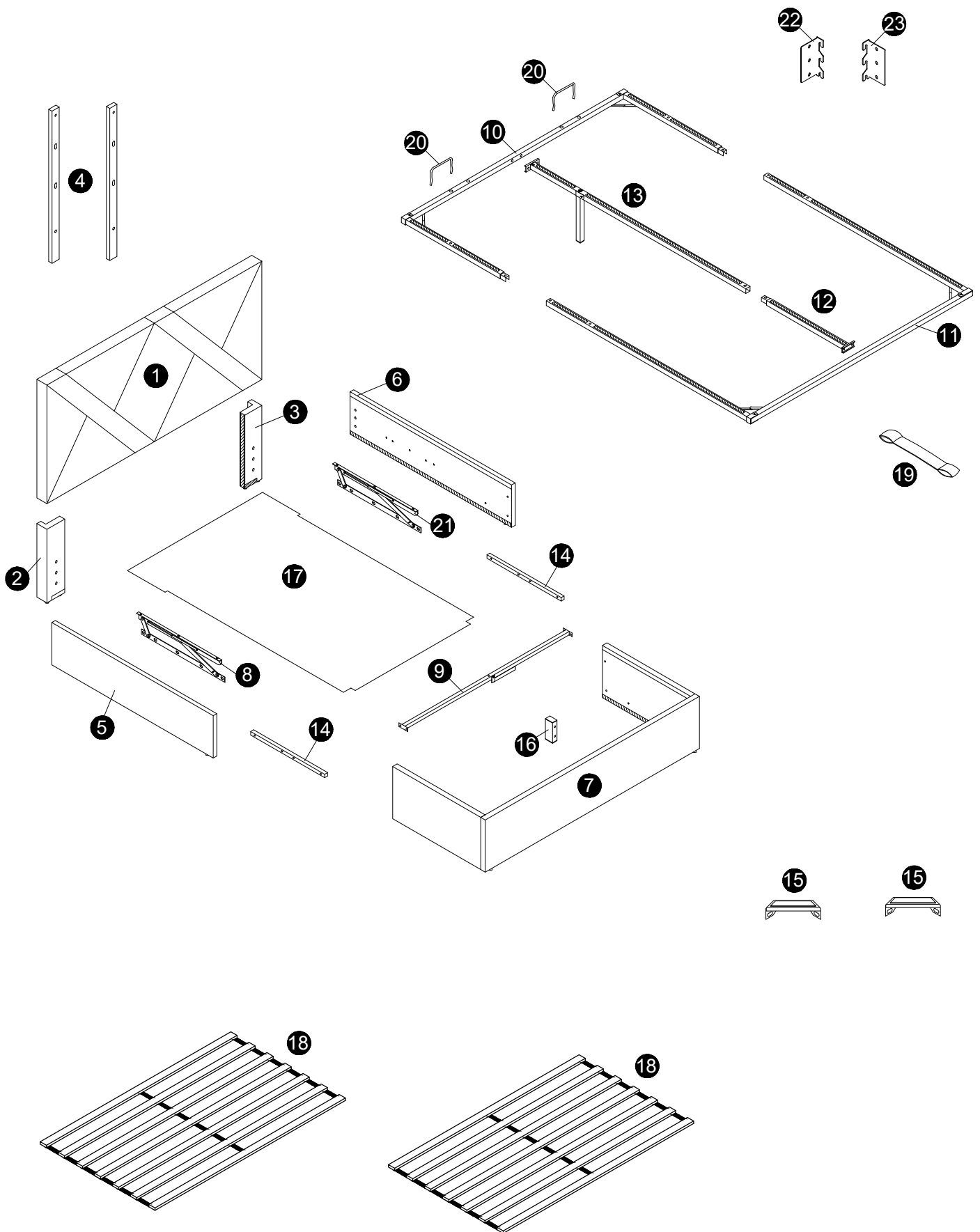
Please TEAR OFF this shrink film from side! DO NOT USE CUTTER!

## IMPORTANT NOTE

1. **PLEASE OPEN THE ZIPPER LOCATED ON THE HEADBOARD TO ACCESS ALL THE OTHER COMPONENTS BEFORE PROCEEDING WITH THE ASSEMBLY.**
2. FOR THE PROTECTION OF YOUR FURNITURE, PLACE ALL PARTS ON A CLEAN AND SMOOTH SURFACE TO PREVENT ANY DAMAGE.
3. DO NOT USE POWER TOOLS TO ASSEMBLE THE BED.
4. PLEASE PERIODICALLY CHECK ALL FITTINGS AND RE-TIGHTEN AS NECESSARY.
5. DO NOT USE THE BED UNLESS ALL BOLTS AND SCREWS ARE FIRMLY SECURED.
6. NEED PARTS OR ASSISTANCE?
7. YOU CAN ASSEMBLE IT WITH OUR PACKAGING TOOLS OR WITH A.

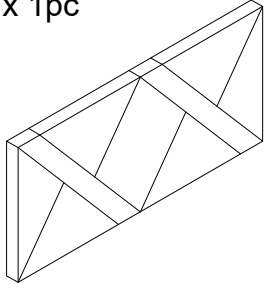


# PART LIST

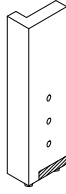


PART LIST

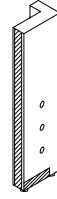
1 x 1pc



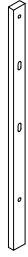
2 x 1pc



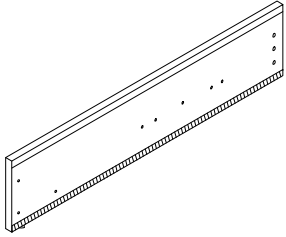
3 x 1pc



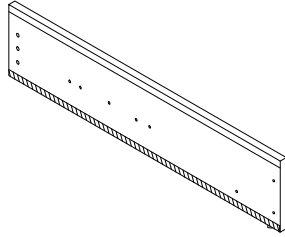
4 x 2pcs



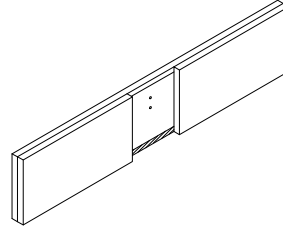
5 x 1pc



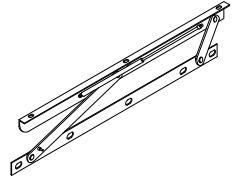
6 x 1pc



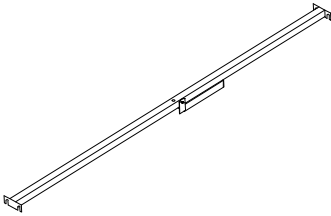
7 x 1pc



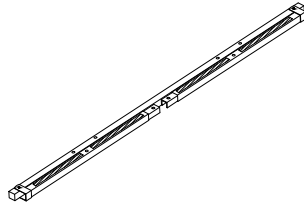
8 x 1pc



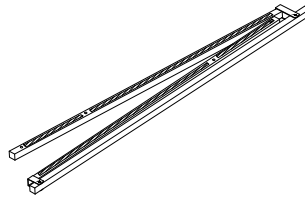
9 x 1pc



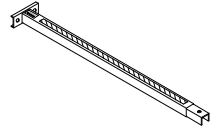
10 x 1pc



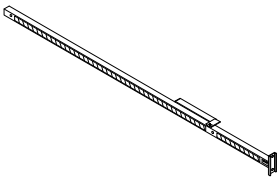
11 x 1pc



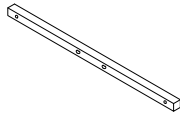
12 x 1pc



13 x 1pc



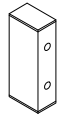
14 x 2pcs



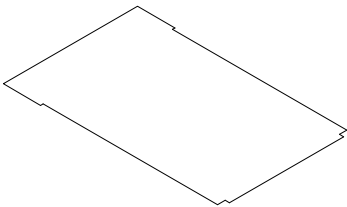
15 x 2pcs



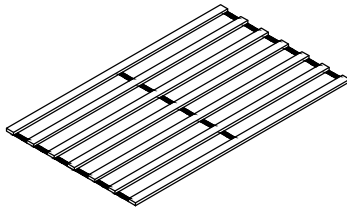
16 x 1pc



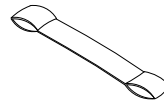
17 x 1pc



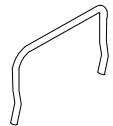
18 x 2pcs



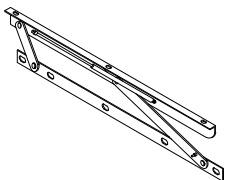
19 x 1pc



20 x 2pcs



21 x 1pc



22 x 1pc



23 x 1pc



## HARDWARE LIST



H1 M5 x 1pc



H2 M8x25mm x 35pcs



H3 M8x40mm x 16pcs



H4 M8x60mm x 2pcs



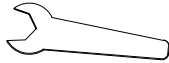
H5 M8 x 53pcs



H6 M8x17mm x 53pcs



H7 M8 x 6pcs



H8 M14 x 1pc



H9 M8x50mm x 8pcs

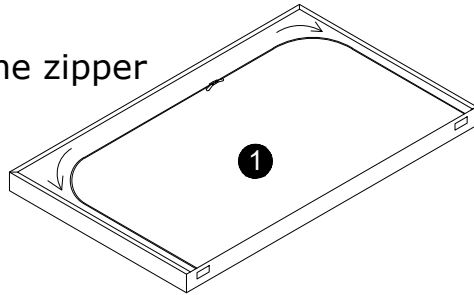


H10 M8x22mm x 8pcs

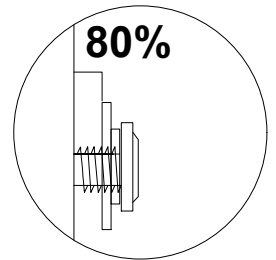
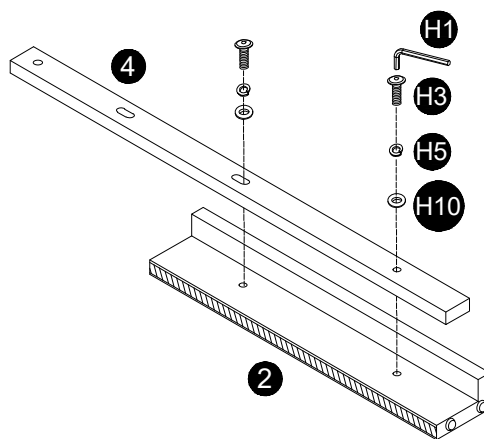
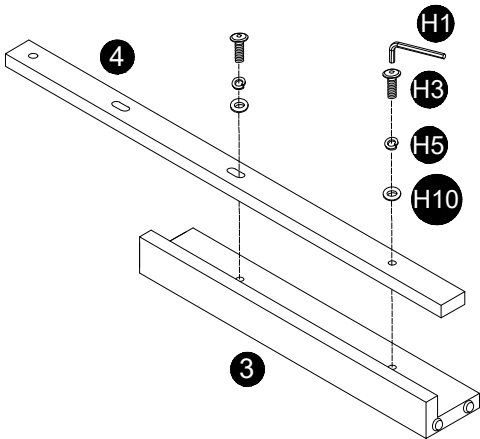
1

**NOTE:** PLEASE OPEN THE ZIPPER ON THE BACK OF 1 AND TAKE OUT THE PARTS.

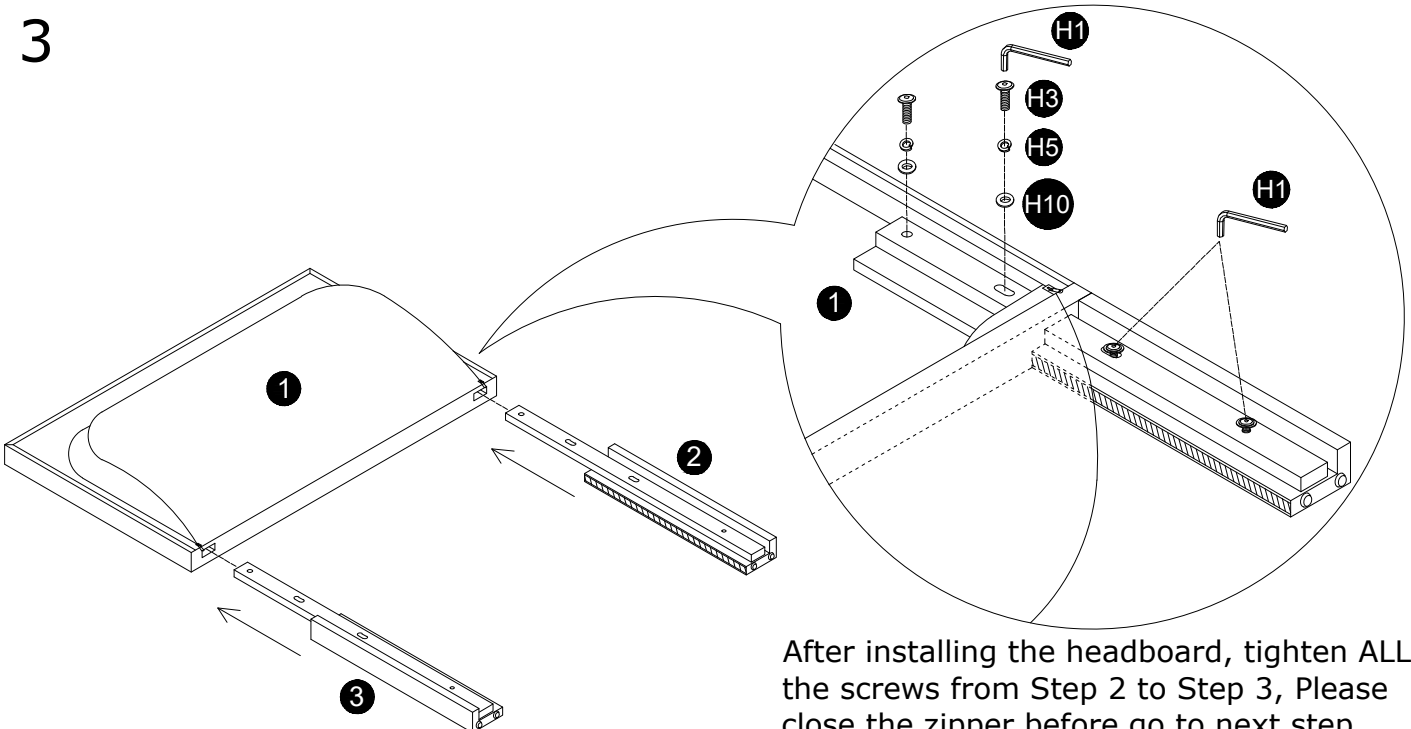
Open the zipper



2



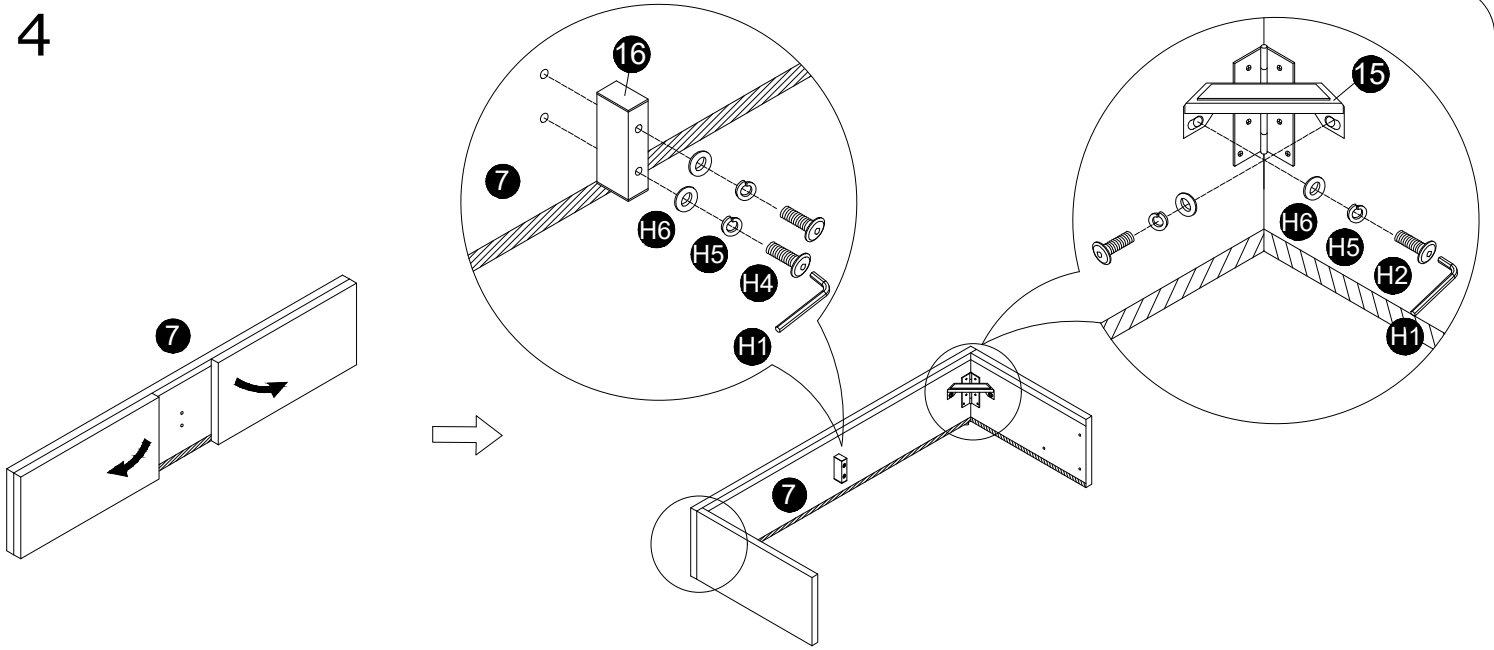
3



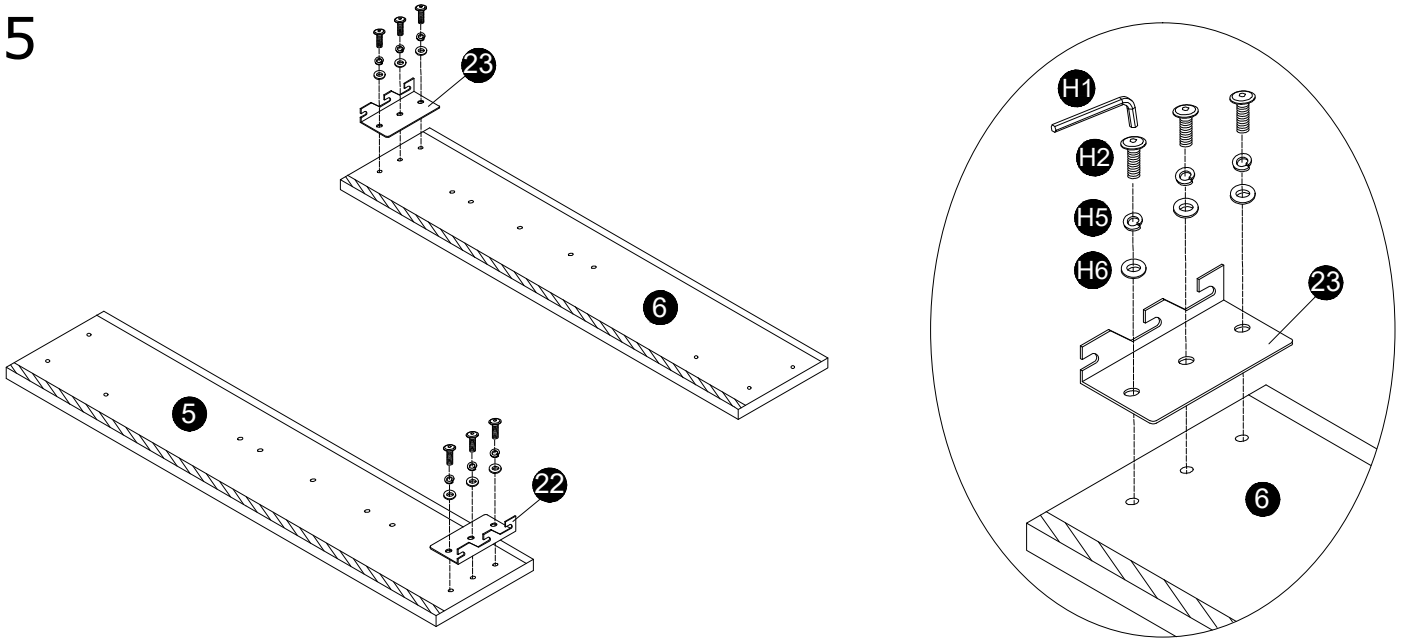
After installing the headboard, tighten ALL the screws from Step 2 to Step 3, Please close the zipper before go to next step.

4

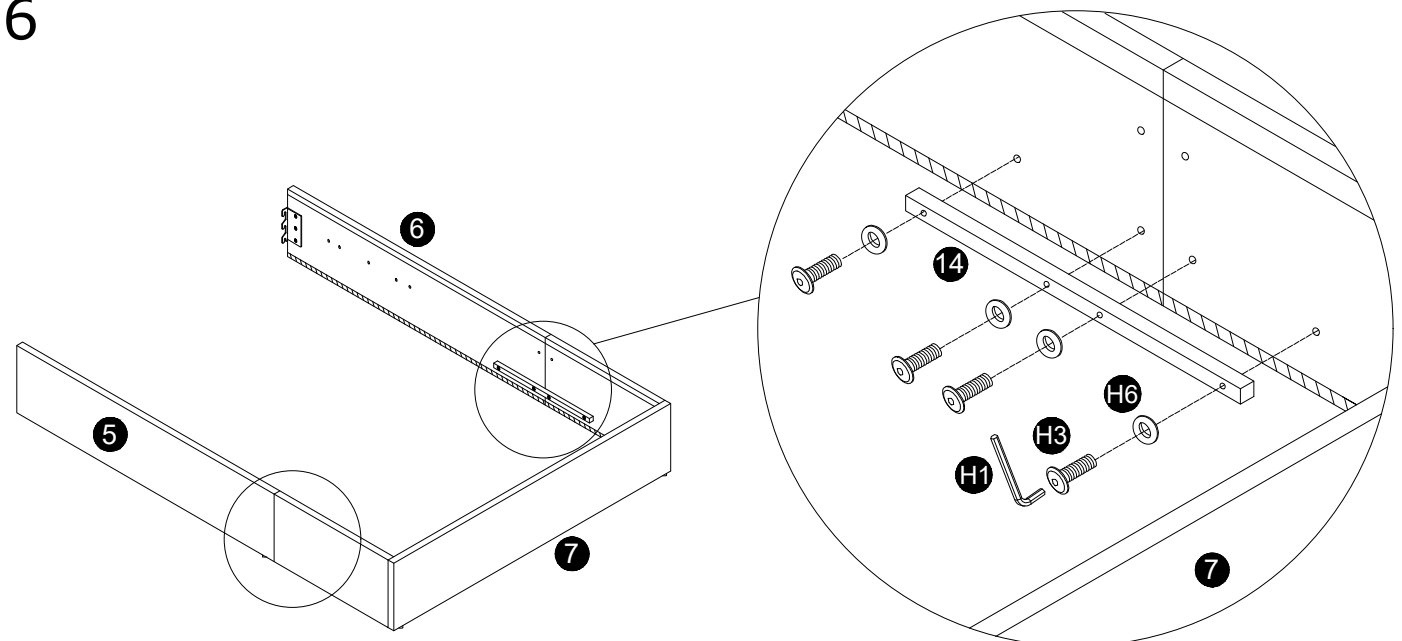
4



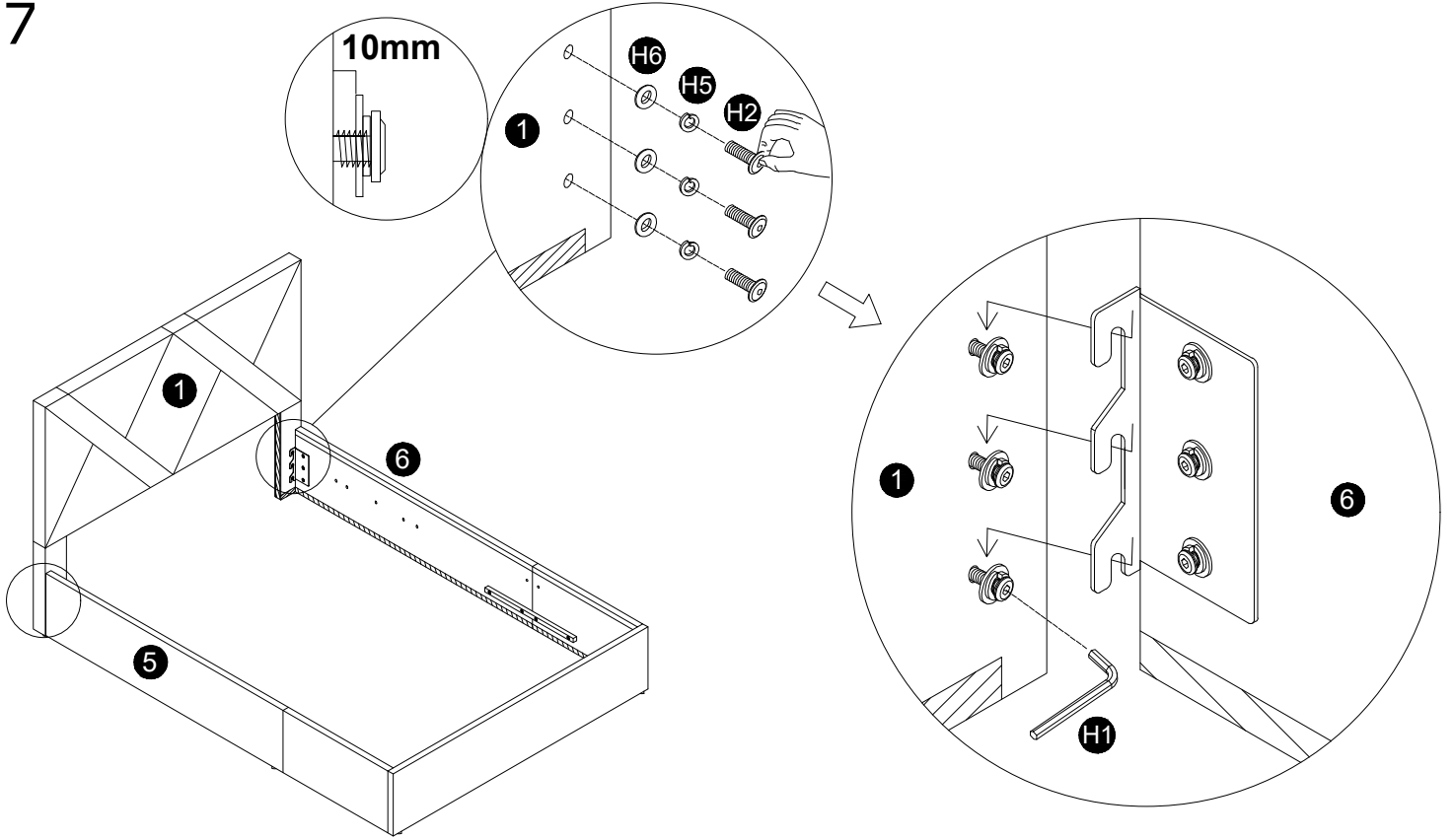
5



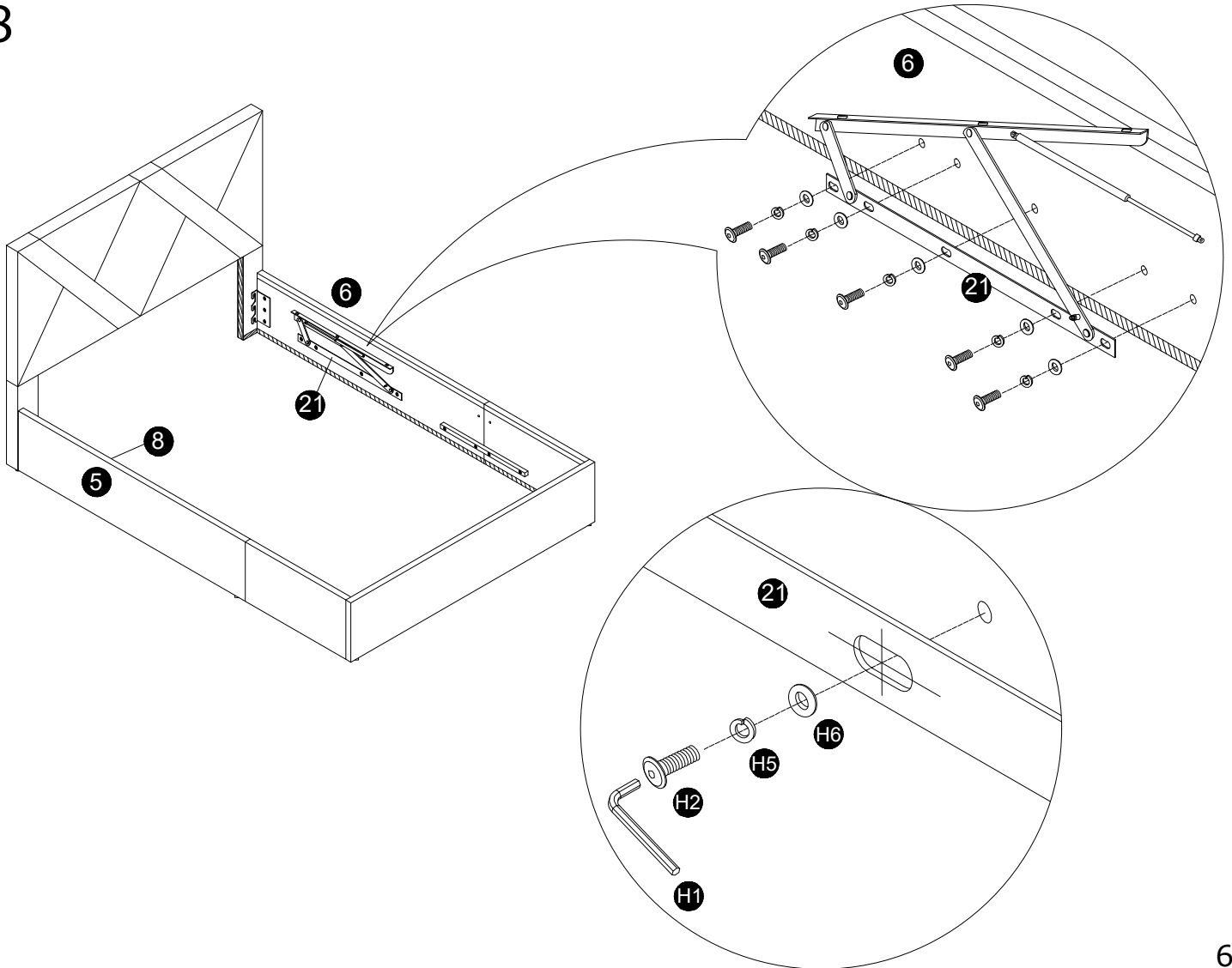
6



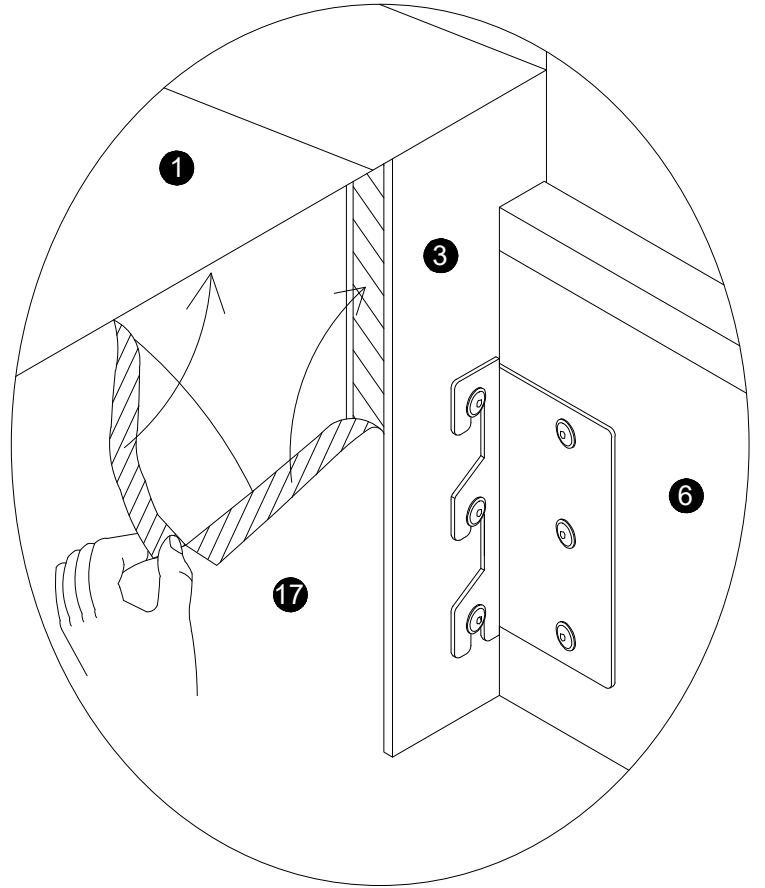
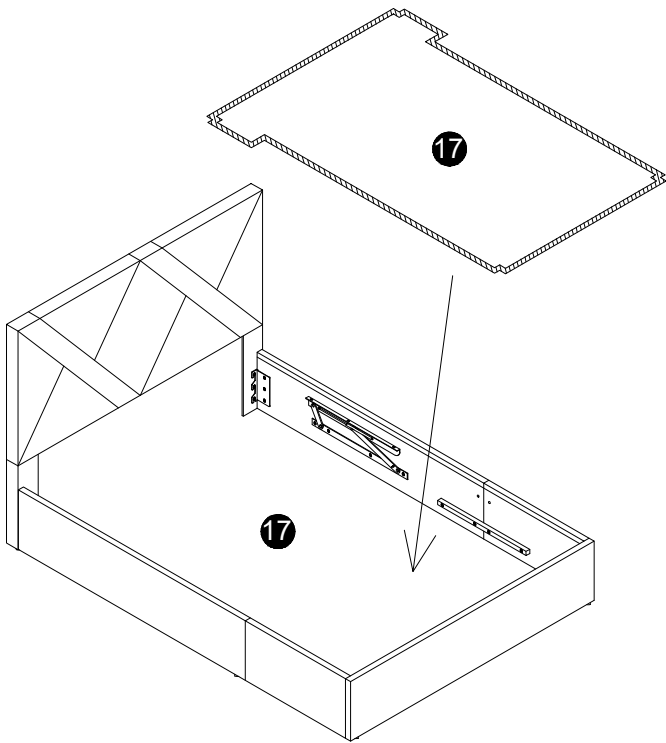
7



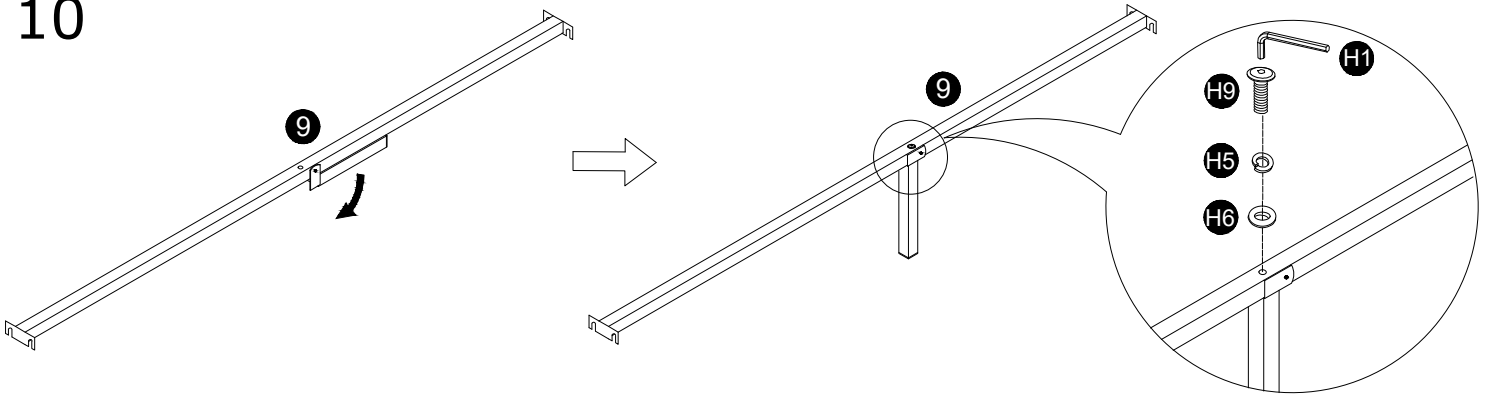
8



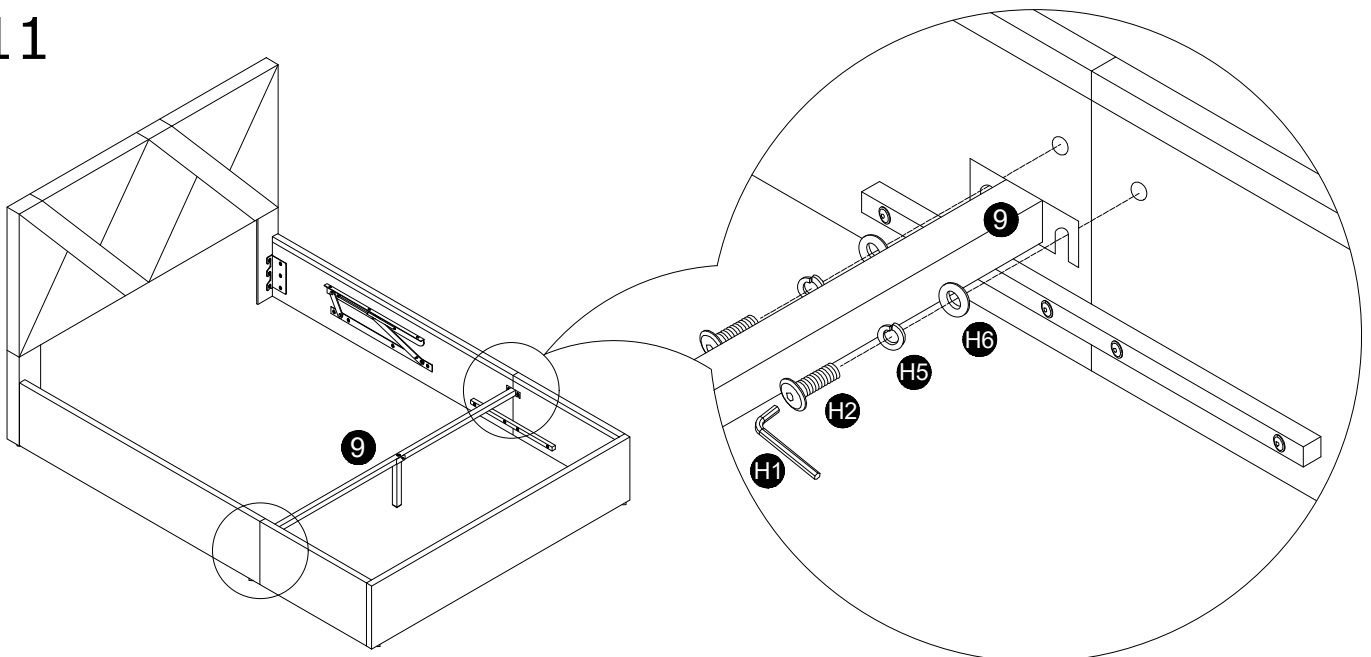
9



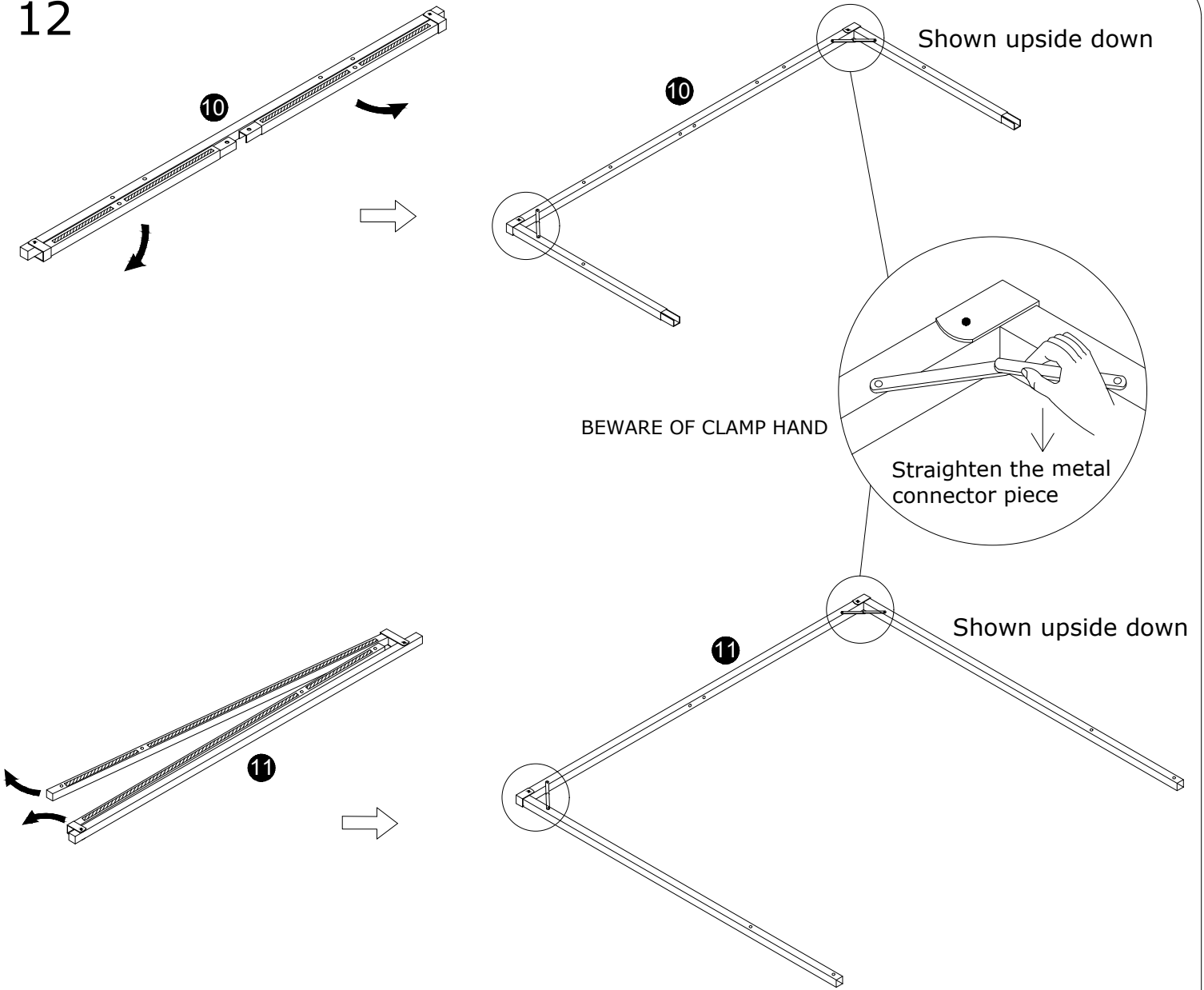
10



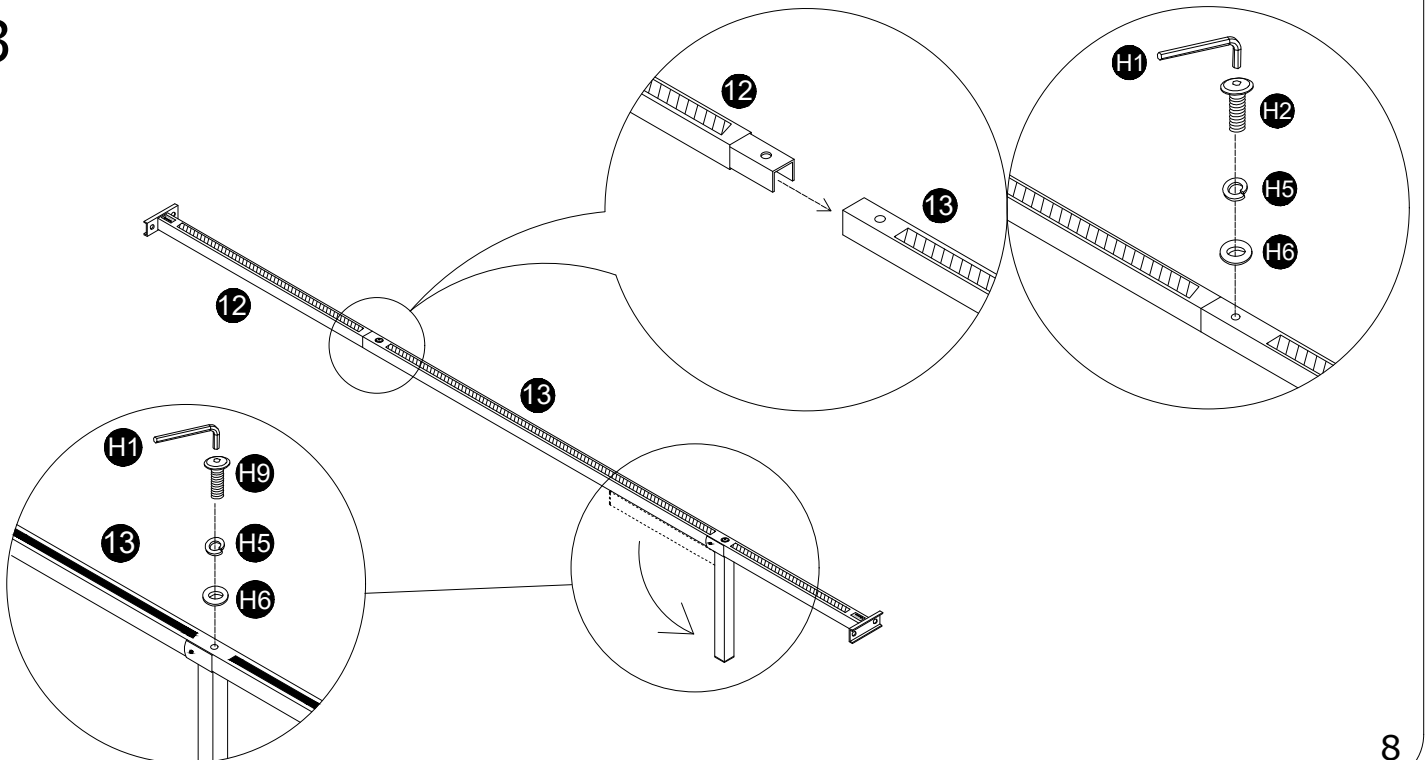
11

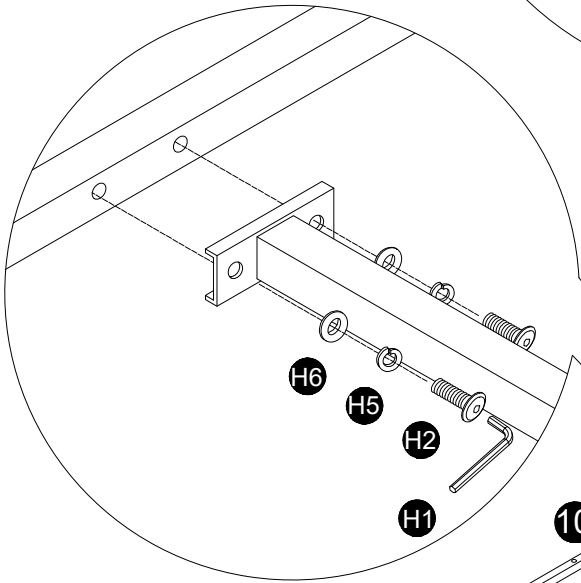
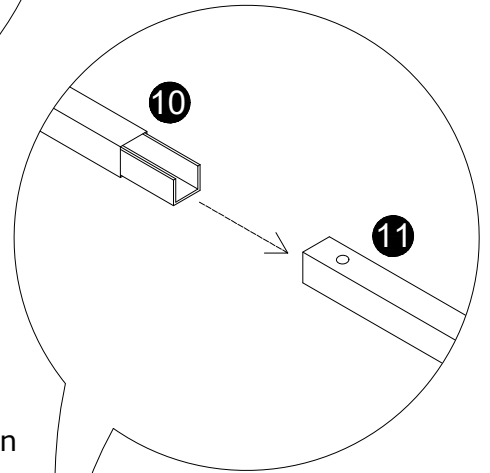
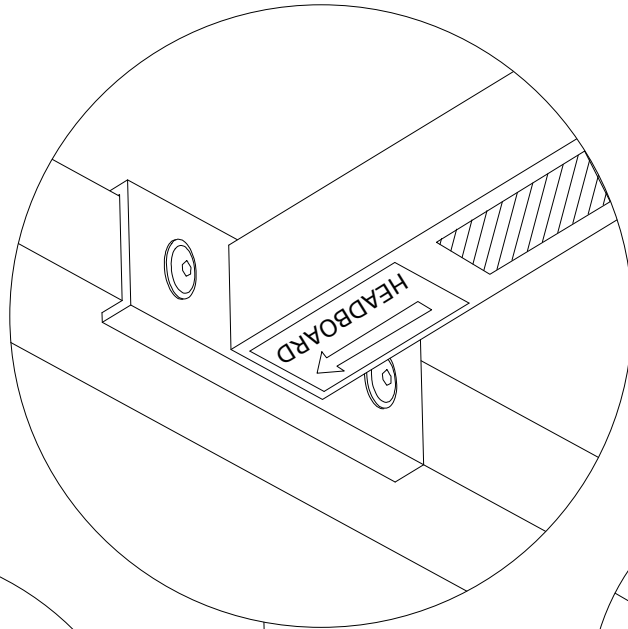


12

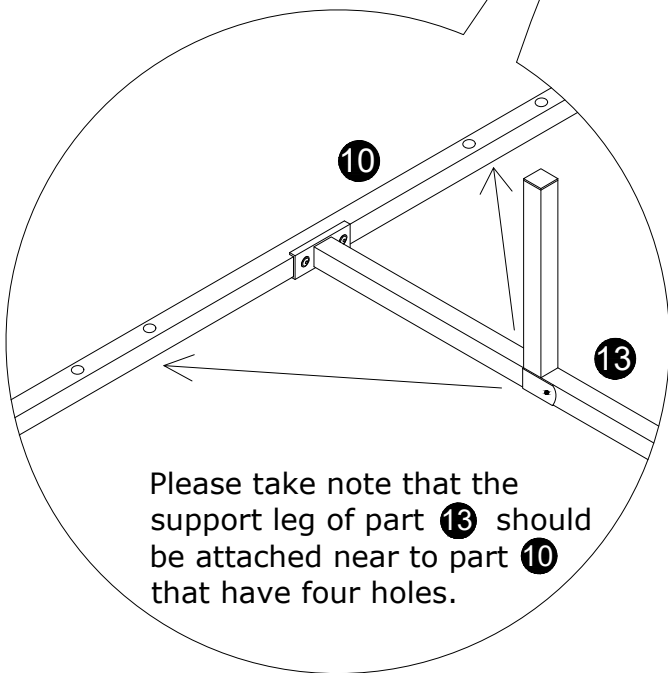
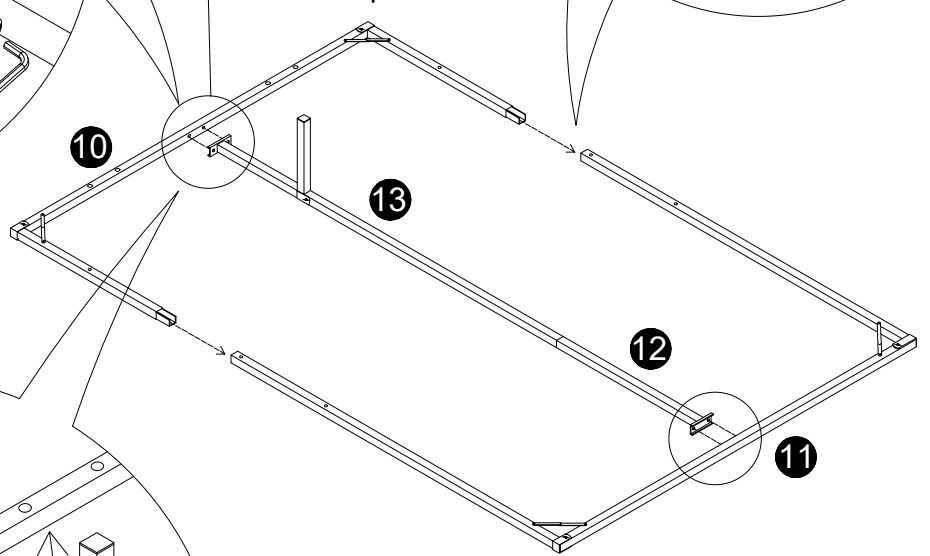


13



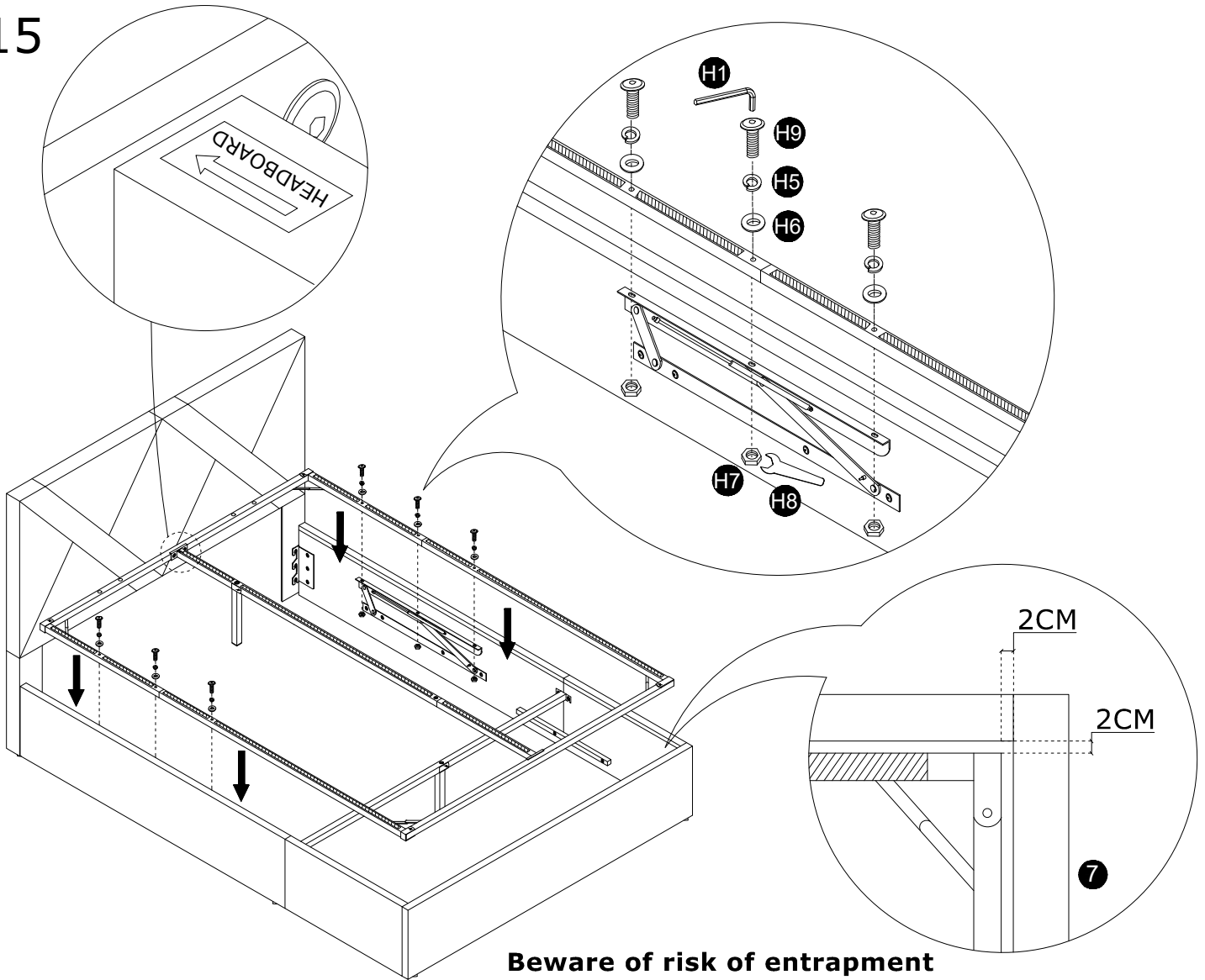


Shown upside down



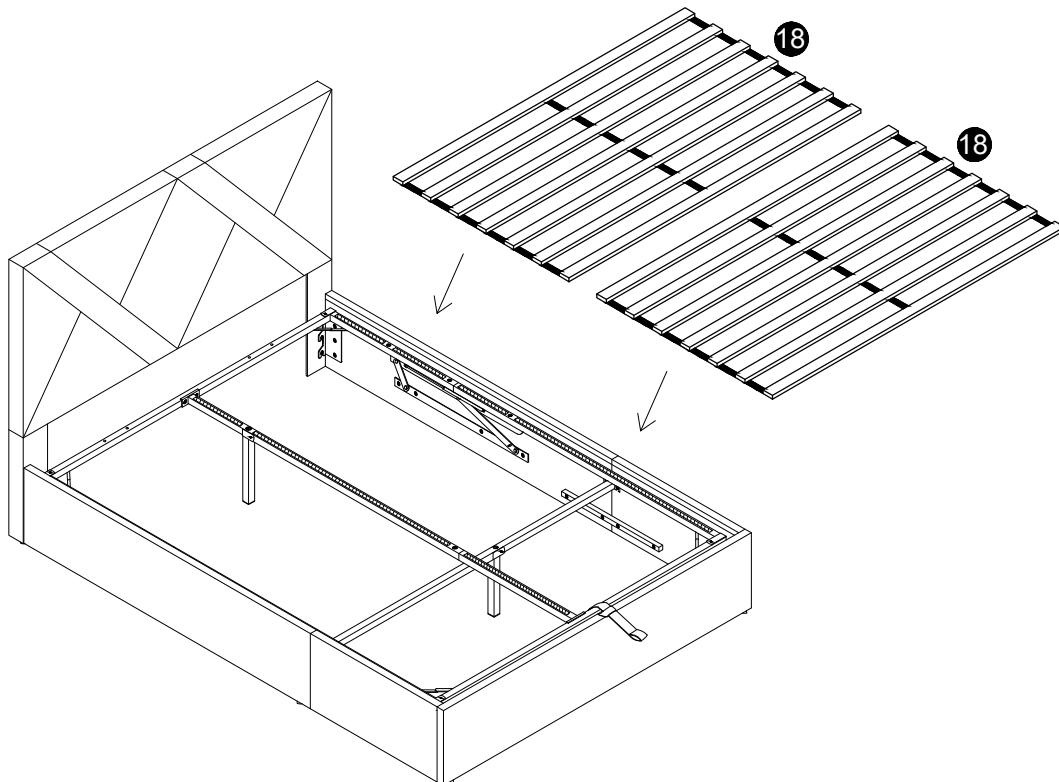
Please take note that the support leg of part 13 should be attached near to part 10 that have four holes.

15

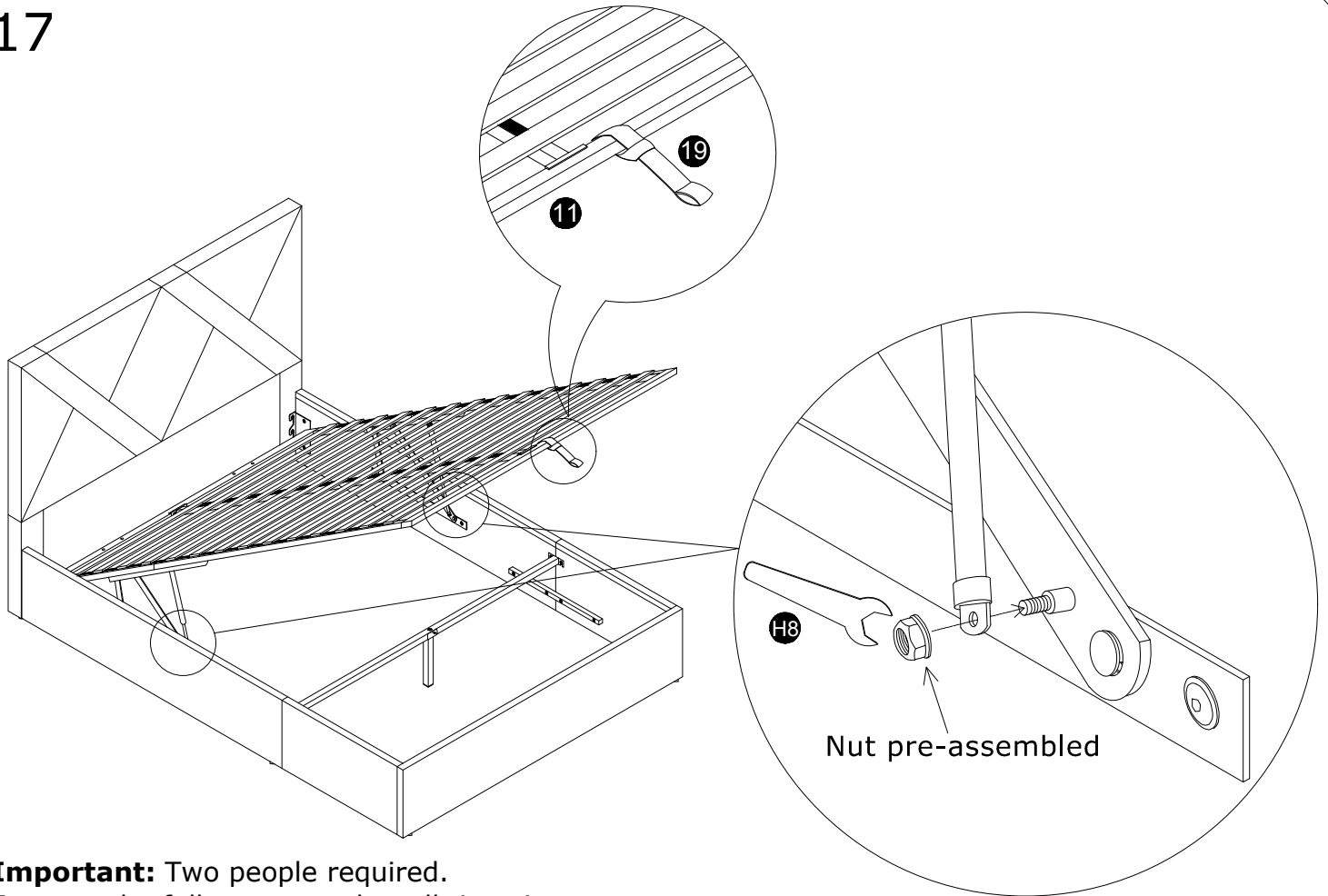


**Beware of risk of entrapment from folding hinges!**

16

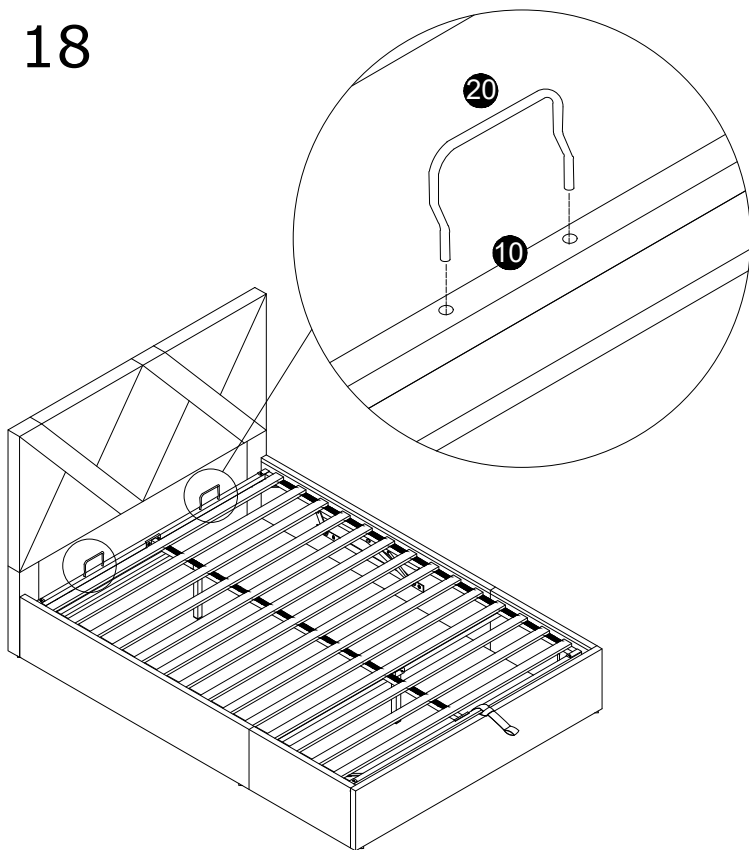


17

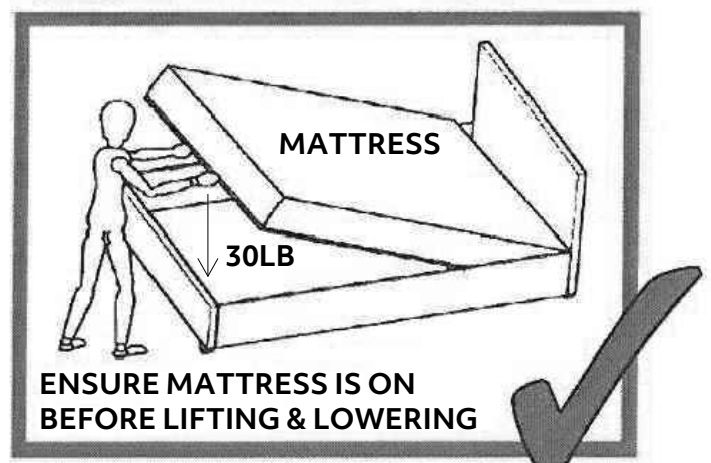


**Important:** Two people required.  
Frame to be fully supported at all times!

18



After placing the mattress on frame,  
push down the frame with 30lbs force.



**Job Complete !**

*In the interest of our environment please dispose of all packaging thoughtfully.*