

ACTG008

Night stand

V3.1

wlive-cs@devaise.com



IMPORTANT INFORMATION

READ CAREFULLY.

KEEP THIS INFORMATION FOR FURTHER REFERENCE.

GENERAL GUIDELINES

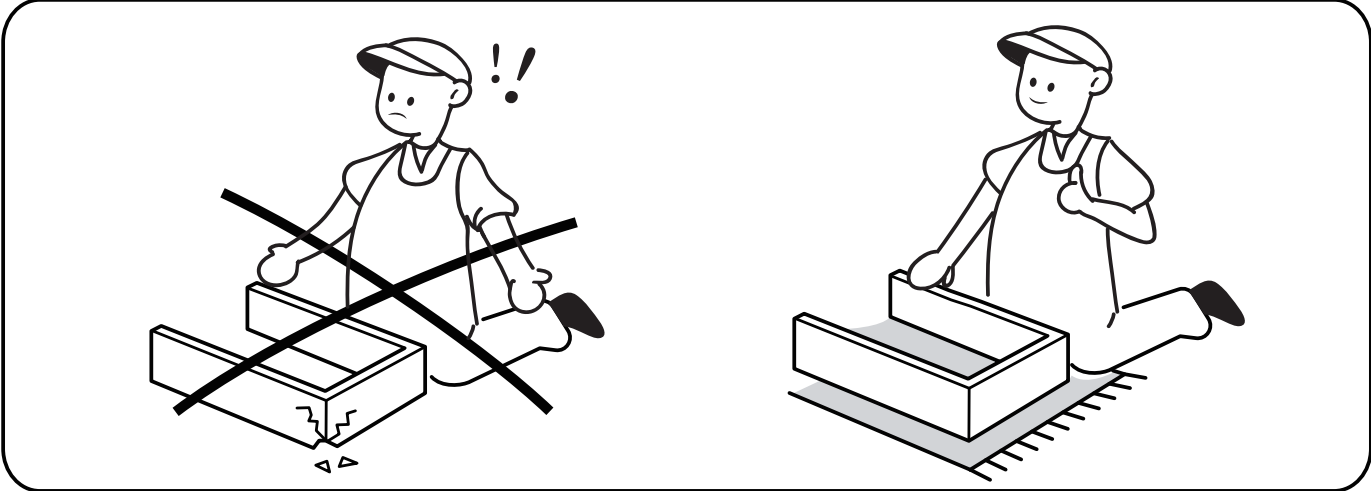
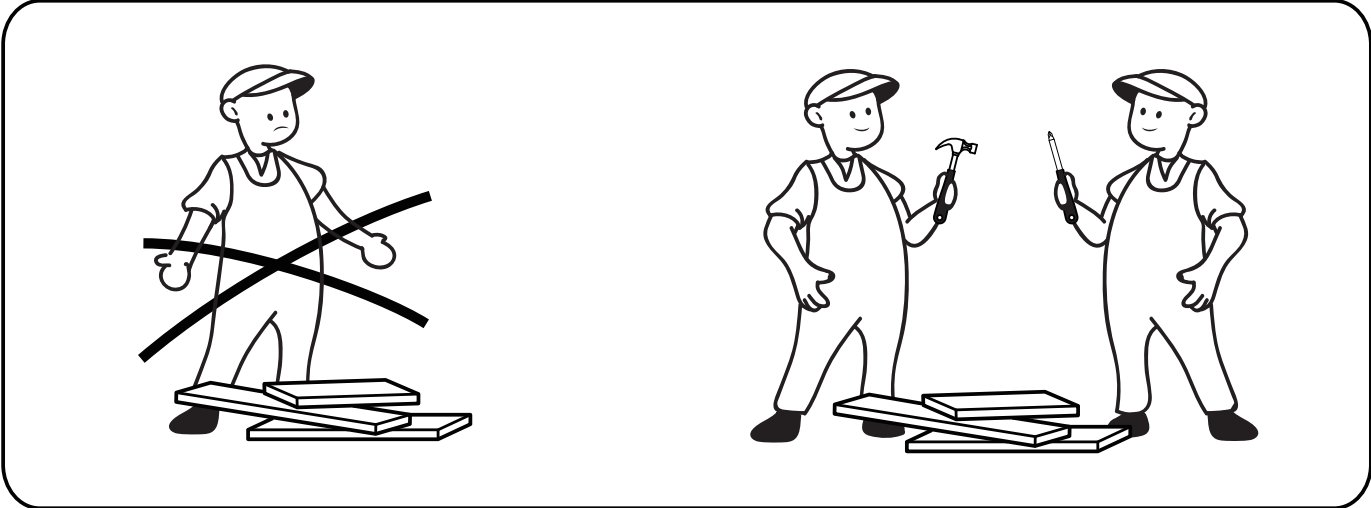
- Please read the following instruction carefully and use the product accordingly.
- Please keep this manual and hand it over when you transfer the product.
- This summary may not include every detail of all variations and considered steps. Please **contact us** when further information and help are needed.

NOTES

- Please follow the assembly instructions precisely and only use the product as intended.
- If an odor is present when first opening the package, please leave the unwrapped product in a shaded and ventilated area for a few days to air out.
- Prior to assembly, please check the product for defects or missing accessories. If any defects are found or accessories are missing, do not use product as damage or injury may occur;
Please **contact us** for assistance and replacement.
- During assembly, please only slightly tighten all screws in their correct position first, then fully tighten them. A Philips screwdriver is recommended but not included.
- It is suggested you regularly check the products bolts and connections to ensure safe use.
- Assemble the item on a soft flat and clean surface to avoid scratches and damage.
- It is recommended that two people assemble this product.

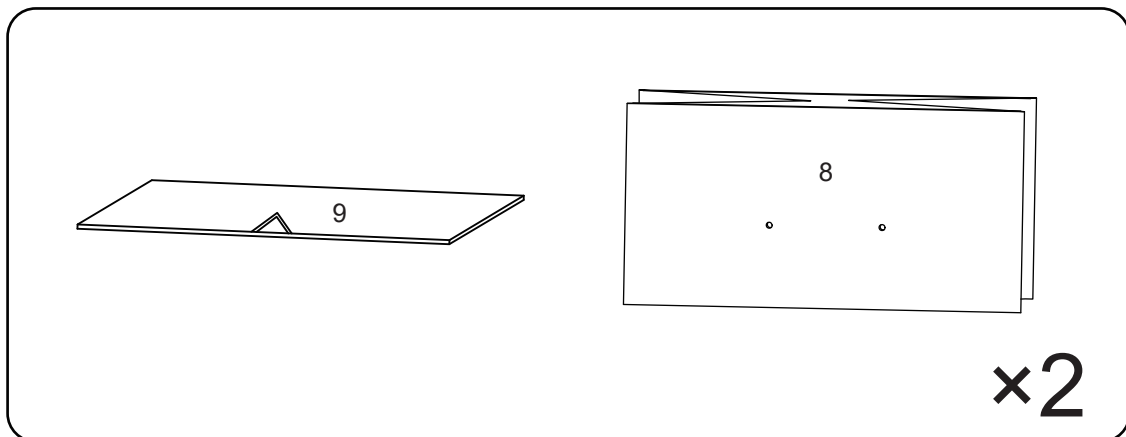
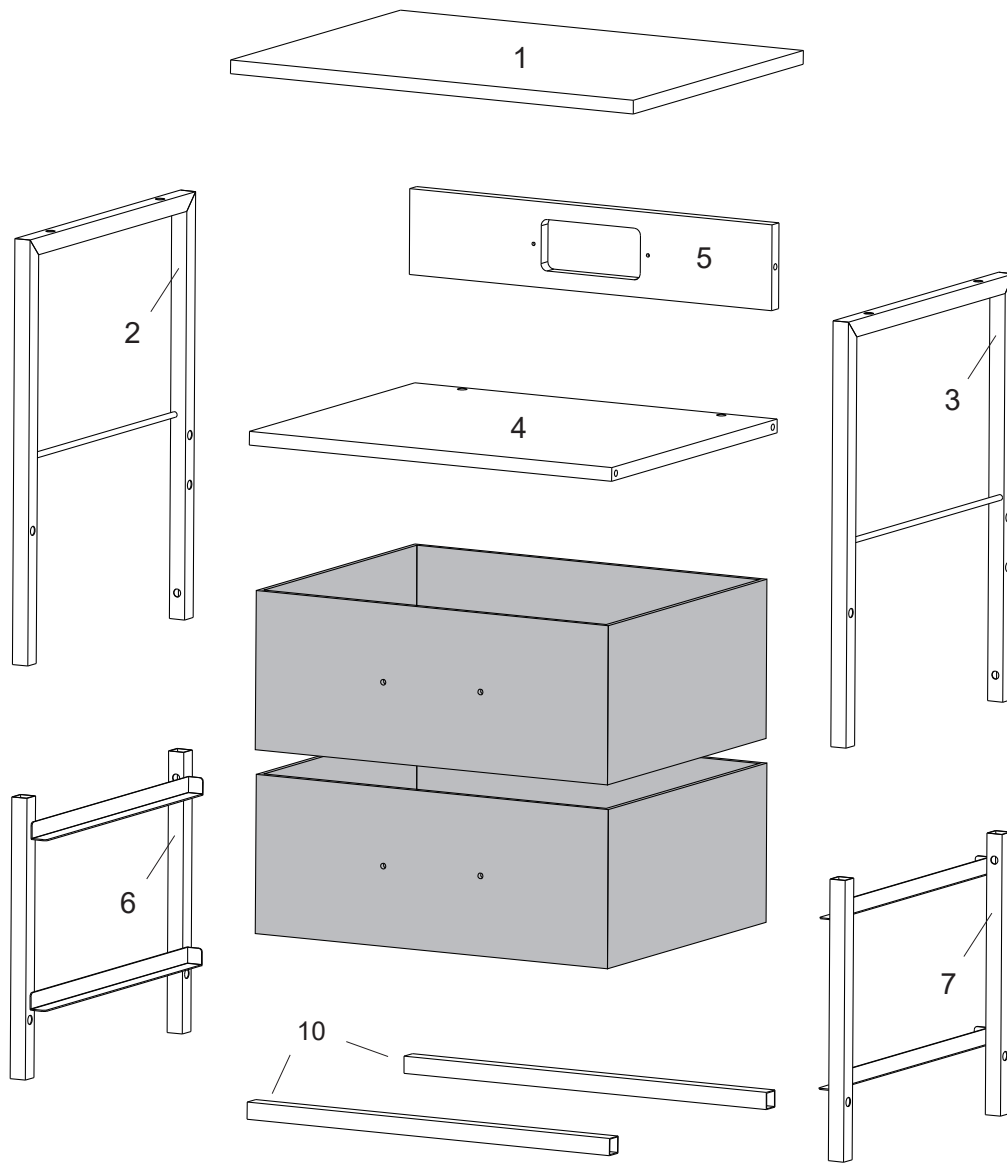
WARNINGS

- During assembly, keep parts and packaging materials away from children and pets as there could cause injury and are a potential choking hazard.
- Avoid sharp objects or corrosive chemicals to prevent damage to the product.
- Please open the item slowly and cautiously to avoid pinching your hands by metal joints, especially children.


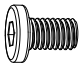
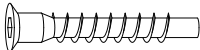
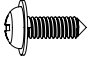



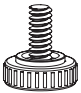


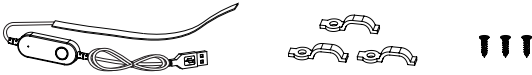
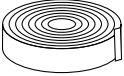


- If you have any further questions, please feel free to contact us by email or official website: **wlive-cs@devaise.com**
We will reply ASAP.
- Before installation, please make sure you have all the hardware, the serial numbers are properly labeled corresponding to the list, and the quantity is correct.
- Enjoy your new purchase!




EXPLODED DRAWING



PARTS

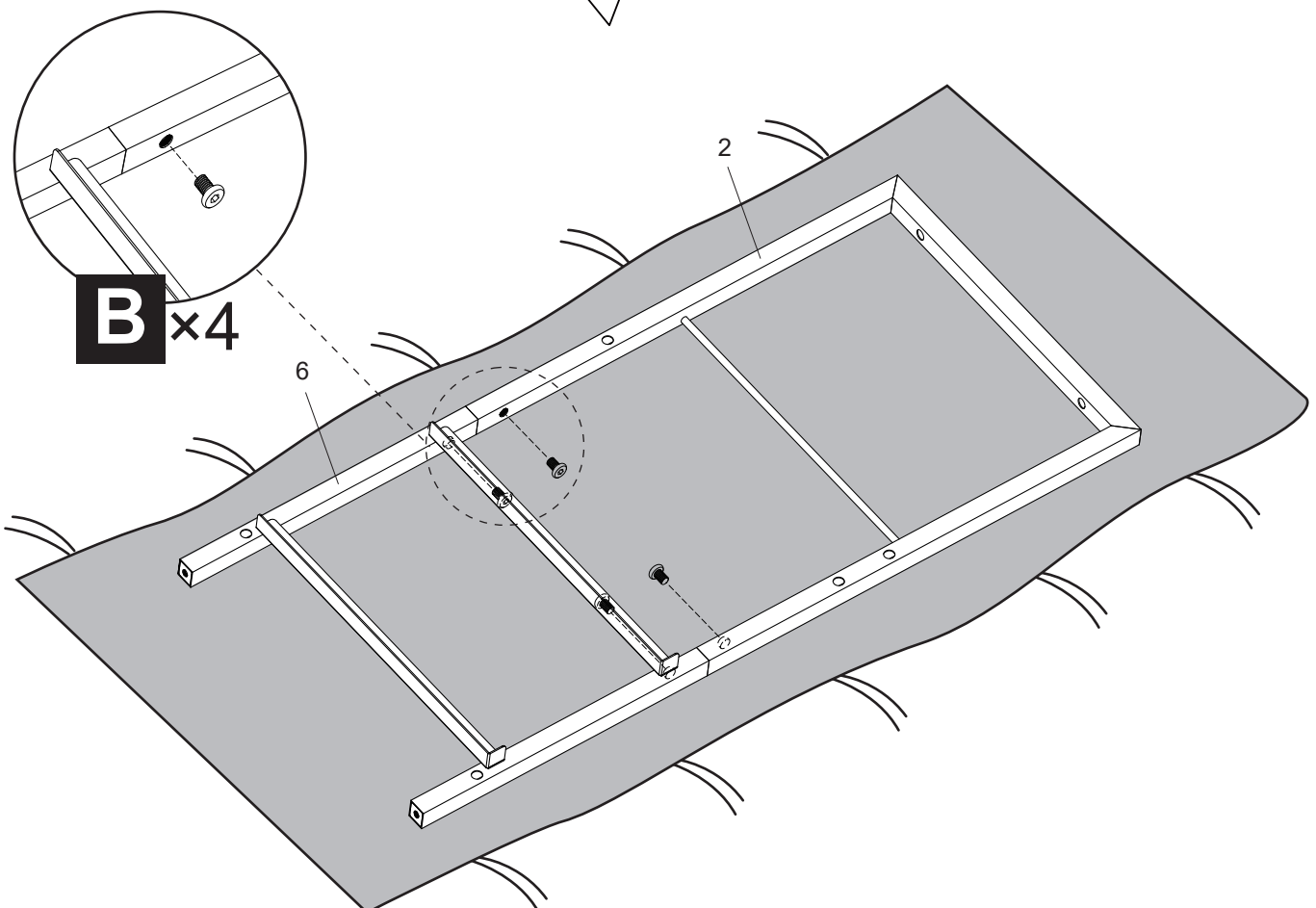
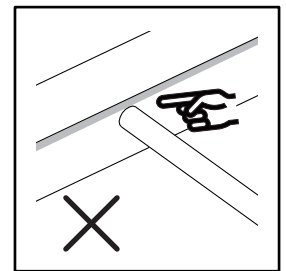
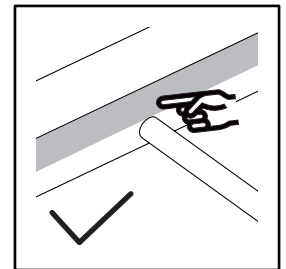
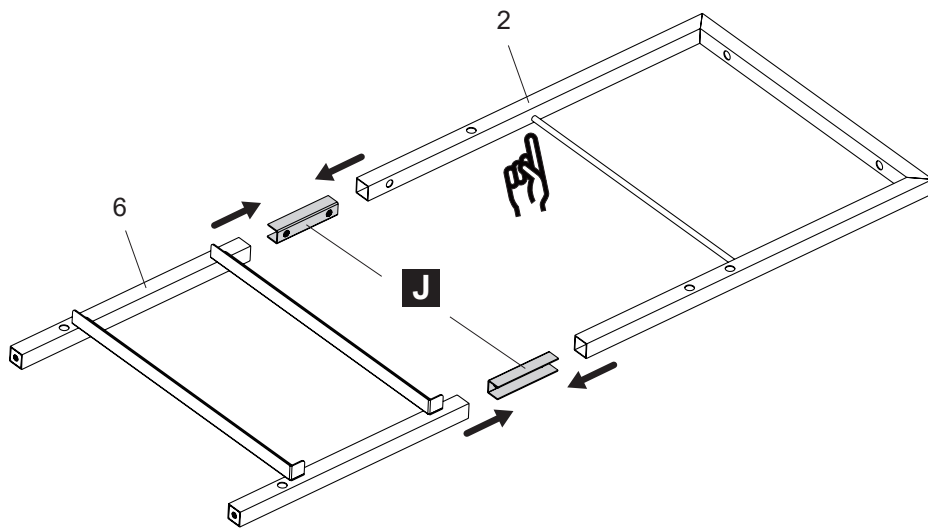
 <p>A X8 M6x23</p>	 <p>B X8 M6x10</p>	 <p>C X8 M7x38</p>	 <p>D X4 M4x12</p>
 <p>E X2</p>	 <p>F X1</p>	 <p>G X2 M4x11</p>	 <p>H X4</p>
 <p>I X1</p>	 <p>J X4</p>	 <p>K1 K2 K3</p>	
 <p>L X1</p>			

1

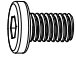


 <p>B X4 M6x10</p>	 <p>J X2</p>	 <p>I X1</p>
--	---	--

REMARK

1. Put a blanket under the board to avoid scratch or damage.
2. Please do not fully tighten screws until all screws are in place.

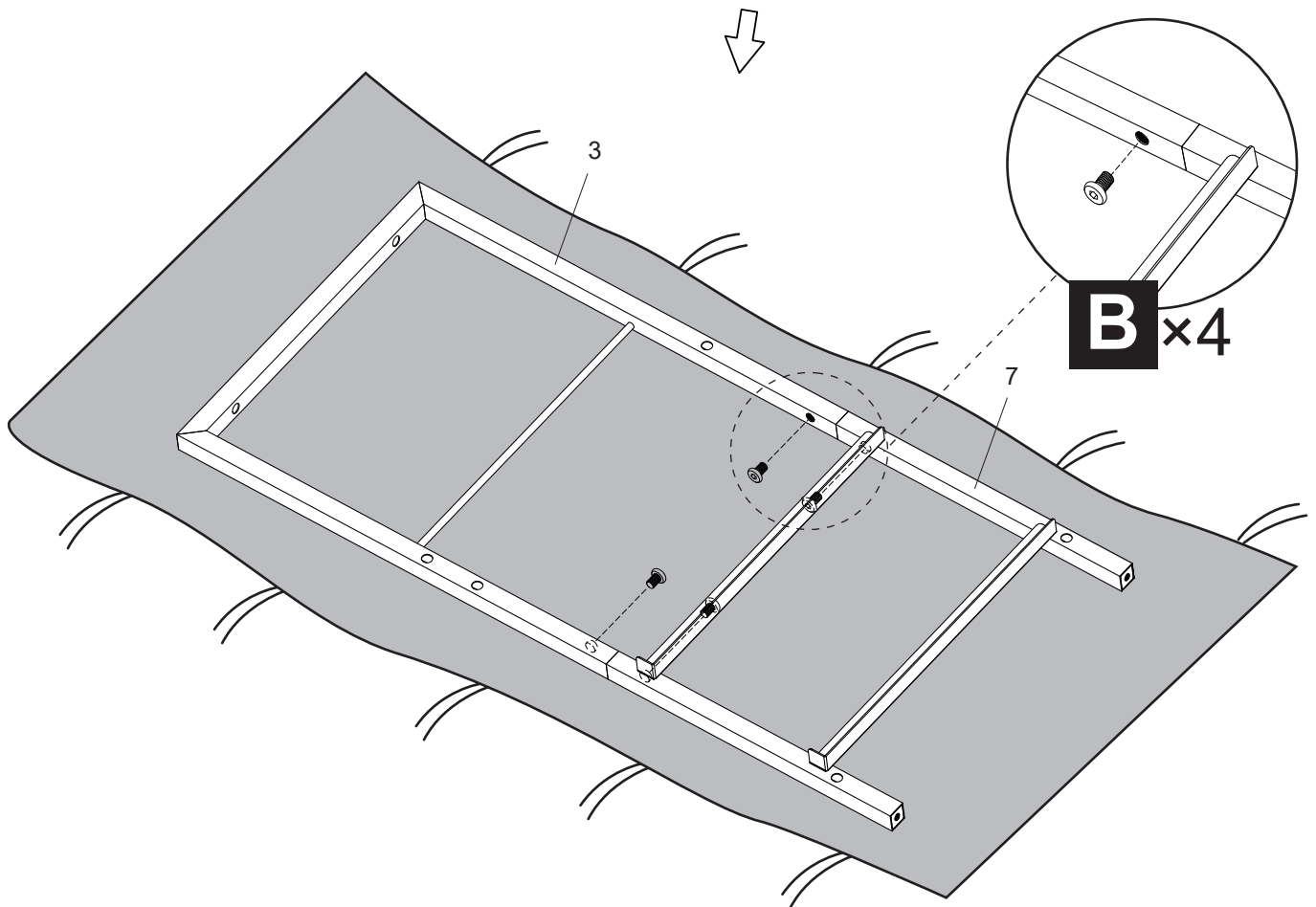
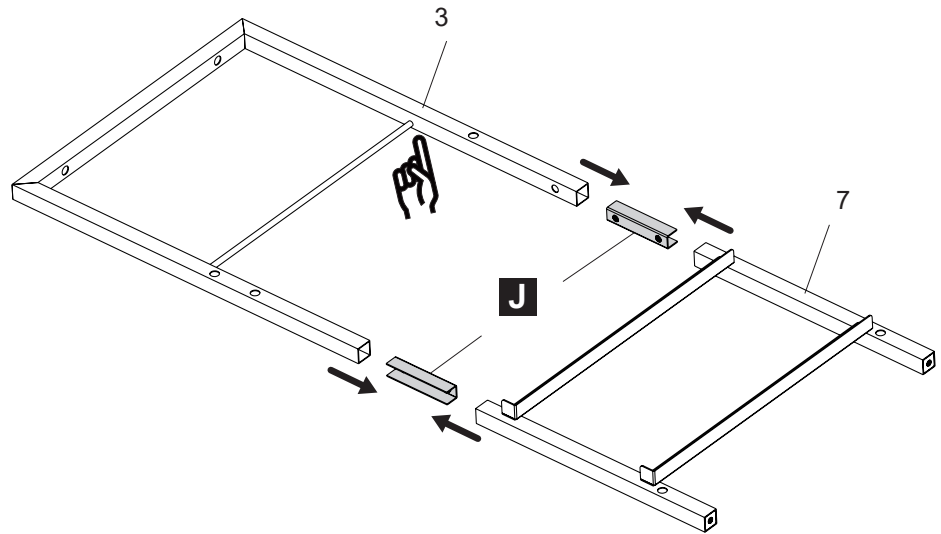
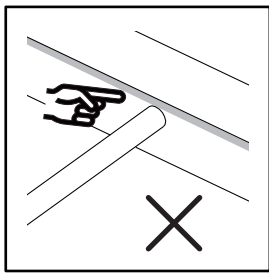
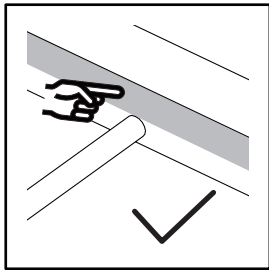


2

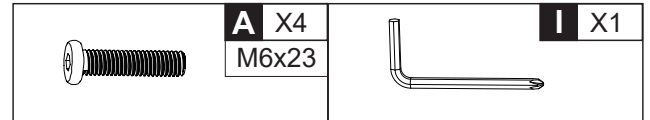
 <p>B X4 M6x10</p>	 <p>J X2</p>	 <p>I X1</p>
--	---	--

REMARK

1. Put a blanket under the board to avoid scratch or damage.
2. Please do not fully tighten screws until all screws are in place.

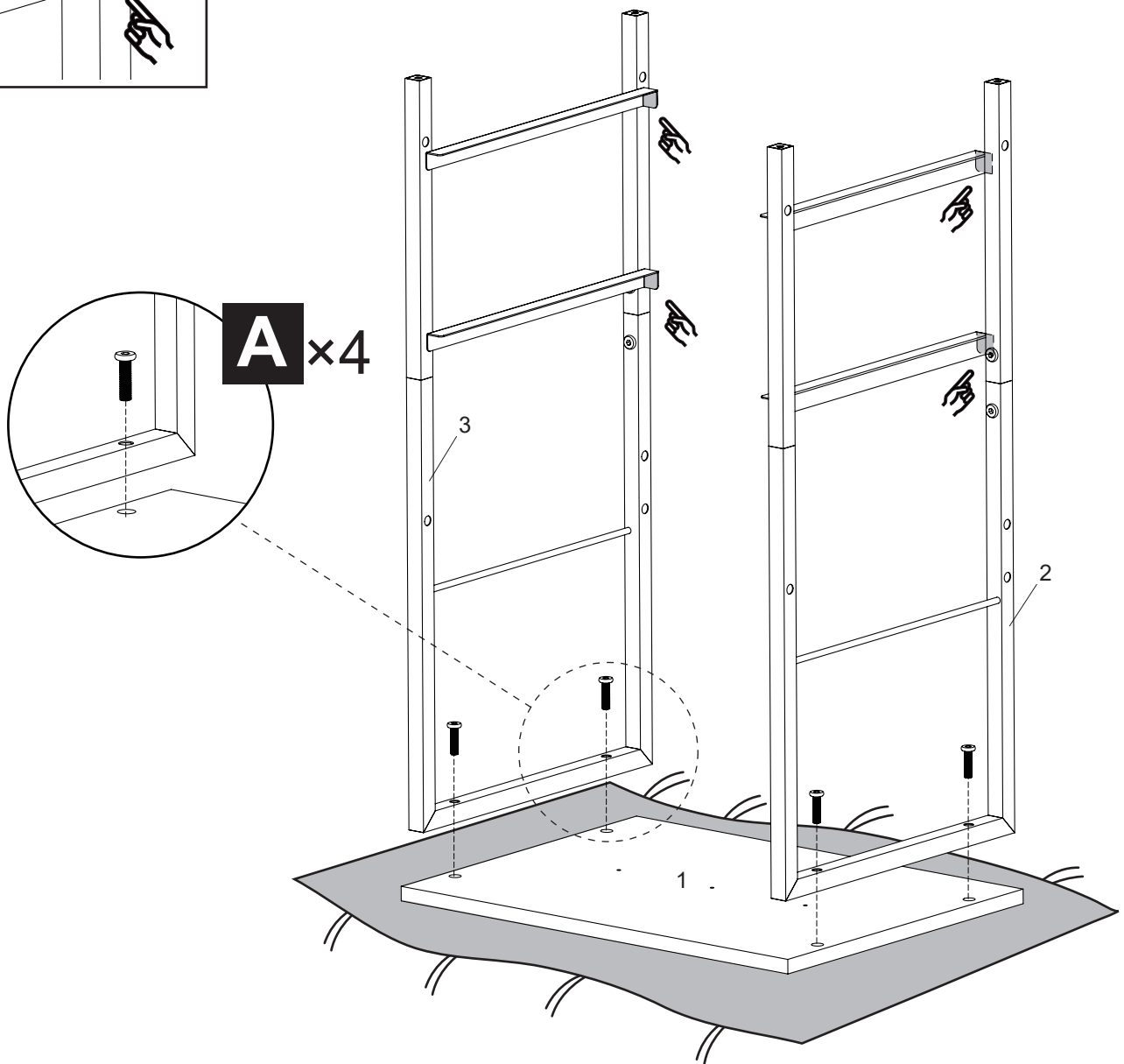
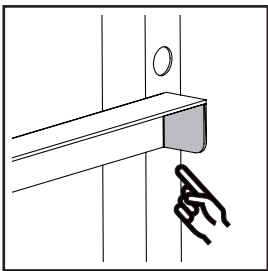


3

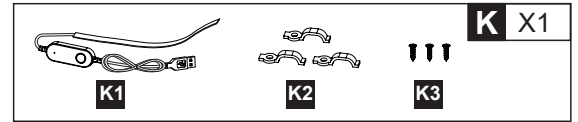


REMARK

1. Put a blanket under the board to avoid scratch or damage.
2. The shaded parts are on the same side.
3. Please do not fully tighten screws until all screws are in place.

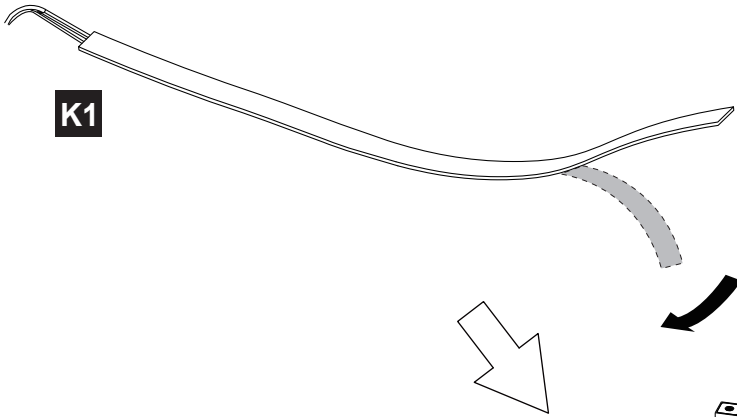


4

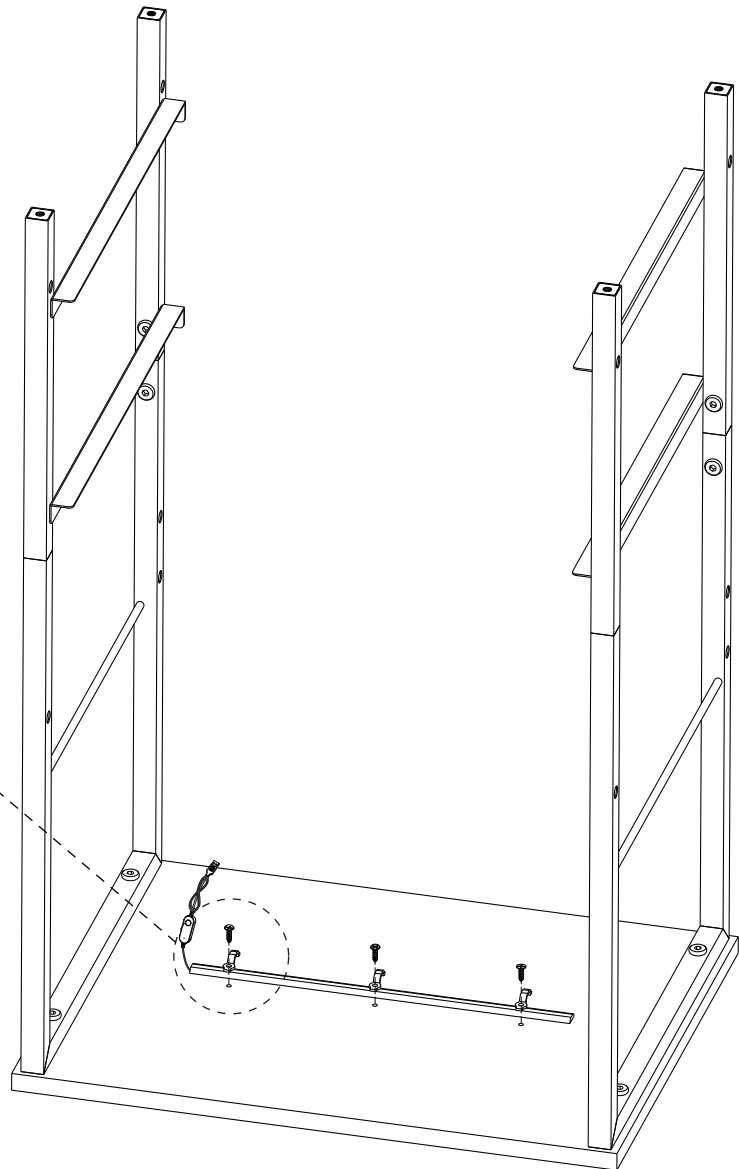
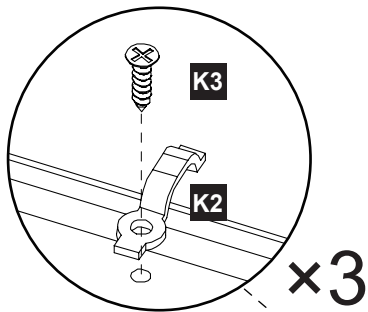


REMARK

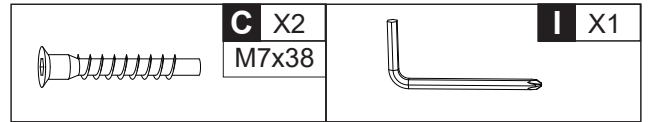
Peel off the fixing adhesive on the back of the **K1** part .



CORRECT LOCATION	
Right	✓
Too far	✗
Cover	✗

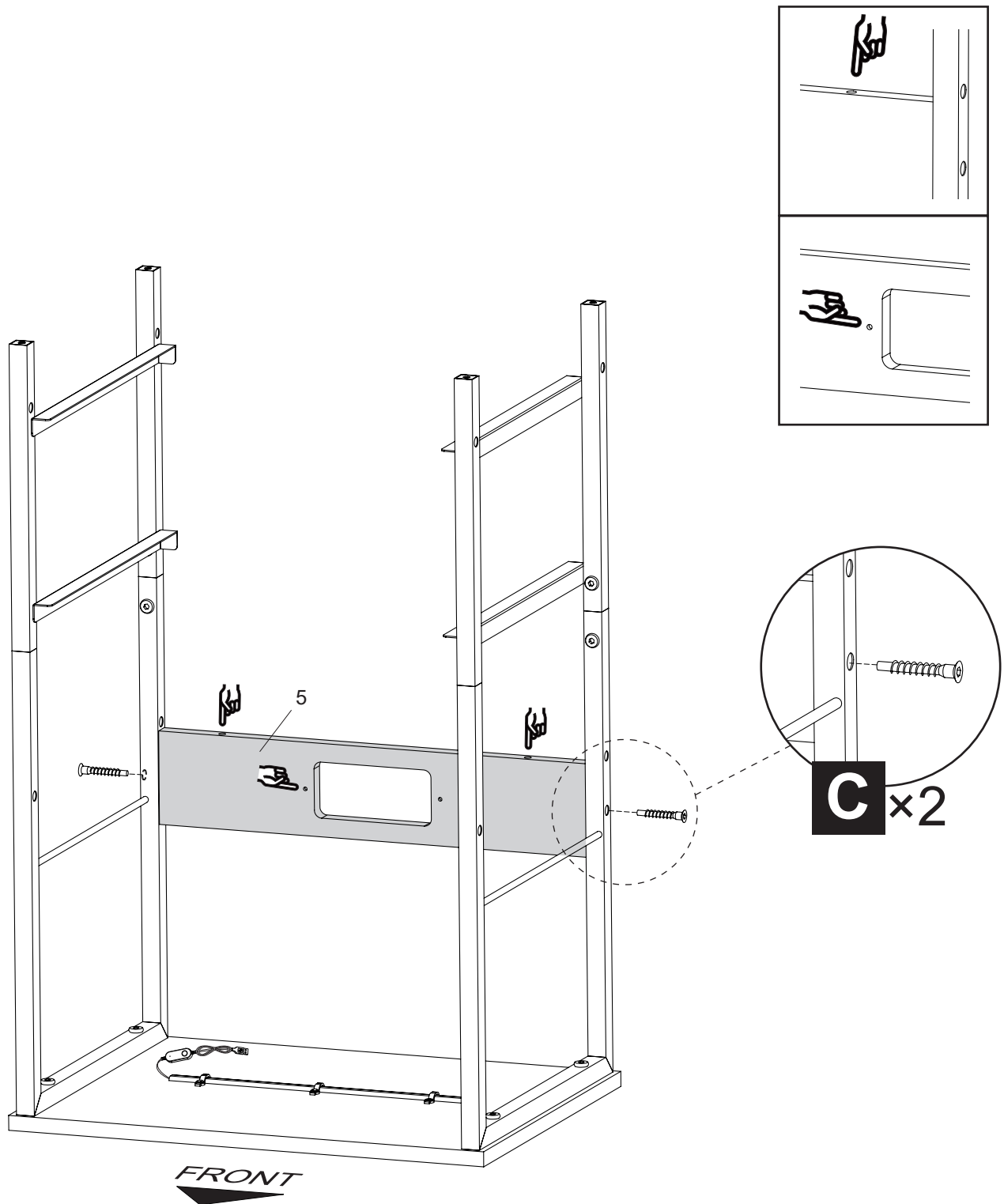


5

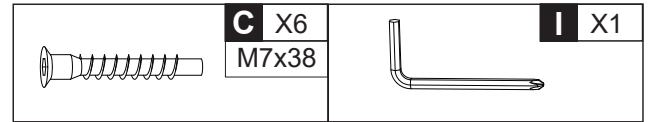


REMARK

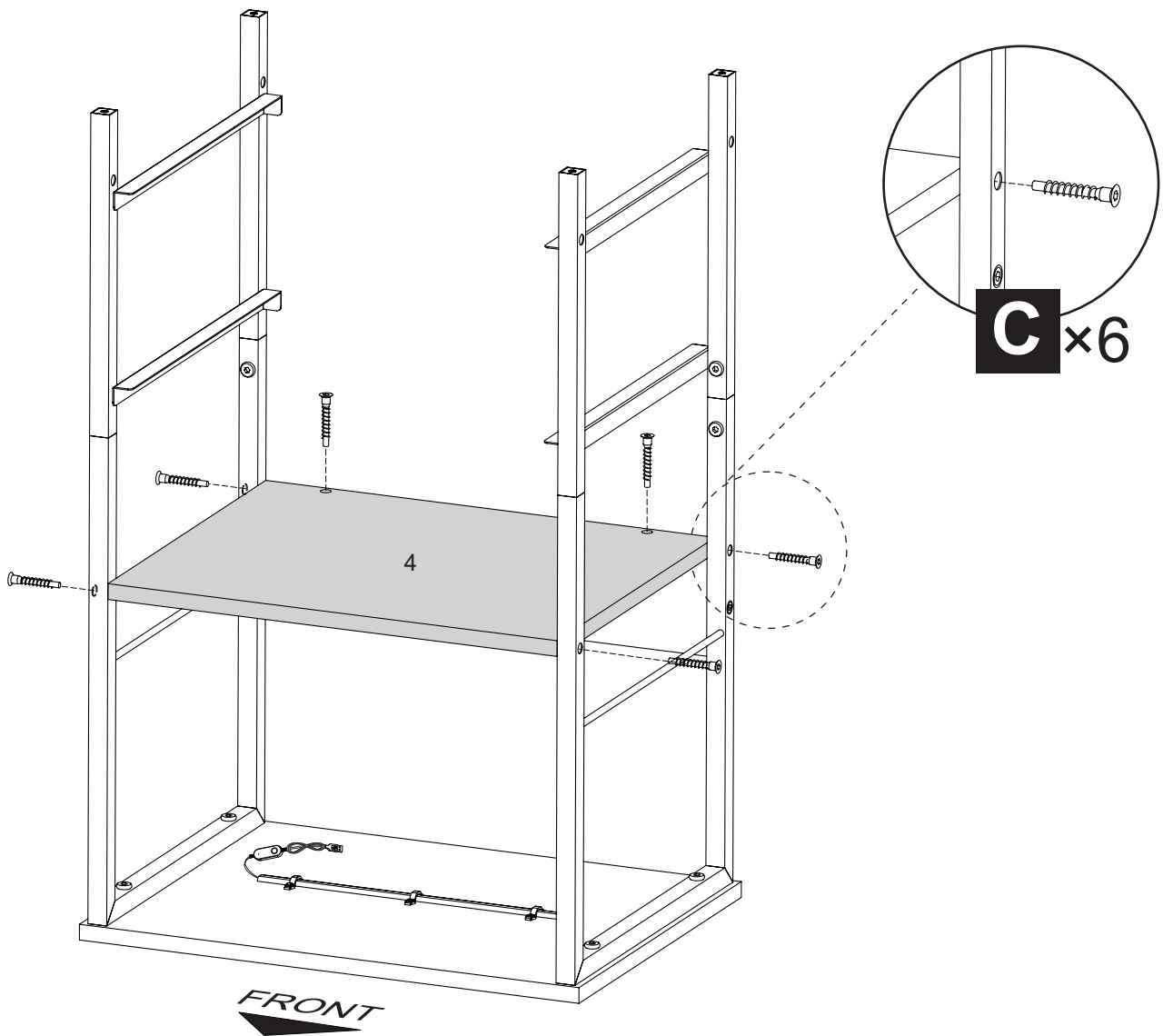
Please do not fully tighten screws until all screws are in place.



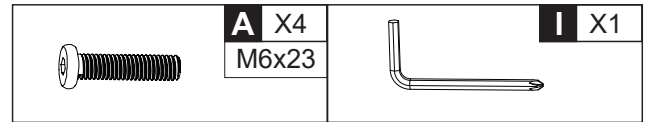
6

**REMARK**

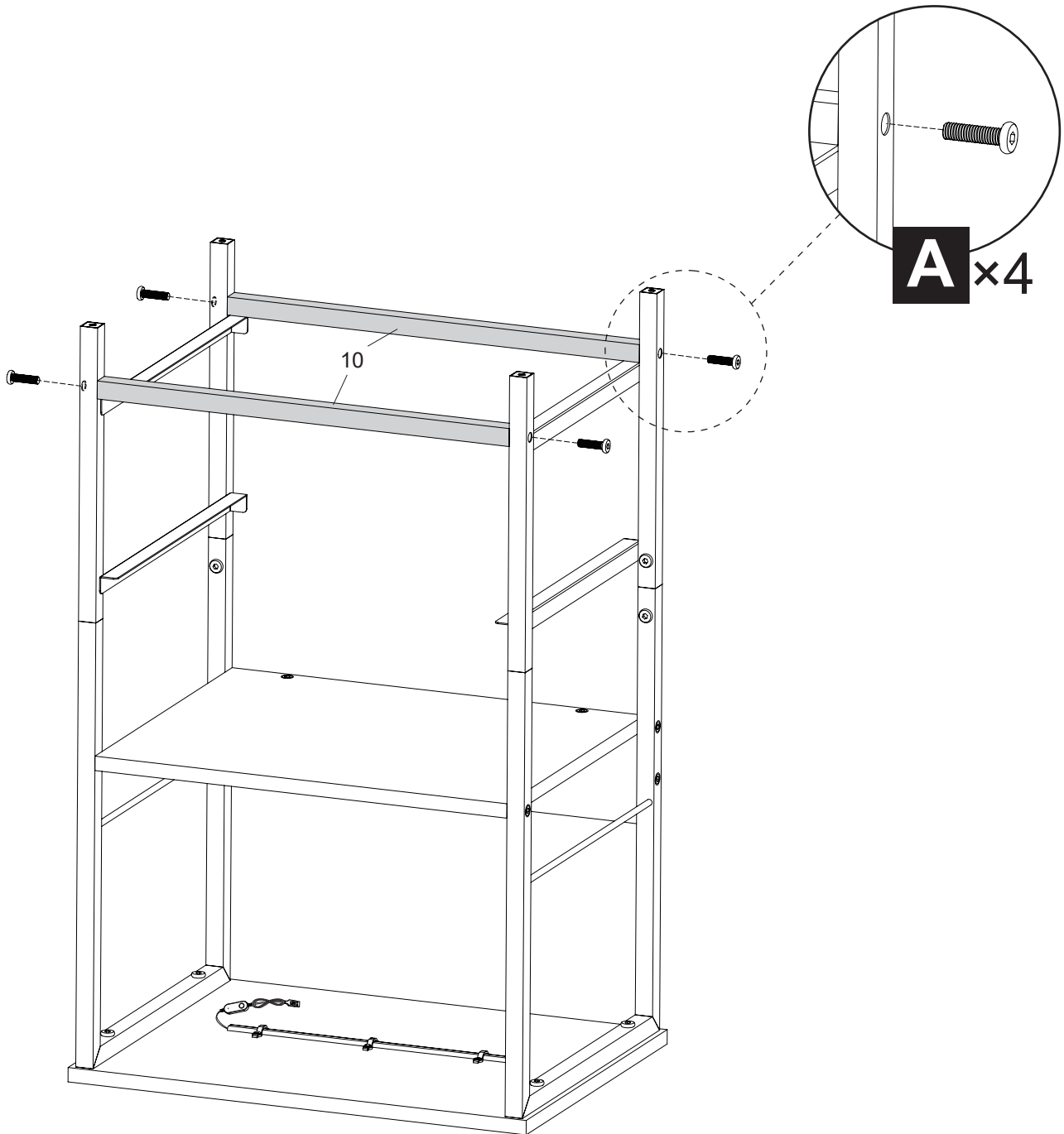
1. Please do not fully tighten screws until all screws are in place.
2. The color of the shelf should be consistent with the countertop.

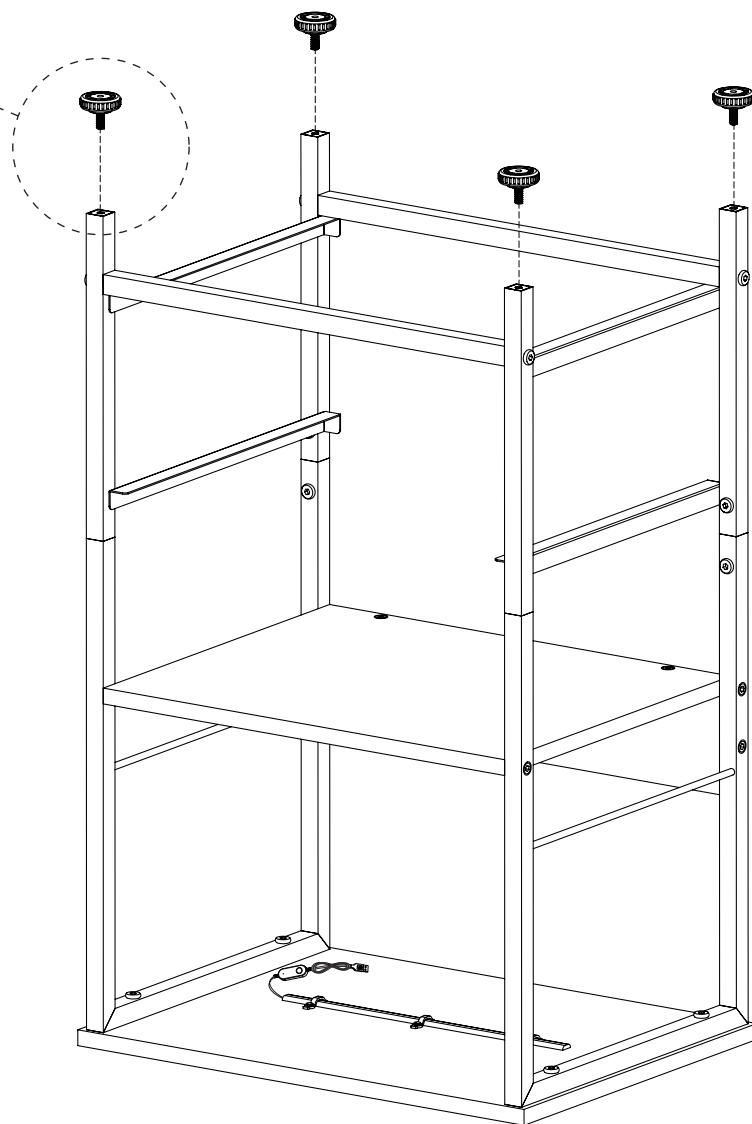
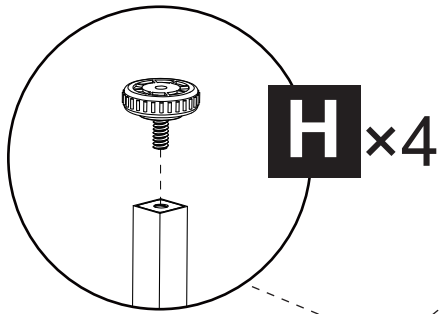
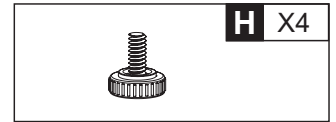


7

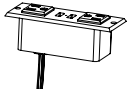


**REMARK**

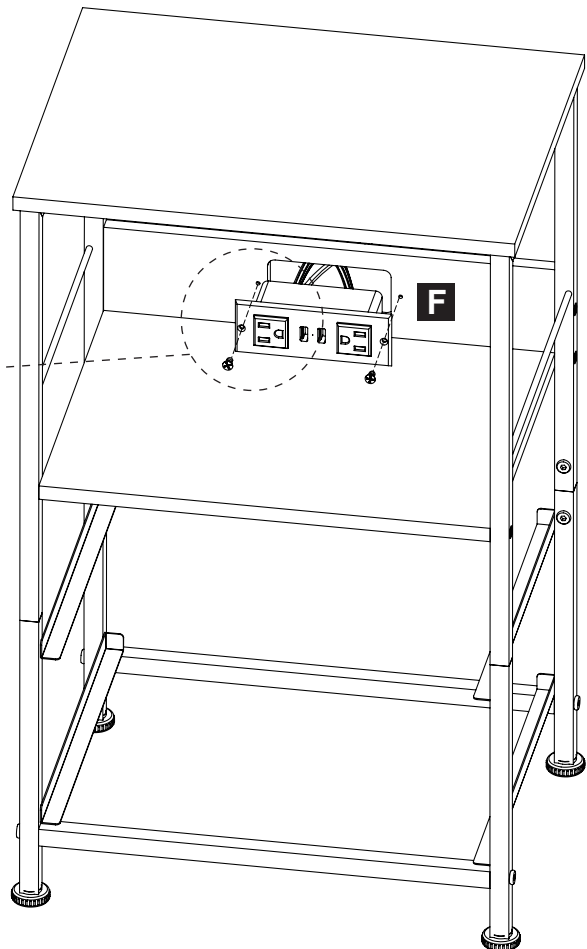
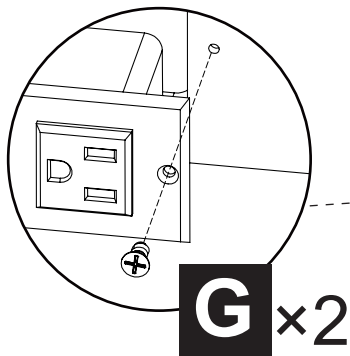
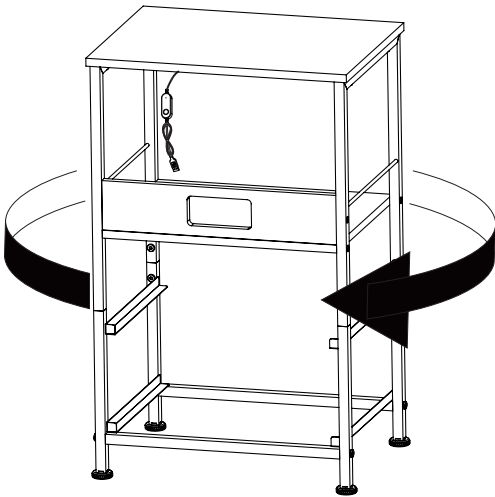
Please fully tighten all the screws after they are in right place.



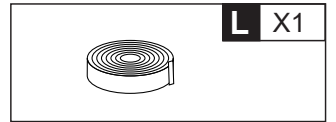


9

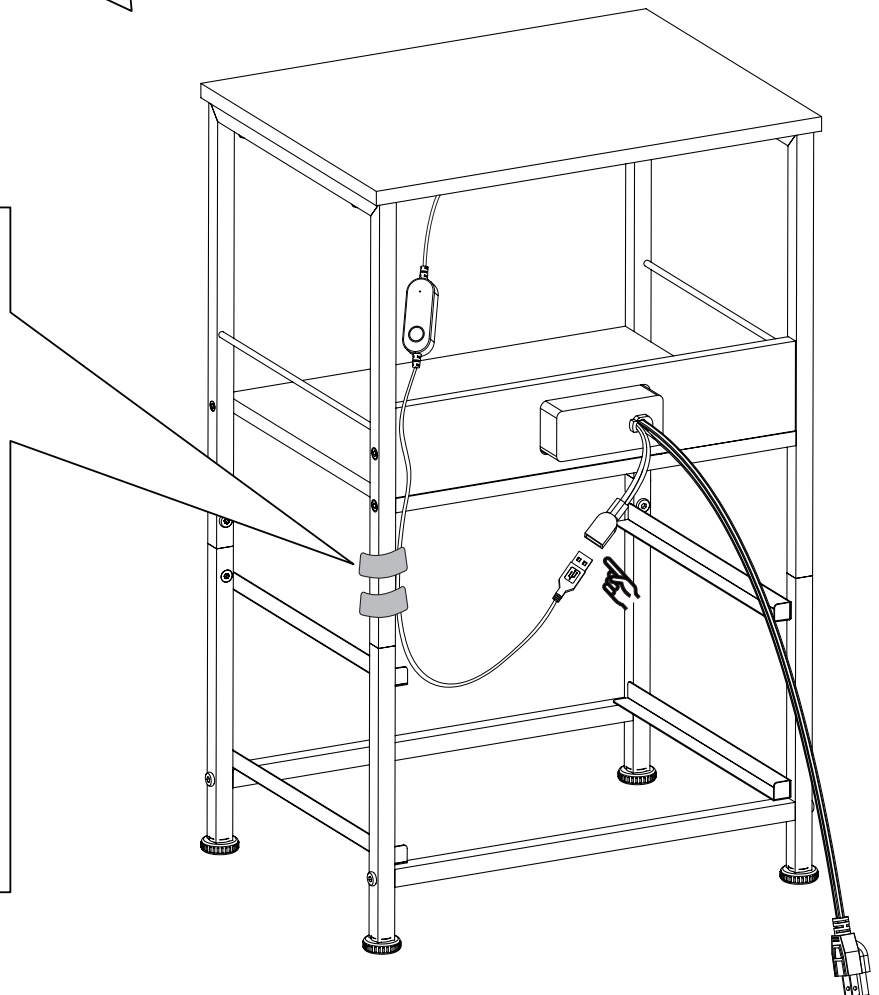
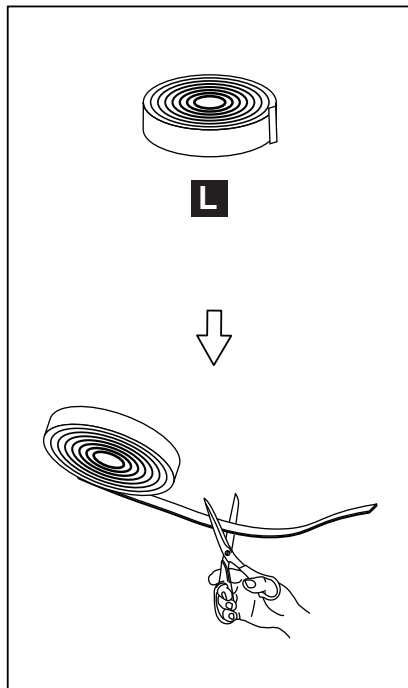
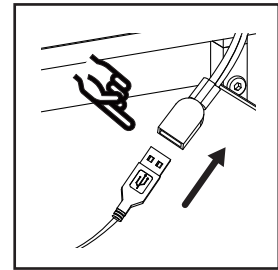
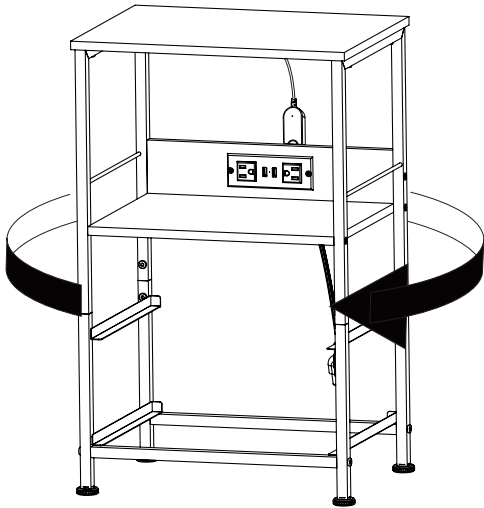
 <p>F X1</p>	 <p>G X2 M4x11</p>	 <p>I X1</p>
--	---	--




10

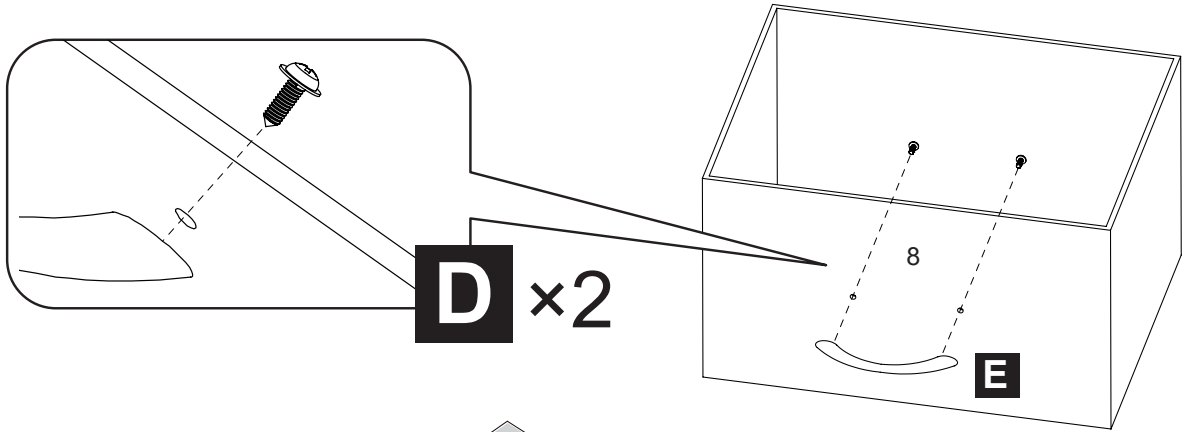
**REMARK**

After connecting, please use **L** to store the cable according to your needs.

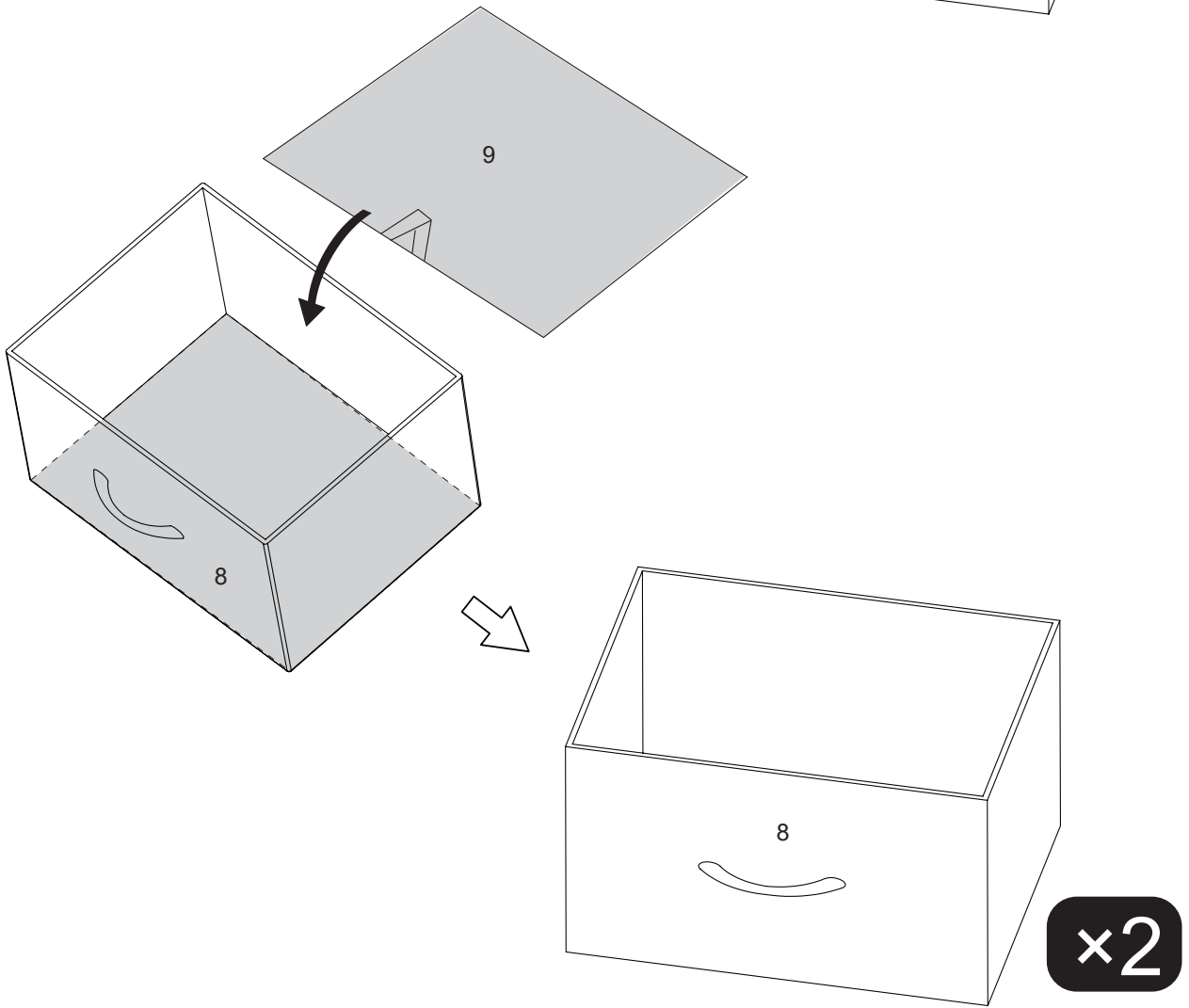


11

 <p>D X4 M4x12</p>	 <p>E X2</p>	 <p>I X1</p>
--	---	--

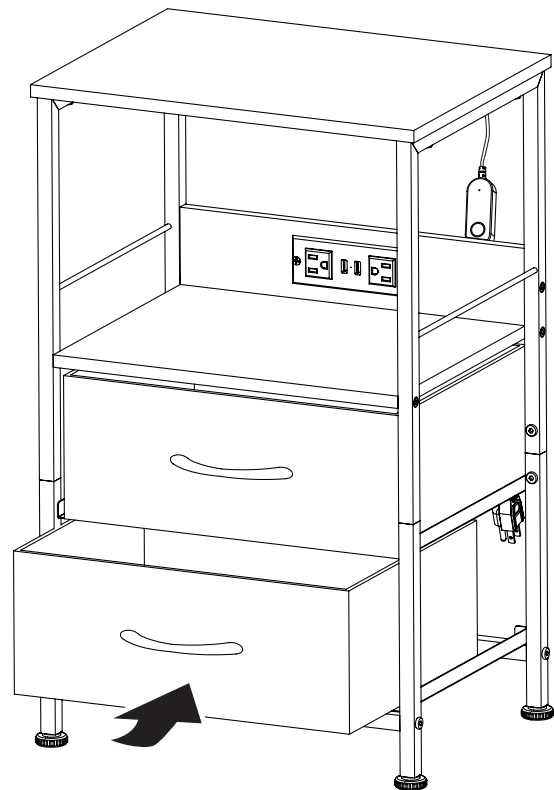
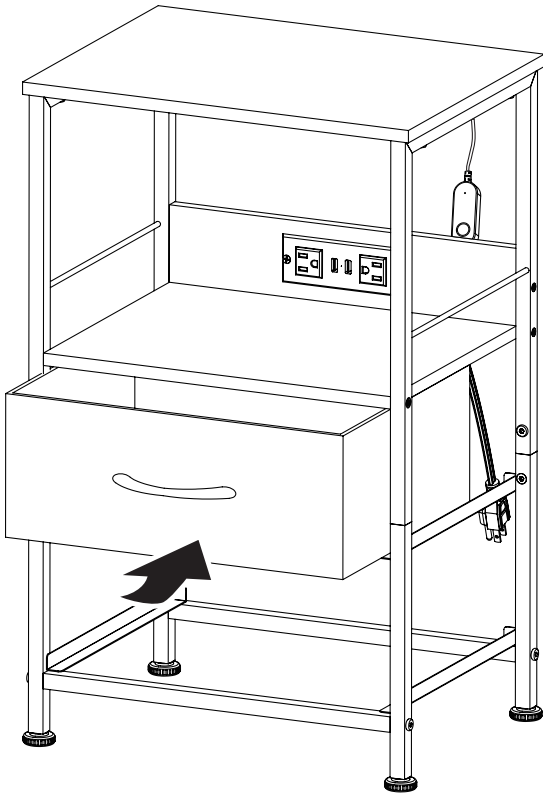


D x2

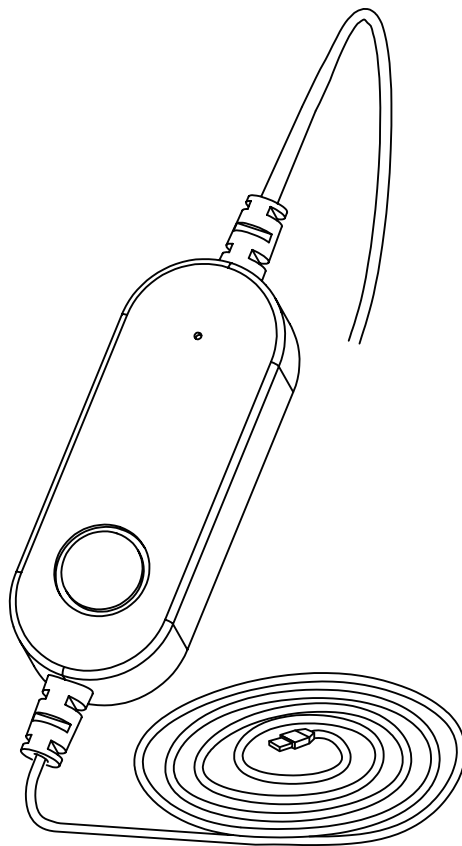


x2

12



User instruction for led strip light



If you have any further questions, please feel free to contact us by official email: **wlive-cs@devaise.com**, we will reply to you within 24 hours.

CE RoHS FC  

Instructions for use of led controller

IOS and Android system can download the " iStrip+ " APP on the cell phone to control the lighting.

1. There are the following ways to download the APP——iStrip+



2. Download steps:

- ①Open APP Store or Google Play on the cell phone.
- ②Search for " iStrip+ ".
- ③Click "Download" to get the APP.

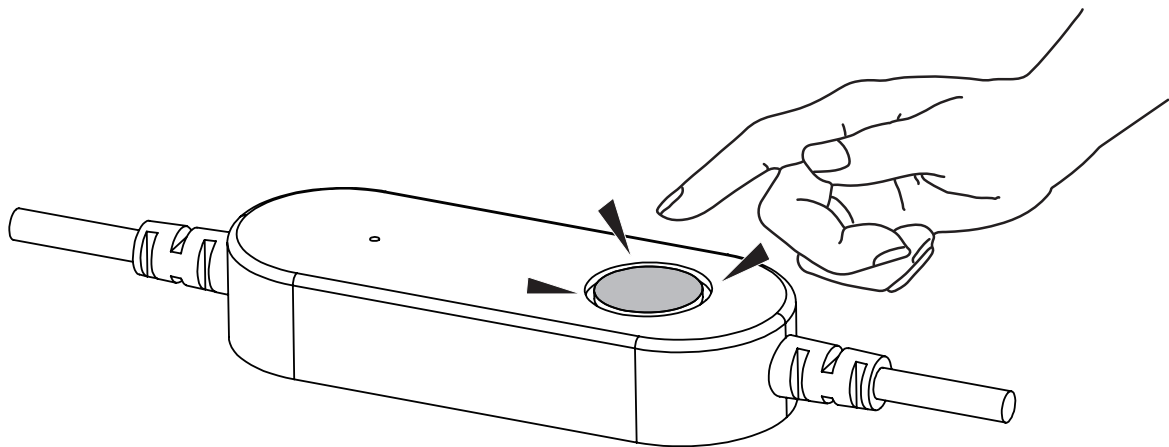
3. Use APP to connect lighting devices by following the provided.



WARNING

- ★ DO NOT IMMERSE IN FIRE
- ★ CHILDREN UNDER THE AGE OF 16 SHOULD USE THIS PRODUCT UNDER ADULT SUPERVISION.

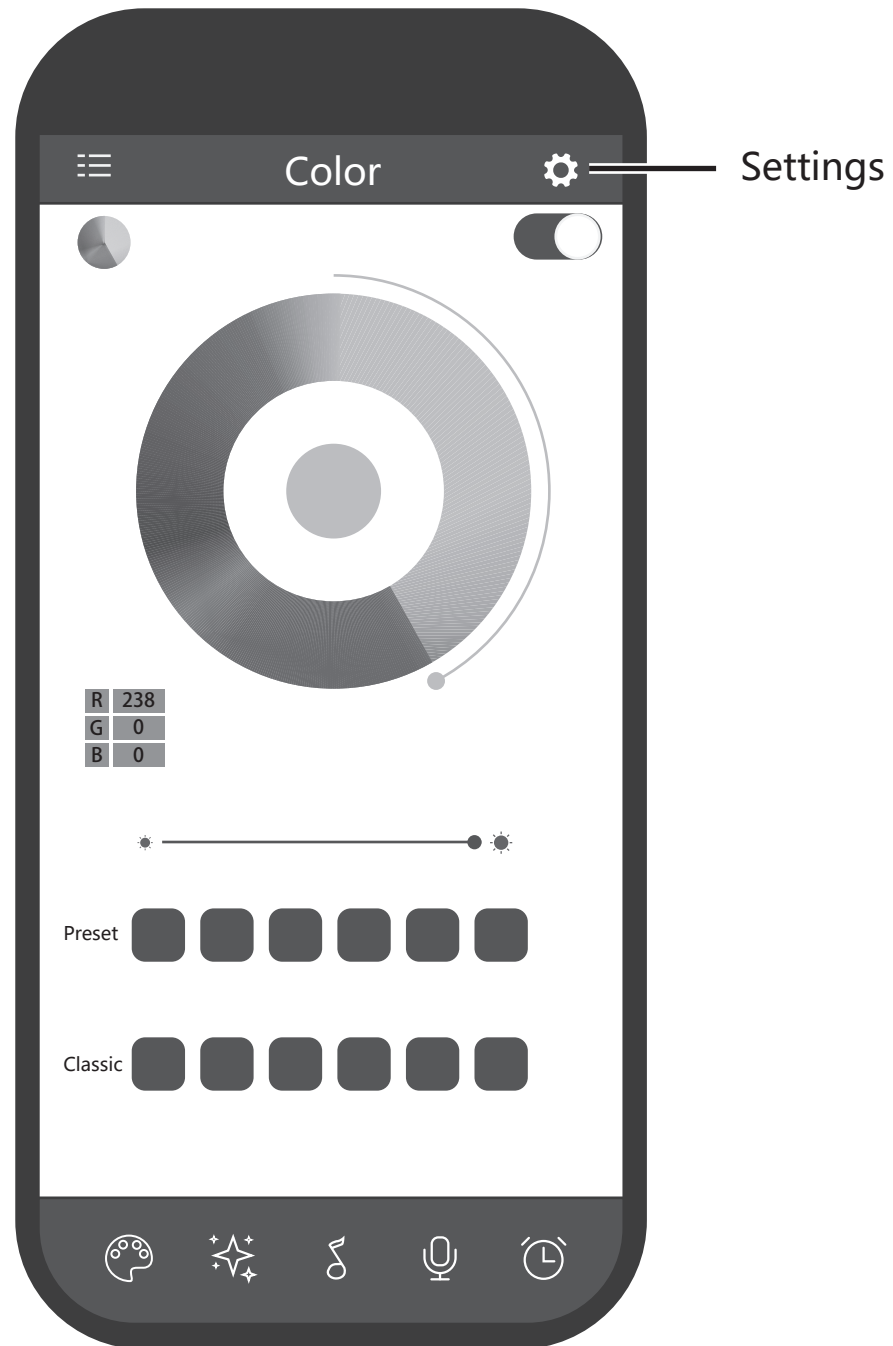
Music Remote(Advanced Version)



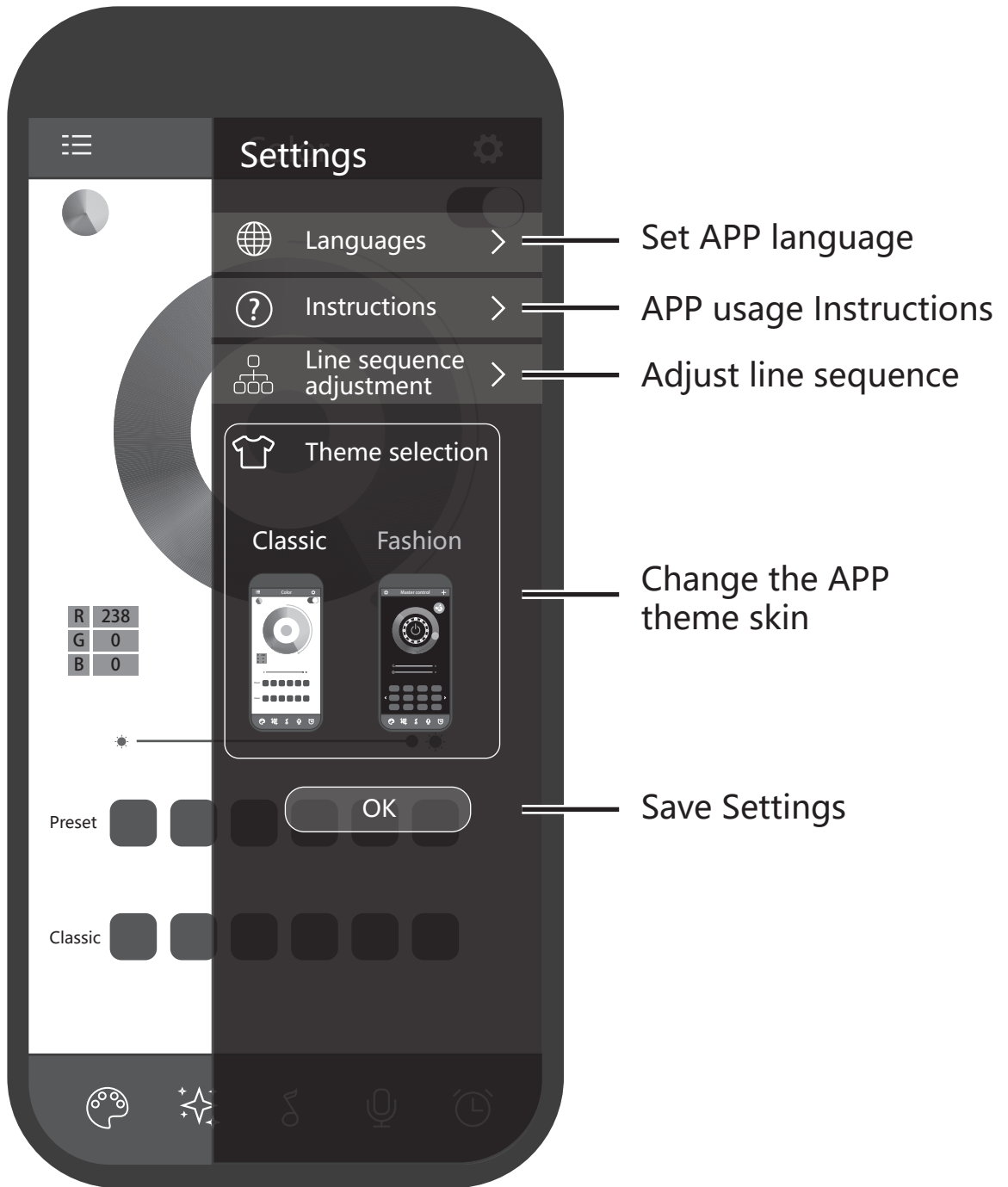
Integrated Control Switch Function Description:

- 1.Single Short Press: Pressing the switch once quickly turns on the light.
- 2.Single Short press (again): Change light Mode and Color (There are a total of 31 light modes and colors available, and each press cycles through them.)
- 3.Single long press for 3 seconds: Turn off the light.

Click the Settings button to access the app settings and instructions

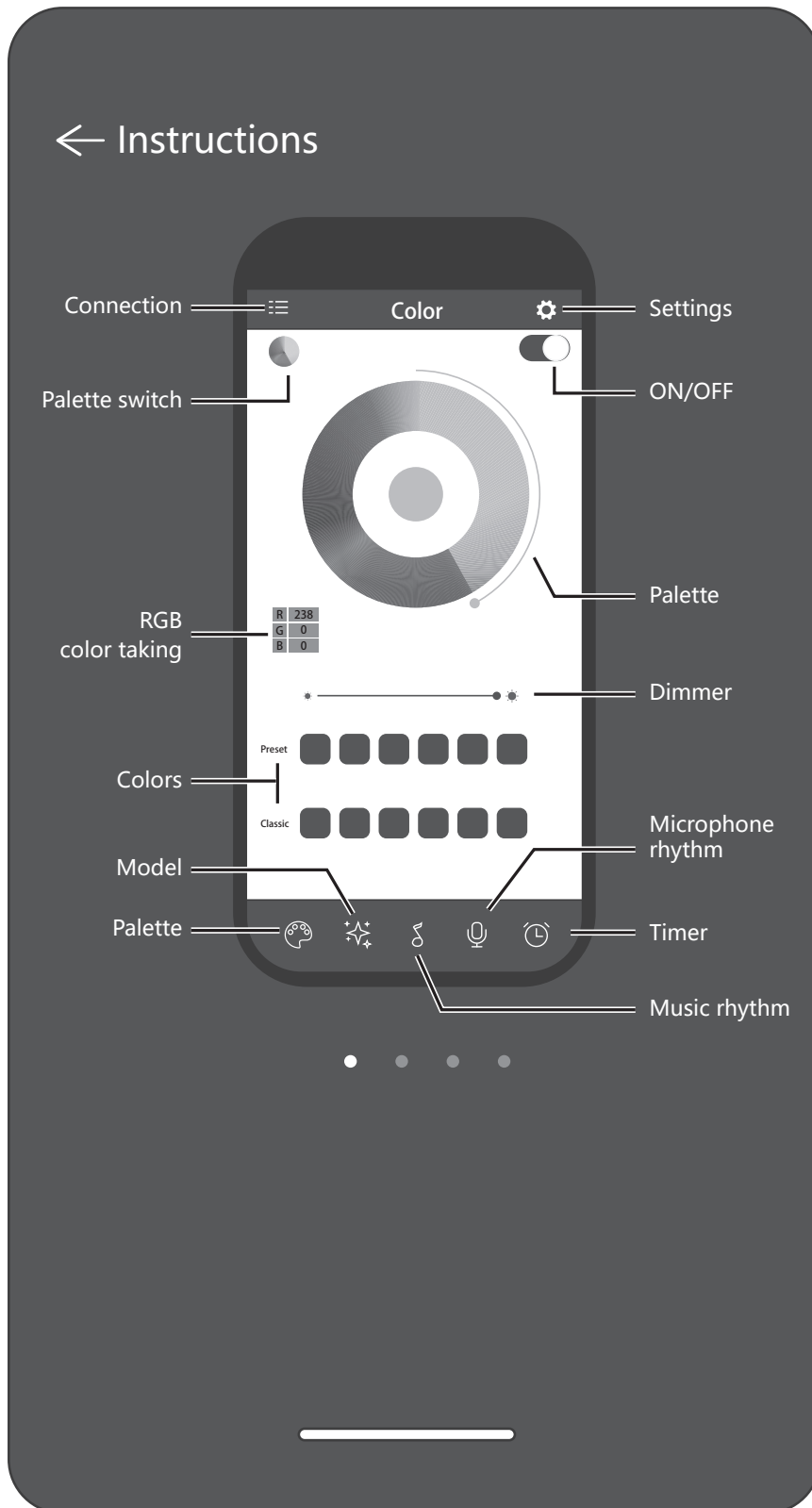


Settings



Instructions

Swipe right to view the app's usage instructions



Line sequence adjustment

Select the light sequence of the lamp band

