

2600-040 : MIRROR
2610-040 : MIRROR

Assembly Instruction

A. Component :

Qty

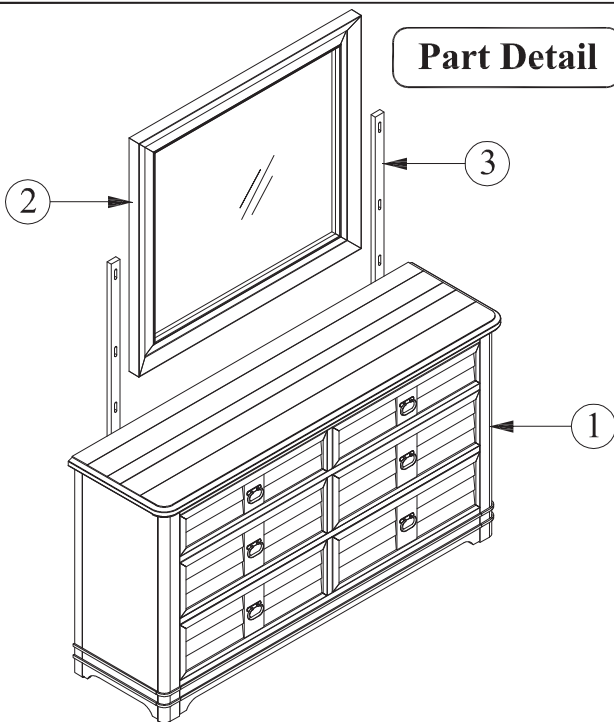
- 1. Dresser 1 Pc
- 2. Mirror 1 Pc
- 3. Support Mirrors 2 Pcs

B. Hardware :

Qty

- A. Flat Washer Ø8 x Ø19 mm 8 Pcs
- B. Lock Washer 5/16"
- C. Bolt Ø5/16" x 35 mm 8 Pcs
- D. Allen Key 5 mm 1 Pc

Part Detail



Step

