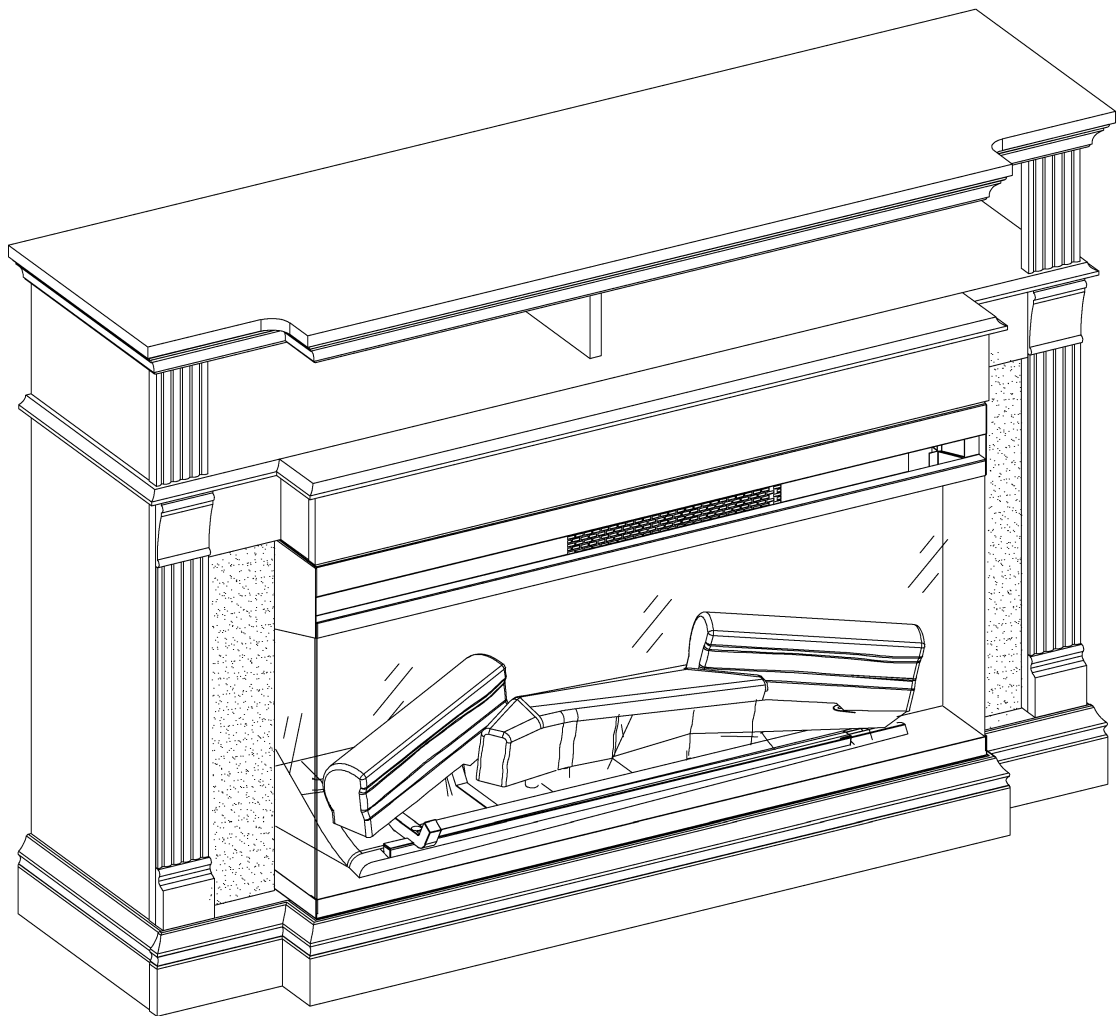
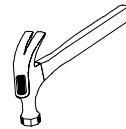
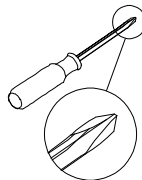
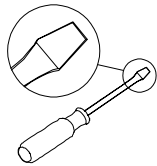


ASSEMBLY INSTRUCTIONS

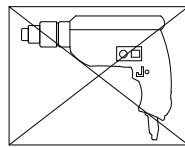


Before You Start

1. Read through each step carefully and follow the proper order.
2. Separate and count all your parts and hardware.
3. Give yourself enough room for the assembly process.
4. Assemble this product on the empty carton or carpet to avoid scratching.
5. Two people are recommended for ease in the assembly of this product.
6. Keep all small parts of this product away from children. They may cause serious injury.
7. Have the following tools: Flat Head Screwdriver, #2 Phillips Head Screwdriver and Hammer.

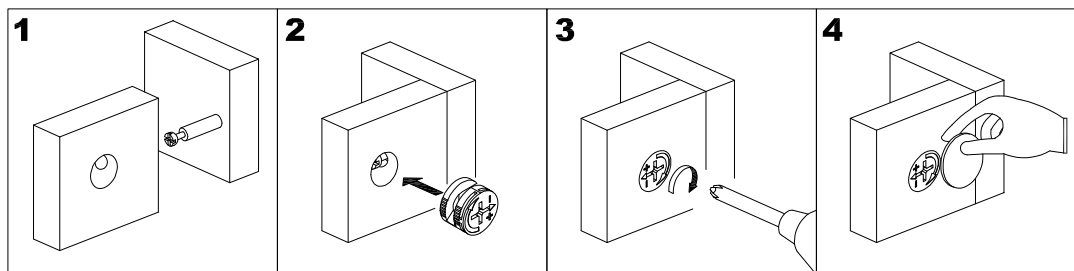


8. Power tools should not be used to assemble this product.

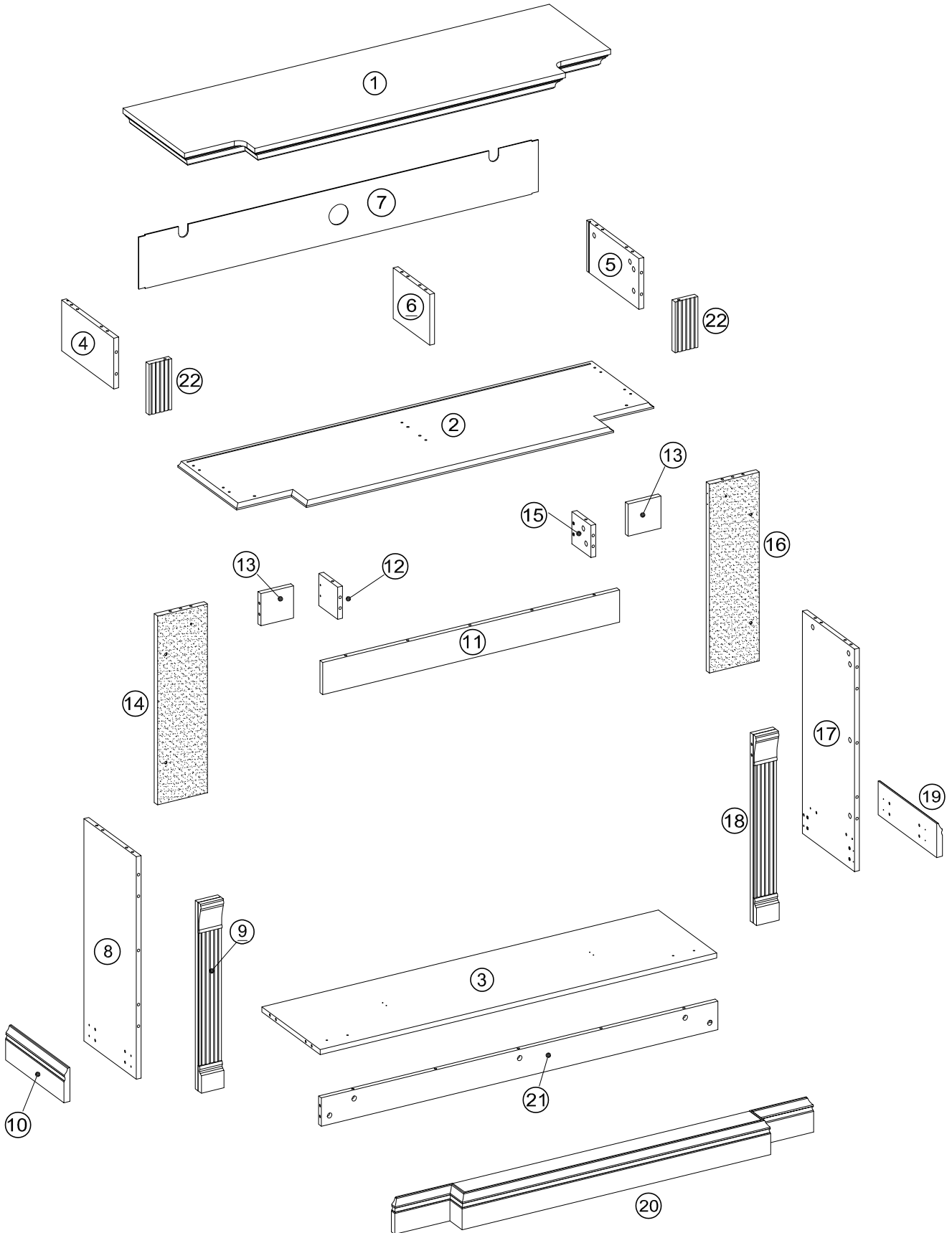


HOW THE KNOCK DOWN (KD) ASSEMBLY SYSTEM WORKS


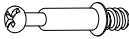


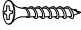

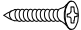
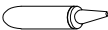
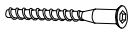
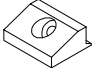
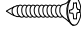


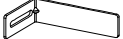
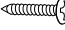
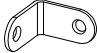
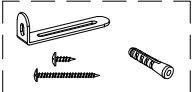
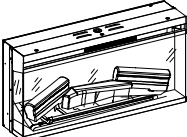
1. Screw the Cam Bolt into the pre-drilled hole on the panel. Make sure Cam Bolt goes into the pre-drilled hole on the end of panel for Cam Lock.
2. Insert the Cam Lock into the pre-drilled large hole on the panel. Make sure the arrow on the face of Cam Lock points towards Cam Bolt.
3. Take a Phillips screwdriver and rotate the Cam Lock clockwise to lock the Cam Bolt.
4. Use the sticker to conceal the Cam.

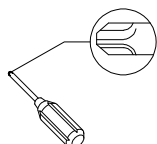


Parts List



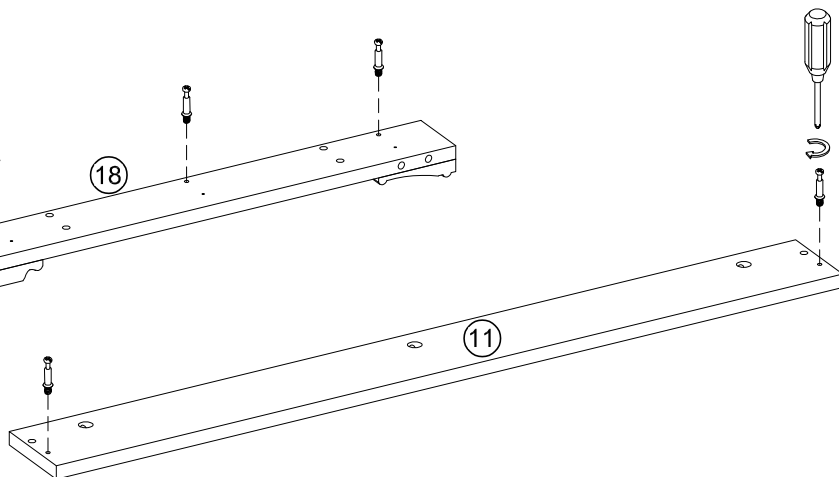
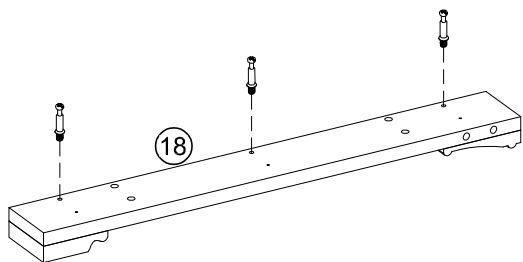
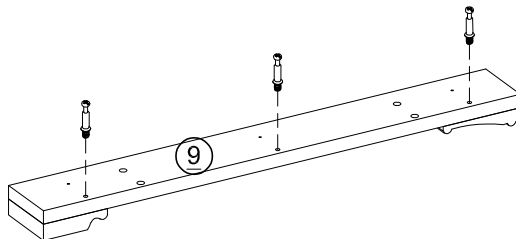
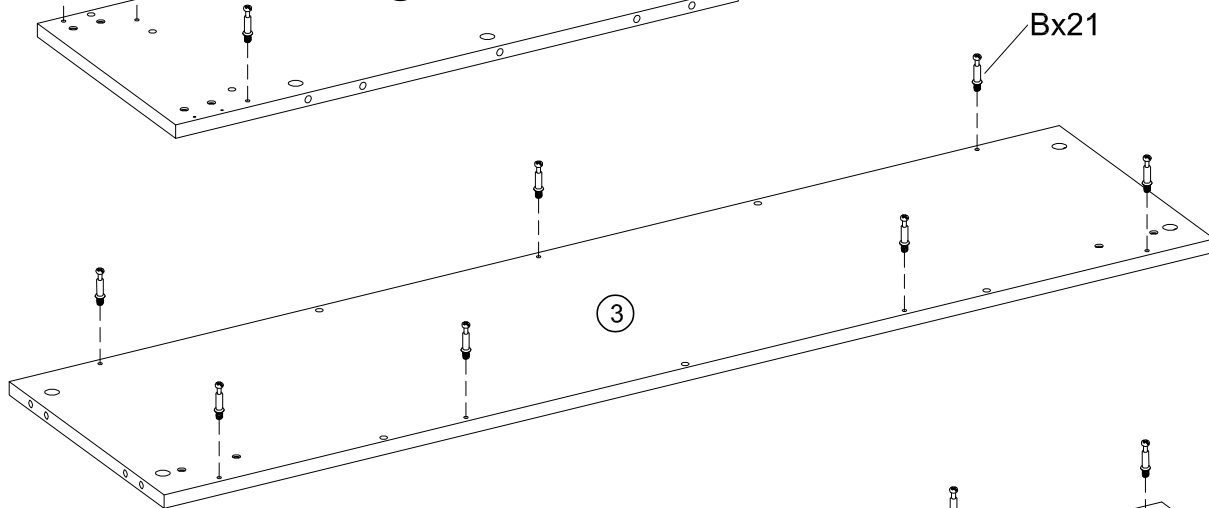
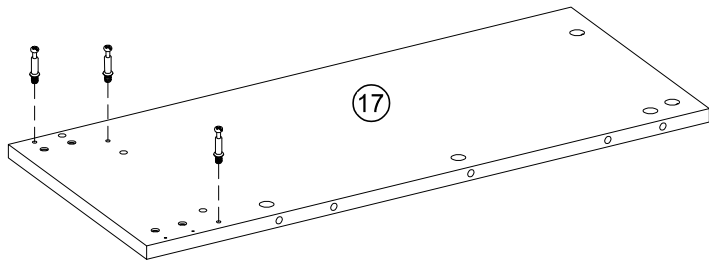
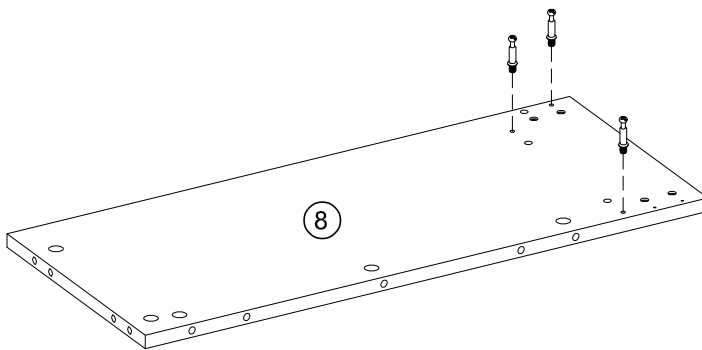
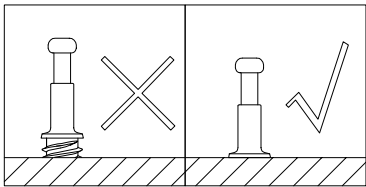
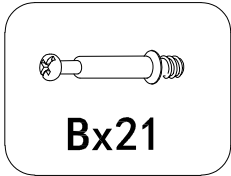
Hardware List

A		Ø8x30mm	Wood dowel	47 pcs
B		Ø6x35mm	Cam bolt	42 pcs
C		Ø15x11mm	Cam lock	42 pcs
D			Sticker	42 pcs
E		Ø4x25mm	Screw	16 pcs
F		Ø8x20mm	Wood dowel	12 pcs
G		Ø3.5x14mm	Screw	8 pcs
H			Glue	1 pc
I		Ø6x50mm	Screw	6 pcs
J			Plastic wedge	12 pcs
K		Ø3x17mm	Flat-head screw	12 pcs
L		M 4	Hex key	1 pc
M		Ø4x44mm	Screw	8 pcs
N		90x50mm	L shape bracket	2 pcs
O		Ø4x12mm	Screw	4 pcs
P			L shape bracket	4 pcs
Q			Tipping restraint	2 sets
R		3622-L-D11	Fireplace Insert	1 pc





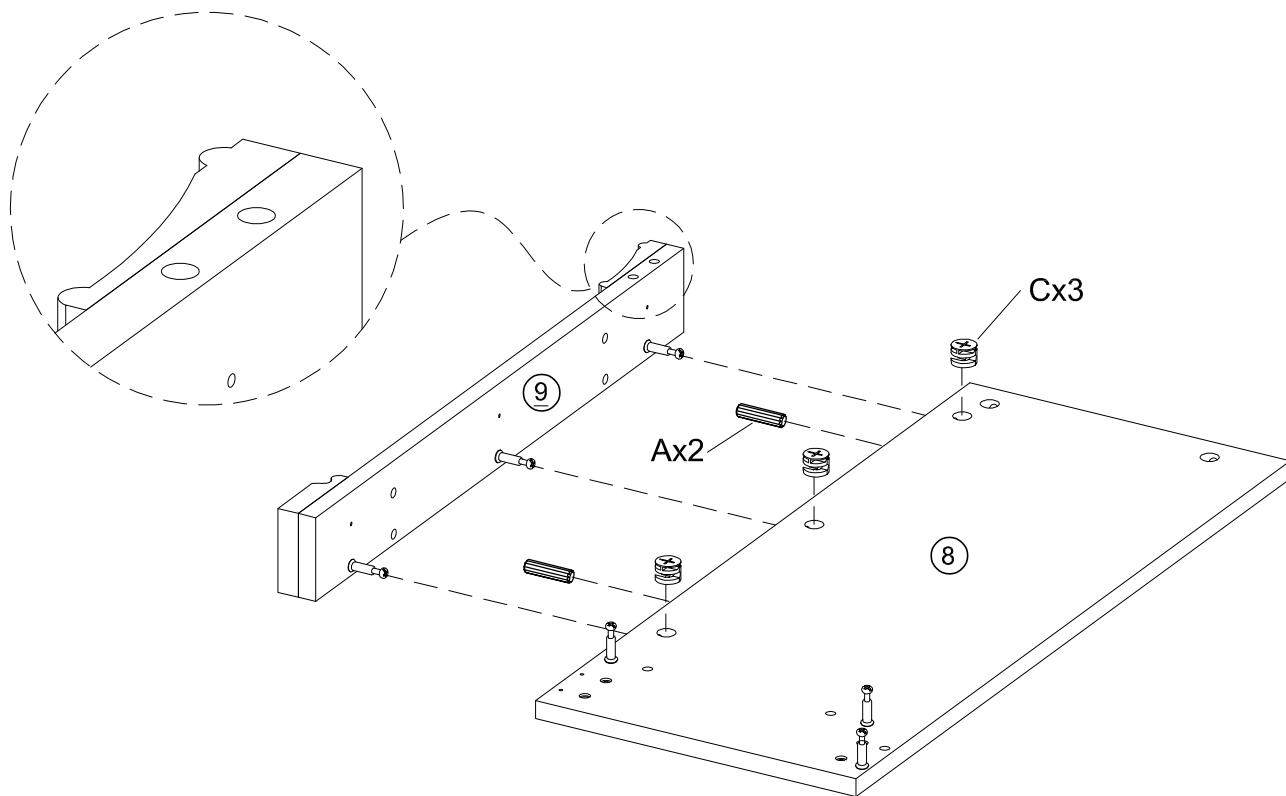
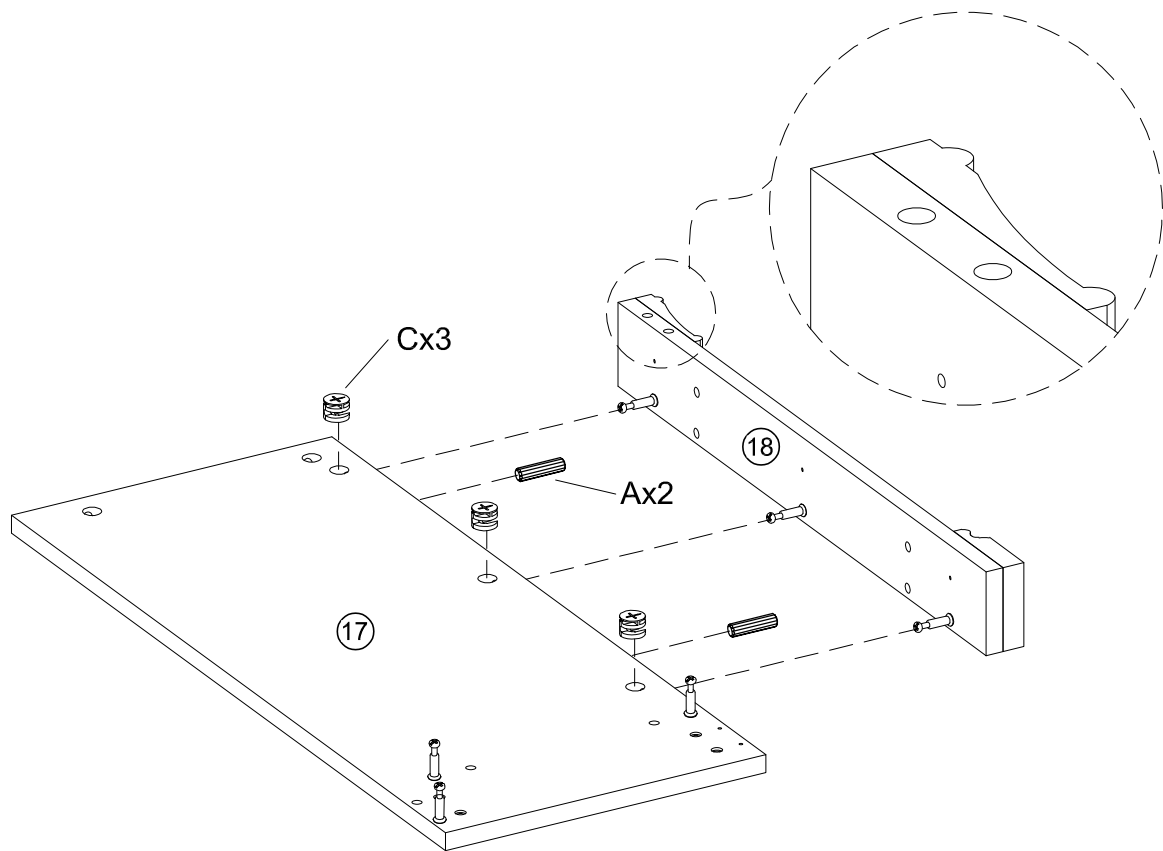
Philips head screwdriver required for assembly
(not included)

STEP 1


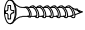



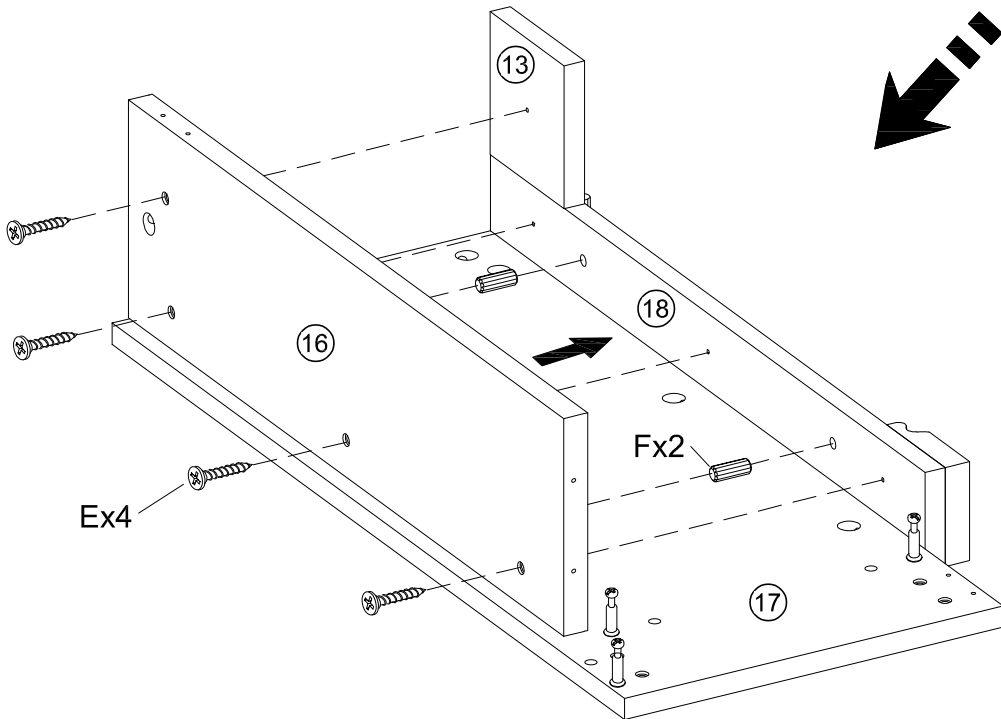
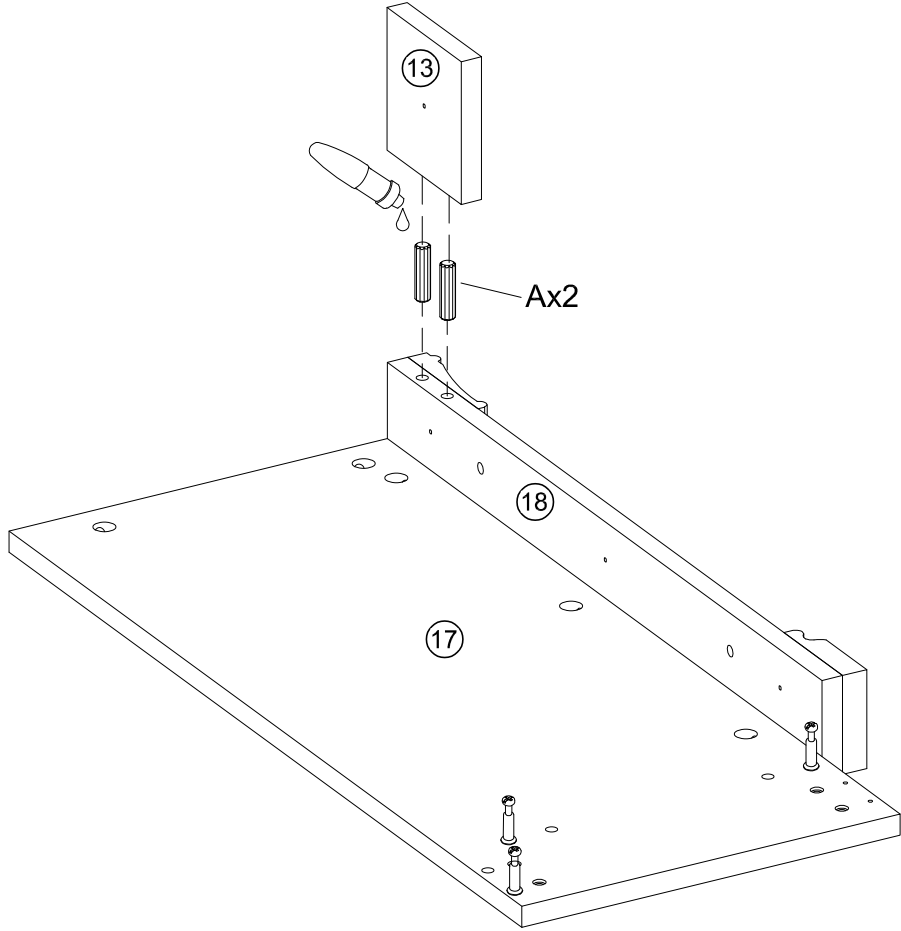
STEP 2

	
Ax4	Cx6


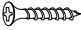



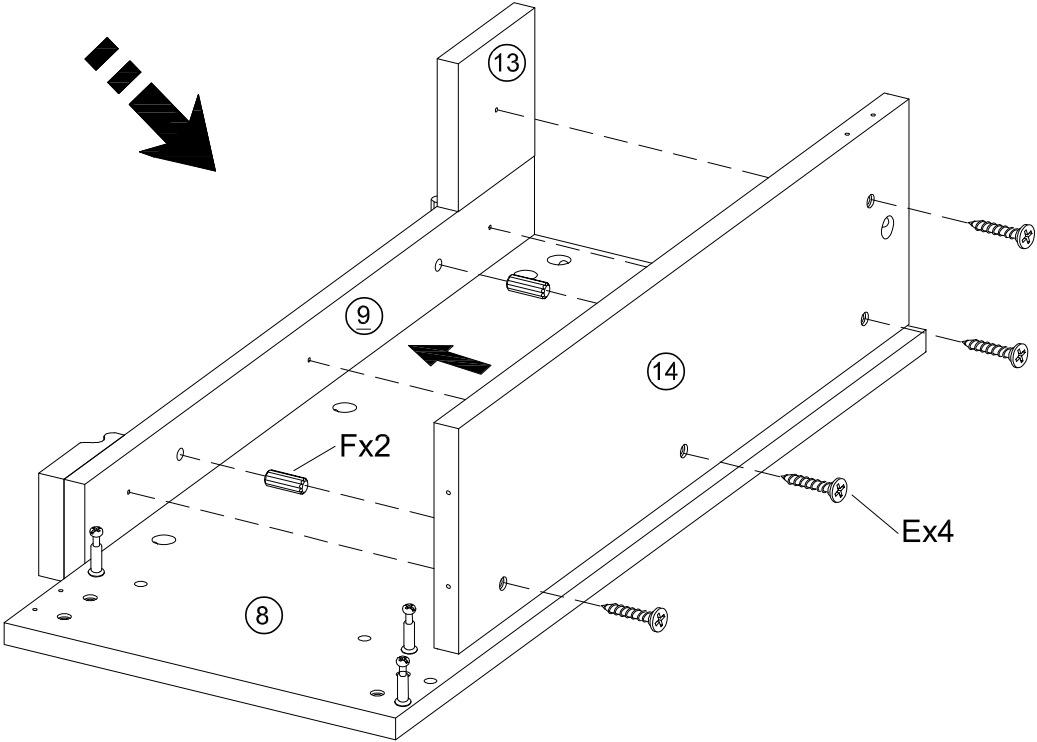
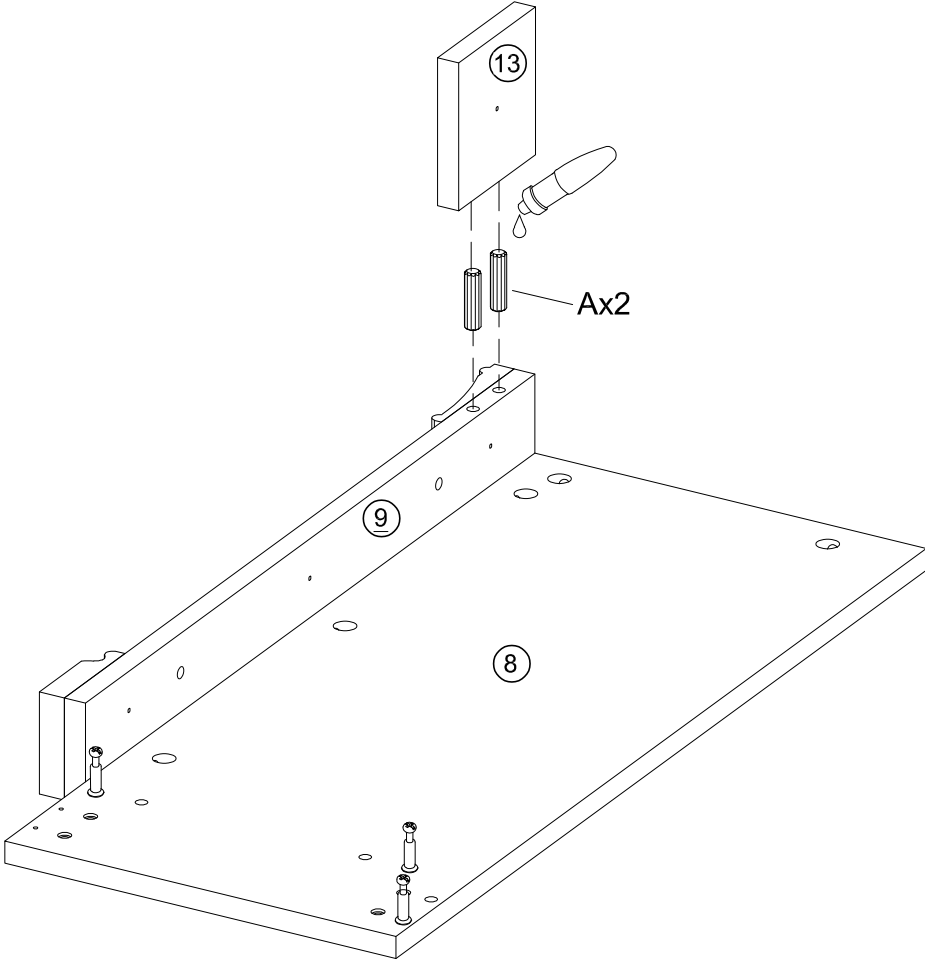
STEP 3

		
Ax2	Ex4	Fx2

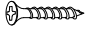



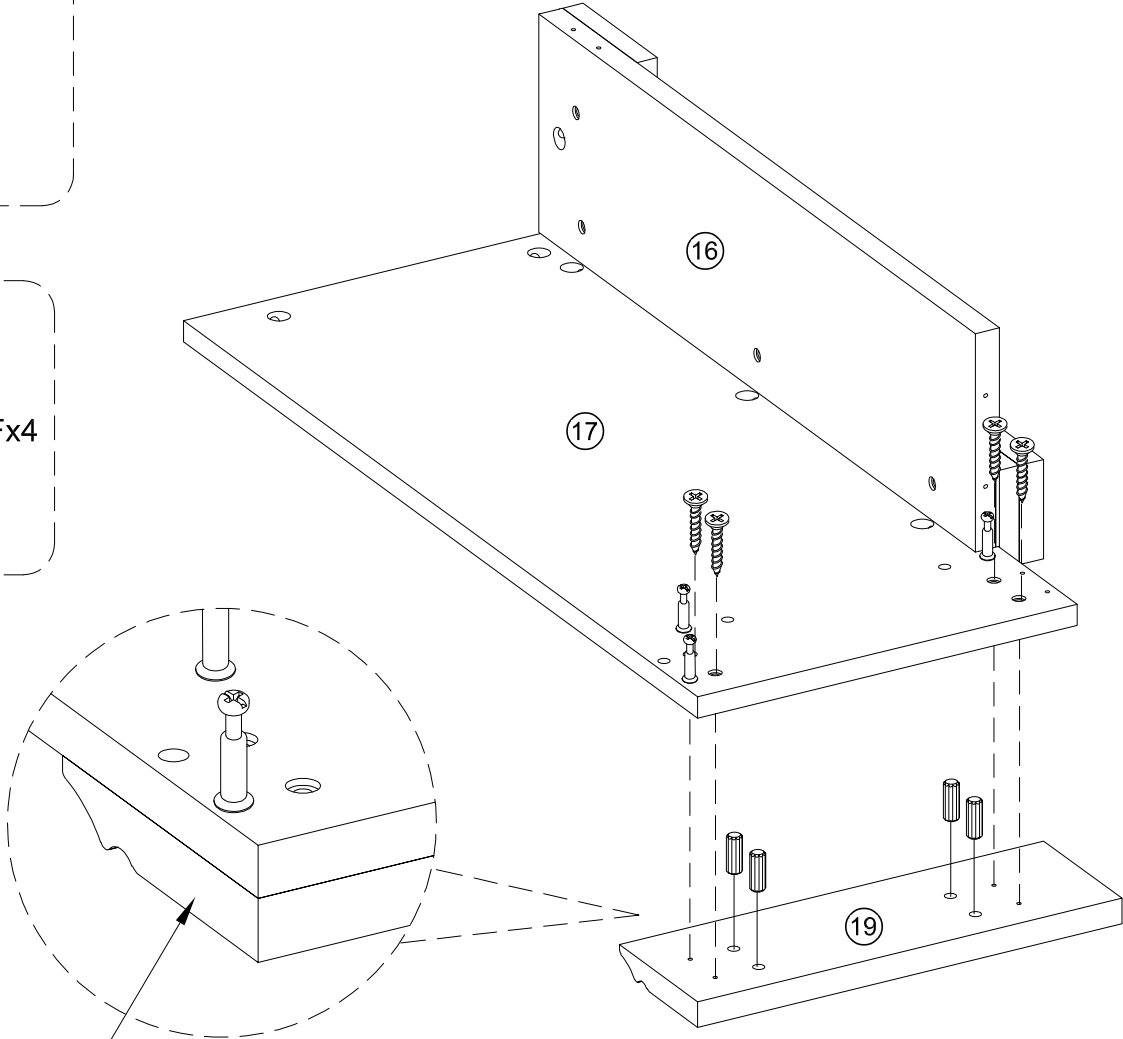
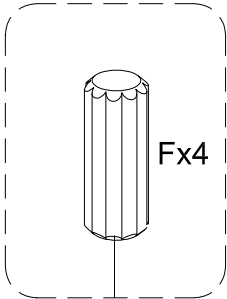
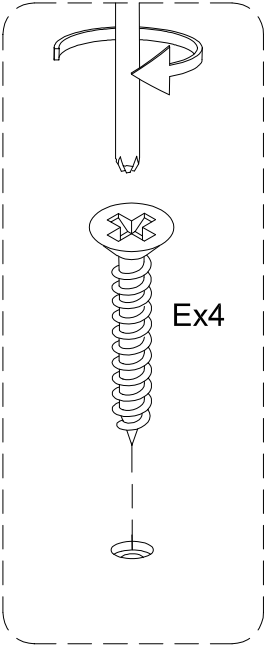
STEP 4

		
Ax2	Ex4	Fx2

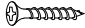



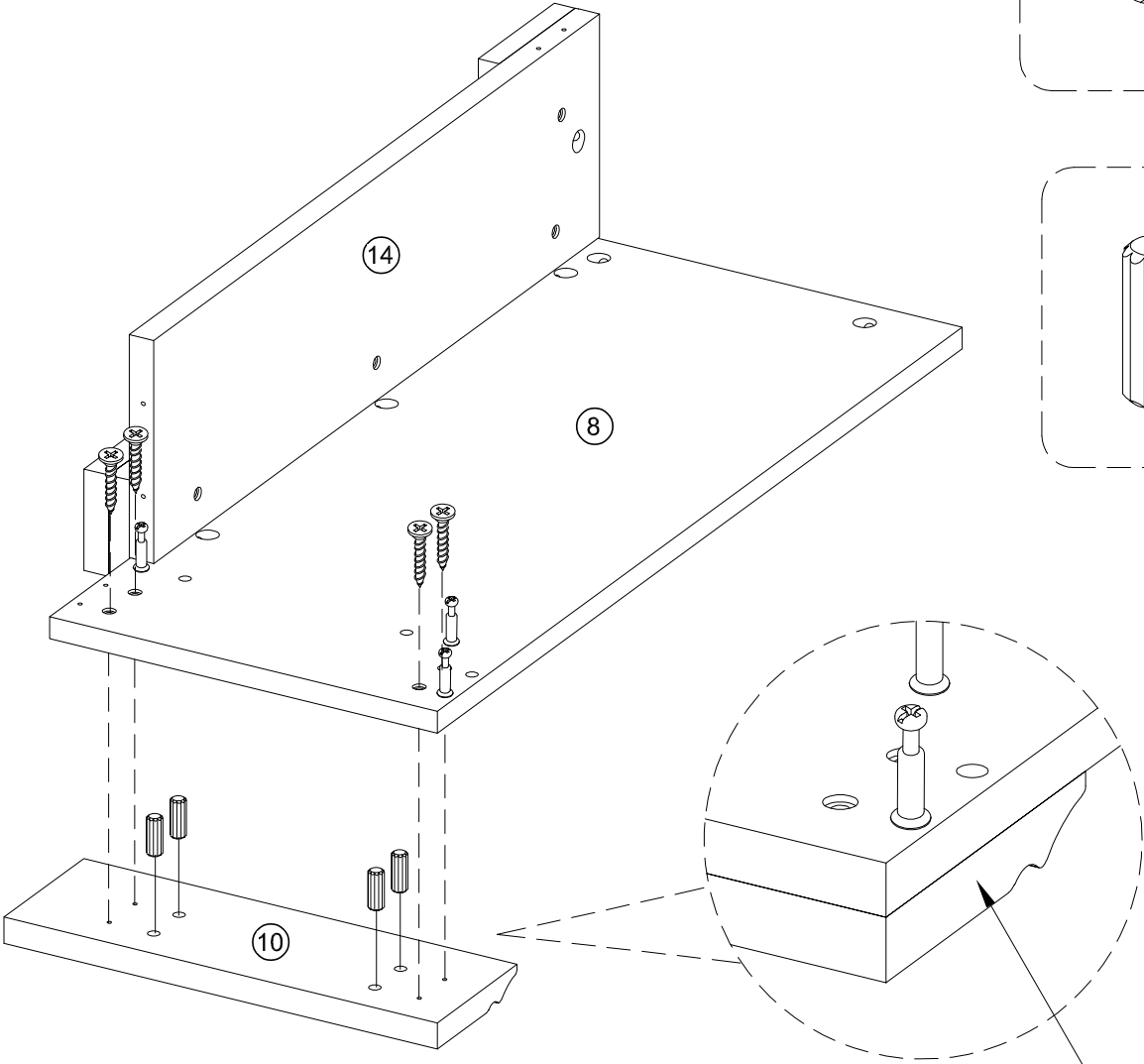
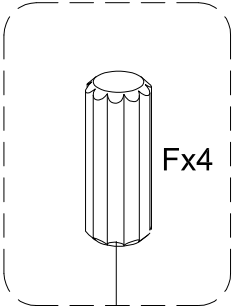
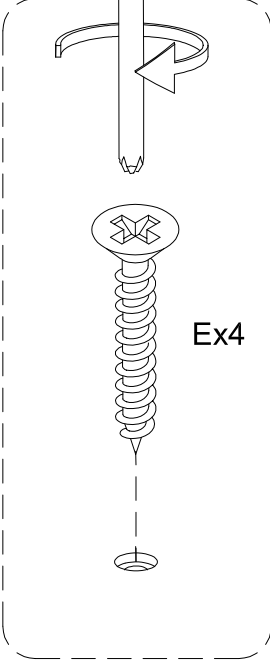
STEP 5

	
Ex4	Fx4



STEP 6

	
Ex4	Fx4



Finished edge

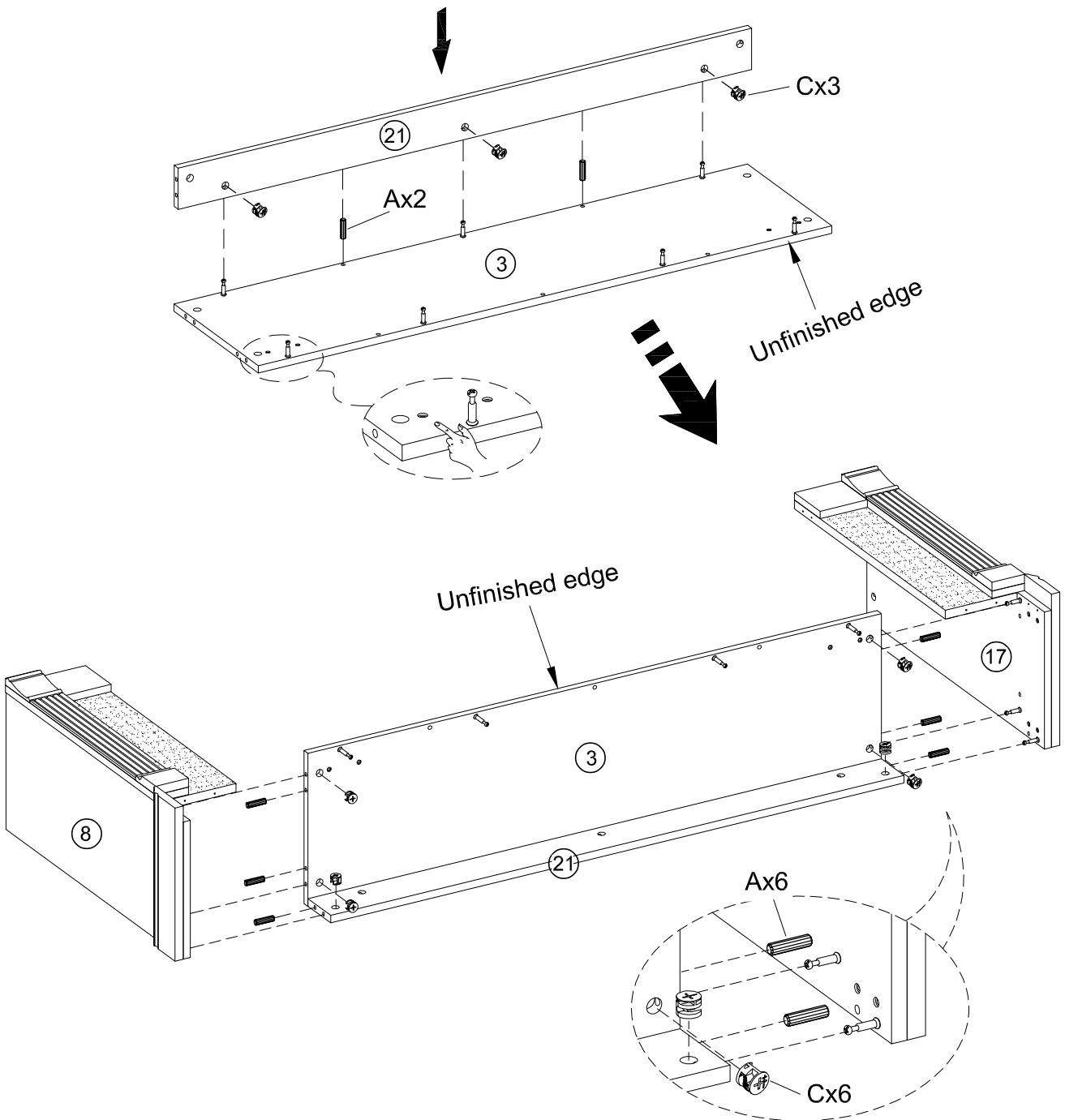
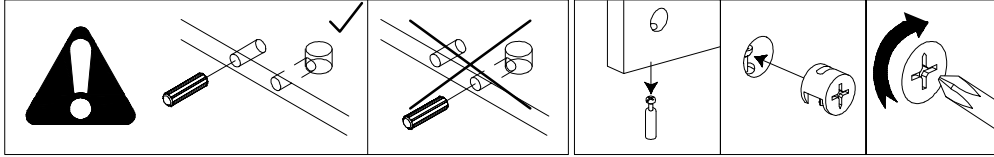
STEP 7



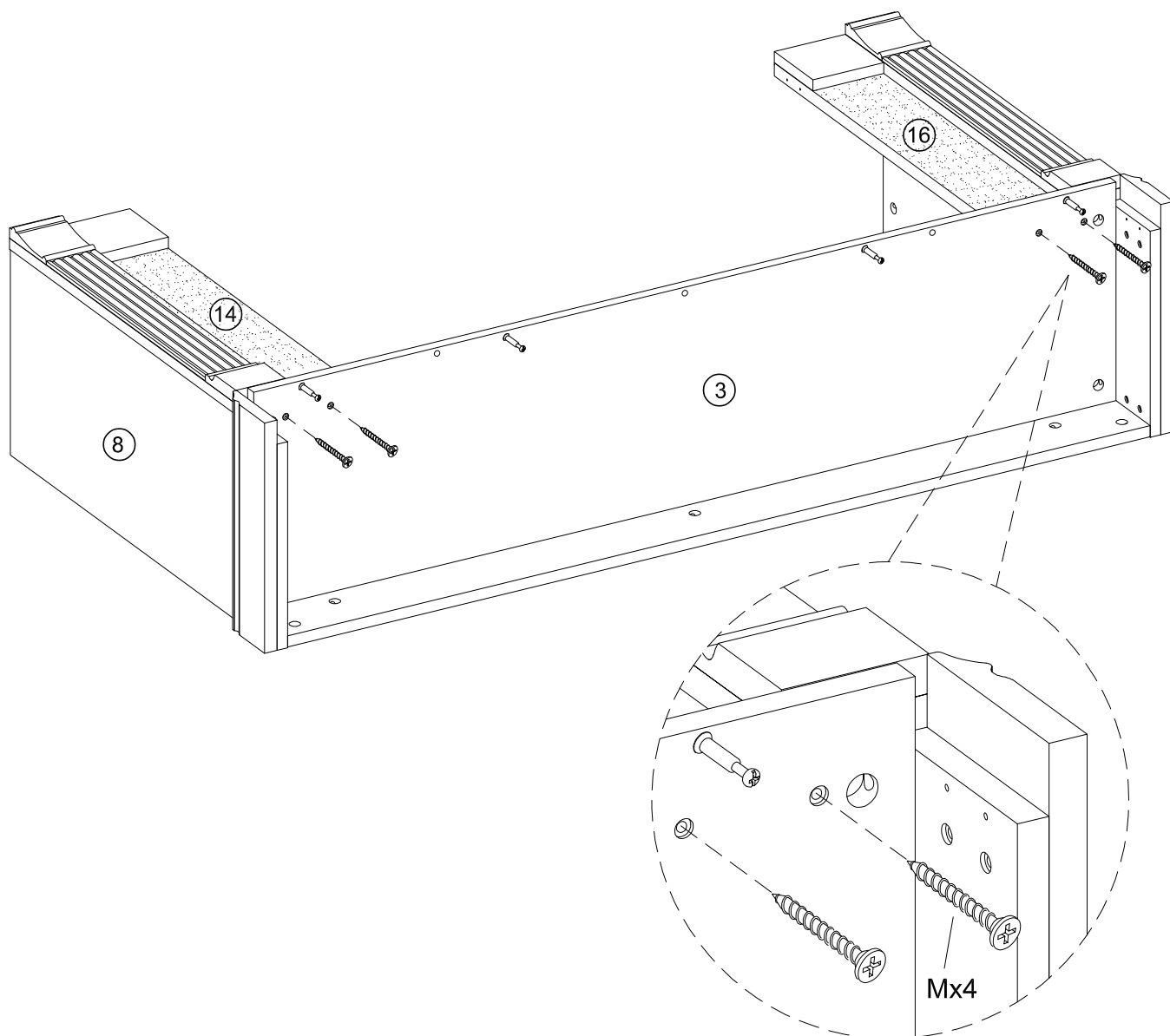
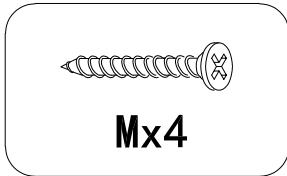
Ax8



Cx9



STEP 8



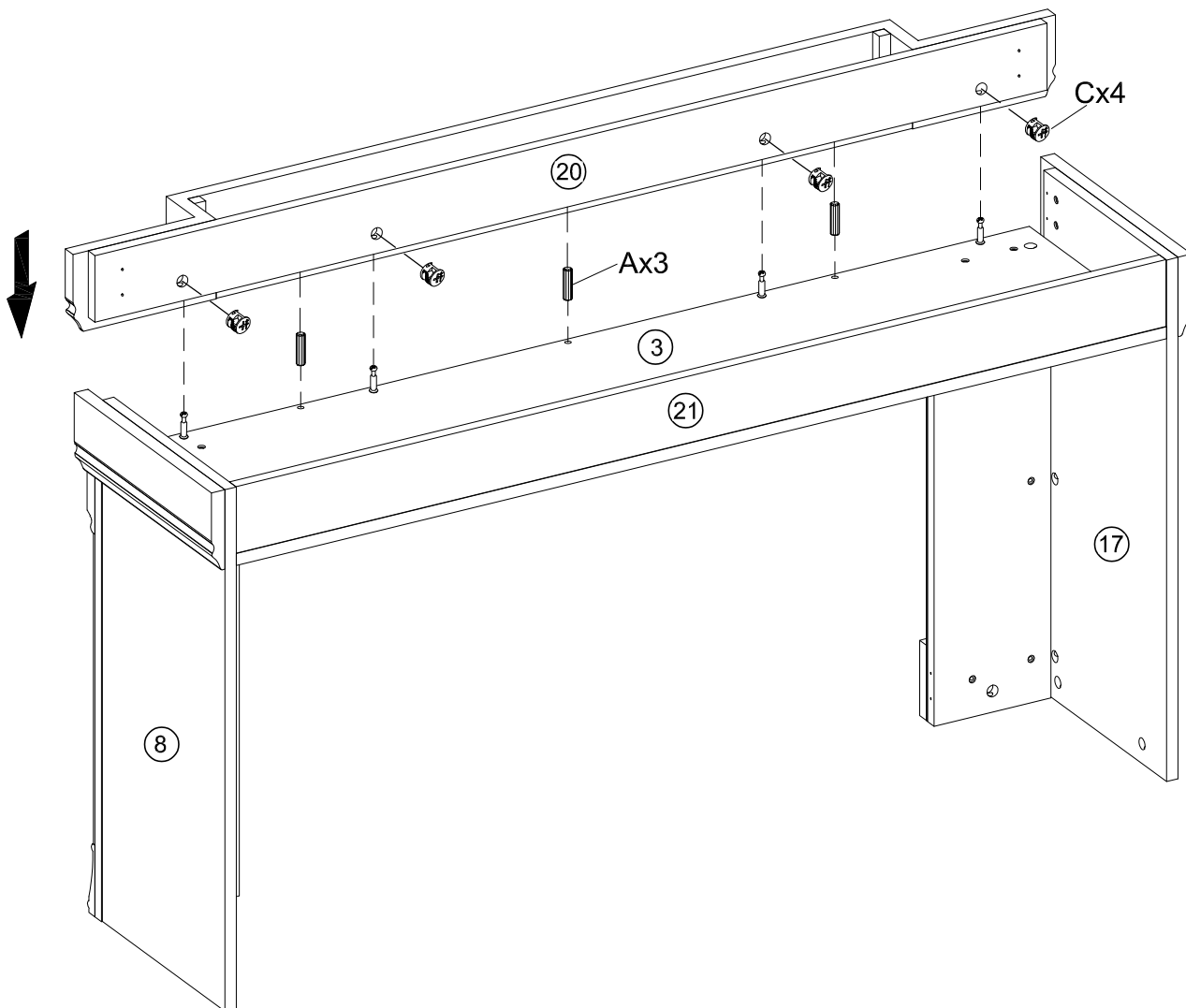
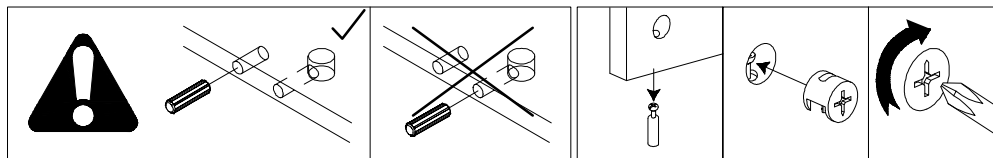
STEP 9



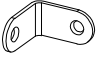
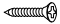
Ax3

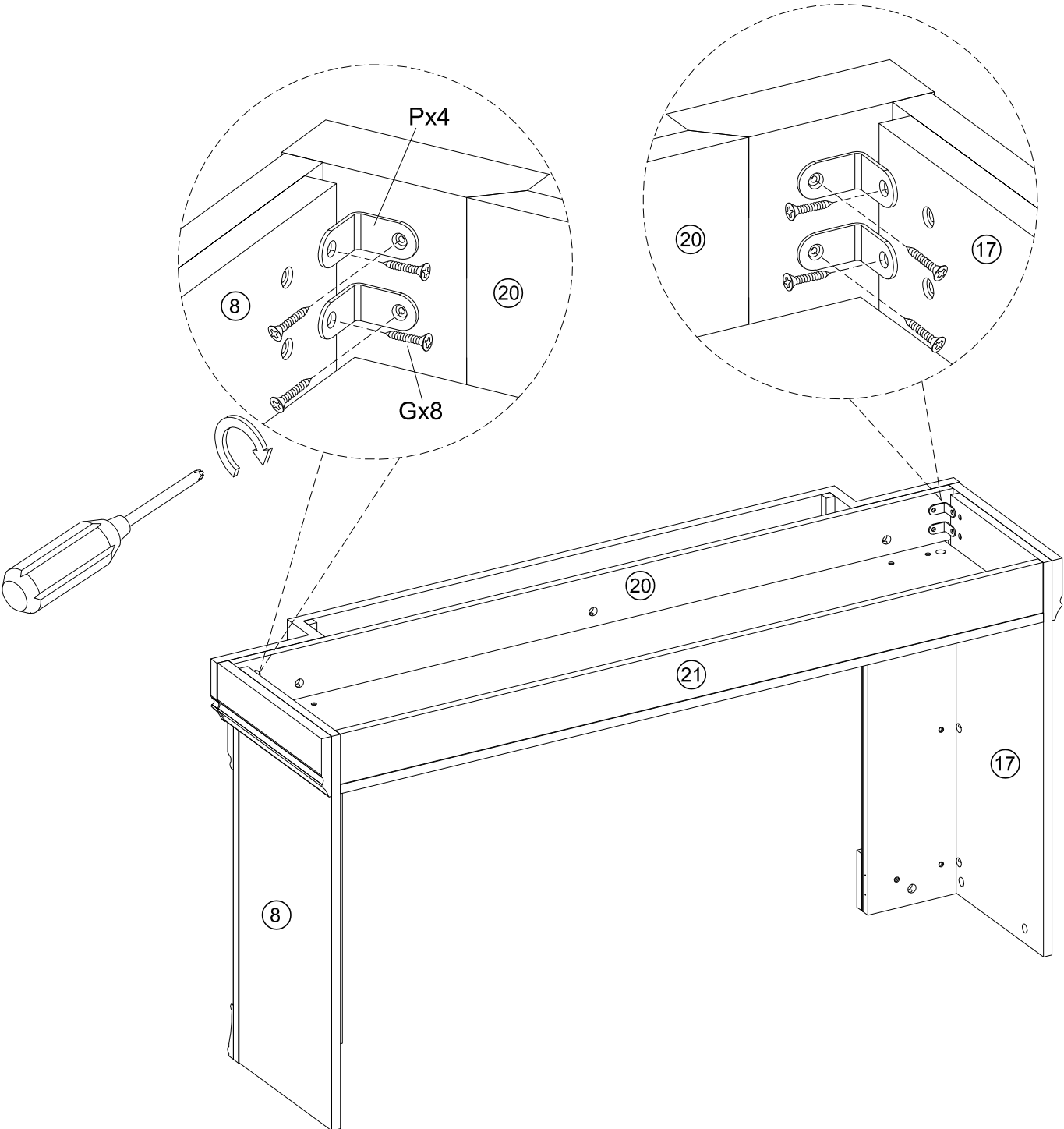


Cx4

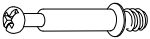



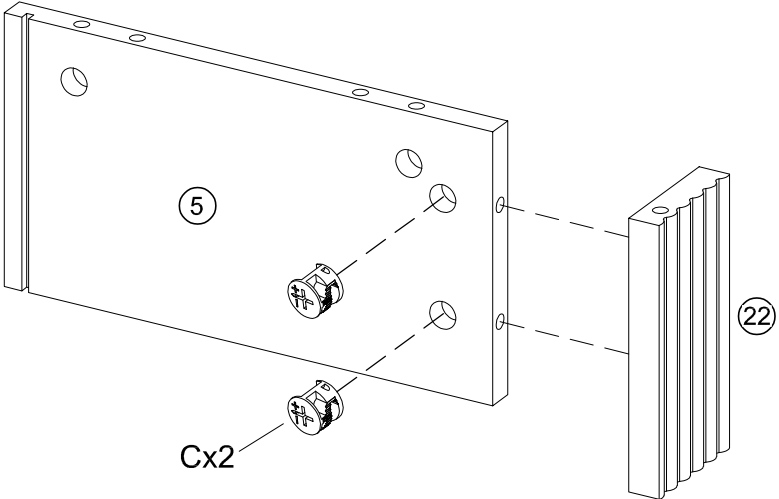
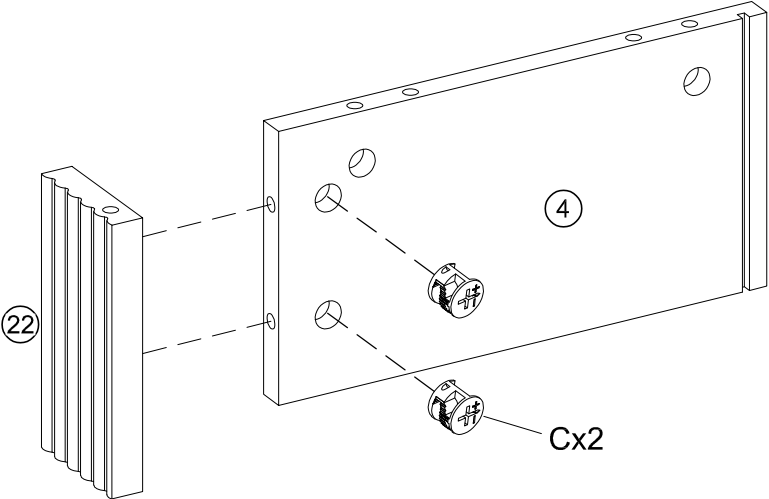
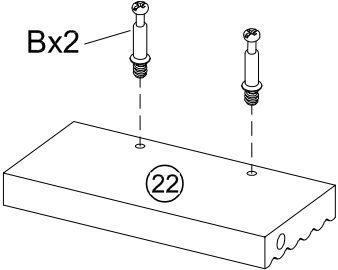
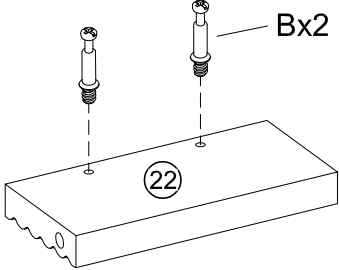
STEP 10

	
Px4	Gx8



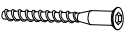



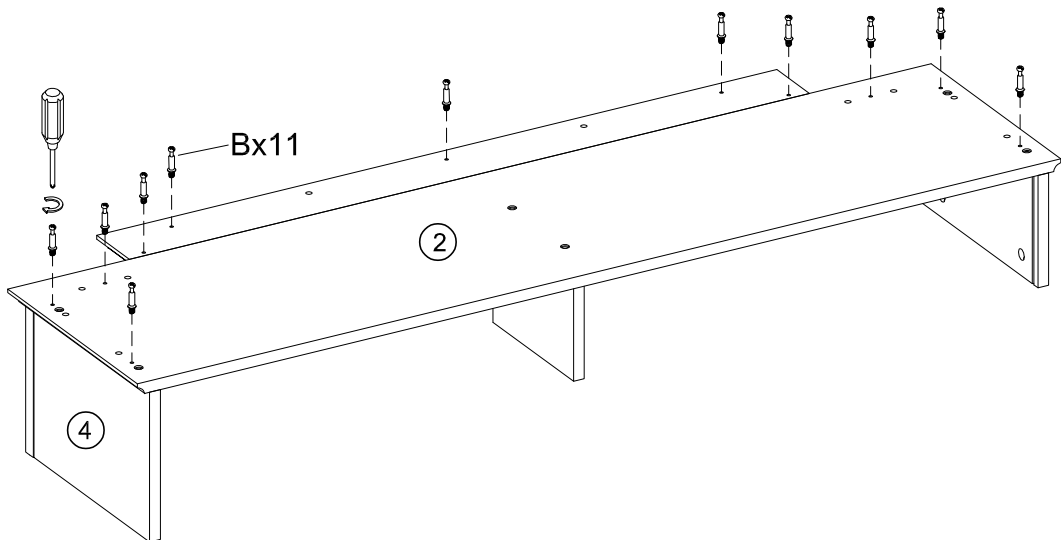
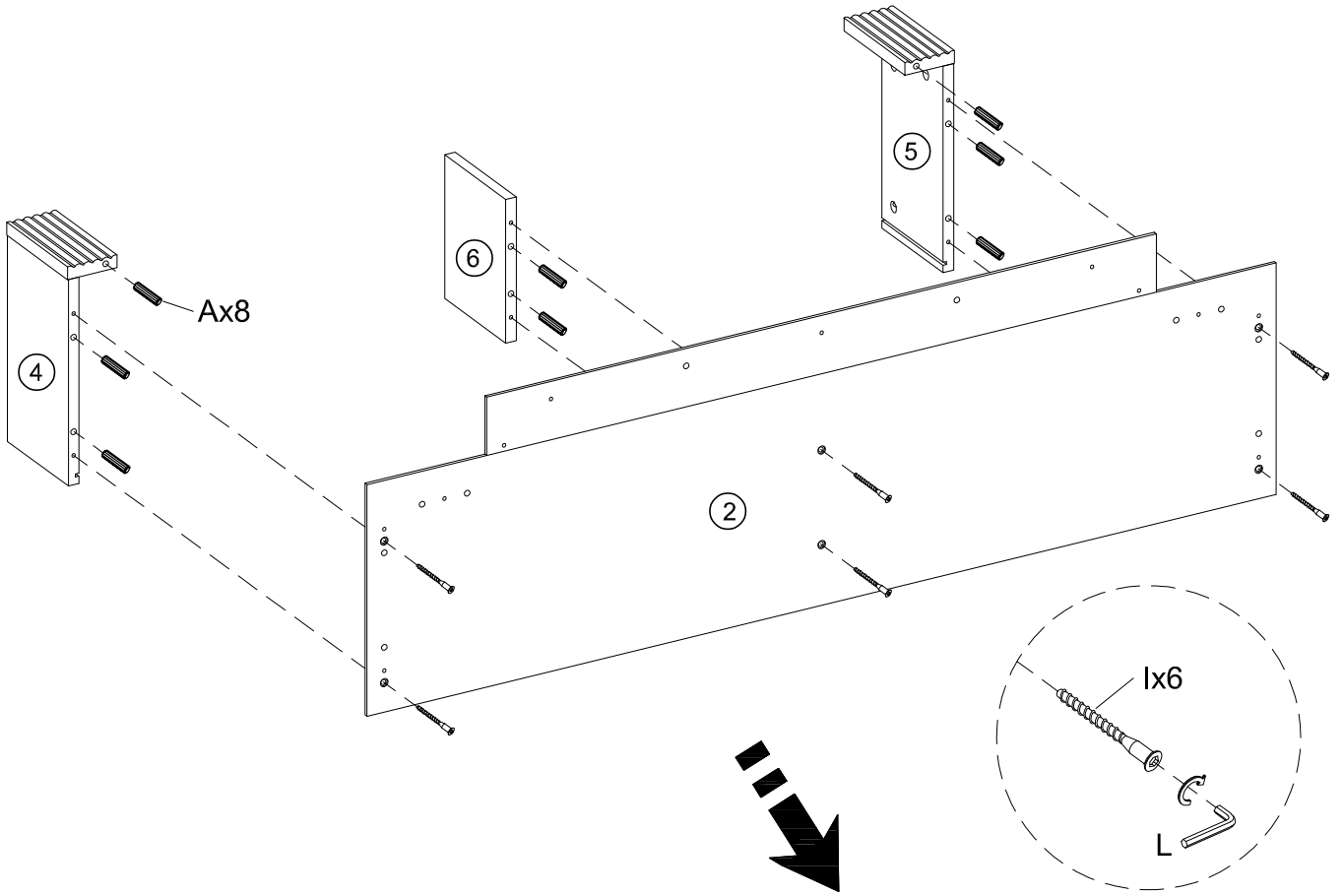
STEP 11

 **Bx4**  **Cx4**





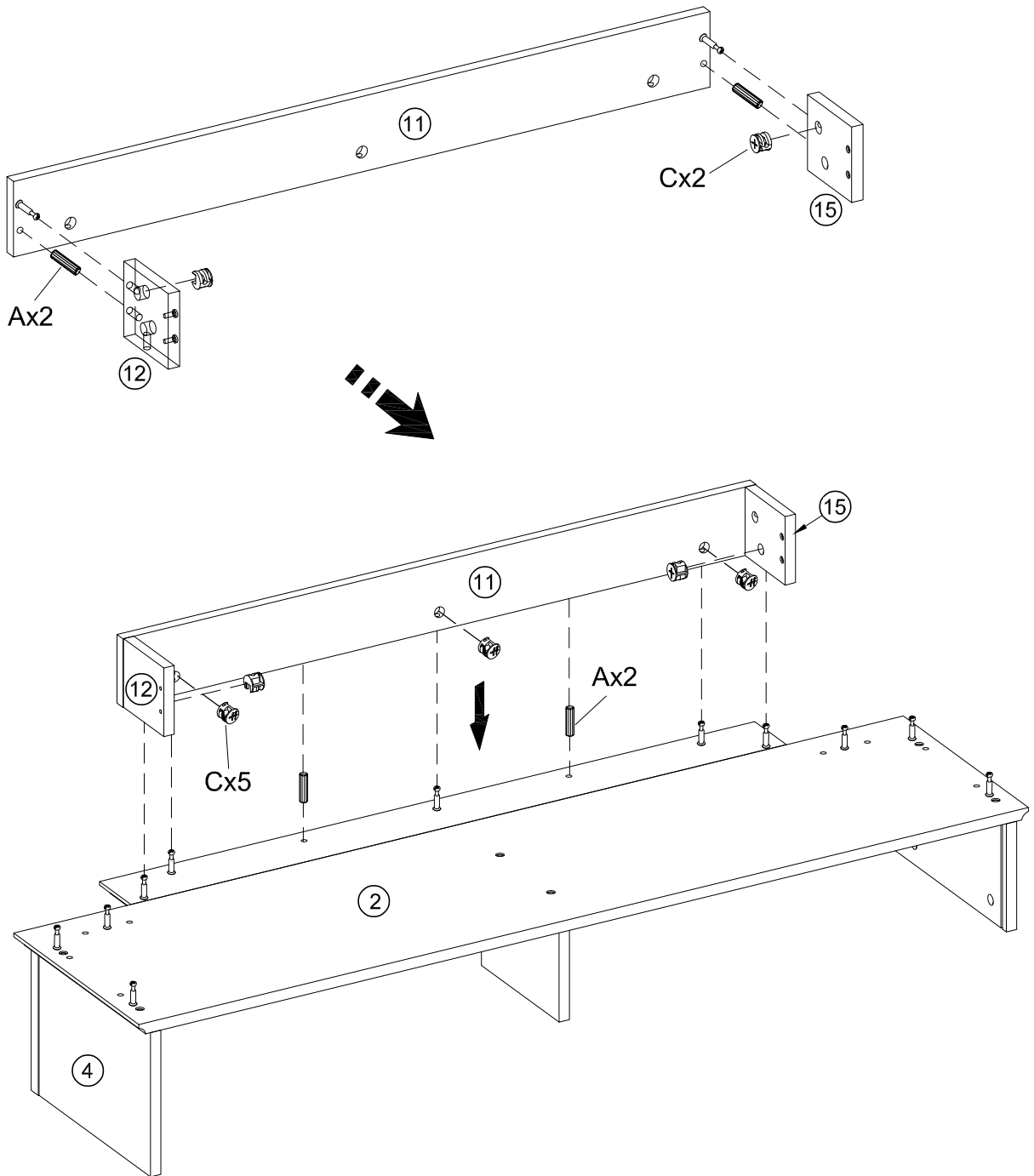
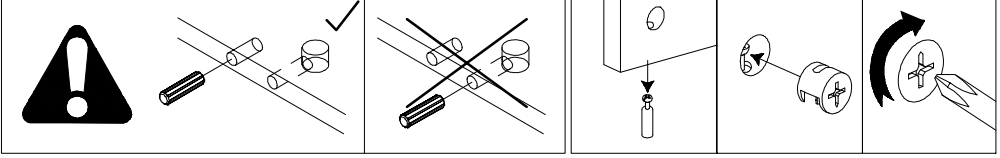
STEP 12

			
Bx11	Ax8	Ix6	Lx1



STEP 13

 **Ax4**  **Cx7**



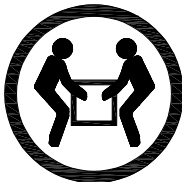
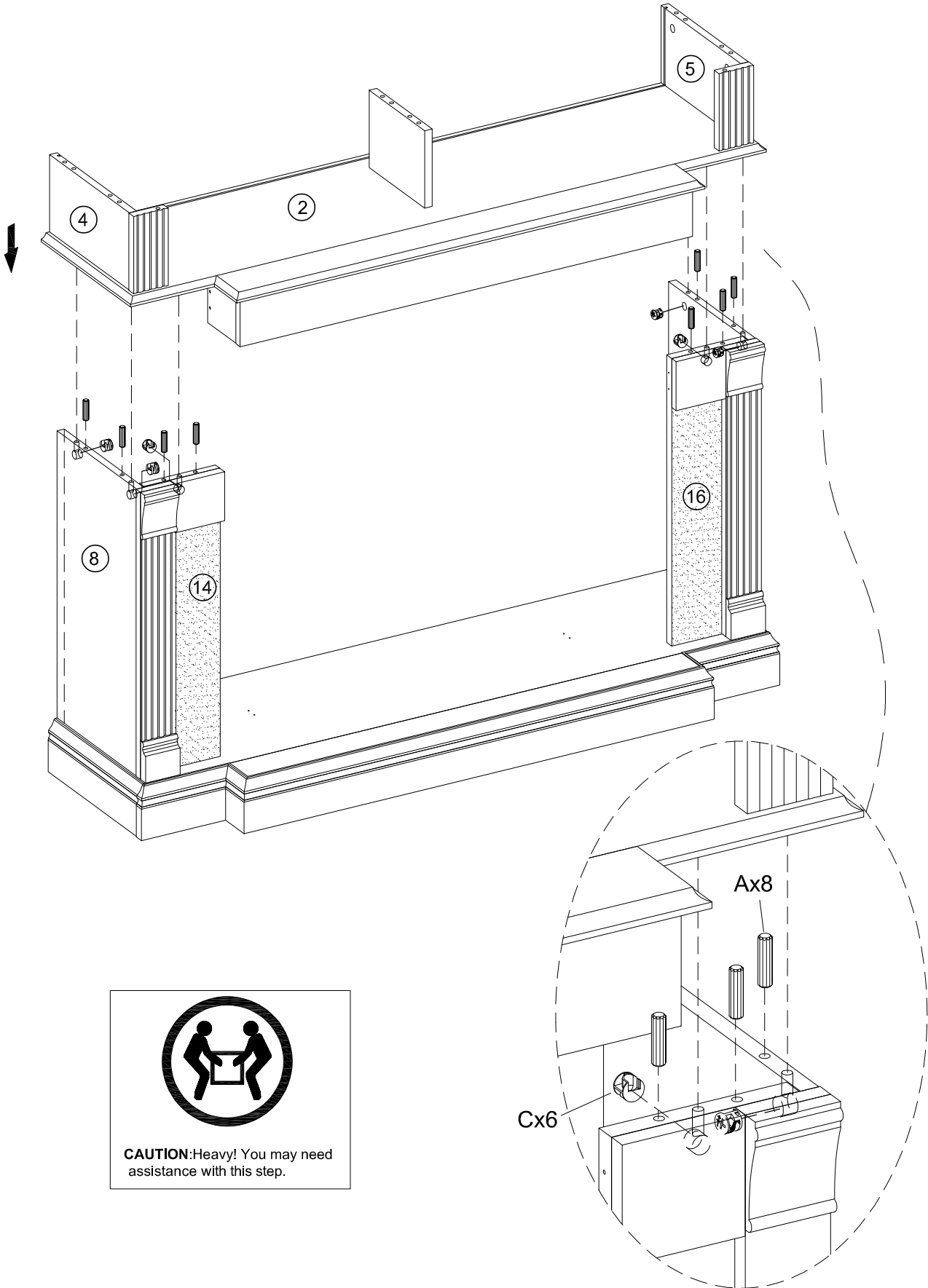
STEP 14



Ax8

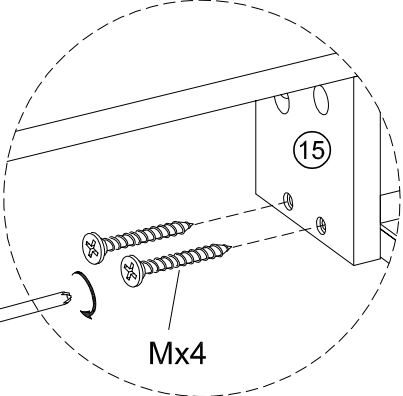
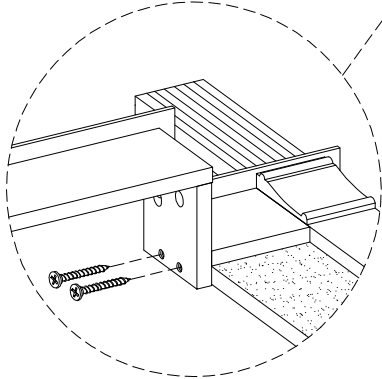
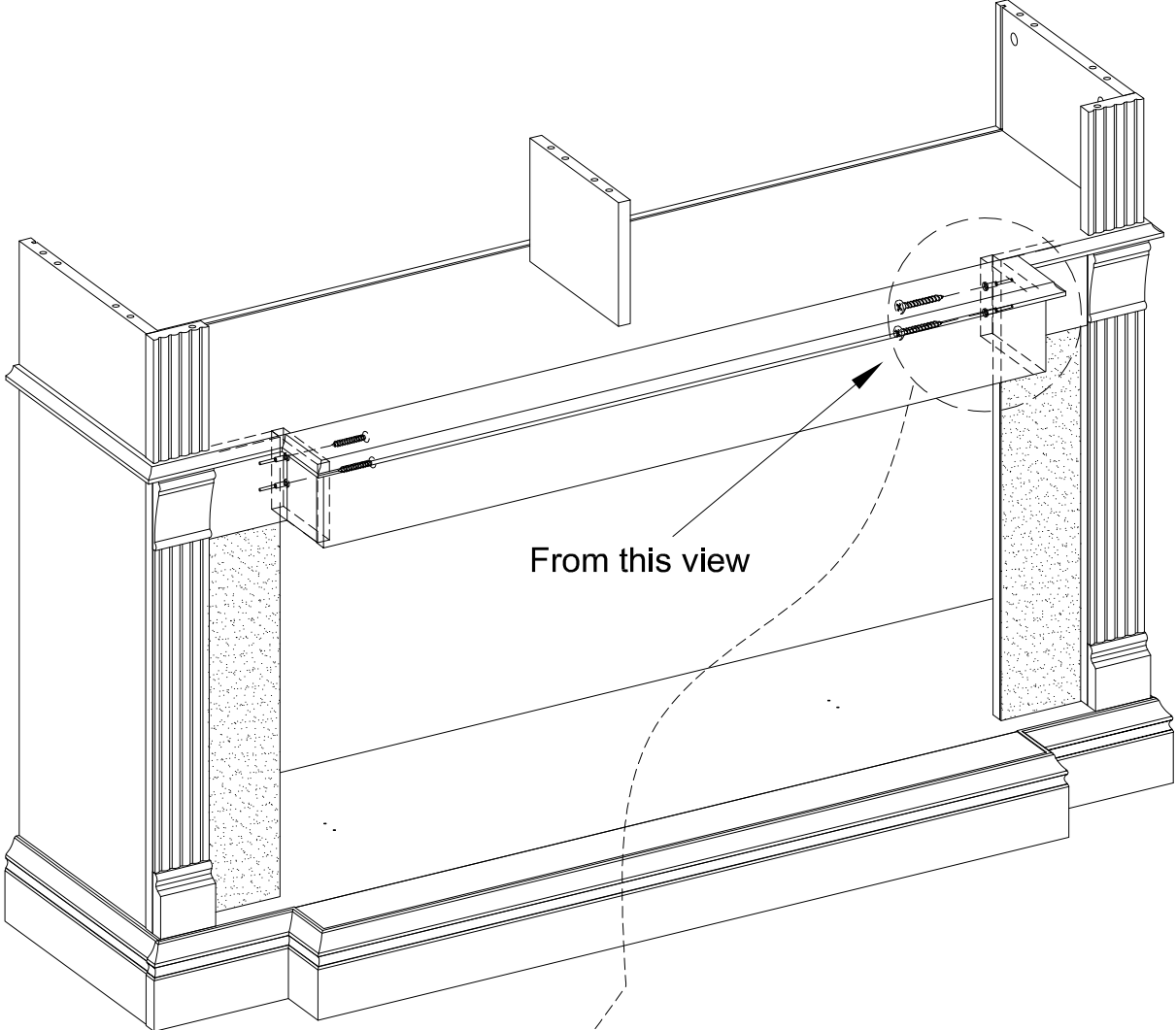
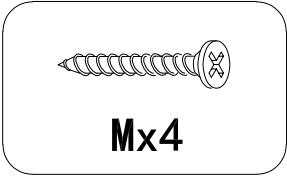


Cx6

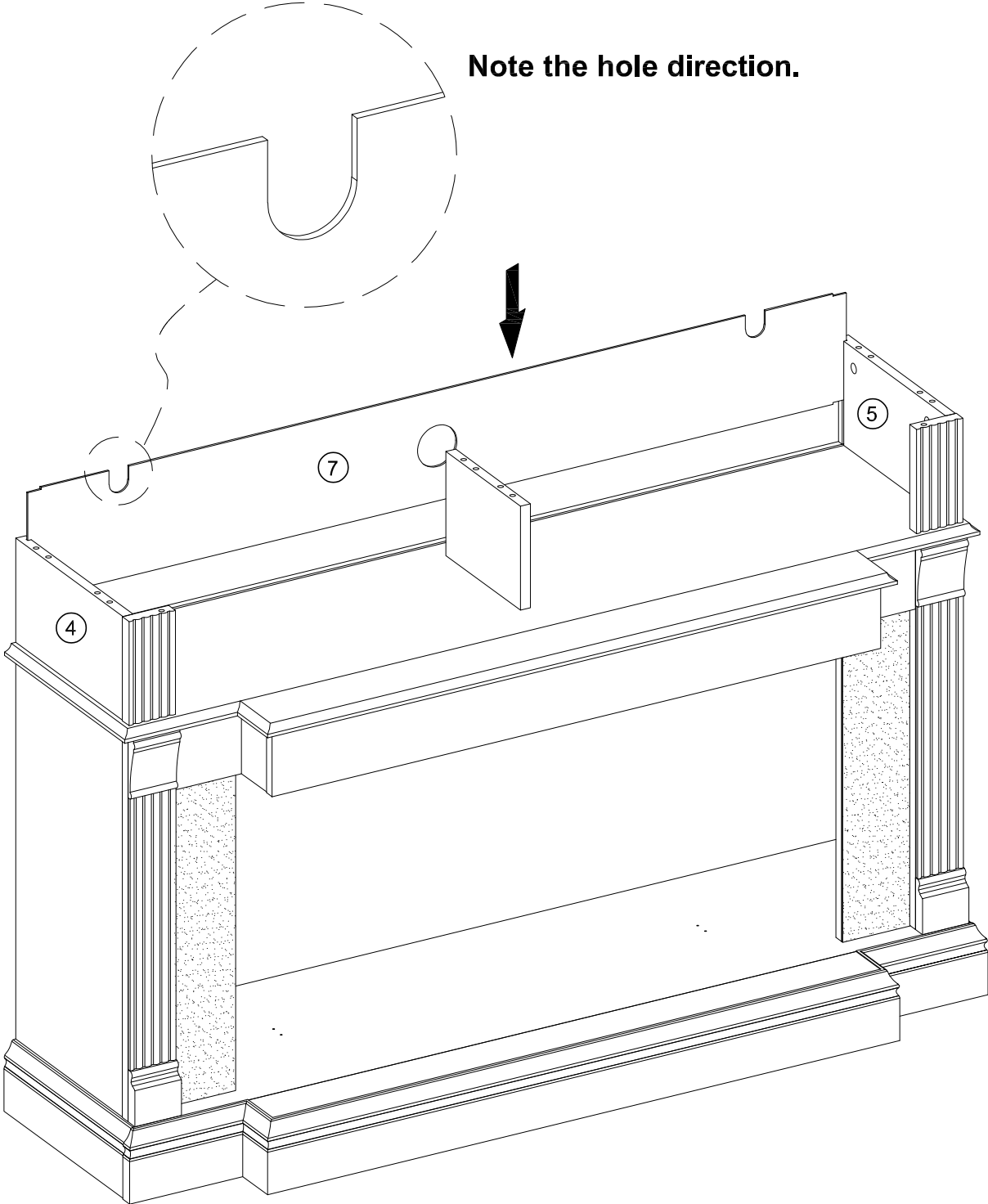


CAUTION: Heavy! You may need assistance with this step.

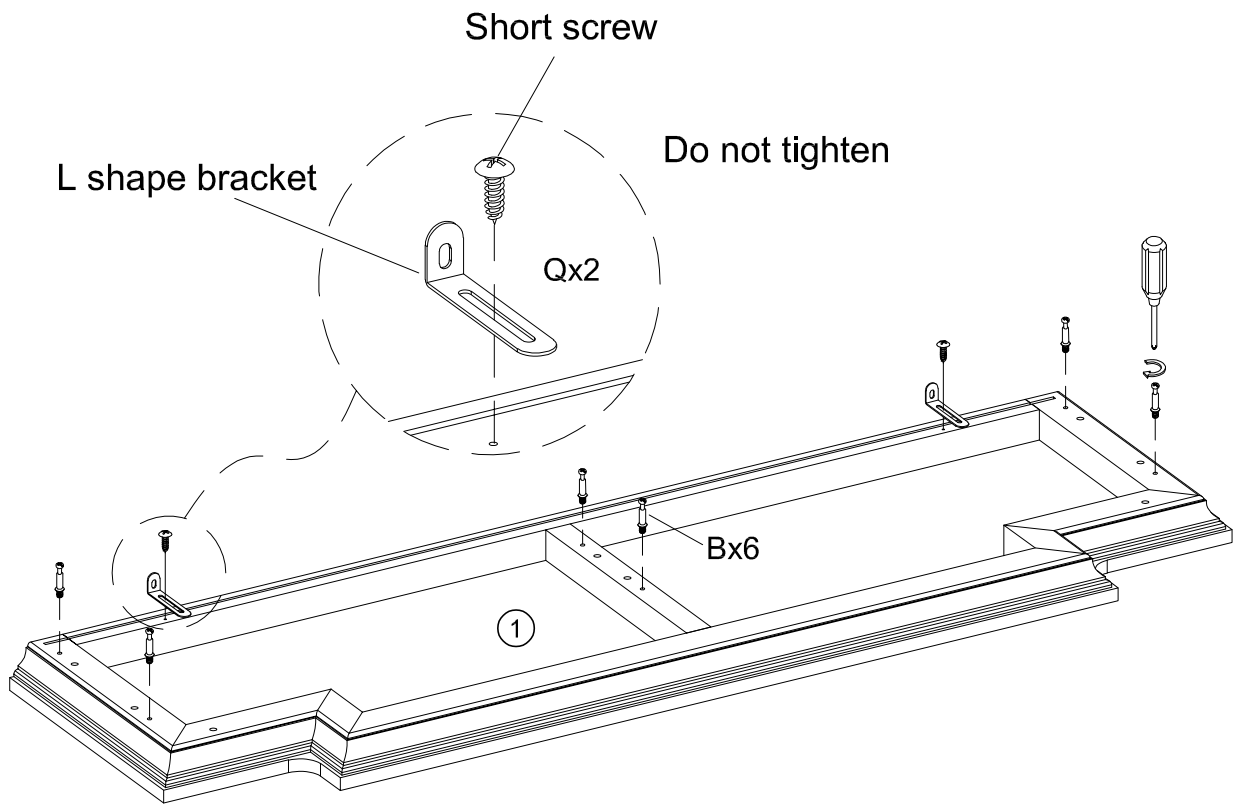
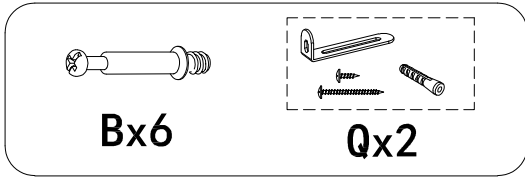
STEP 15



STEP 16



STEP 17



STEP 18



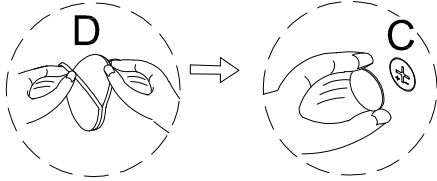
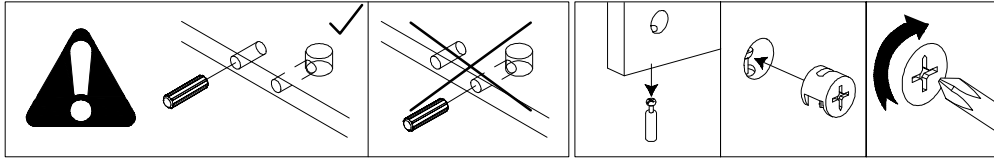
Ax8



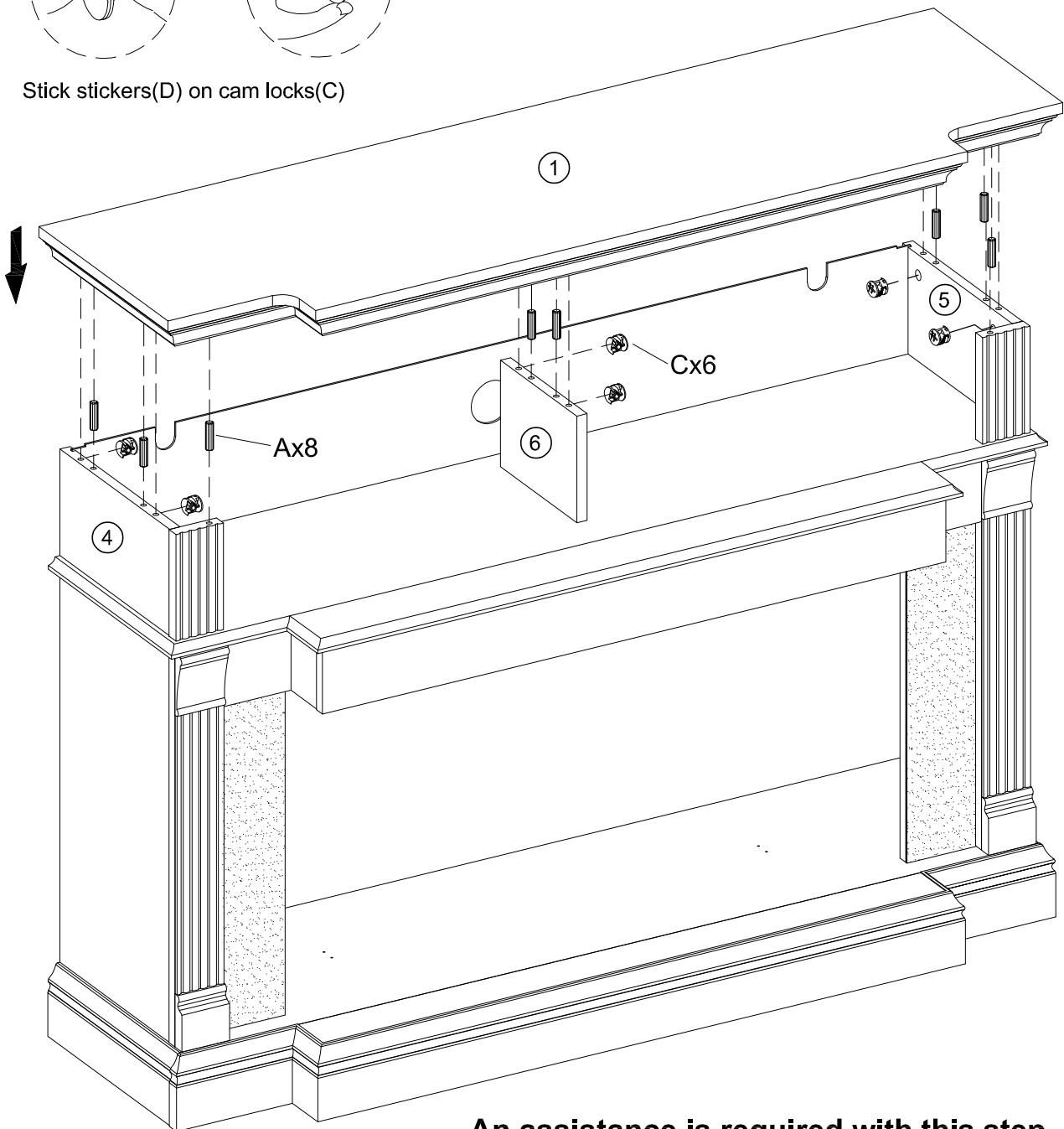
Cx6



Dx42



Stick stickers(D) on cam locks(C)



An assistance is required with this step.

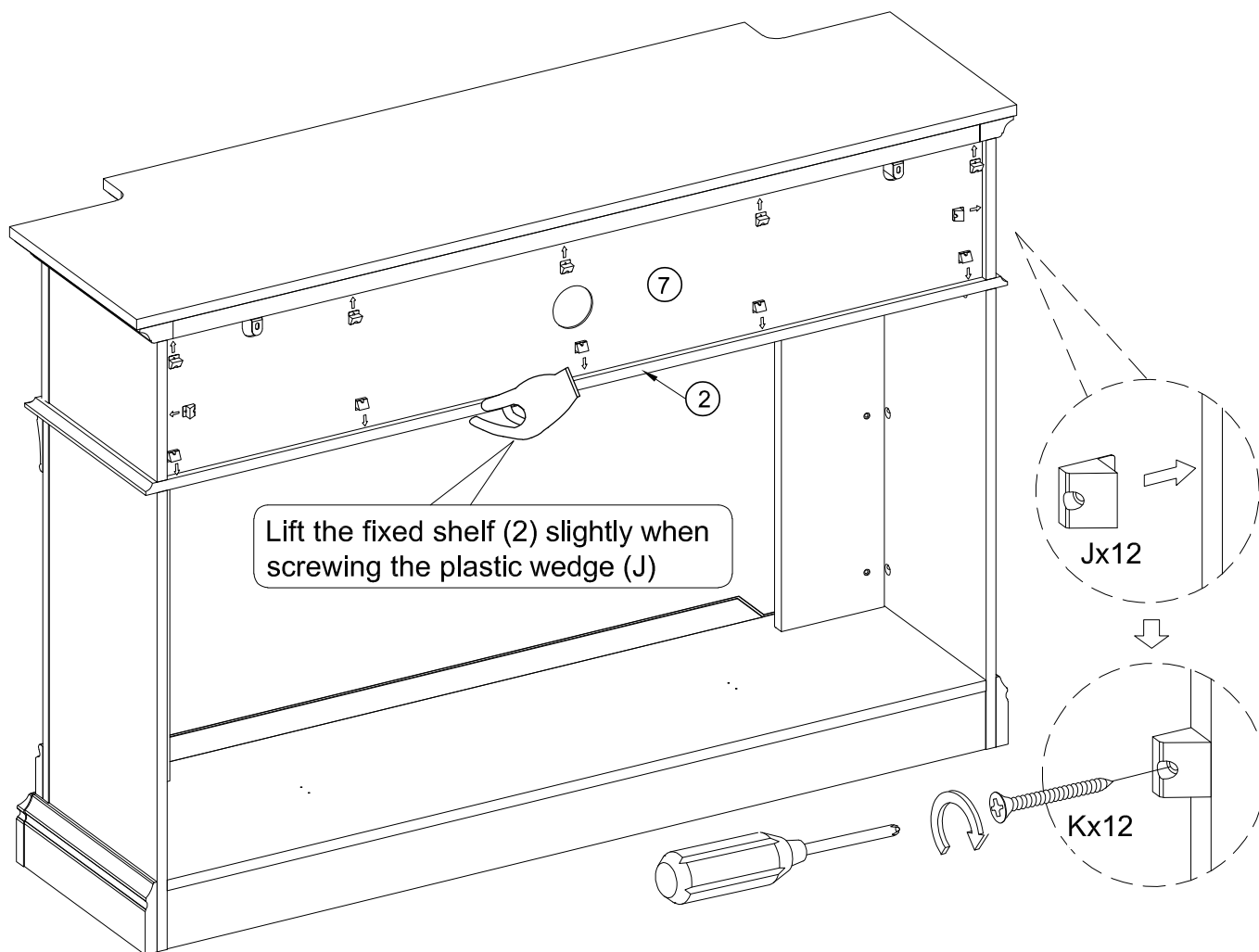
STEP 19



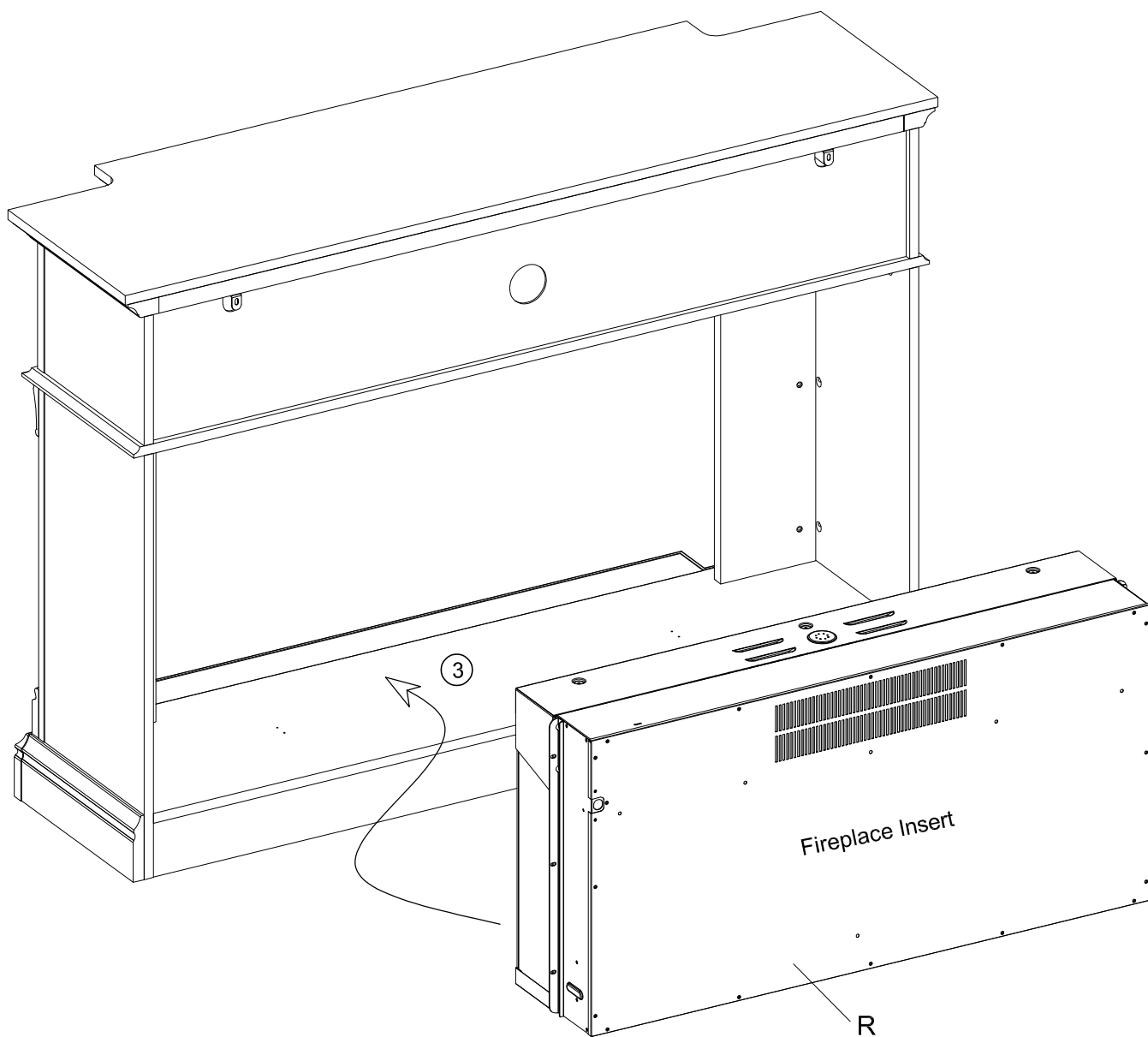
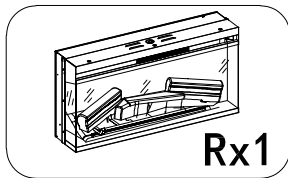
Jx12



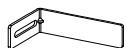
Kx12



STEP 20



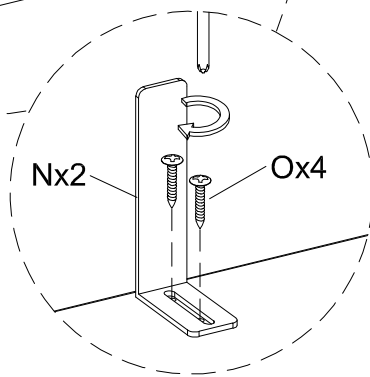
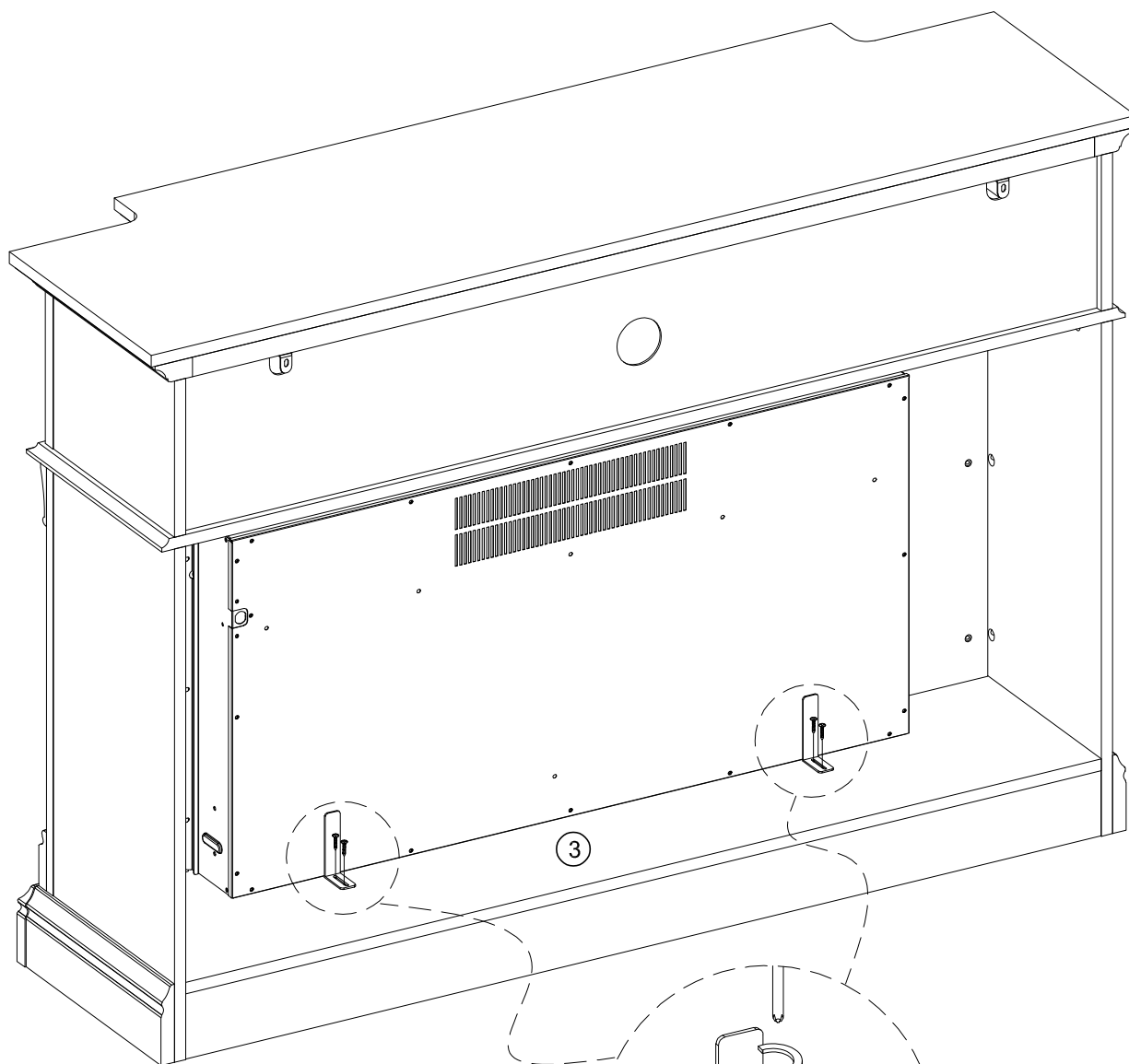
STEP 21



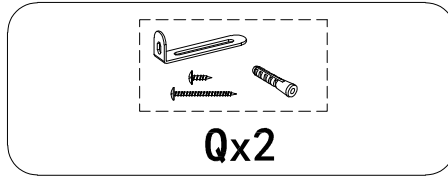
Nx2



Ox4

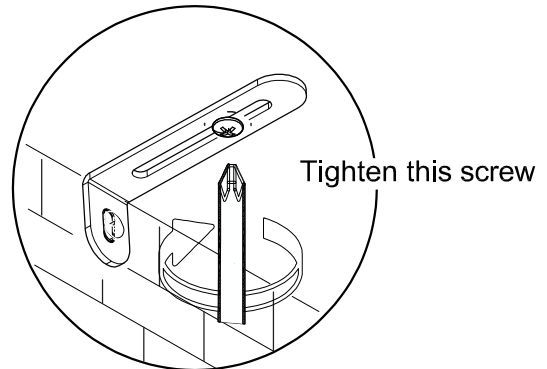
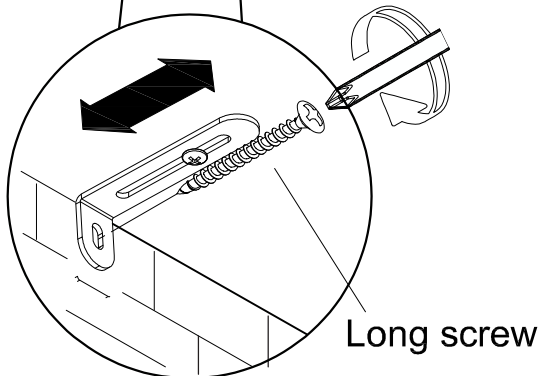
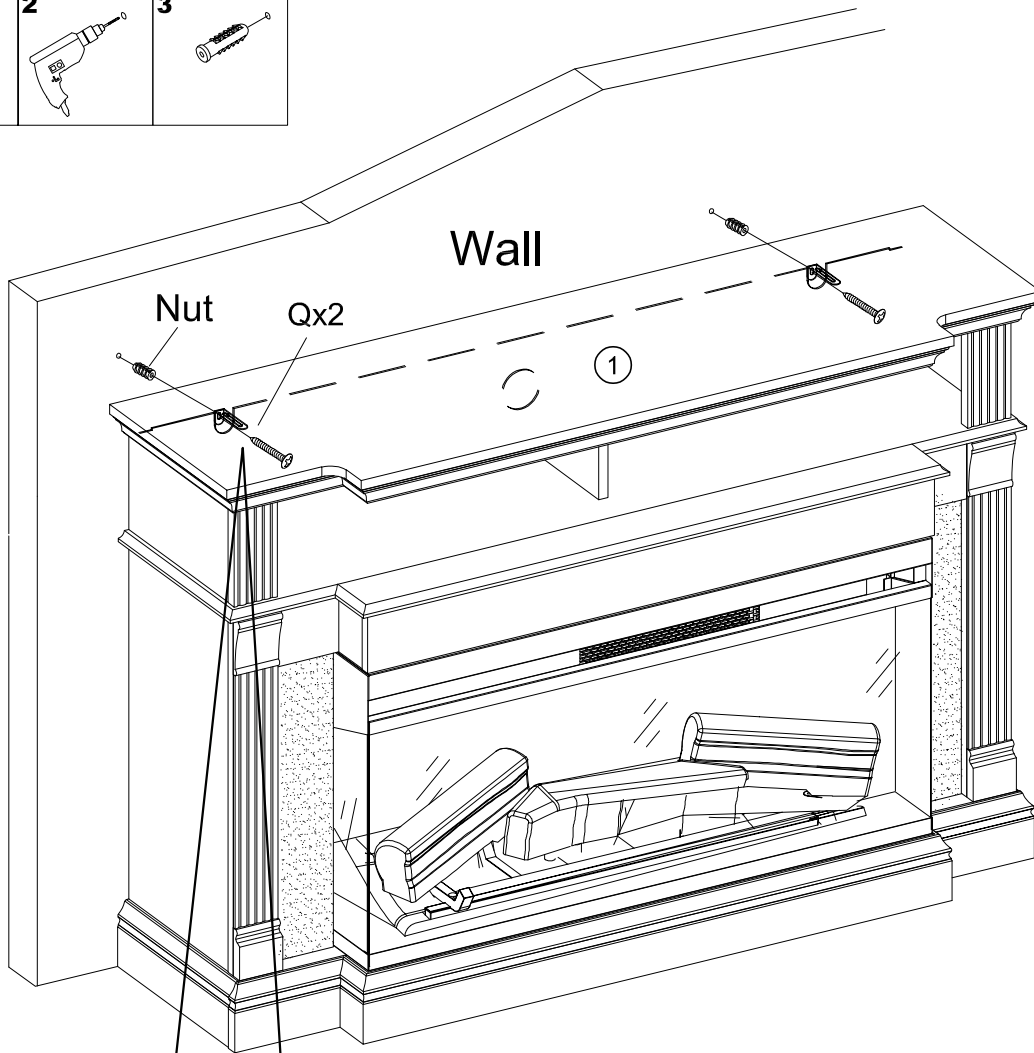
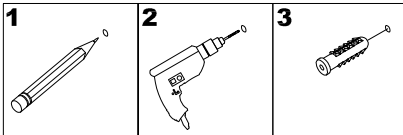


STEP 22

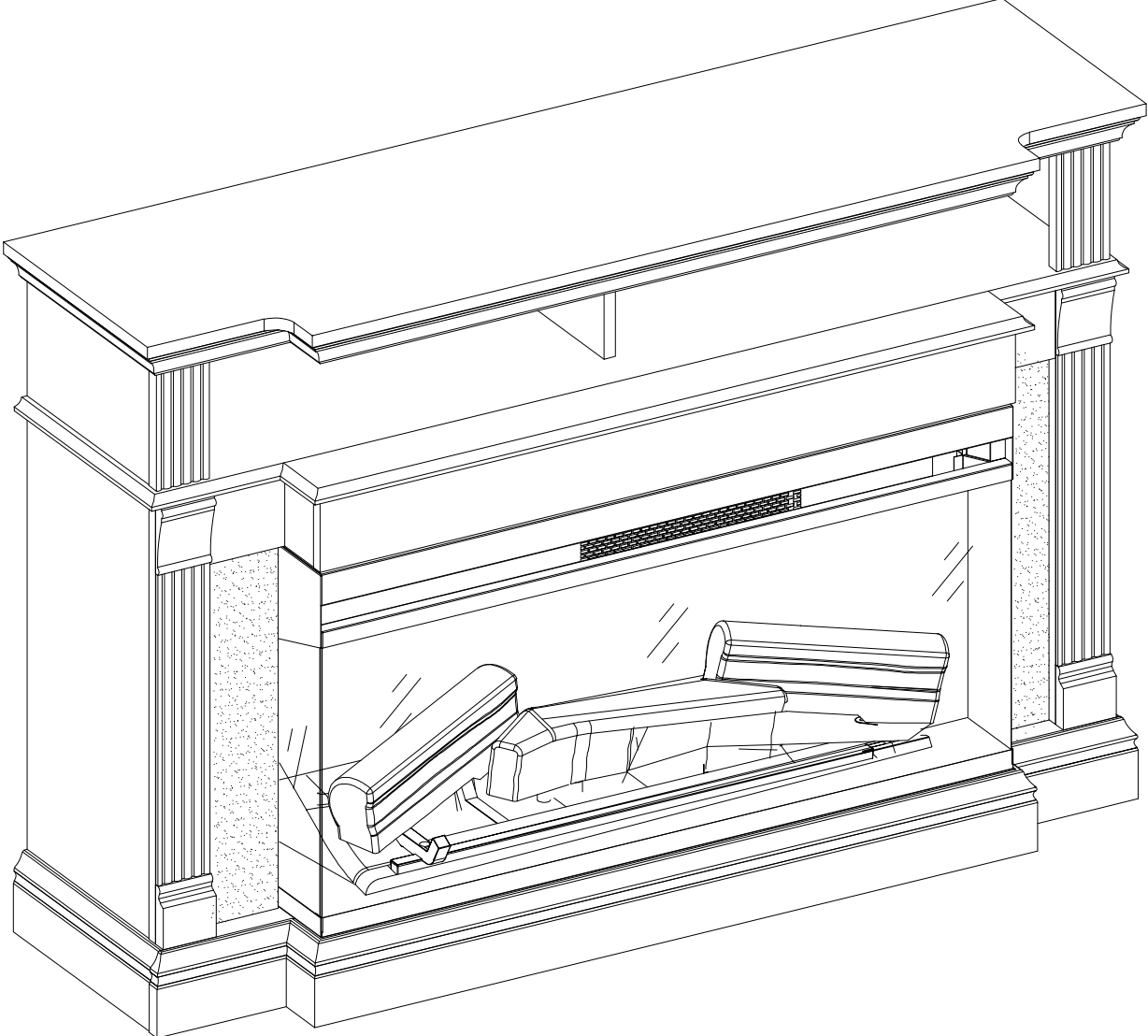


WARNING

Serious or fatal injuries can occur from furniture tipping over. To prevent the furniture from tipping over, we recommend that it is permanently fixed to the wall. Wall anchor and hardware are included with this product. Please make sure hardware is suitable for your walls before installing, as different wall materials may require different types of anchors.



STEP 23



Final Assembly