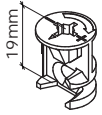


**BU3393**



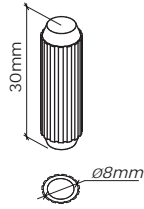
**T7**  
x4



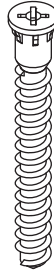
**T97**  
x4



**T28**  
x8



**H1**  
x12



**V57**  
x4



**H2**  
x20



**V5**  
x20



**V81**  
x2



**H129**  
x2



**R40**  
x16



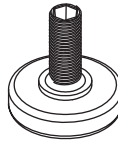
**G66**  
x22



**G158**  
x4



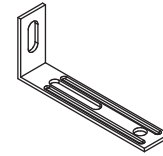
**G67**  
x4



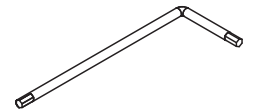
**P25**  
x4



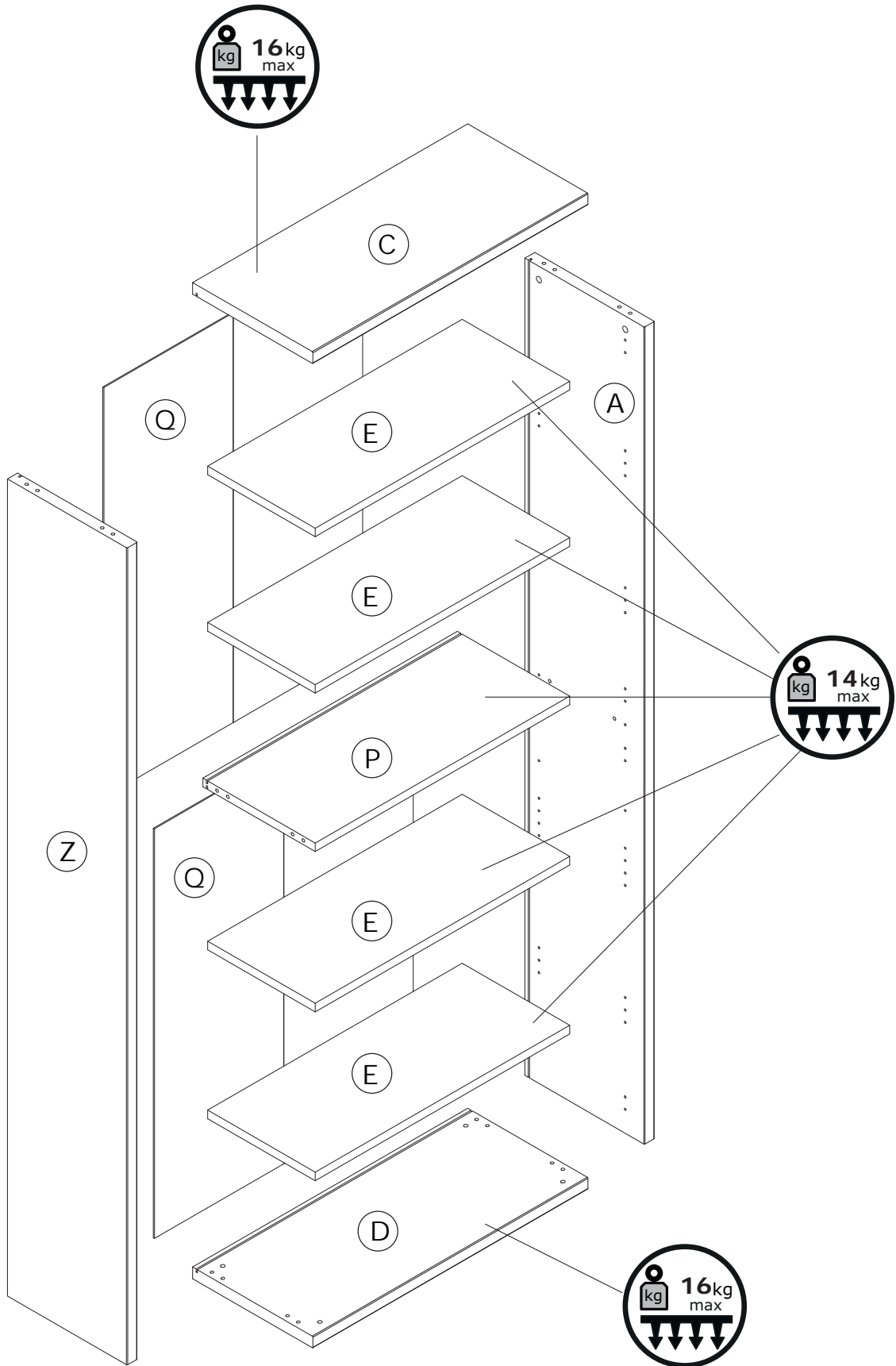
**H118**  
x4

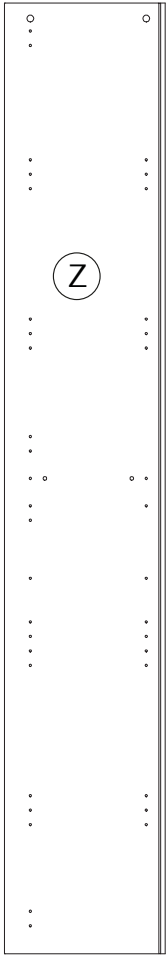


**H185**  
x1

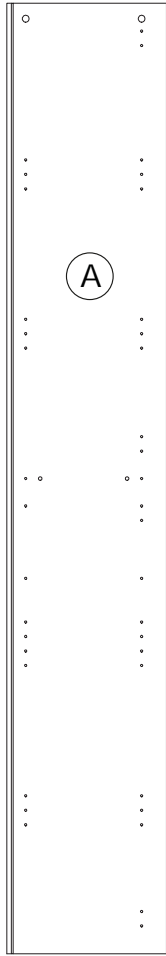


**H138**  
x1

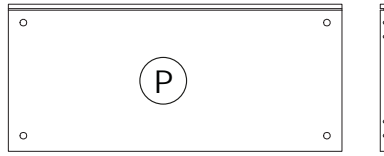




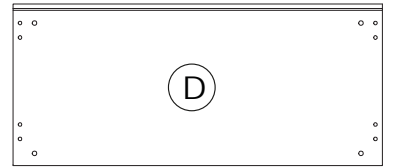
**FI7800**  
2100x355x30mm



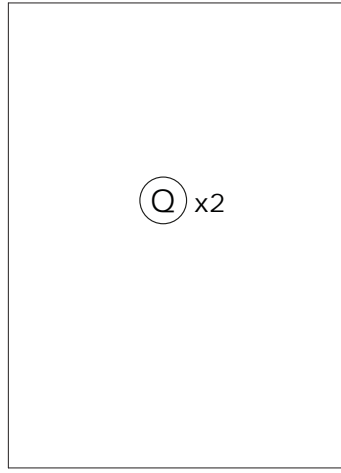
**FI7799**  
2100x355x30mm



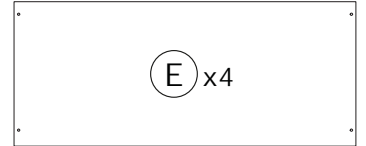
**PI6704**  
755x333x22mm



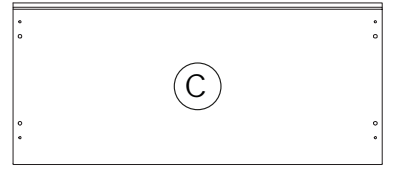
**BA1946**  
816x357x30mm



**SH2963**  
1053x768x3mm

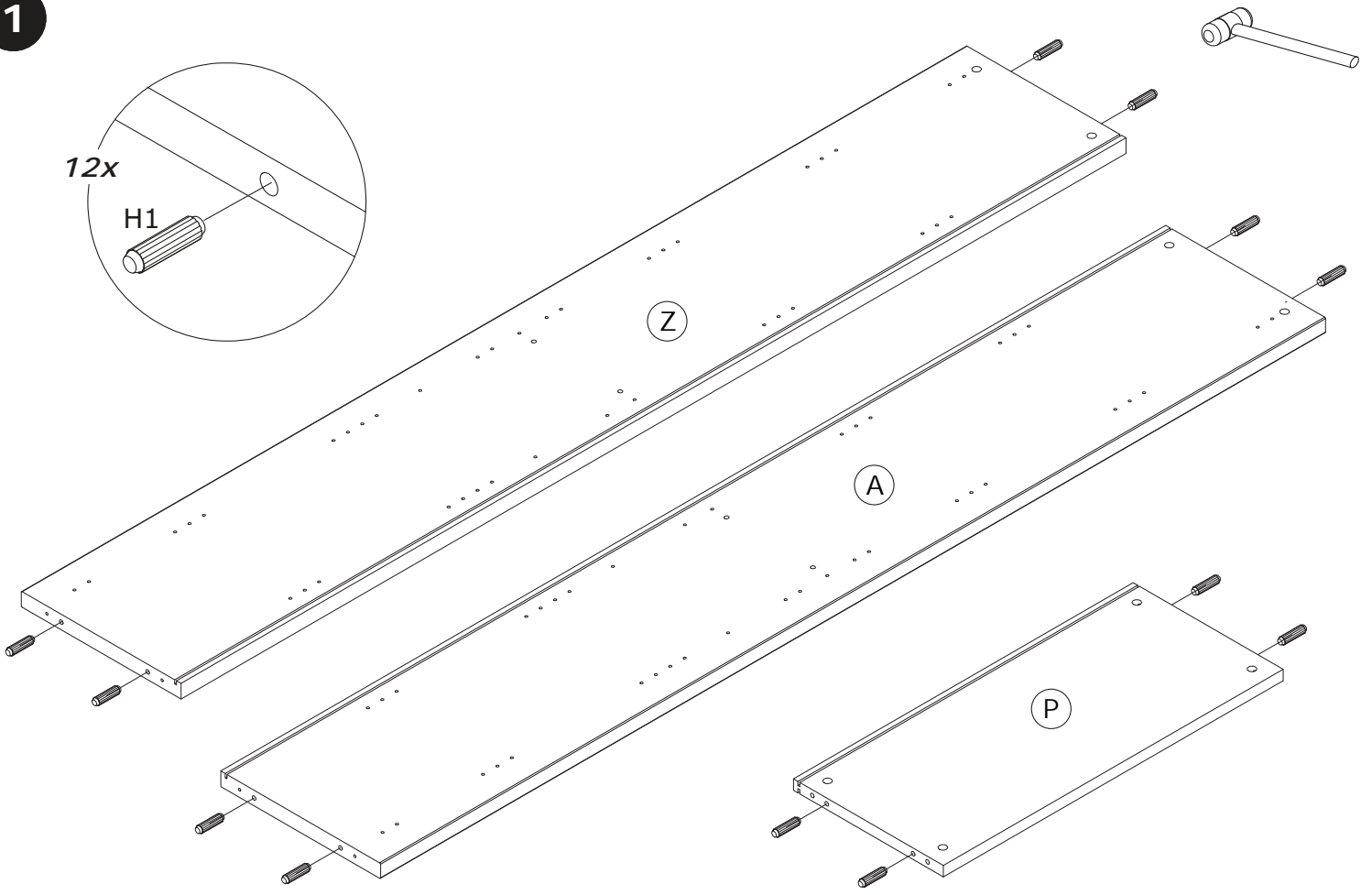


**PI6703**  
755x319x22mm

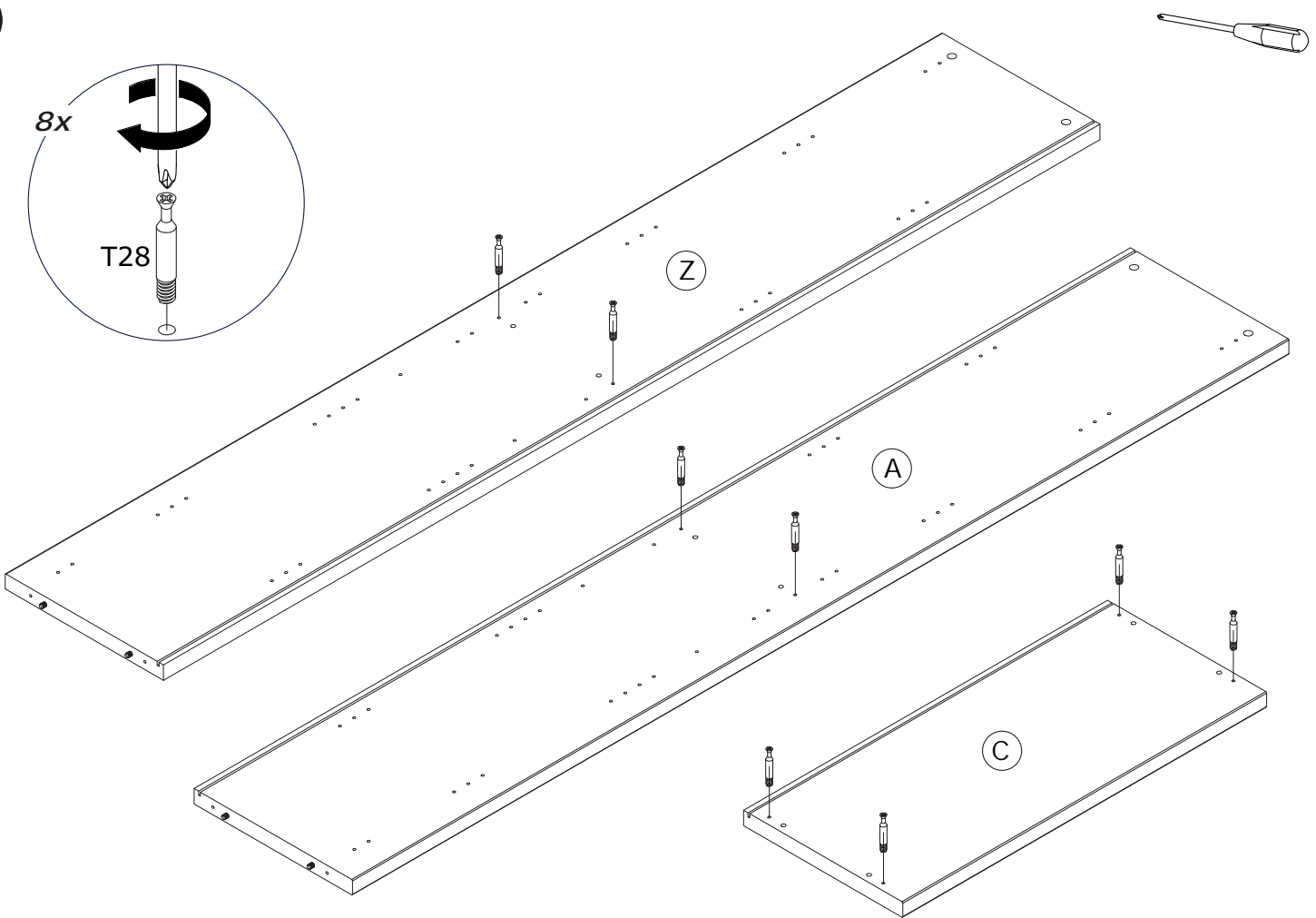


**CA3203**  
816x357x30mm

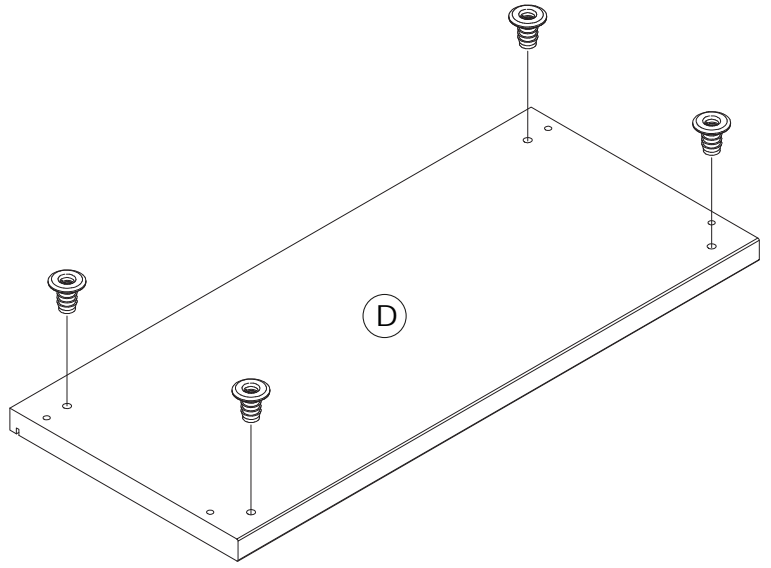
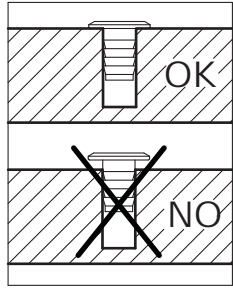
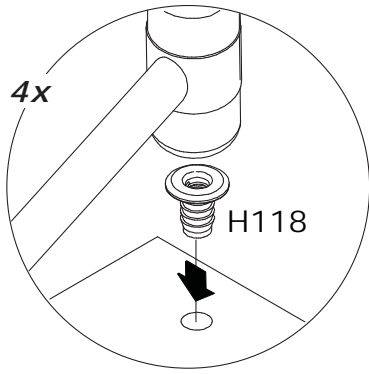
1



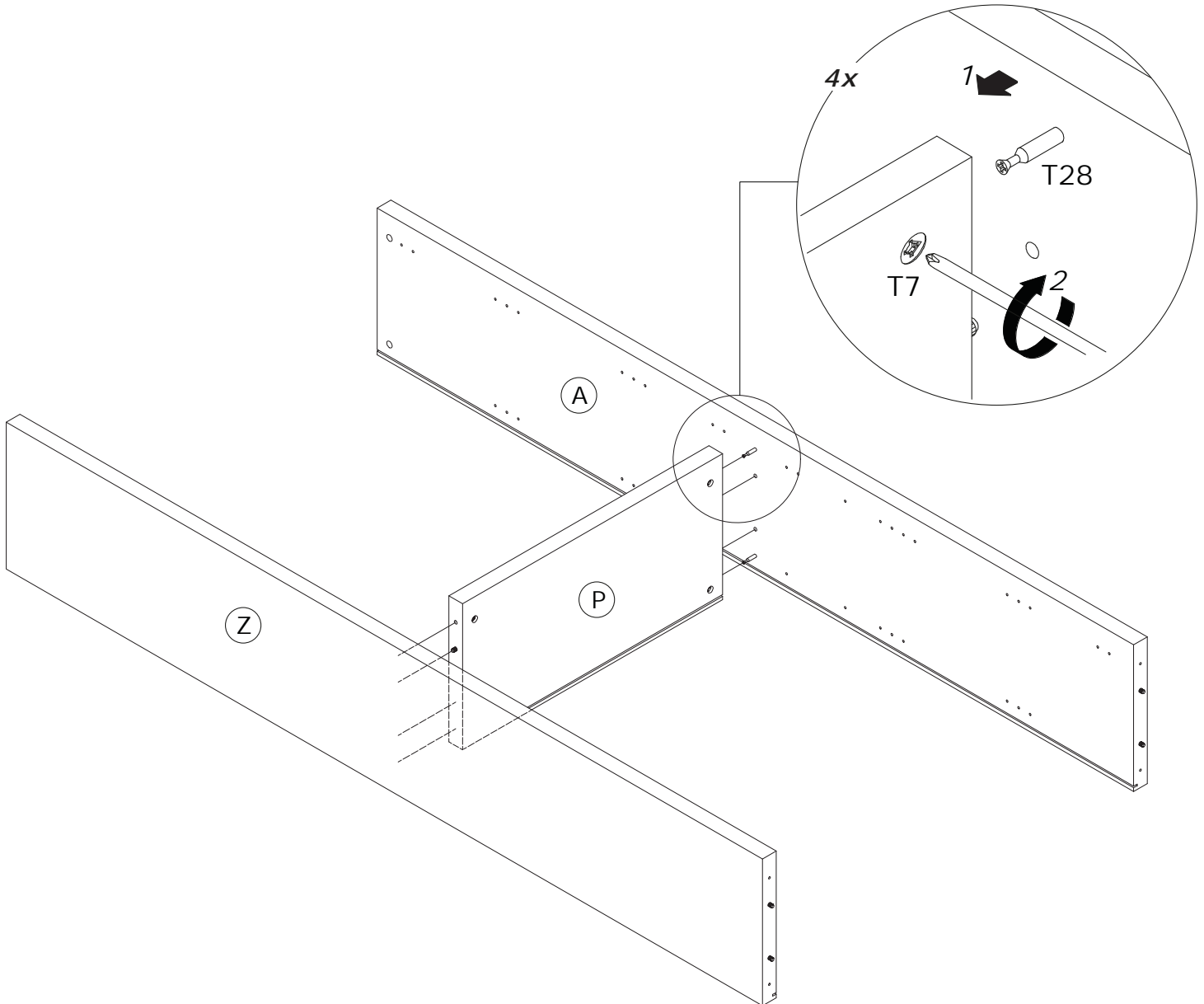
2



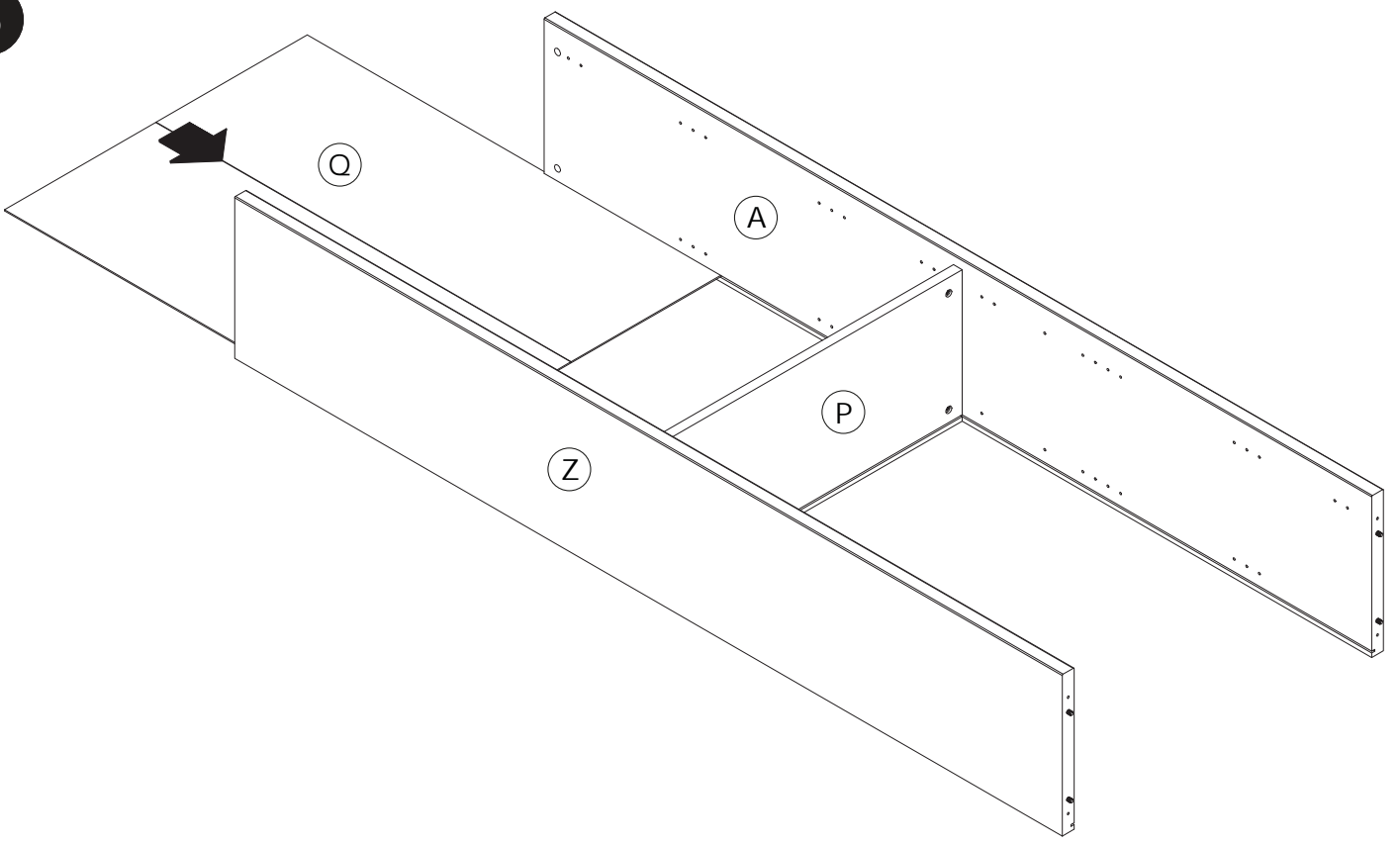
3



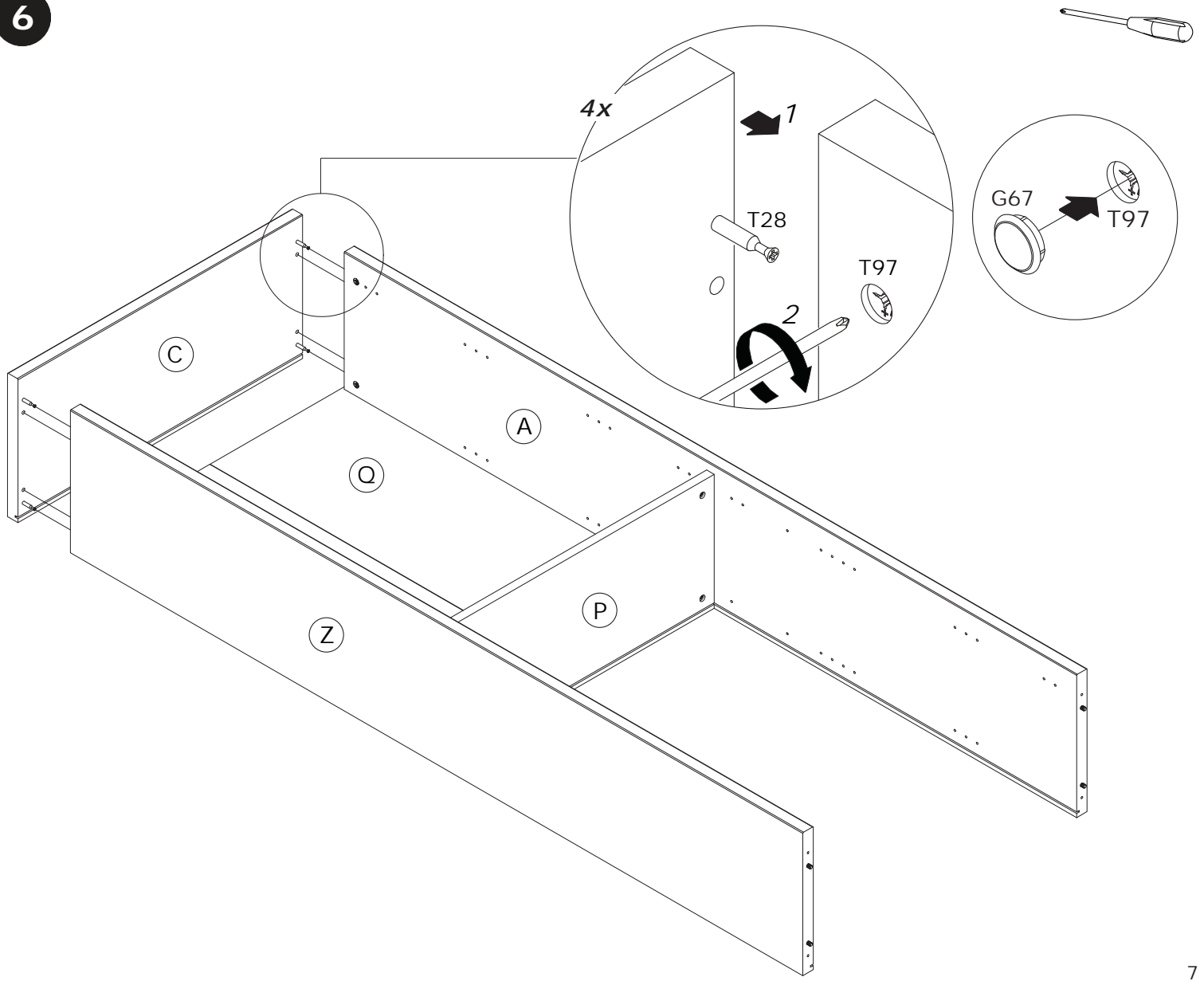
4



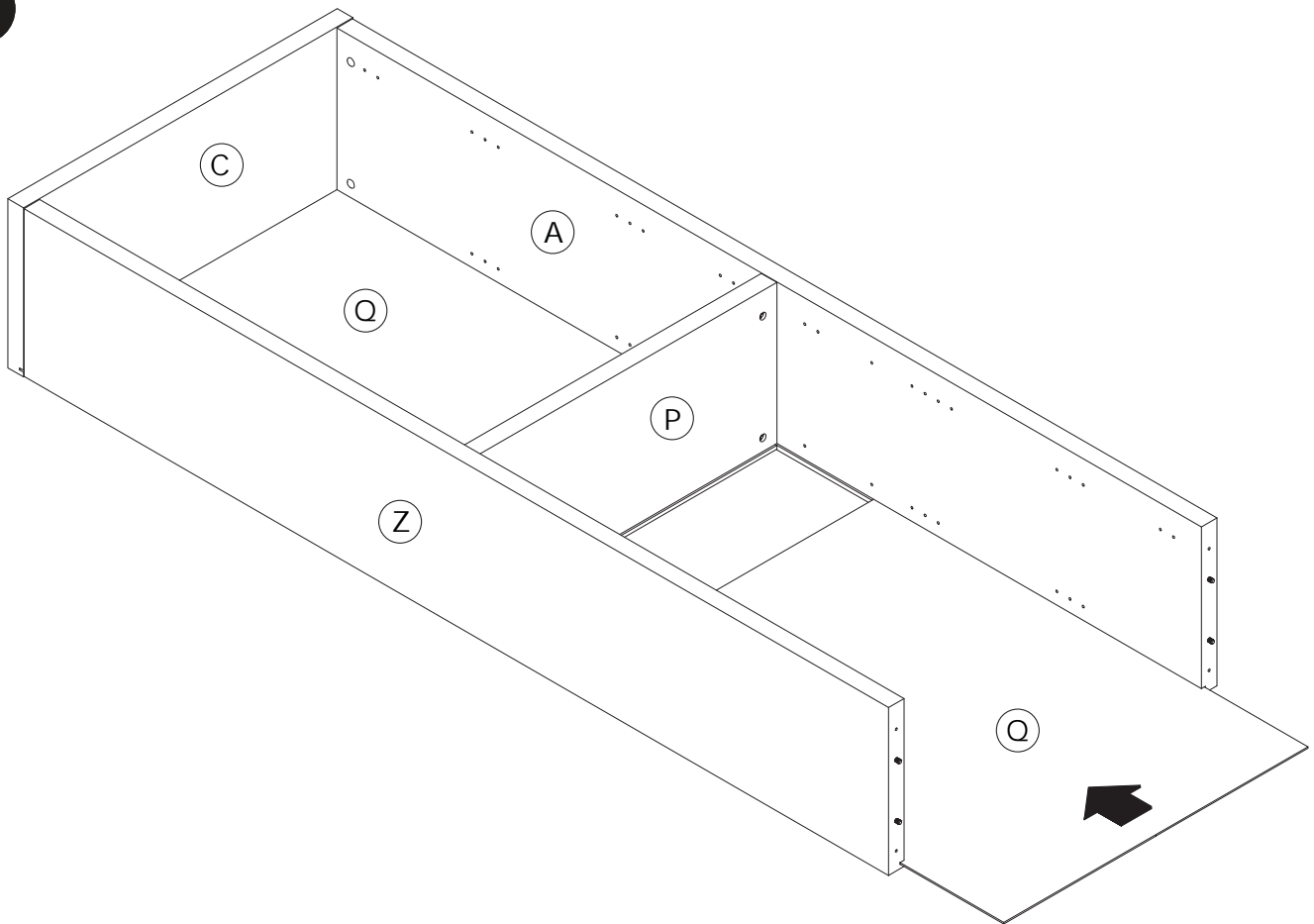
5



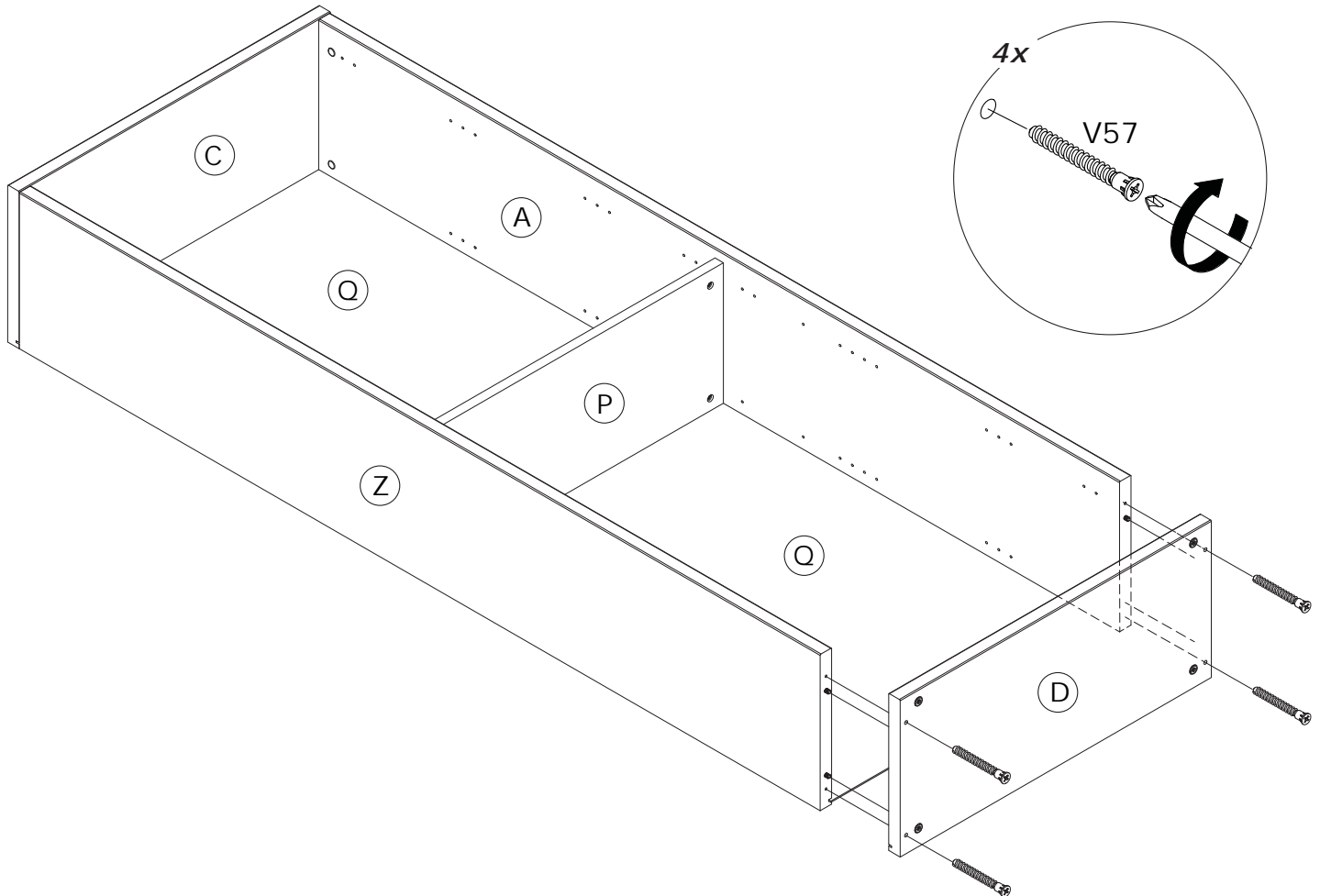
6



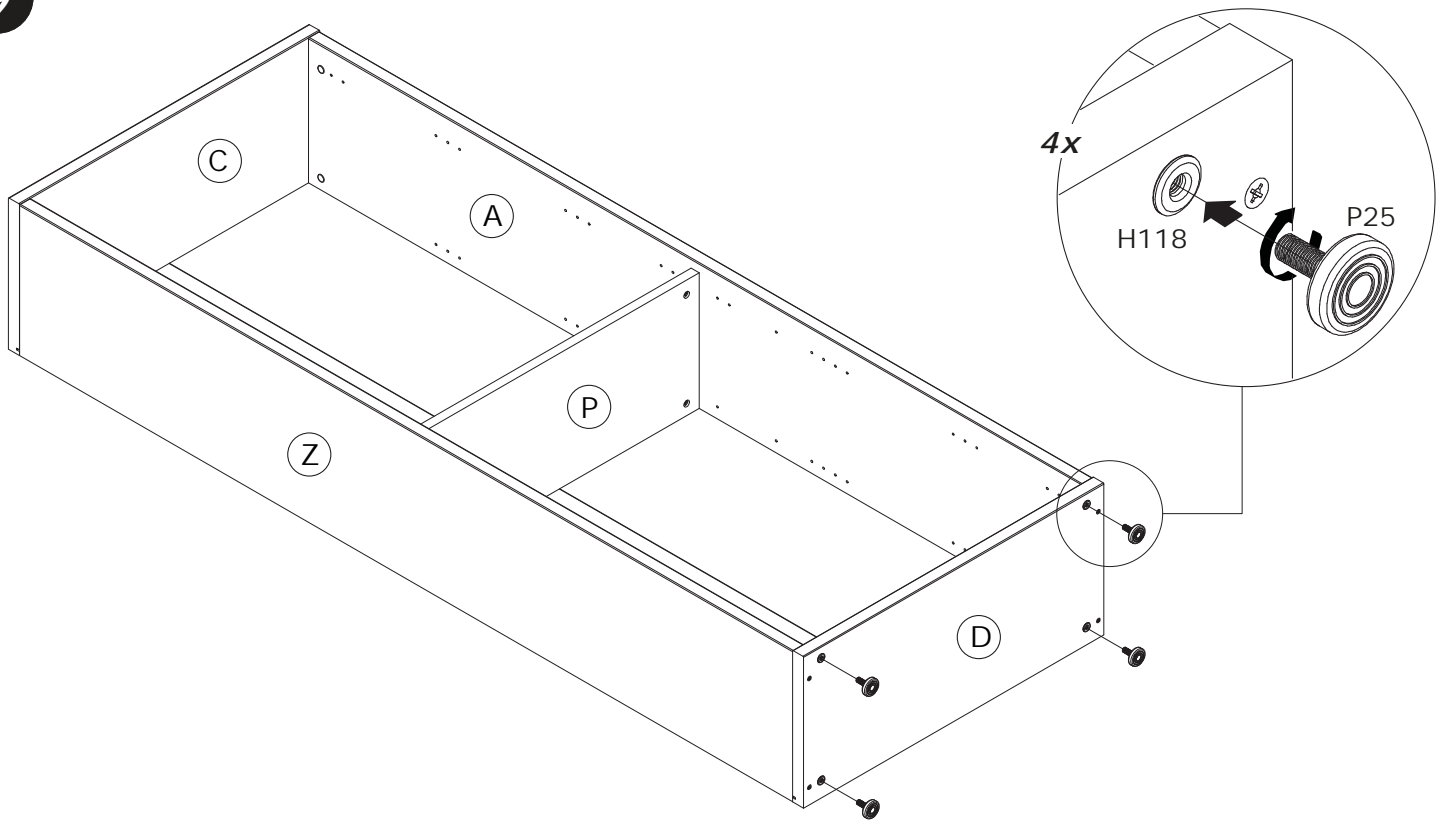
7



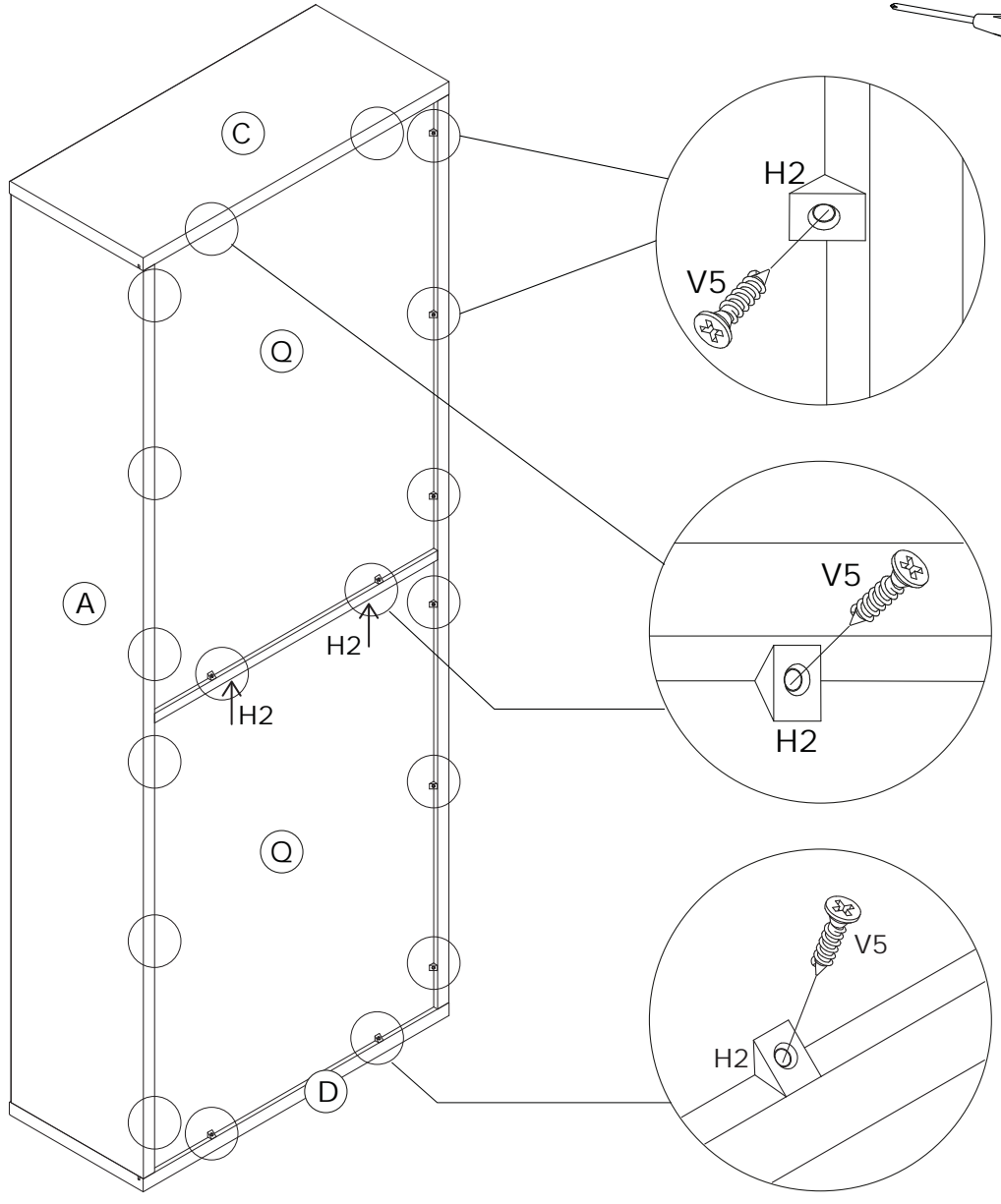
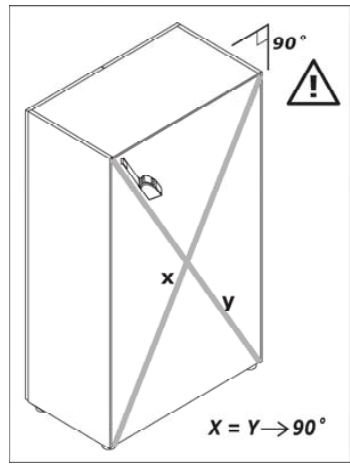
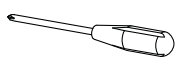
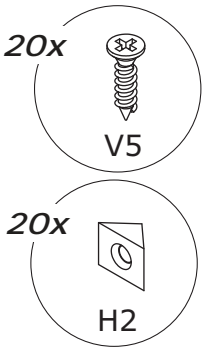
8

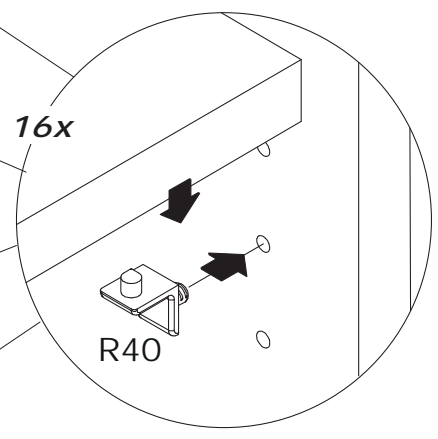
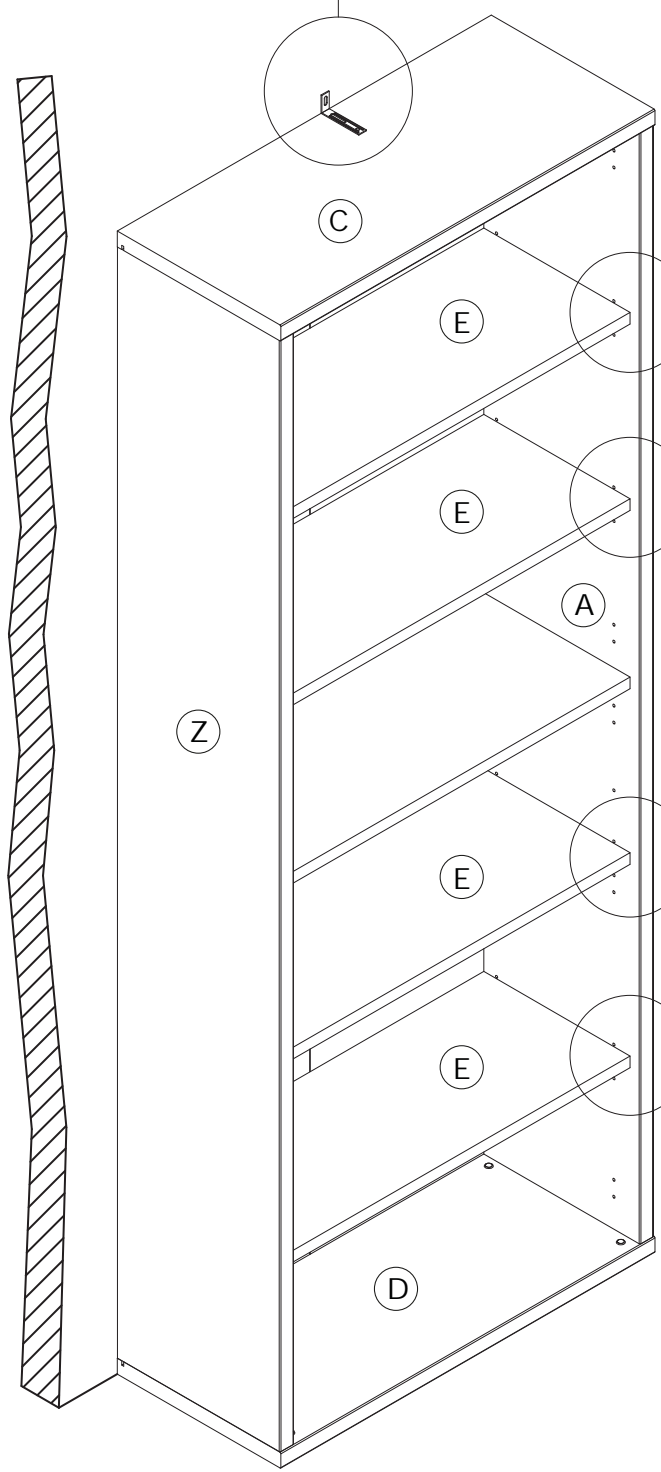
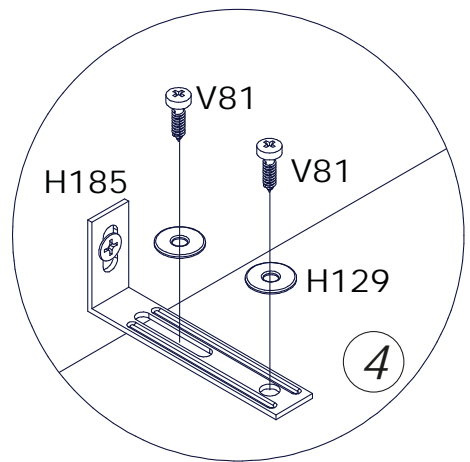
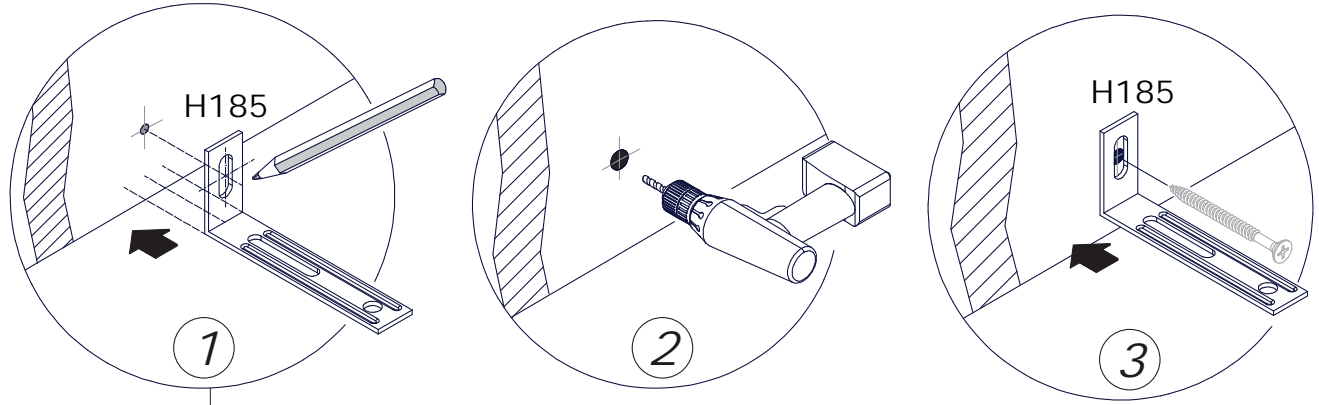
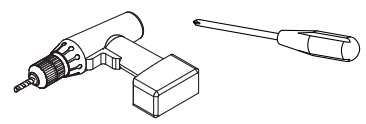


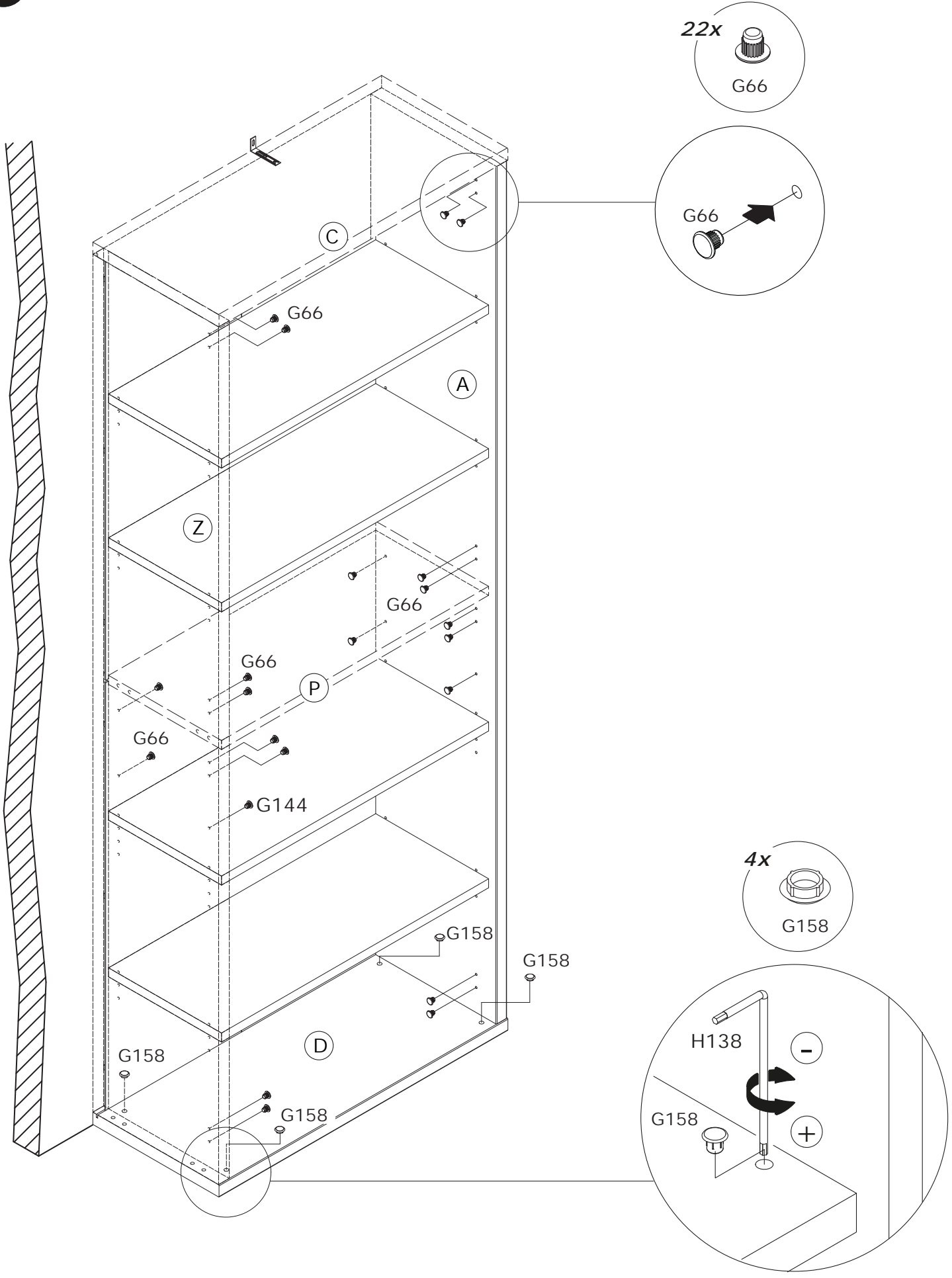
9



10





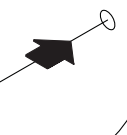


22x



G66

G66



4x



G158

H138



G158

