

## ASSEMBLY INSTRUCTIONS



*Fine Furniture for every stage of life*

POWER SECTIONAL

## ASSEMBLY INSTRUCTIONS

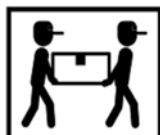
### ASSEMBLY TIPS:

- 1.Remove hardware from box and sort by size.
- 2.Please check to see that all hardware and parts are present prior to start of assembly.
- 3.Please follow attached instruction in the same sequence as numbered to assure fast & easy assembly.



#### WARNING!

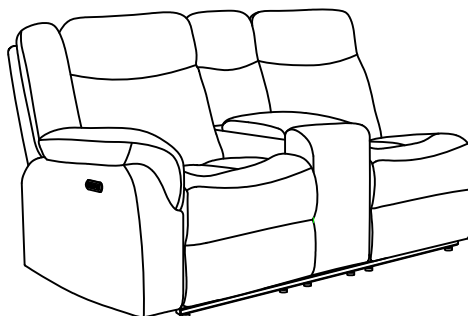
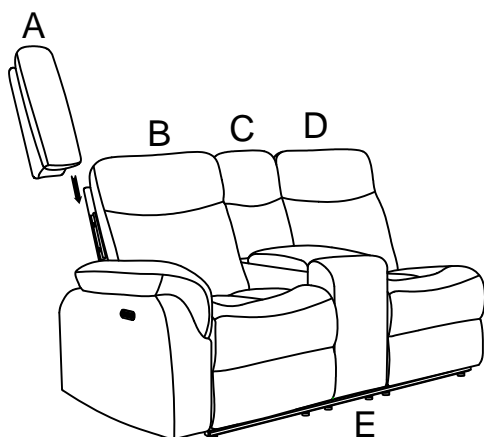
- 1.Don't attempt to repair or modify parts that are broken or defective. Please contact the store immediately.
- 2.This product is for home use only and not intended for commercial establishment.



ASSEMBLY TIME

5 MINUTES

## PARTS IDENTIFICATION



**A LEFT EAR**



**1 PC**

**B LEFT BACK**



**1 PC**

**C MIDDLE BACK**



**1 PC**

**D RIGHT BACK**



**1 PC**

**E BASE**



**1 PC**

**F PLUG-IN POWER SUPPLY**



**1 PC**

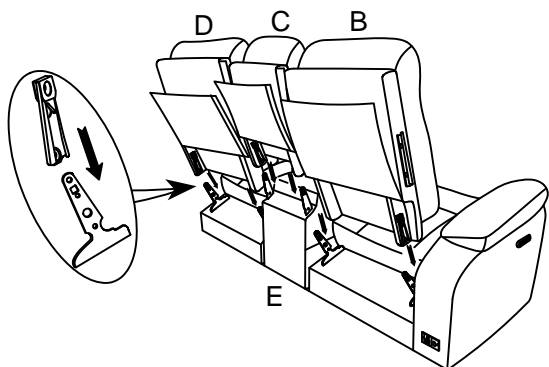
**G Y CABLE**



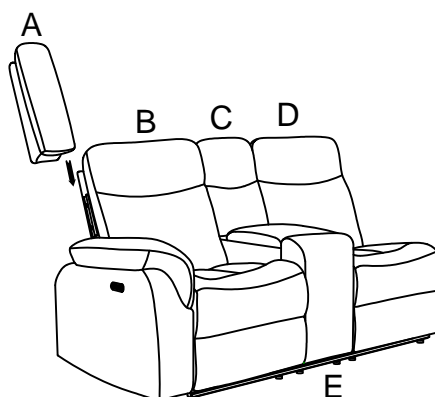
**1 PC**

# ASSEMBLY INSTRUCTIONS

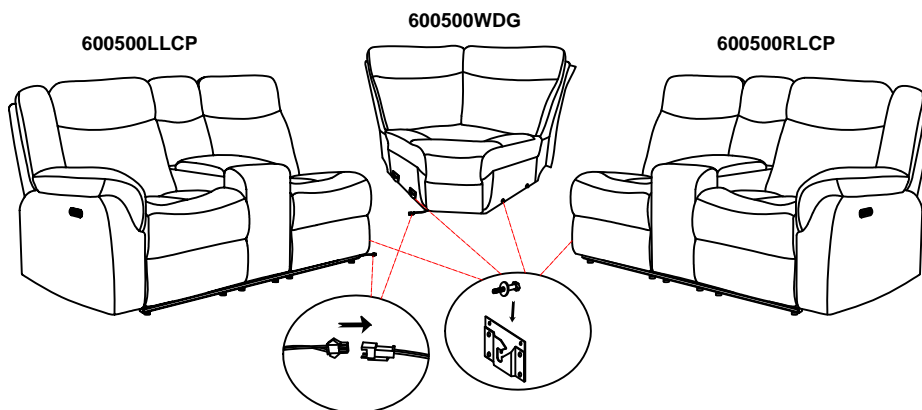
## STEP 1



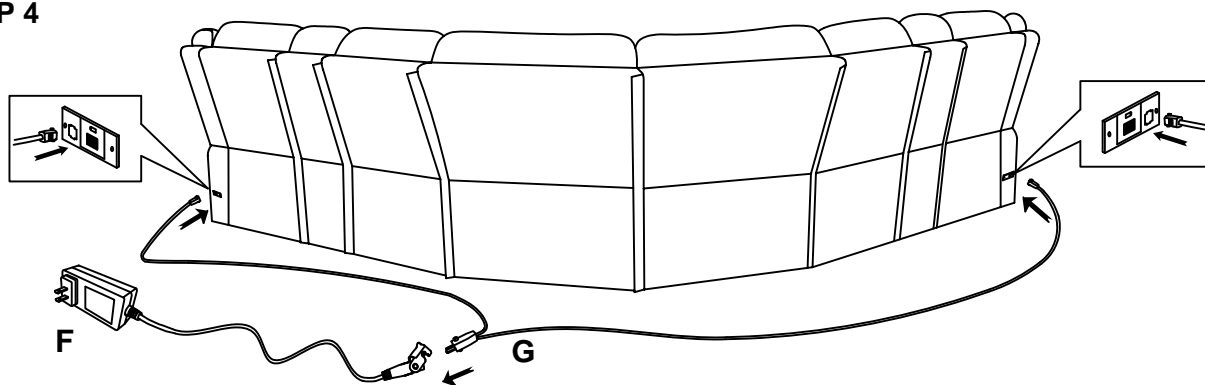
## STEP 2



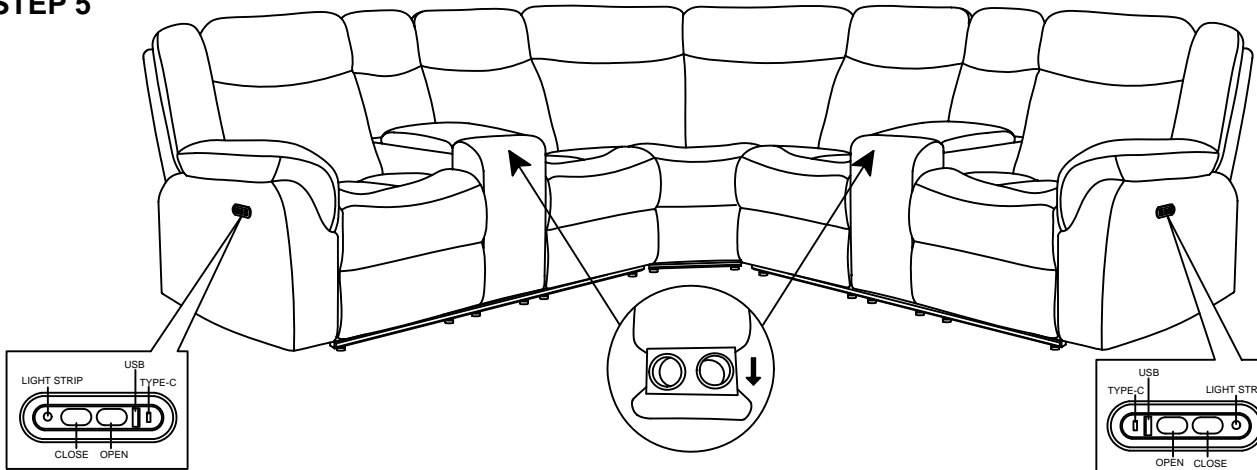
## STEP 3



## STEP 4



## STEP 5



## ASSEMBLY INSTRUCTIONS

### ASSEMBLY TIPS:

- 1.Remove hardware from box and sort by size.
- 2.Please check to see that all hardware and parts are present prior to start of assembly.
- 3.Please follow attached instruction in the same sequence as numbered to assure fast & easy assembly.



#### WARNING!

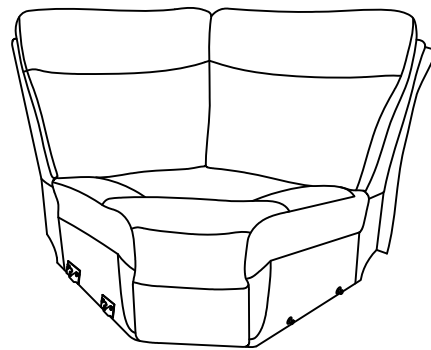
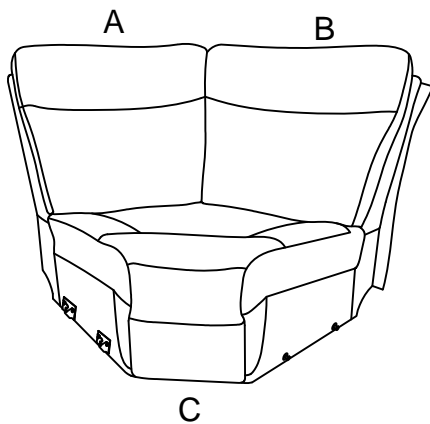
- 1.Don't attempt to repair or modify parts that are broken or defective. Please contact the store immediately.
- 2.This product is for home use only and not intended for commercial establishment.



ASSEMBLY TIME

5 MINUTES

## PARTS IDENTIFICATION



**A LEFT BACK**



**1 PC**

**B RIGHT BACK**



**1 PC**

**C BASE OF WEDGE**

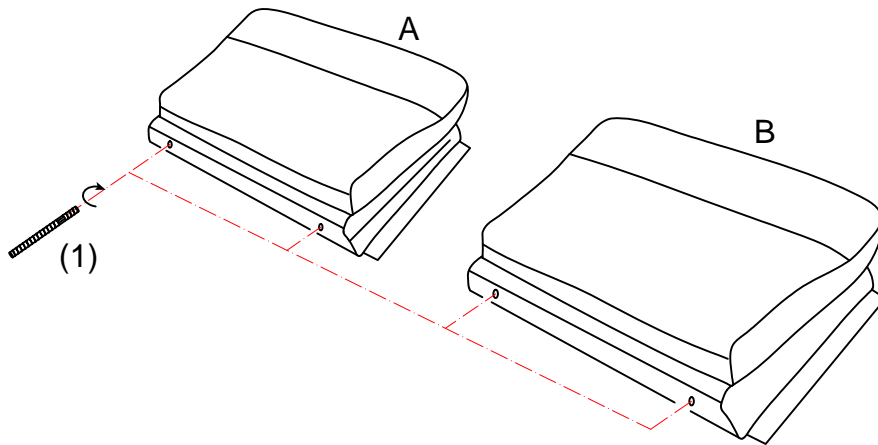


**1 PC**

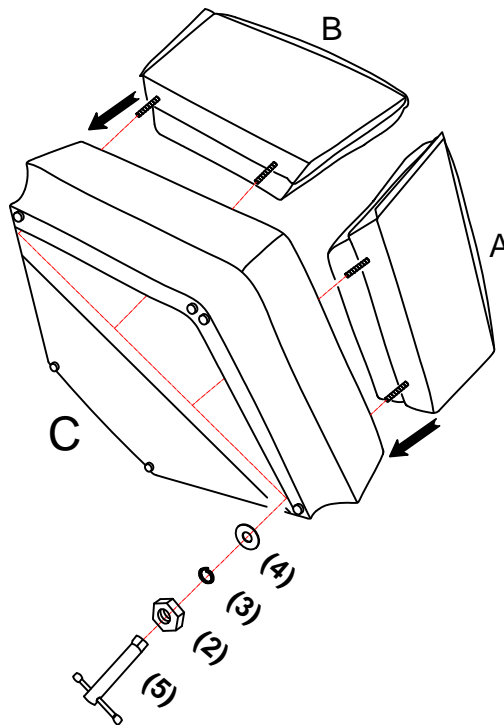
Z	HARDWARE PACKAGE		
NO	DESCRIPTION	FIGURE	QTY
1	THREADED RODS $\frac{5}{16}$ " * 100mm		4PCS
2	HEXAGON NUTS $\frac{5}{16}$ " * 13.5mm		4PCS
3	LOCK WASHER $\frac{5}{16}$ " * 13mm		4PCS+1PC SPARE
4	FLAT WASHER $\frac{5}{16}$ " * 19mm		4PCS+1PC SPARE
5	WRENCH $\frac{5}{16}$ "		1PC

# ASSEMBLY INSTRUCTIONS

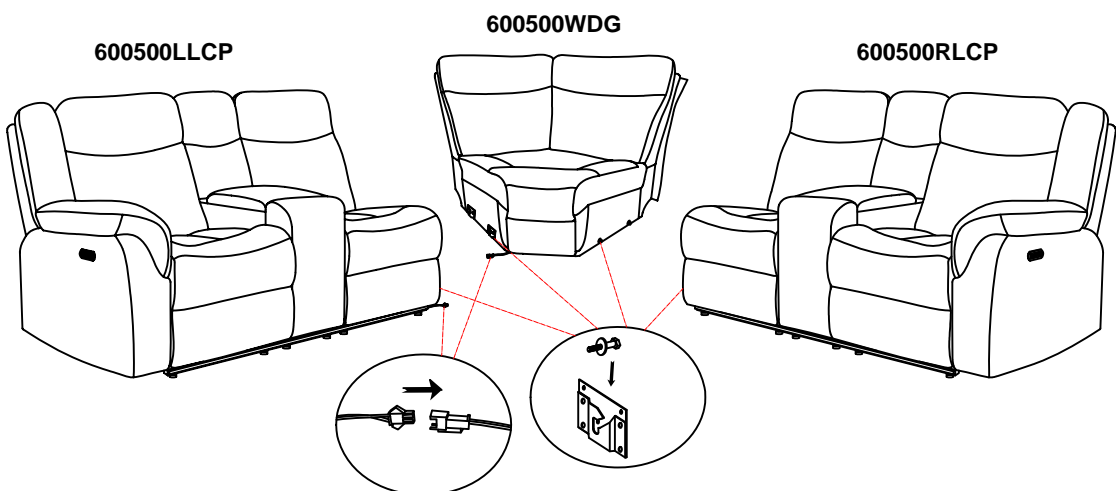
## STEP 1



## STEP 2



## STEP 3



## ASSEMBLY INSTRUCTIONS

### ASSEMBLY TIPS:

- 1.Remove hardware from box and sort by size.
- 2.Please check to see that all hardware and parts are present prior to start of assembly.
- 3.Please follow attached instruction in the same sequence as numbered to assure fast & easy assembly.



#### WARNING!

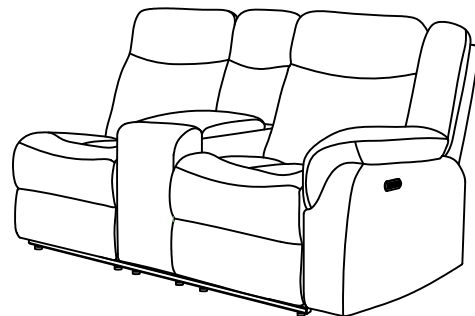
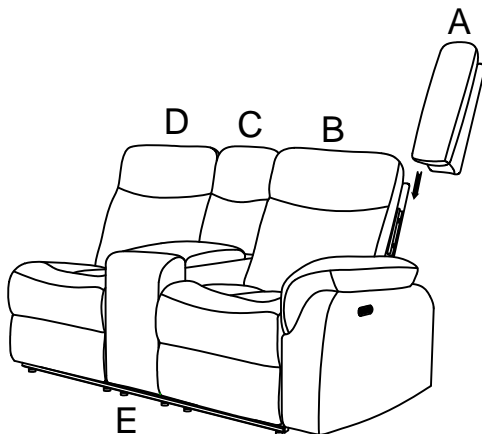
- 1.Don't attempt to repair or modify parts that are broken or defective. Please contact the store immediately.
- 2.This product is for home use only and not intended for commercial establishment.



ASSEMBLY TIME

5 MINUTES

## PARTS IDENTIFICATION



**A RIGHT EAR**

**B RIGHT BACK**

**C MIDDLE BACK**

**D LEFT BACK**

**E BASE**



**1 PC**



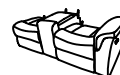
**1 PC**



**1 PC**



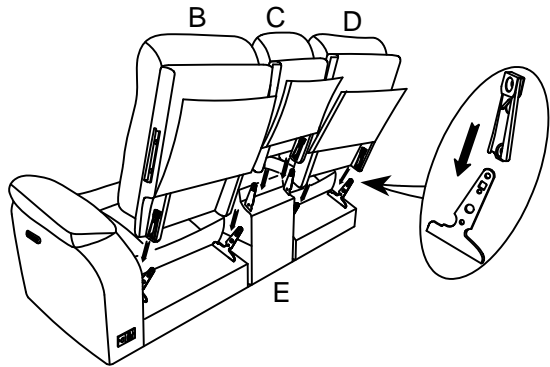
**1 PC**



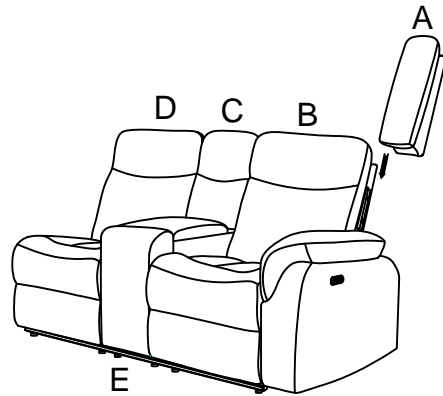
**1 PC**

# ASSEMBLY INSTRUCTIONS

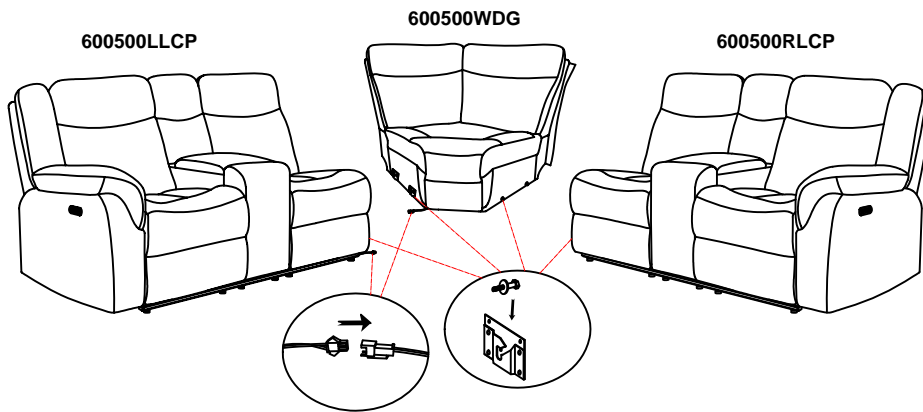
## STEP 1



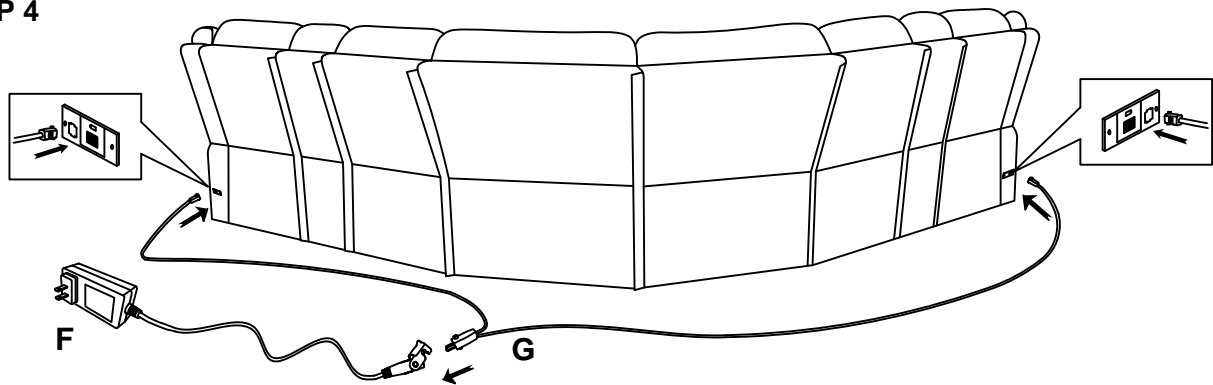
## STEP 2



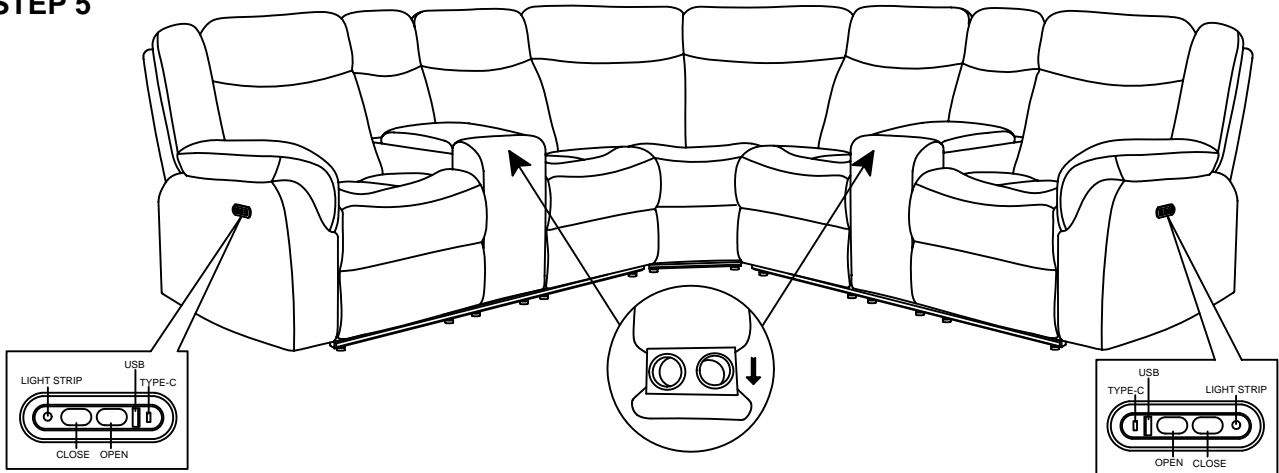
## STEP 3



## STEP 4



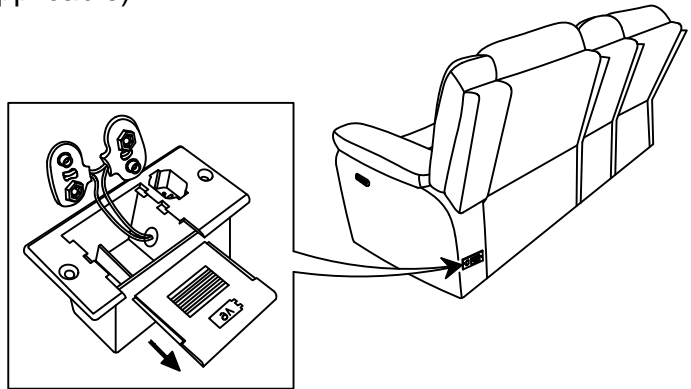
## STEP 5



Please follow below steps to install the 9V batteries when there is no power to operate the motion sofa.(Any model of 9V battery is applicable)

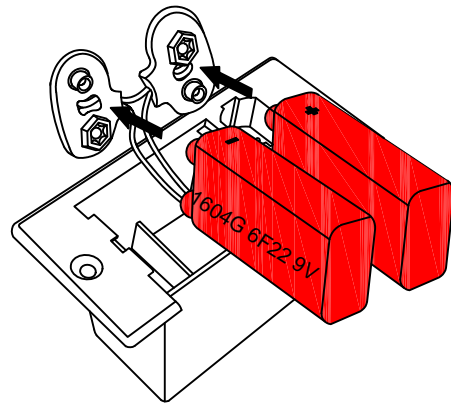
#### STEP 1

Open the marked battery door on the backup battery box.



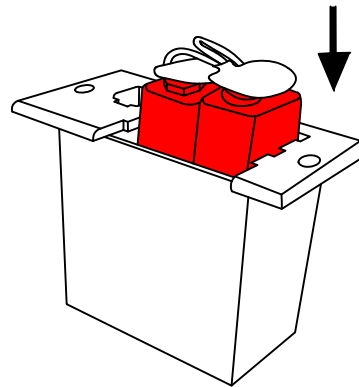
#### STEP 2

Install two 9V batteries in the backup battery box.(batteries are not included)



#### STEP 3

Push the batteries in.



#### STEP 4

Close the box door.

Notice: Please don't keep the battery in the box when the power motion sofa is under daily use with power supply.

