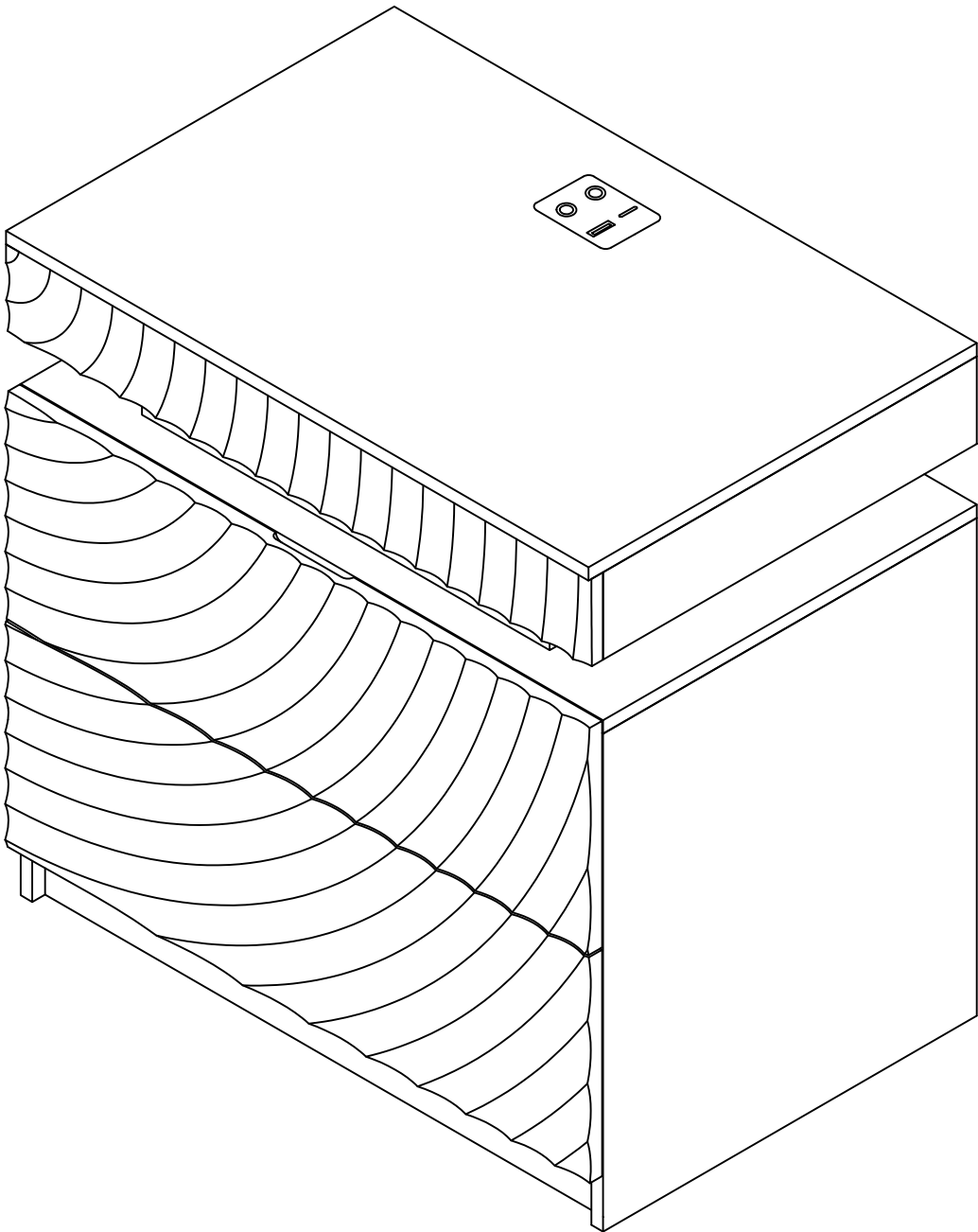
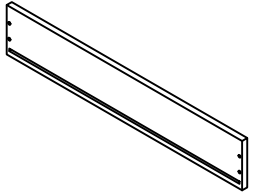
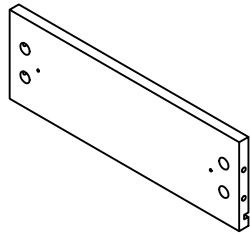


# Product Installation Instructions

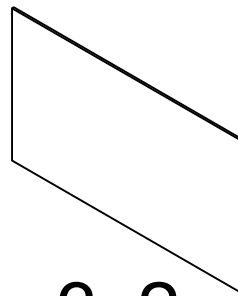




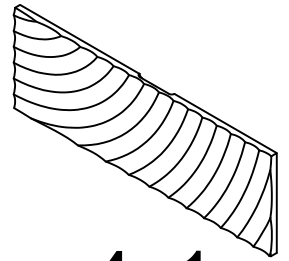
1x2



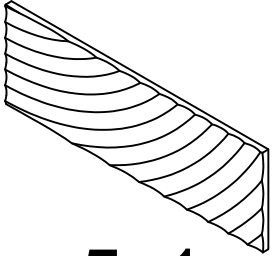
2x4



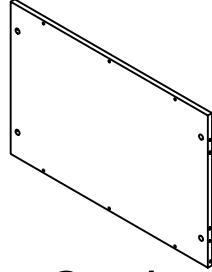
3x2



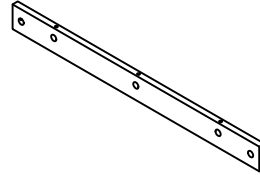
4x1



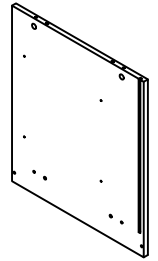
5x1



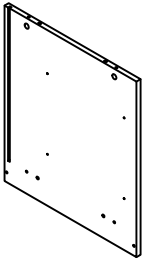
6x1



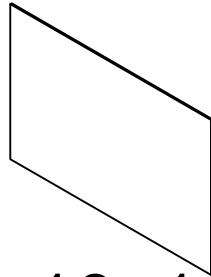
7x2



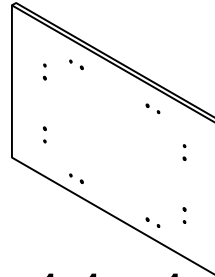
8x1



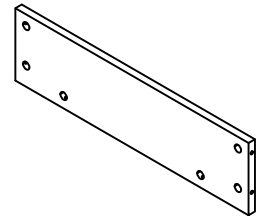
9x1



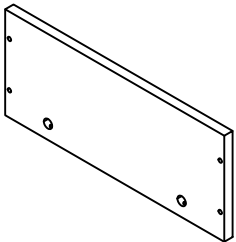
10x1



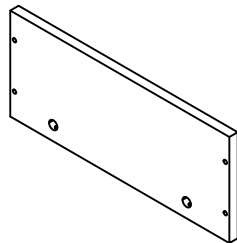
11x1



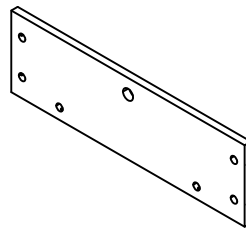
12x1



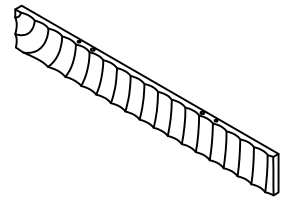
13x1



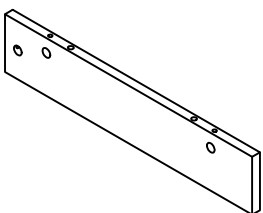
14x1



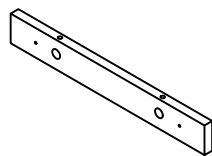
15x1



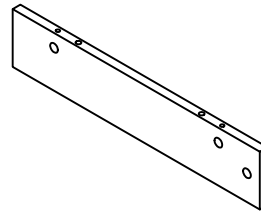
16x1



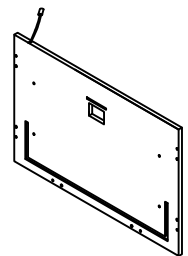
17x1



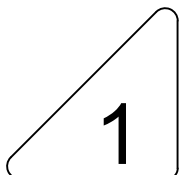
18x2



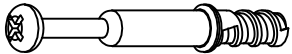

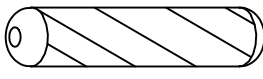
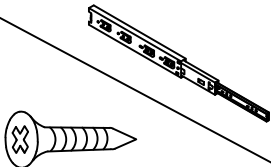
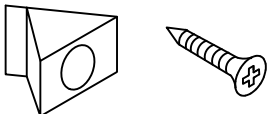
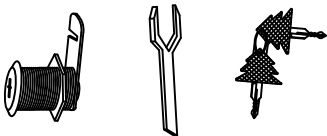

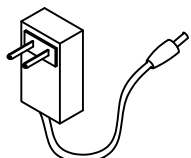
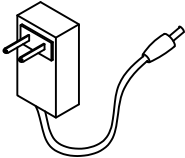
19x1

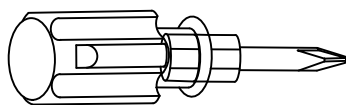


20x1

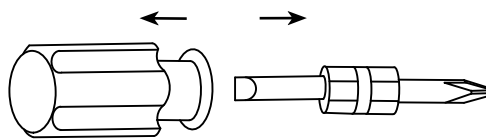


# Accessories list

<p><b>A</b></p>		<p>Two In One Screw (6x28mm)</p>	<p>62pcs +4pcs</p>
<p><b>B</b></p>		<p>Two In One Nut (10x12mm)</p>	<p>62pcs +4pcs</p>
<p><b>C</b></p>		<p>Wood Chipping (6x30mm)</p>	<p>22pcs +2pcs</p>
<p><b>D</b></p>		<p>Screw &amp; Guide (12 inch) (3x12mm)</p>	<p>6pcs 36pcs +6pcs</p>
<p><b>E</b></p>		<p>Back plate buckle &amp; Screw (3x16mm)</p>	<p>4pcs +1pcs</p>
<p><b>F</b></p>		<p>Locks &amp; tools &amp; key</p>	<p>1pcs</p>
<p><b>G</b></p>		<p>Non-slip pads</p>	<p>8pcs +1pcs</p>
		<p>AC/DC Adapter(12V 2.0A)</p>	<p>1pcs</p>

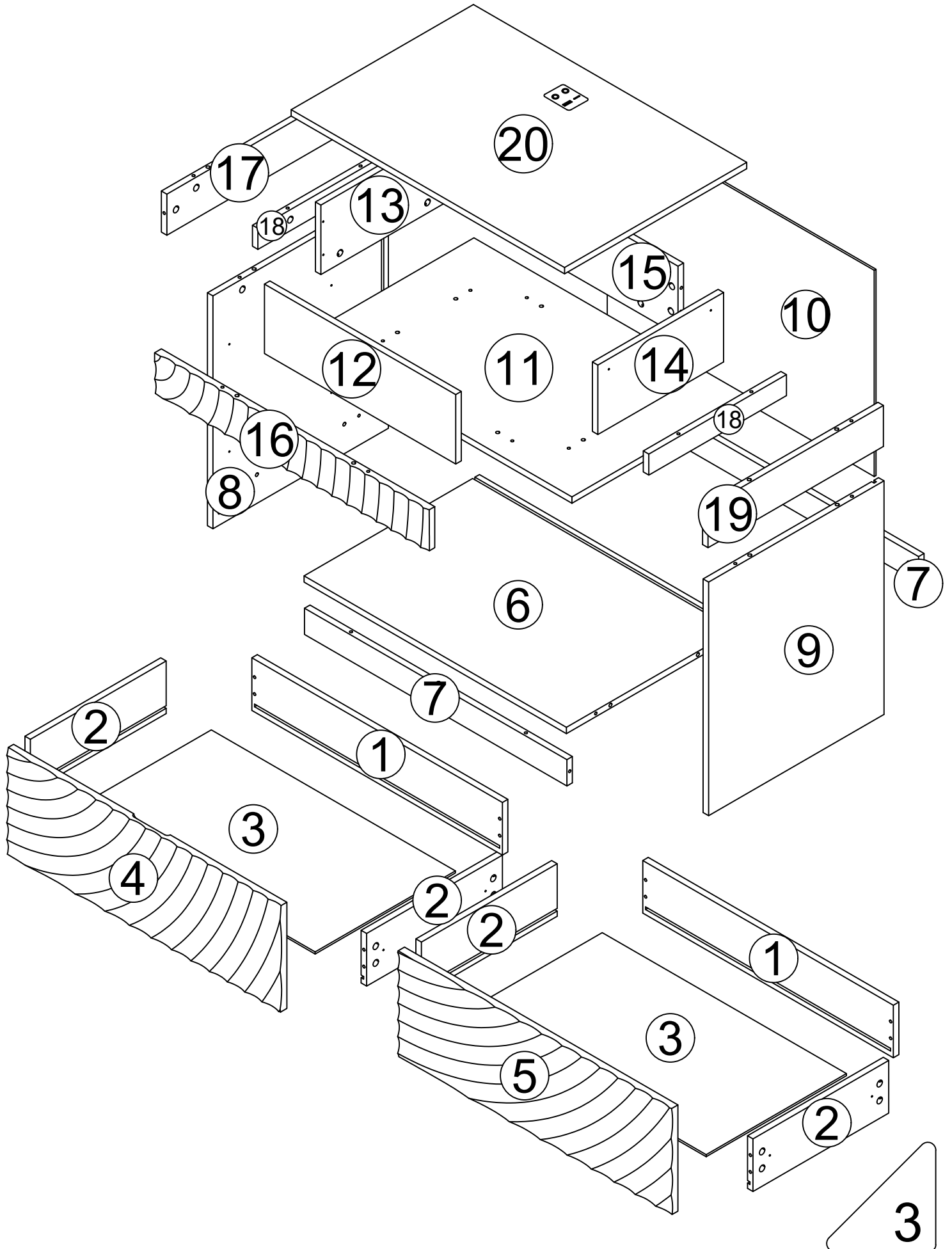


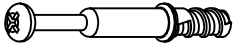
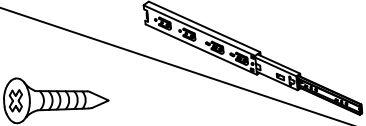

1pcs

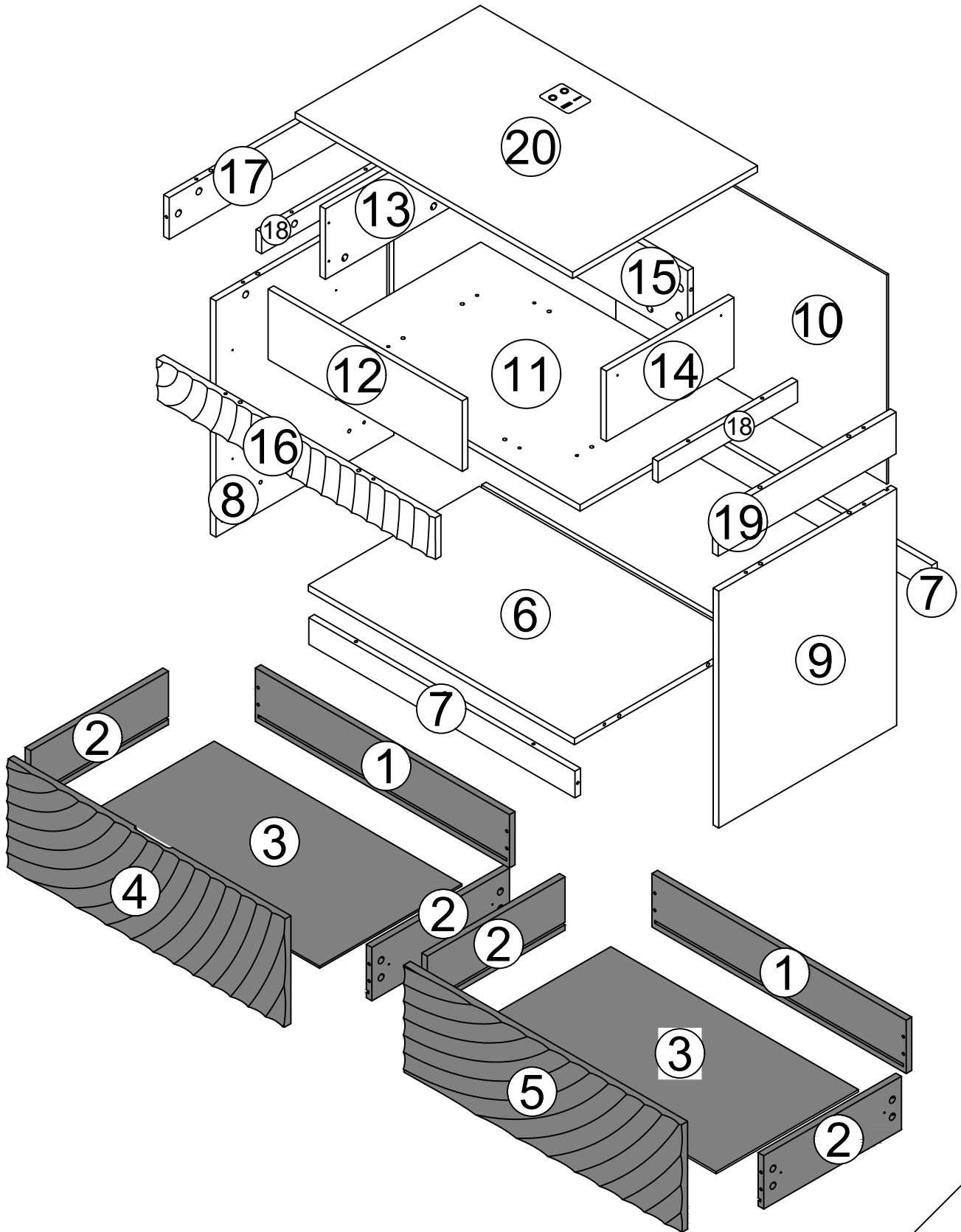


Double-head screwdriver, use as required

# Product Installation Instructions



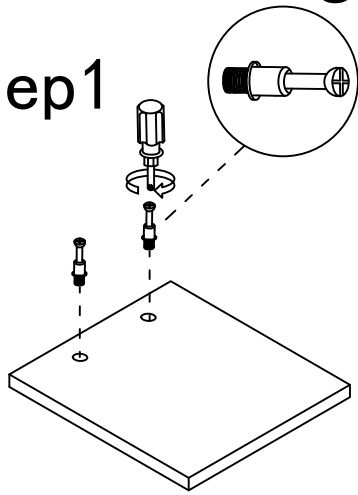
<p><b>A</b></p>		<p>16pcs</p>	<p><b>D</b></p>		<p>4pcs 12pcs</p>
<p><b>B</b></p>		<p>16pcs</p>			



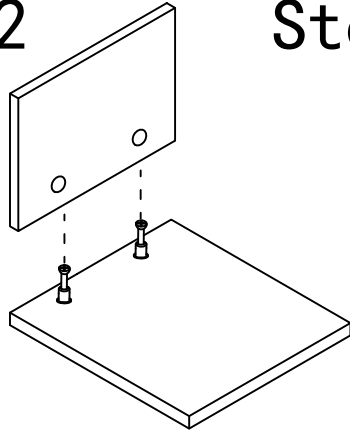
4

Use parts (A) and (B)

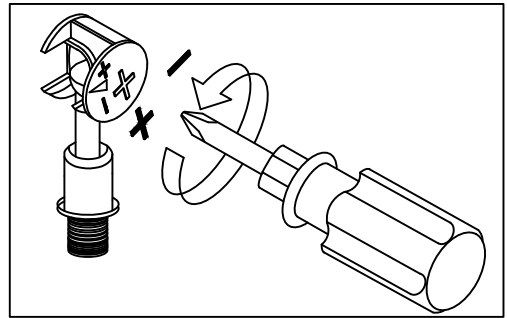
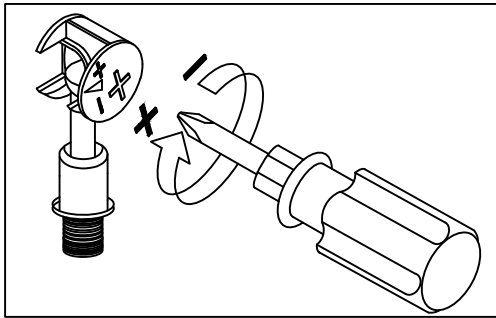
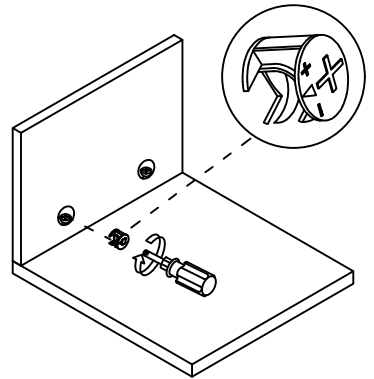
Step1



Step2



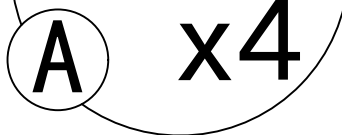
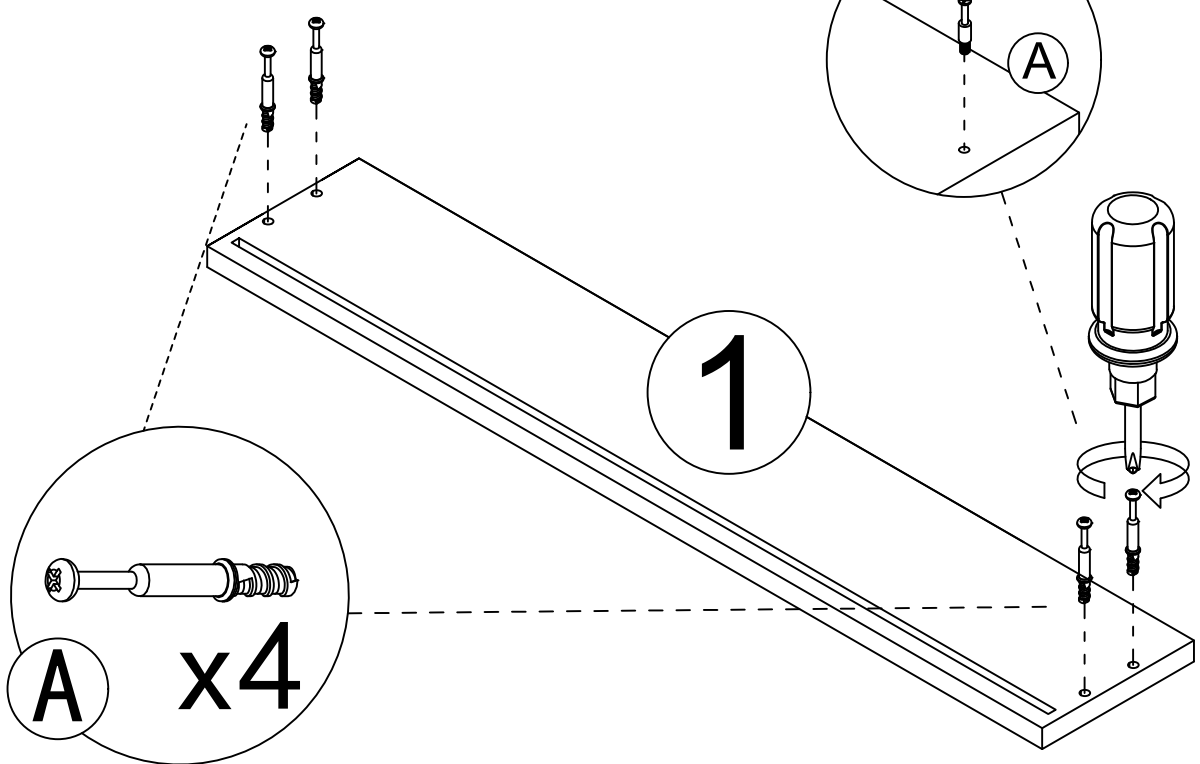
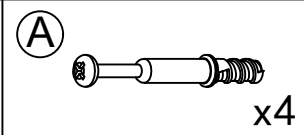
Step3



Use a screwdriver to lock in the direction of the "+" sign

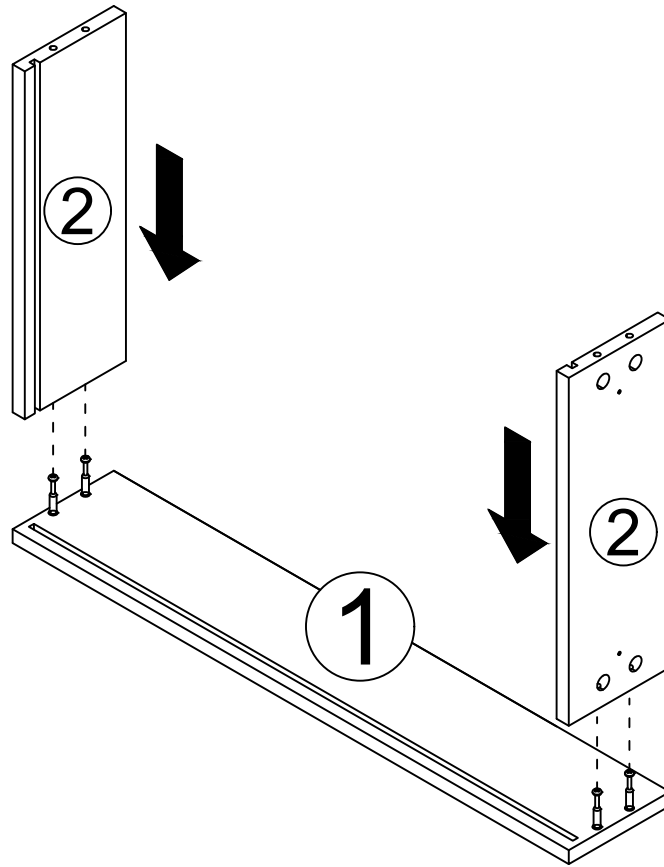
Disassemble along the direction of "-" sign

Step 1

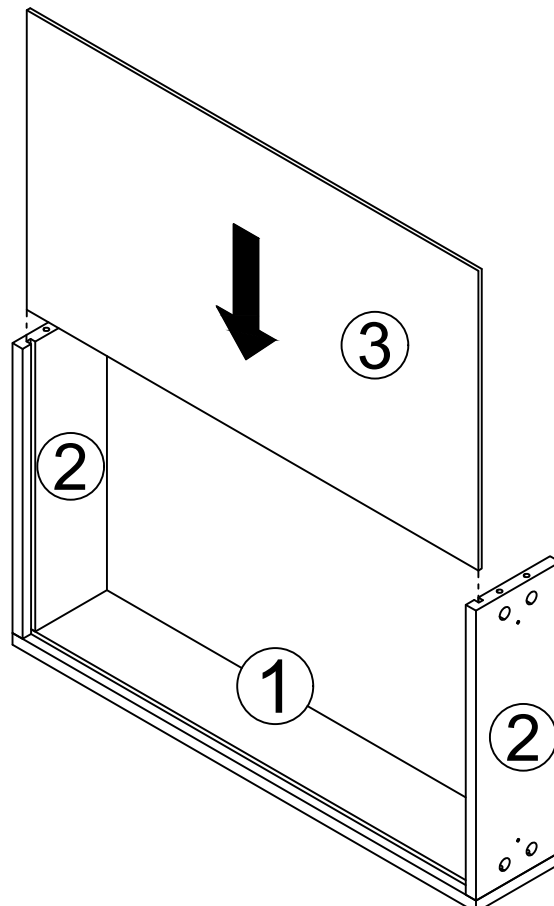


5

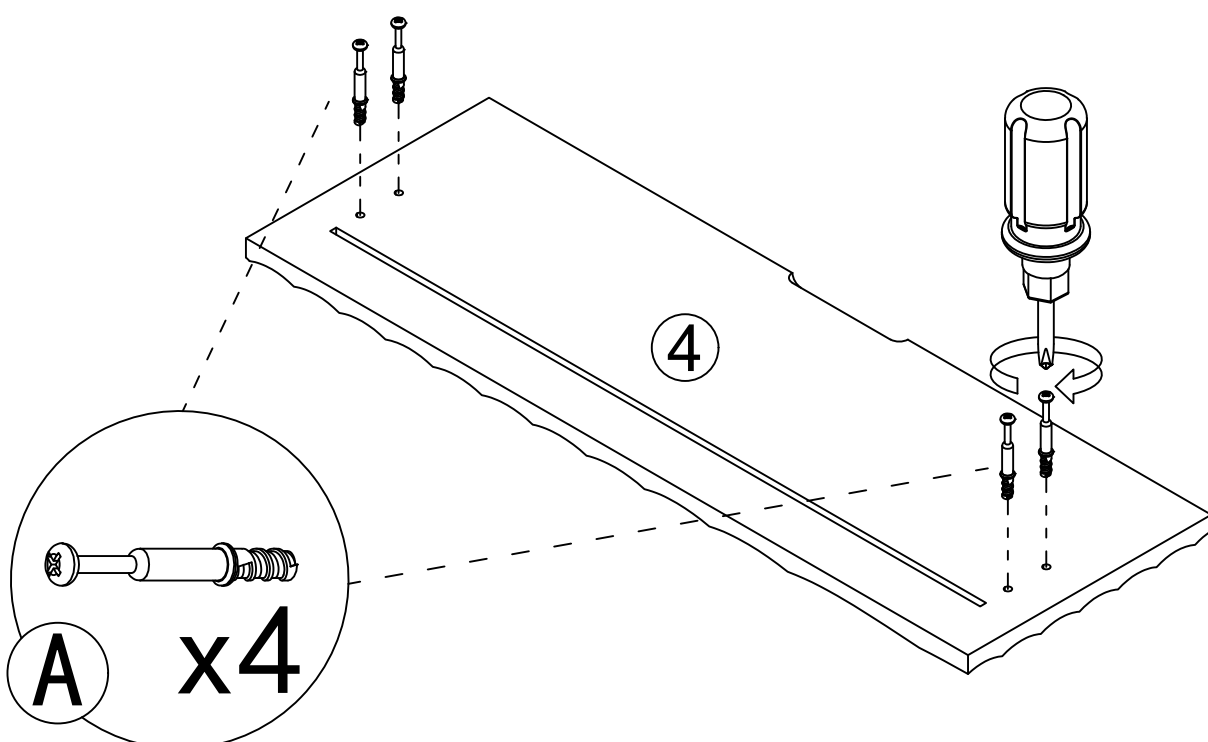
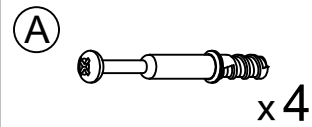
## Step 2



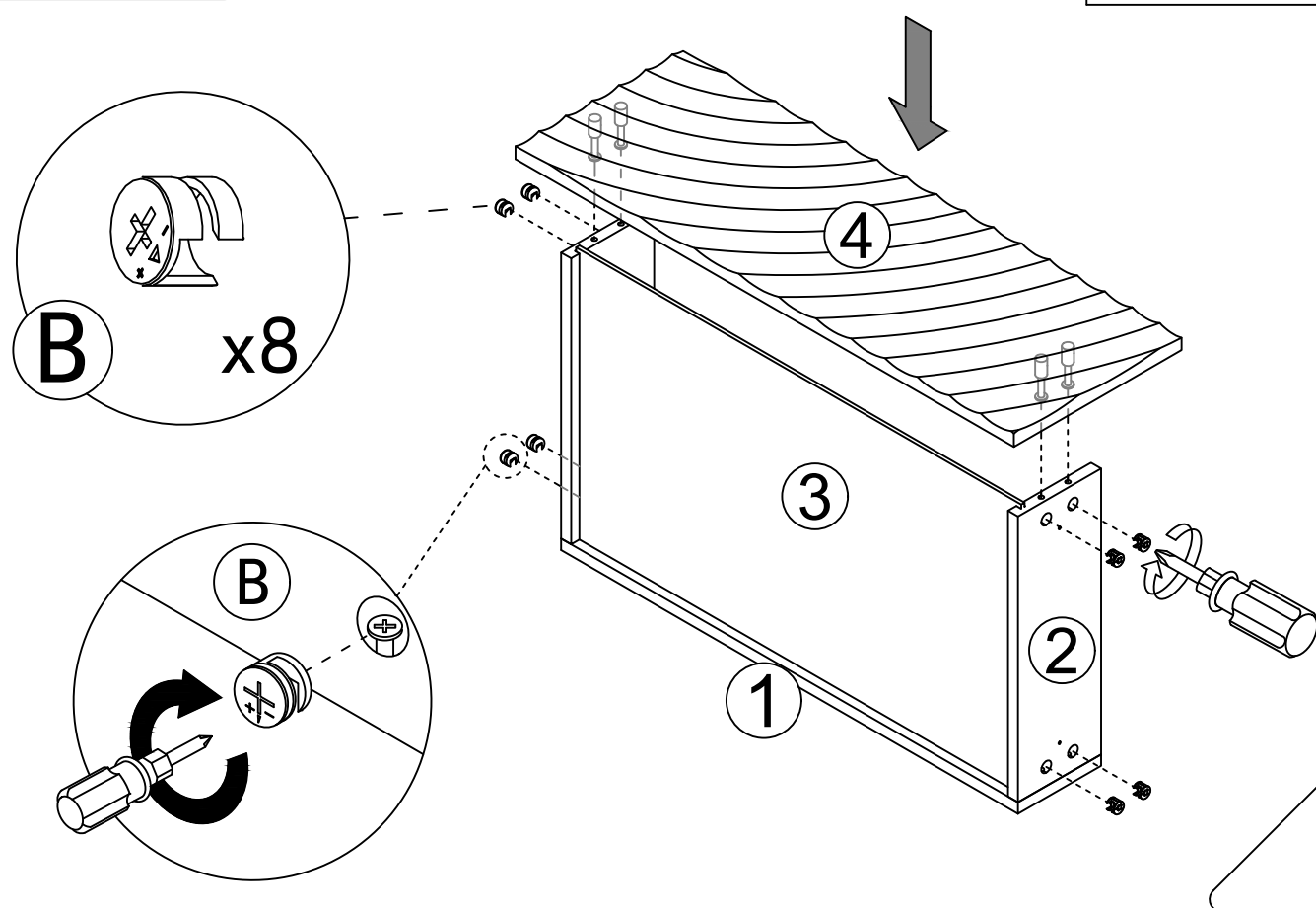
## Step 3



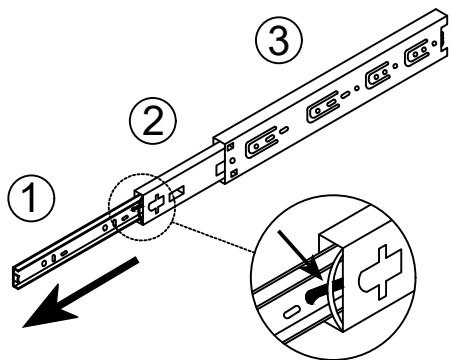
Step 4



Step 5

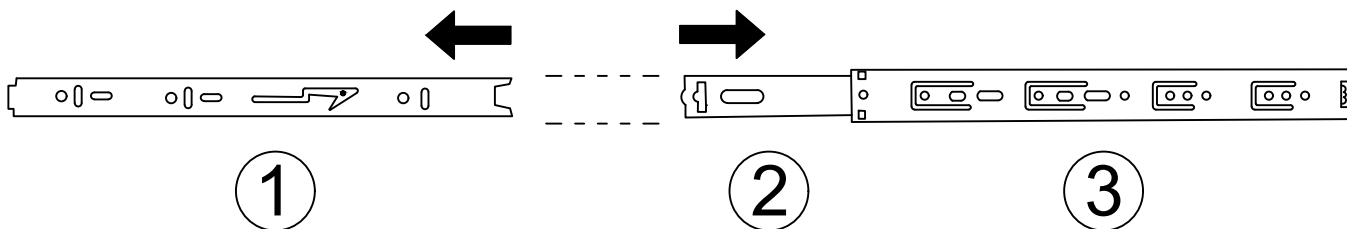
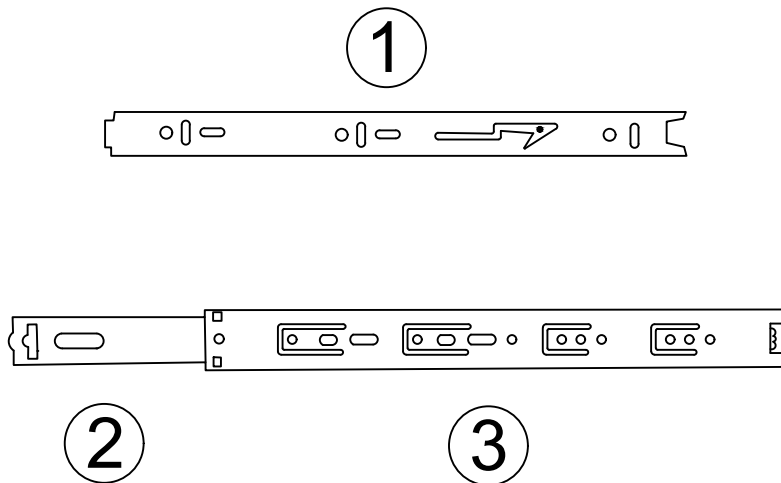


Drawer rail breakdown diagram

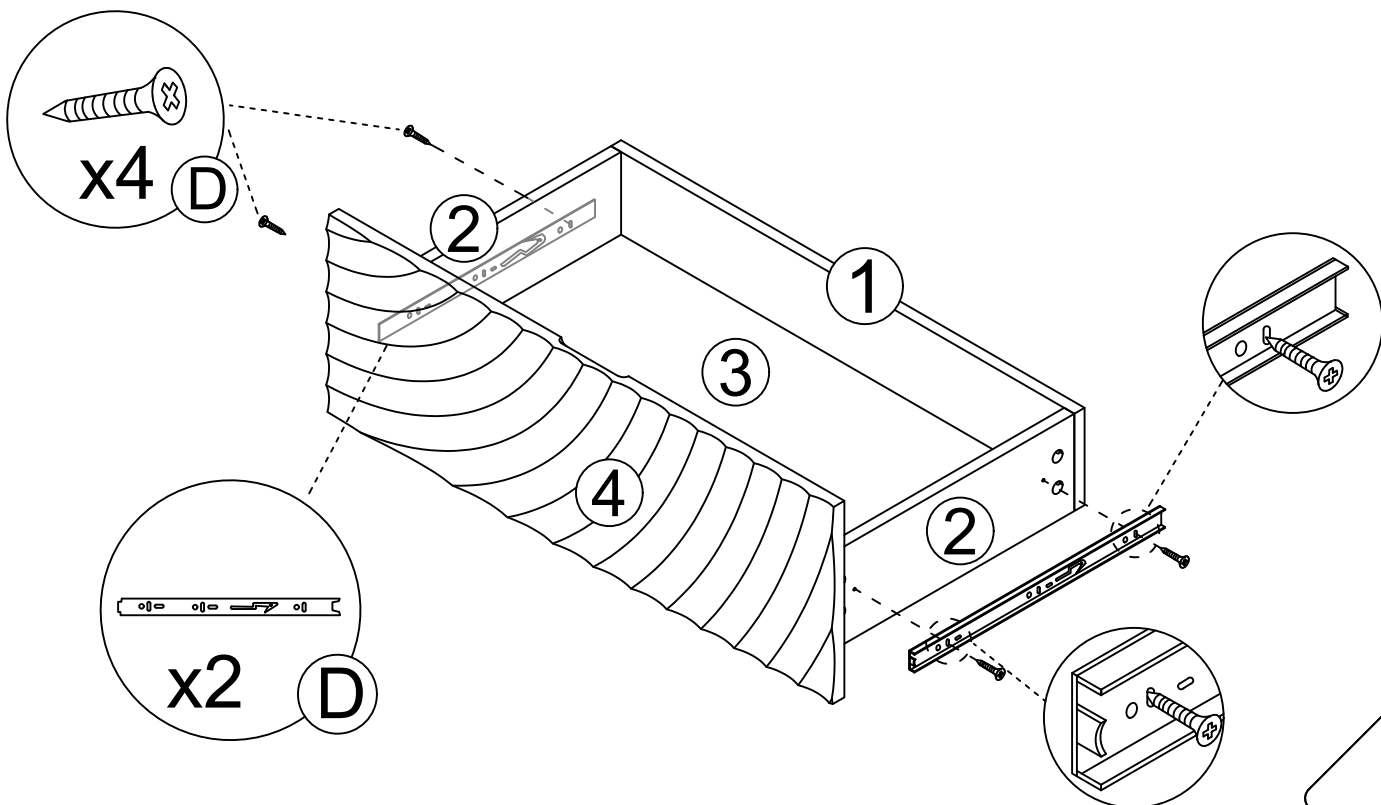
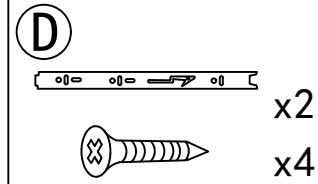
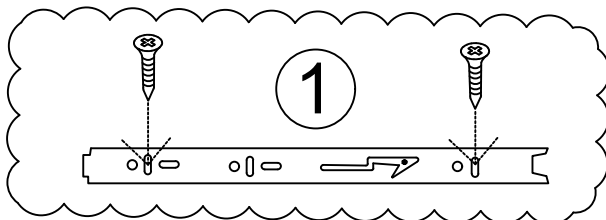


Step 1 : Pull the rails apart

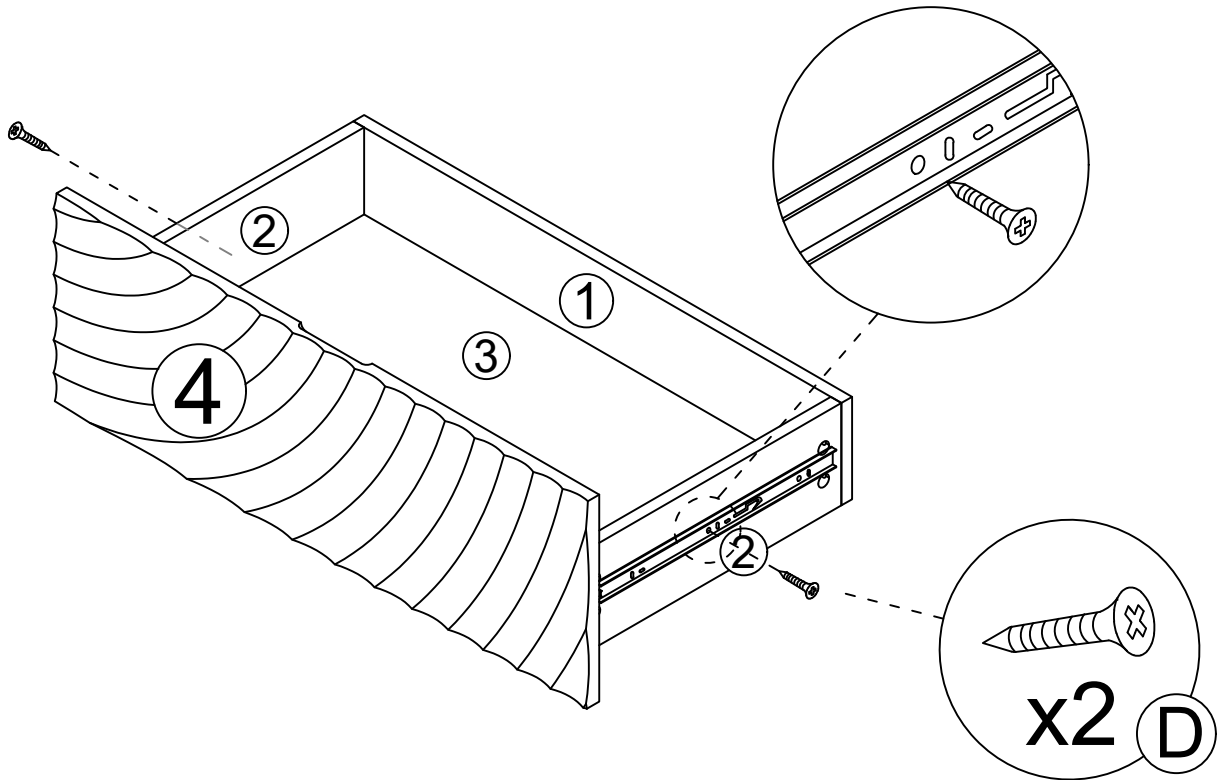
Step 2 : Push the nylon buckle outward ①



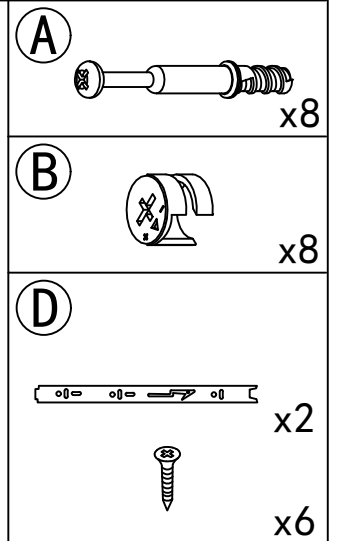
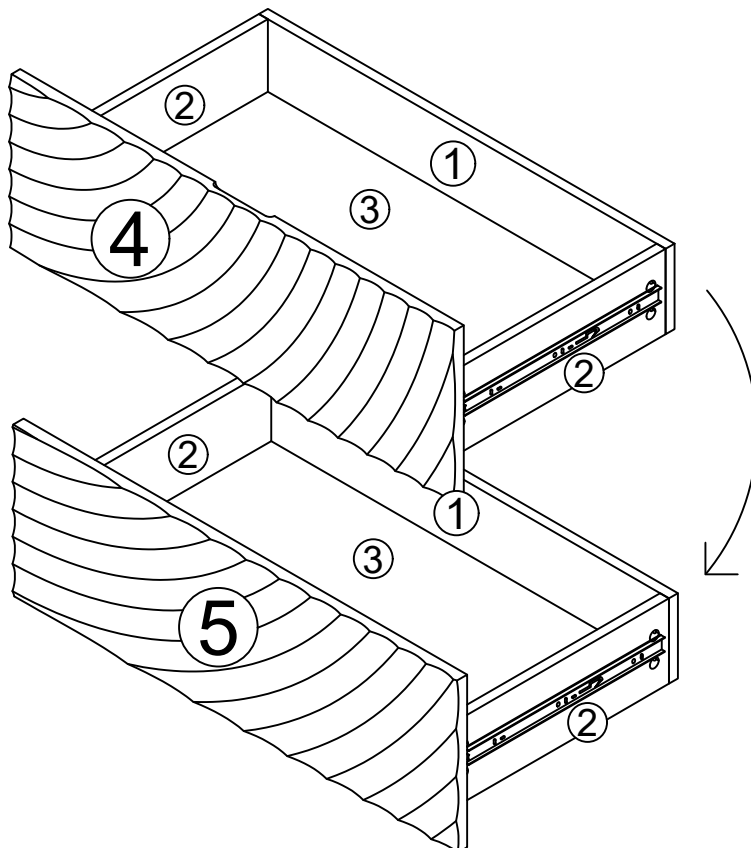
Step 6



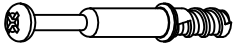



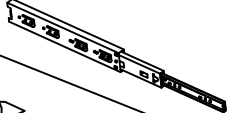

# Step 7

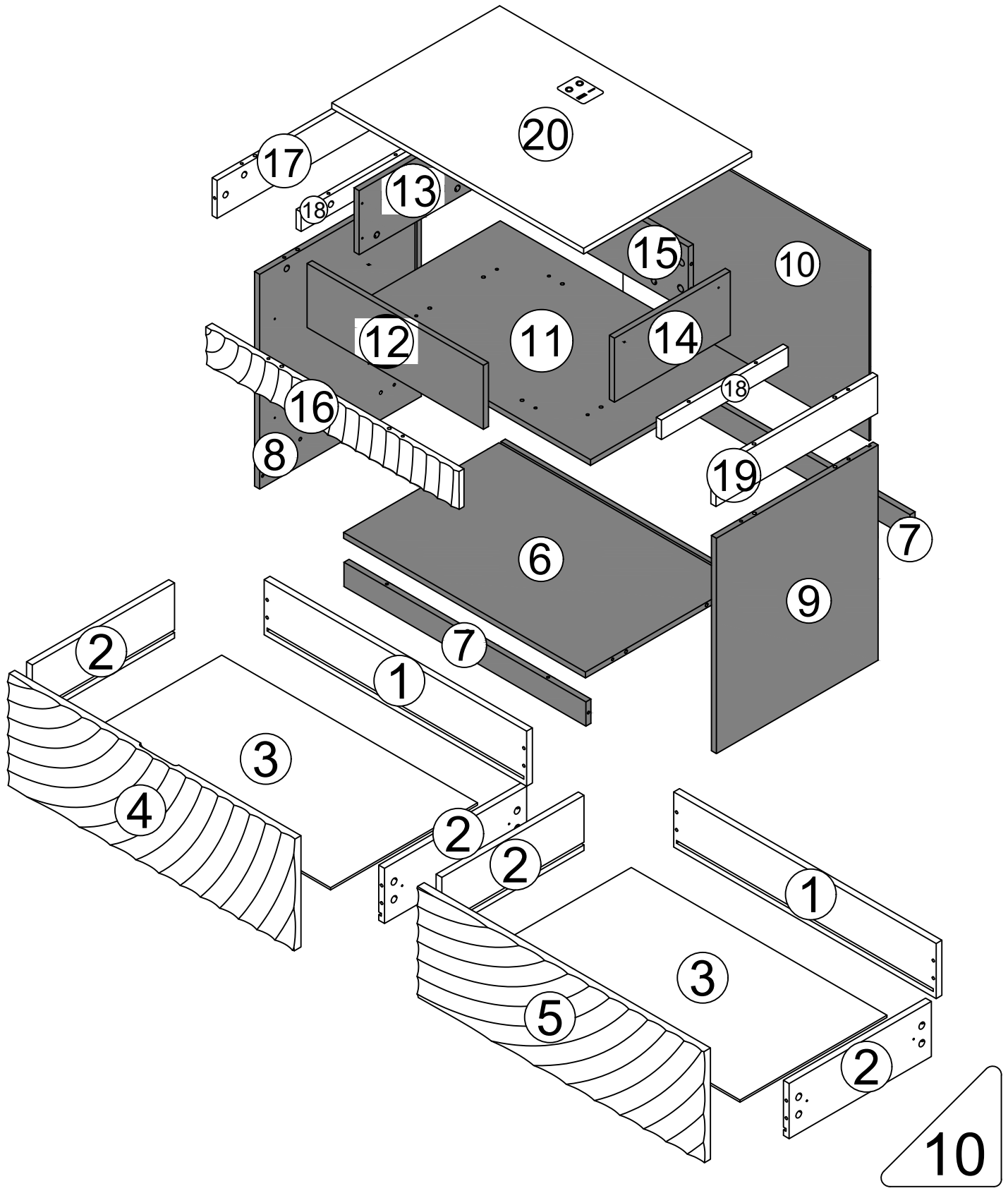


This hole is for strengthening fixed hole customers can choose to install according to their needs.

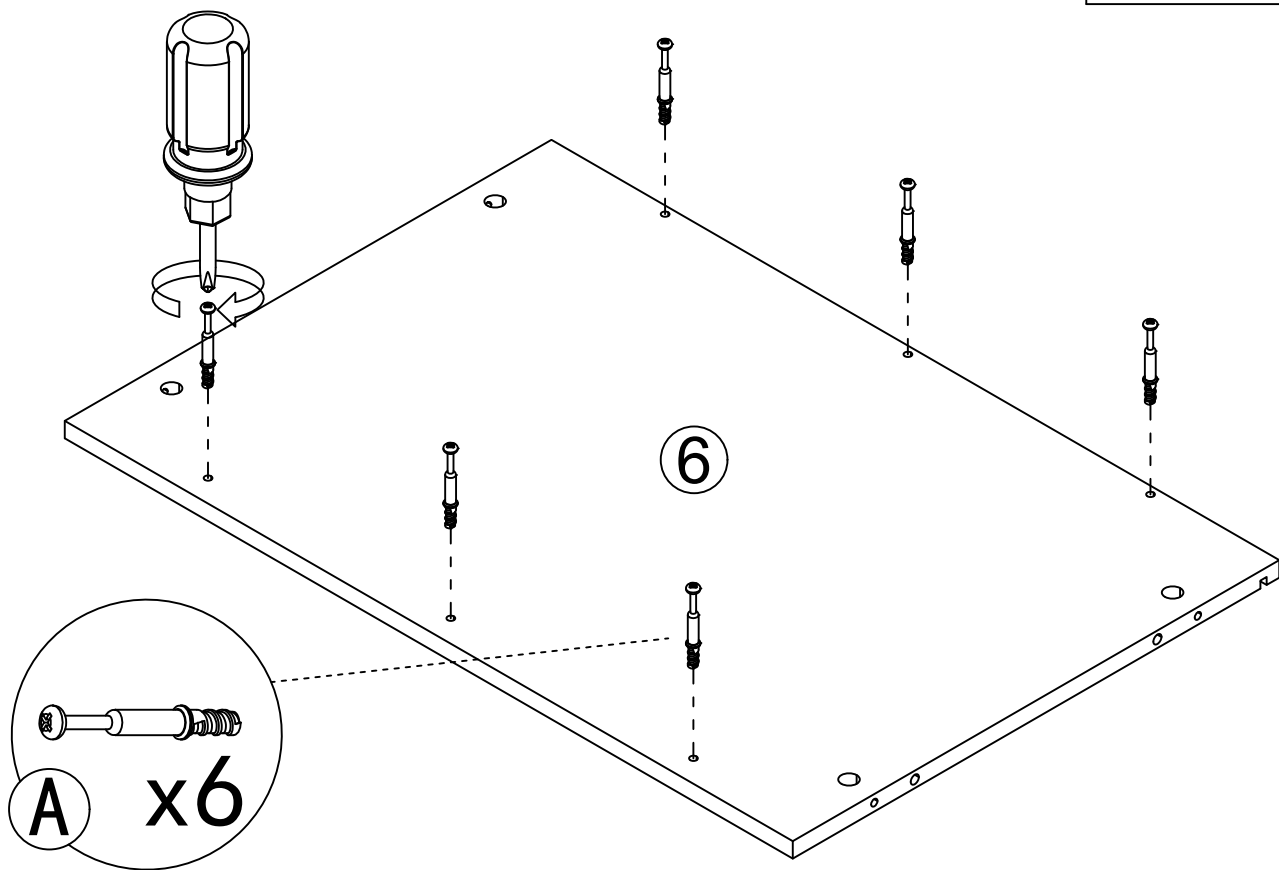
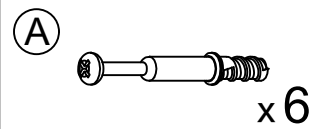


The installation method for the other drawer is the same

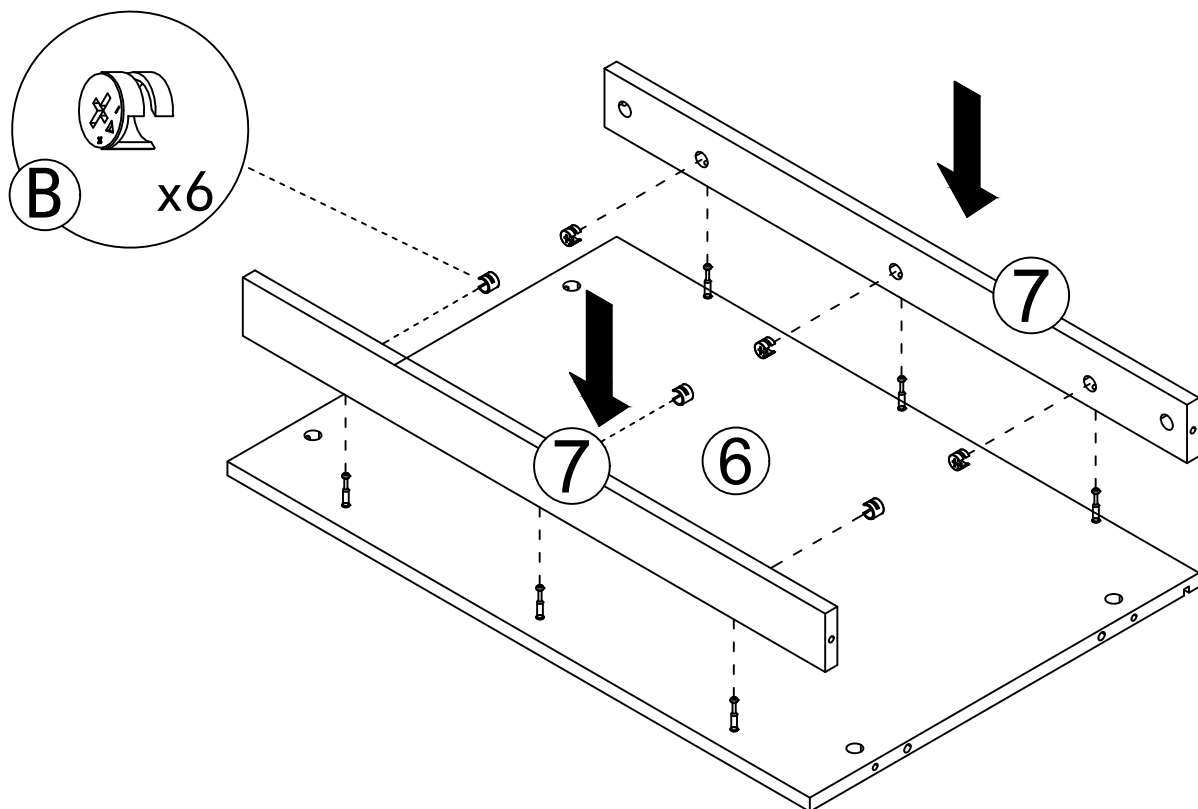
A		34pcs	C		16pcs
B		34pcs	D	 	6pcs 18pcs
G		8pcs			



Step 8

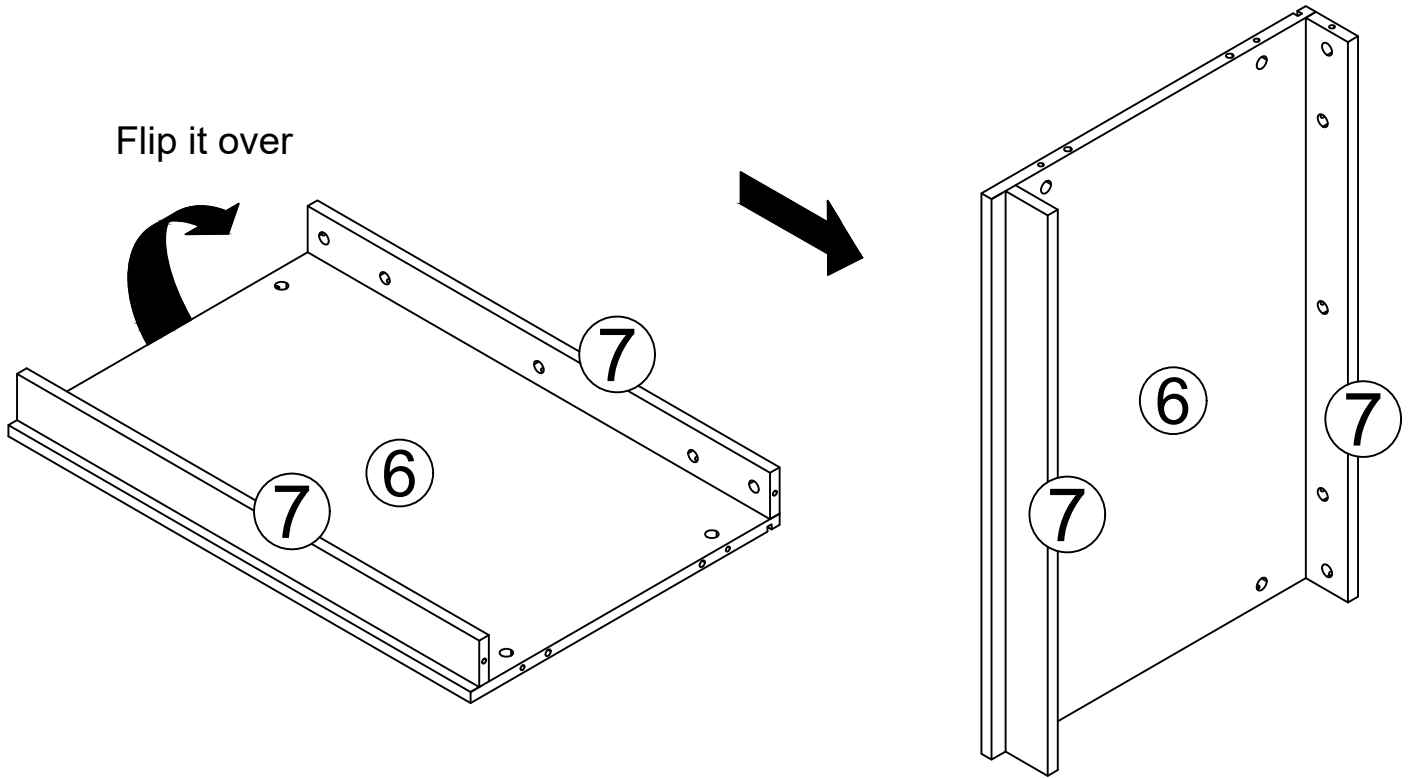


Step 9

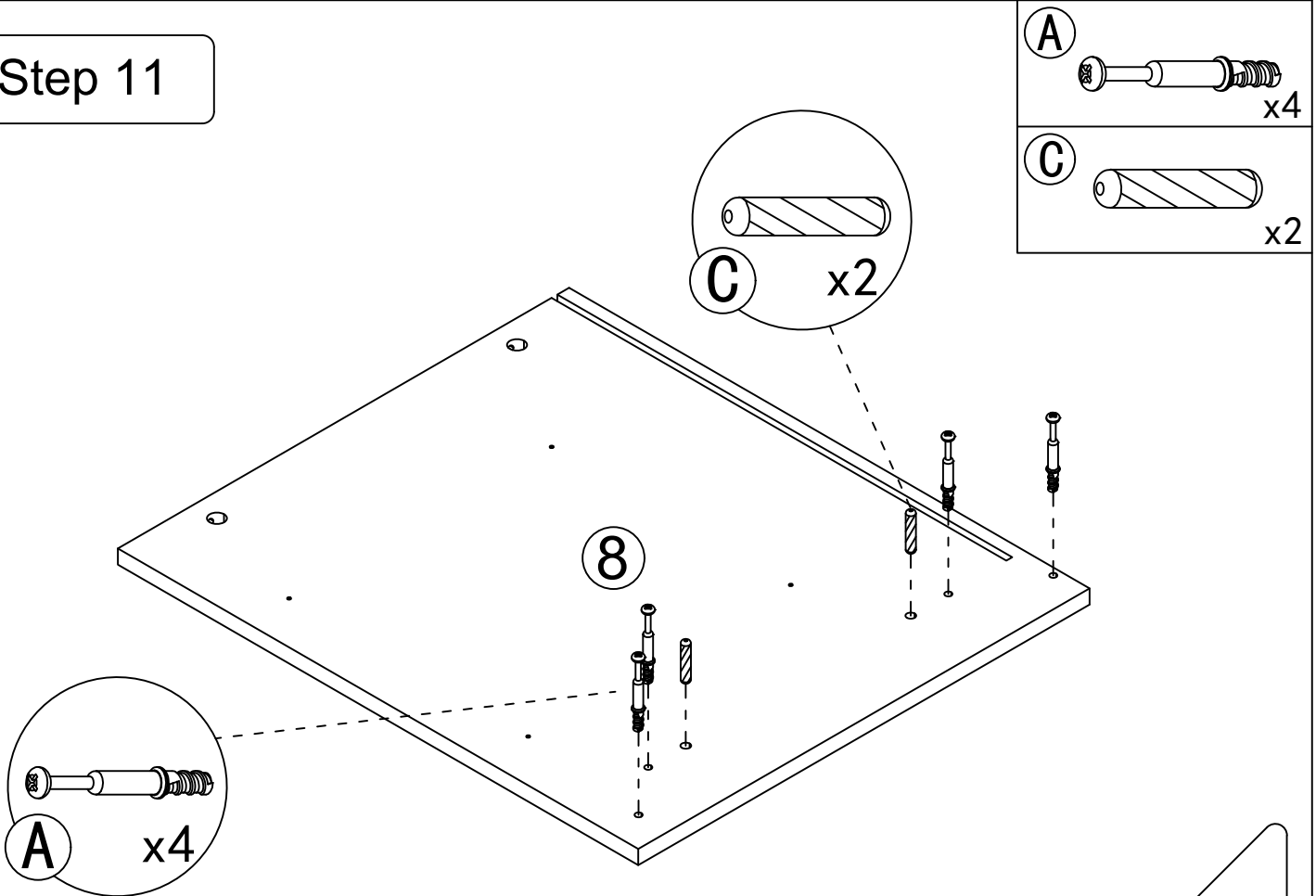


# Step 10

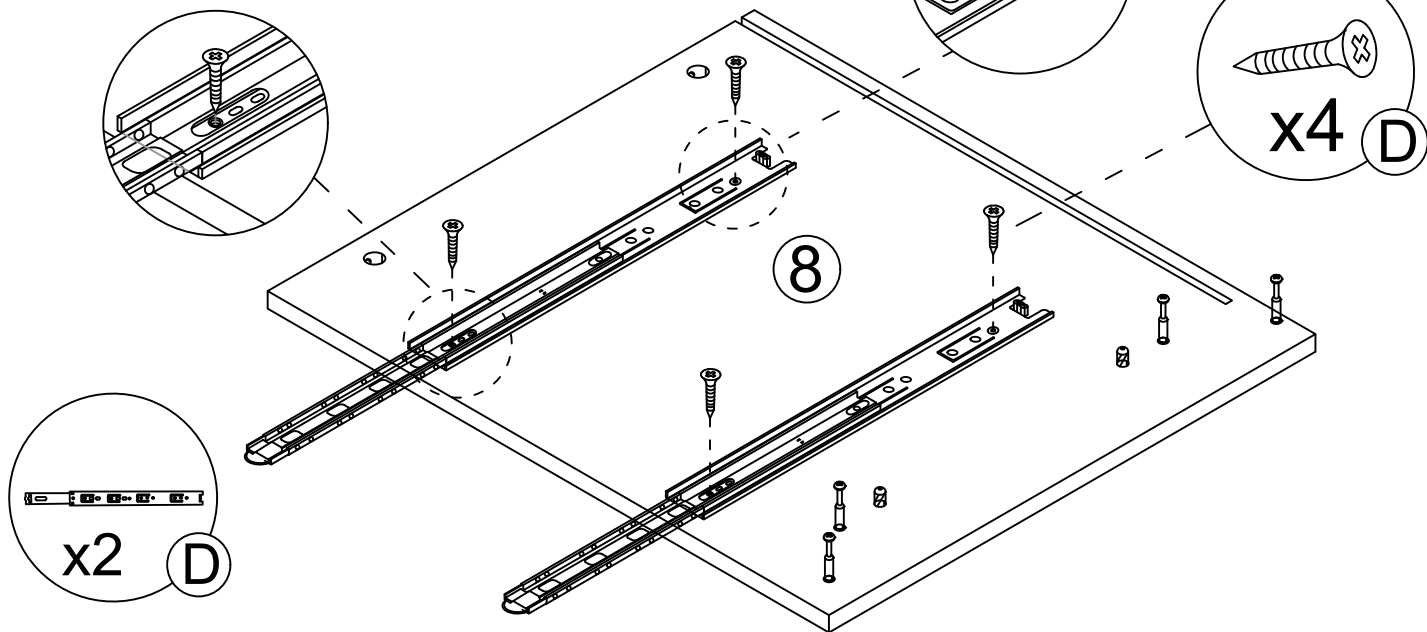
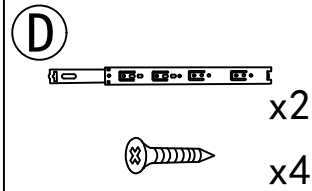
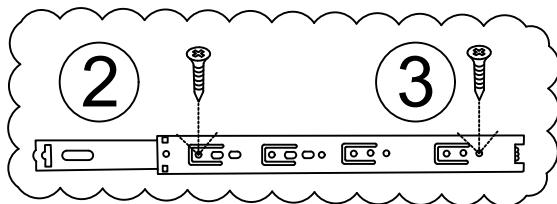
Flip it over



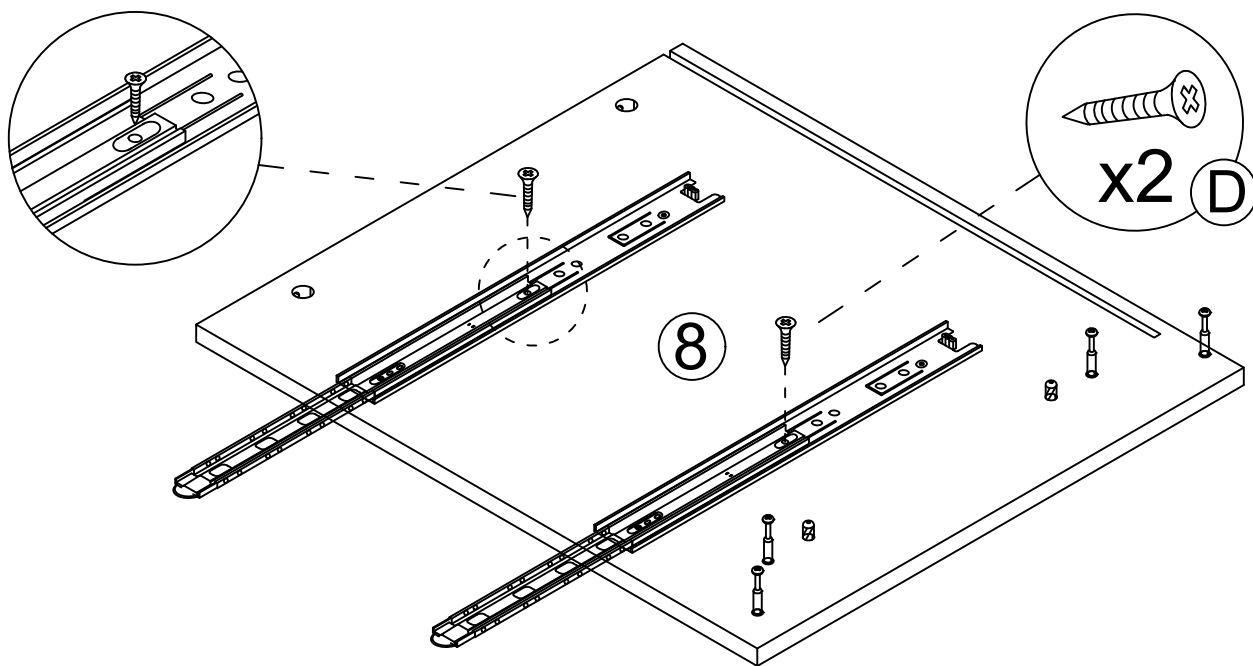
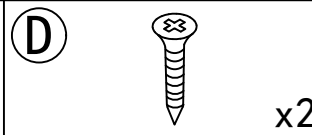
# Step 11



# Step 12


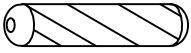



# Step 13

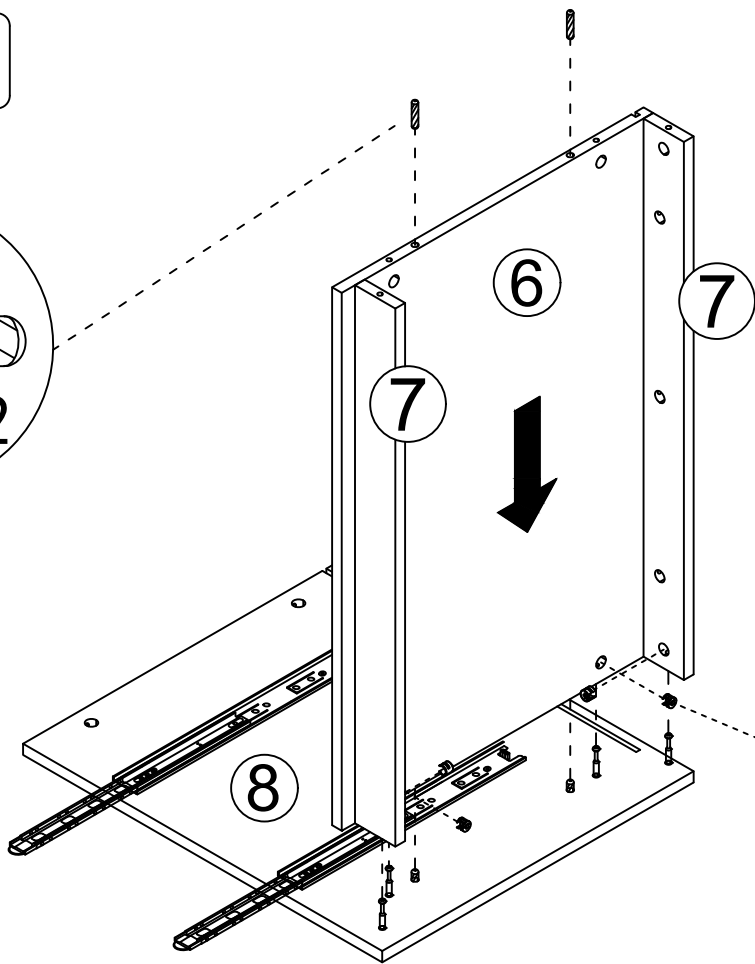



This hole is for strengthening fixed hole customers can choose to install according to their needs.

# Step 14

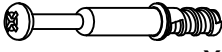
- (B)  x4
- (C)  x2

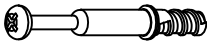
- (C)  x2

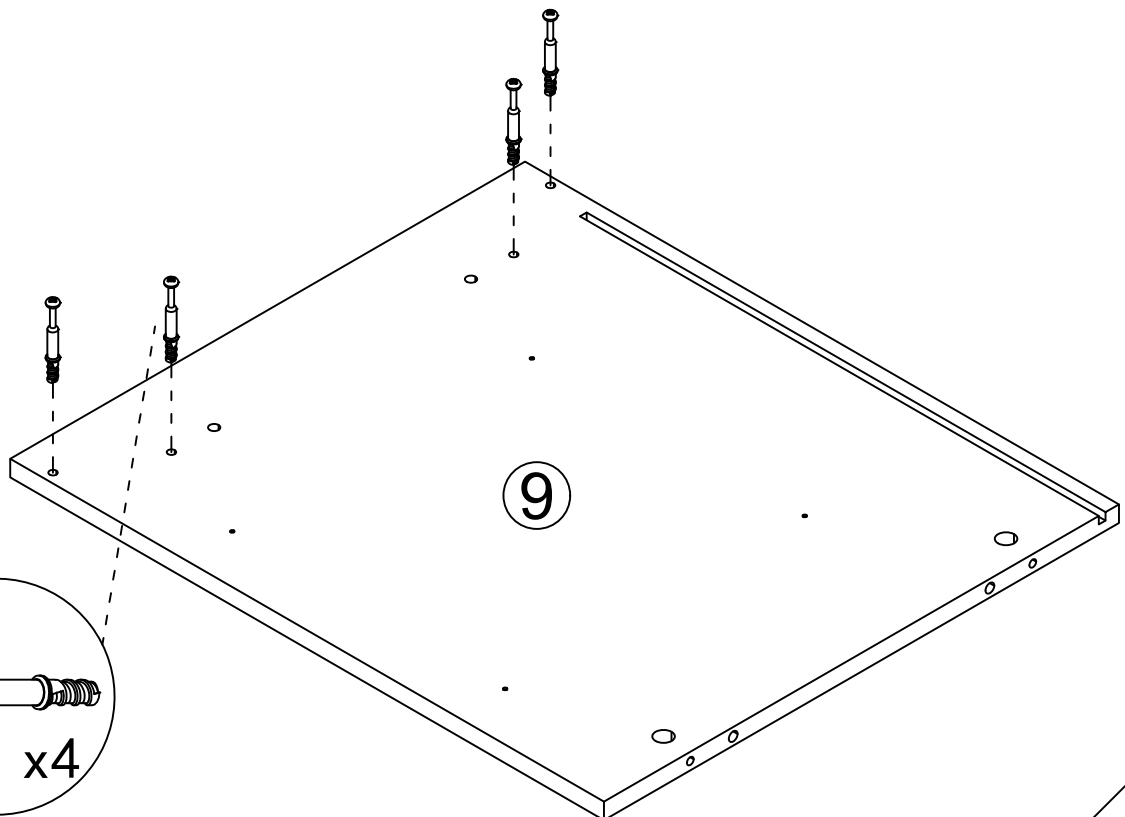


- (B)  x4

# Step 15

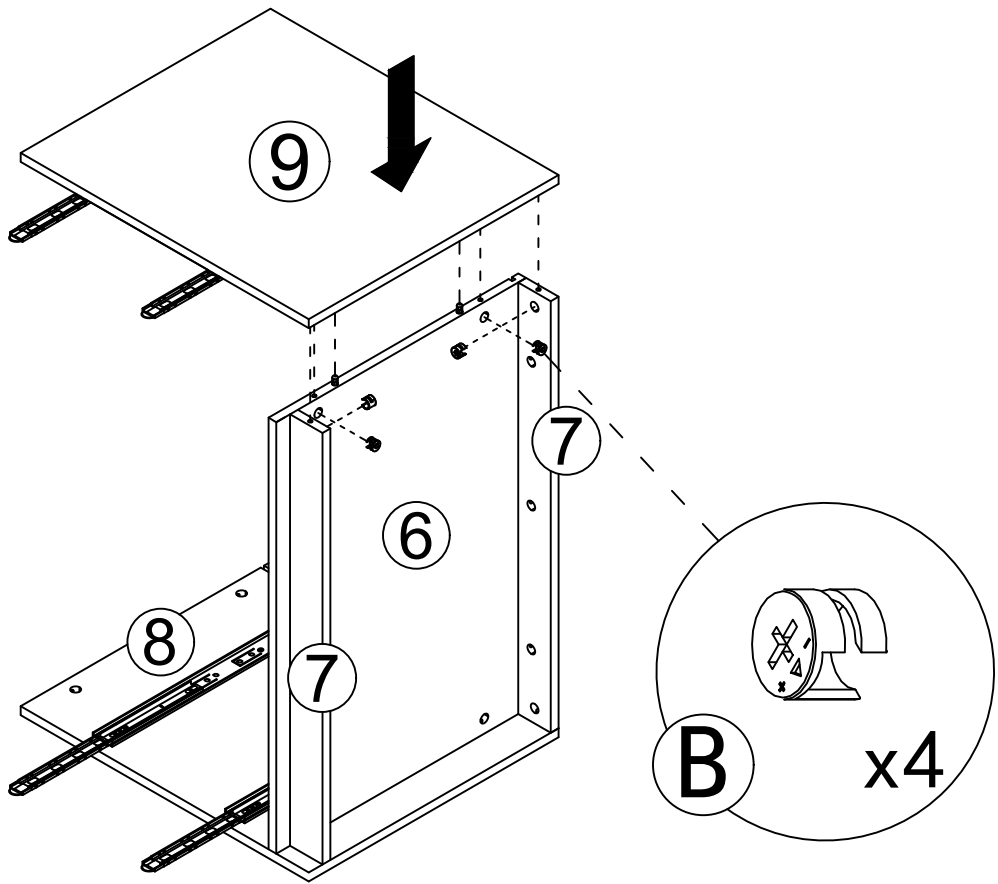
- (A)  x4

- (A)  x4

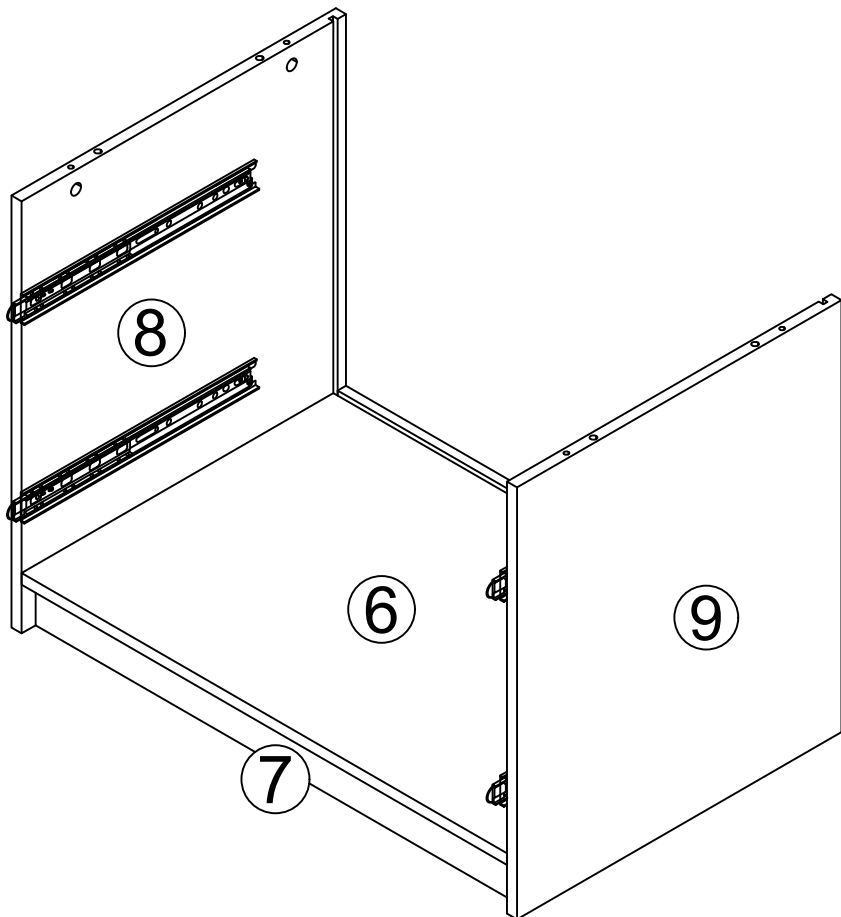




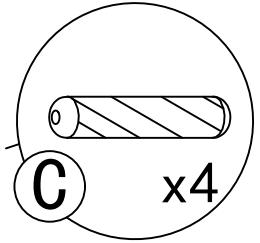
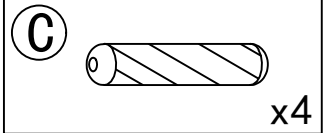
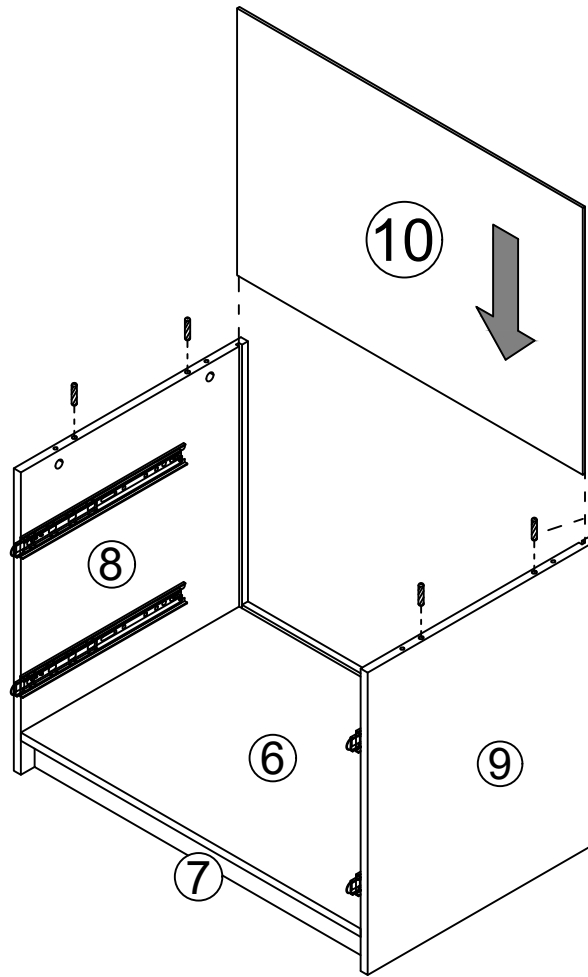
Step 18



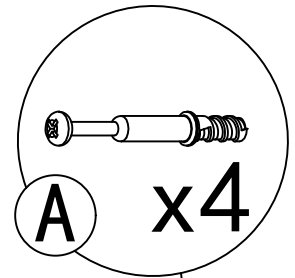
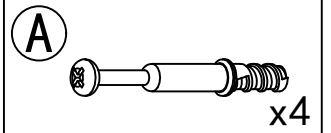
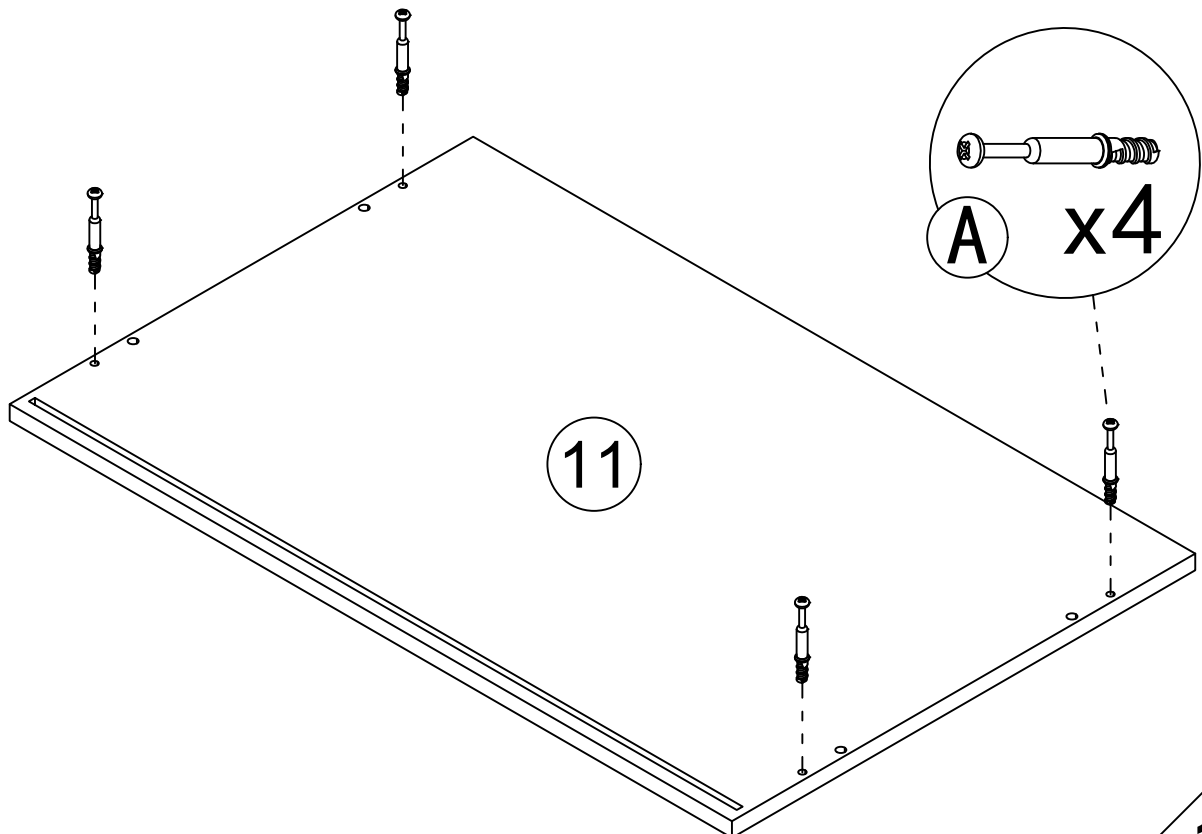
Step 19



Step 20

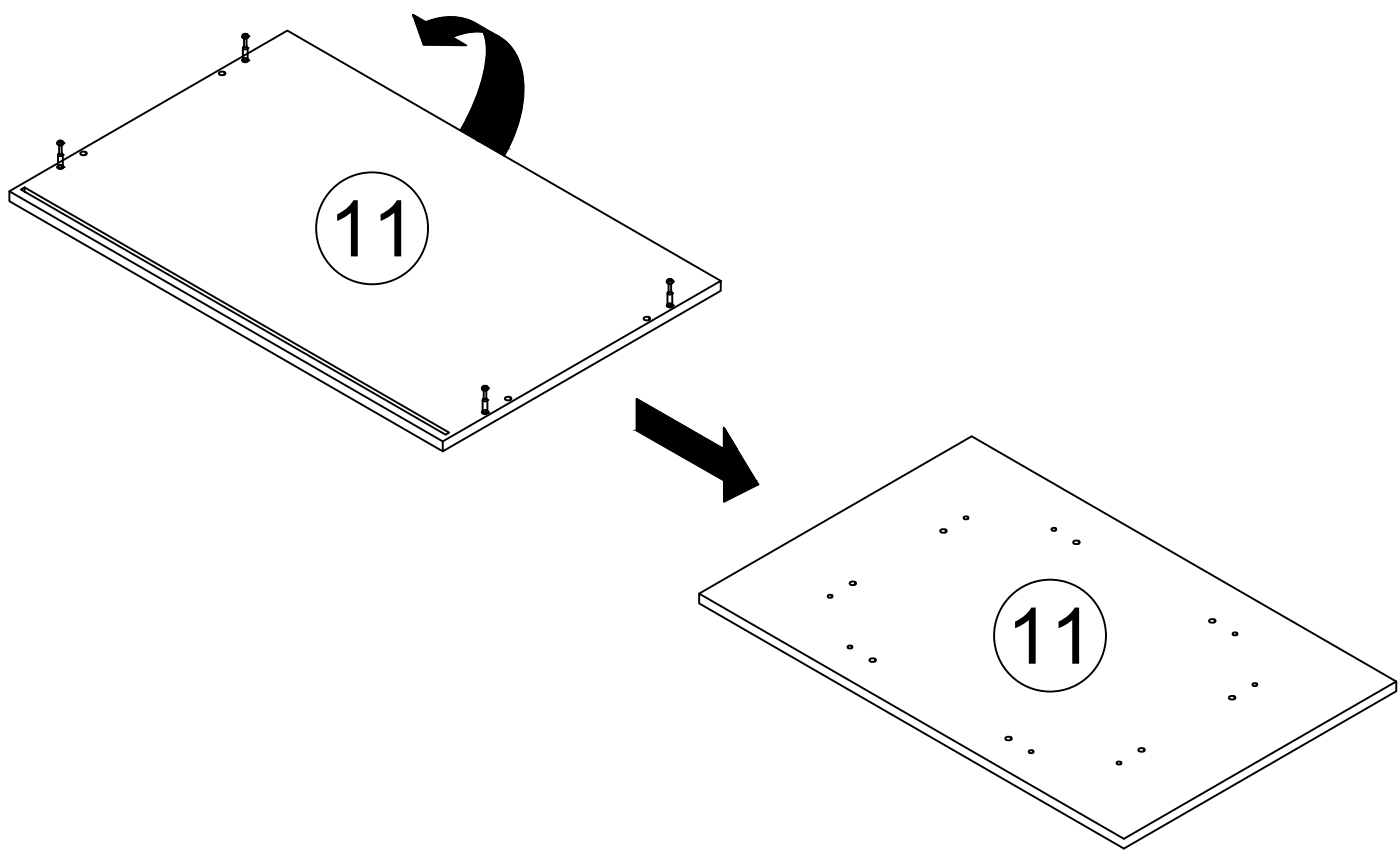


Step 21

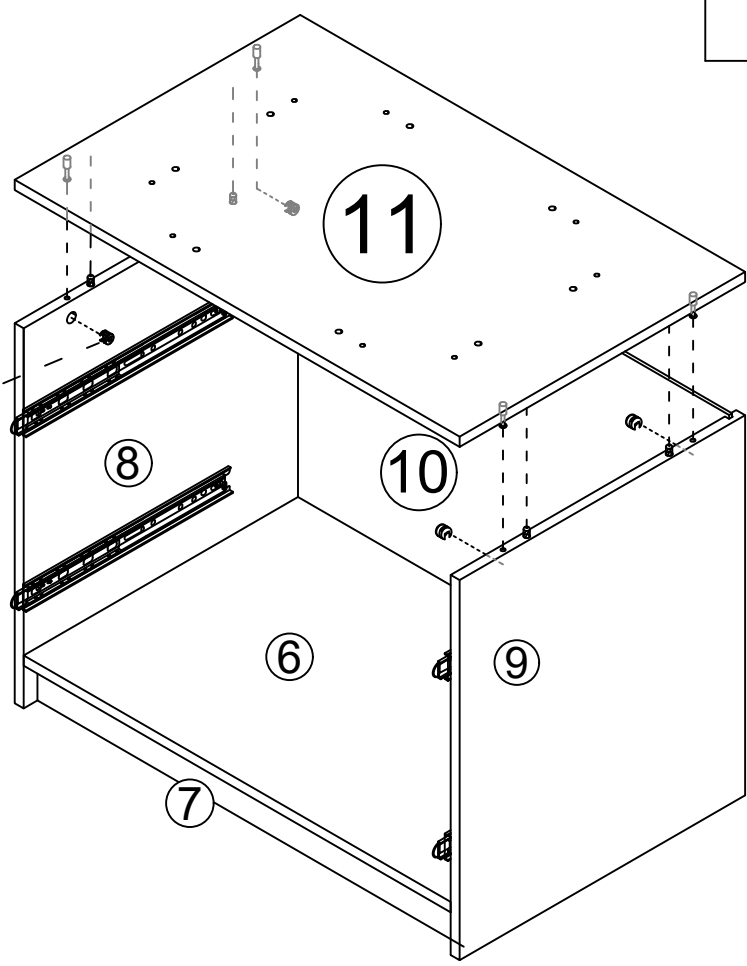
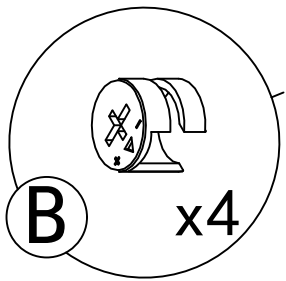
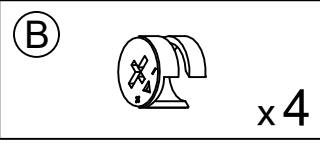


# Step 22

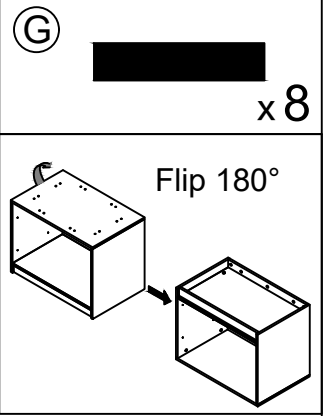
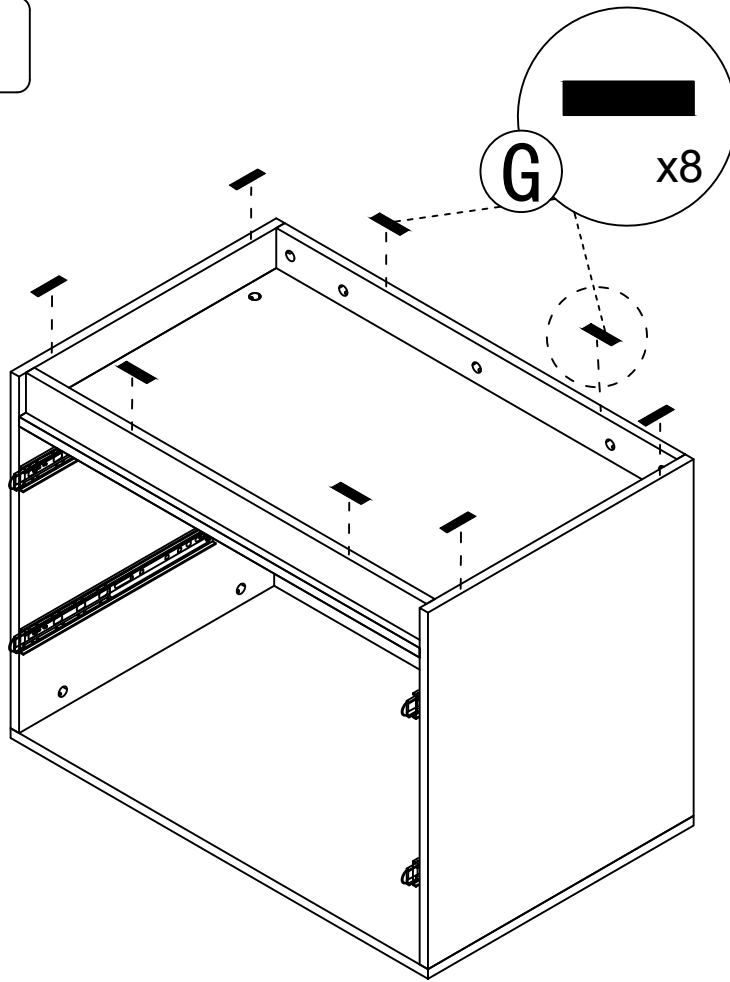
Flip it over



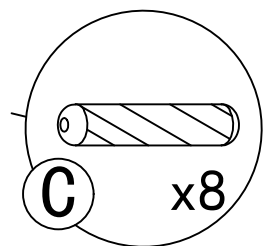
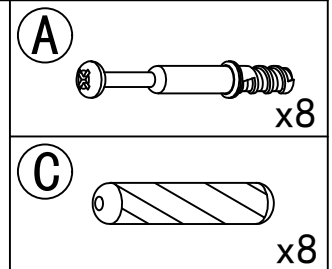
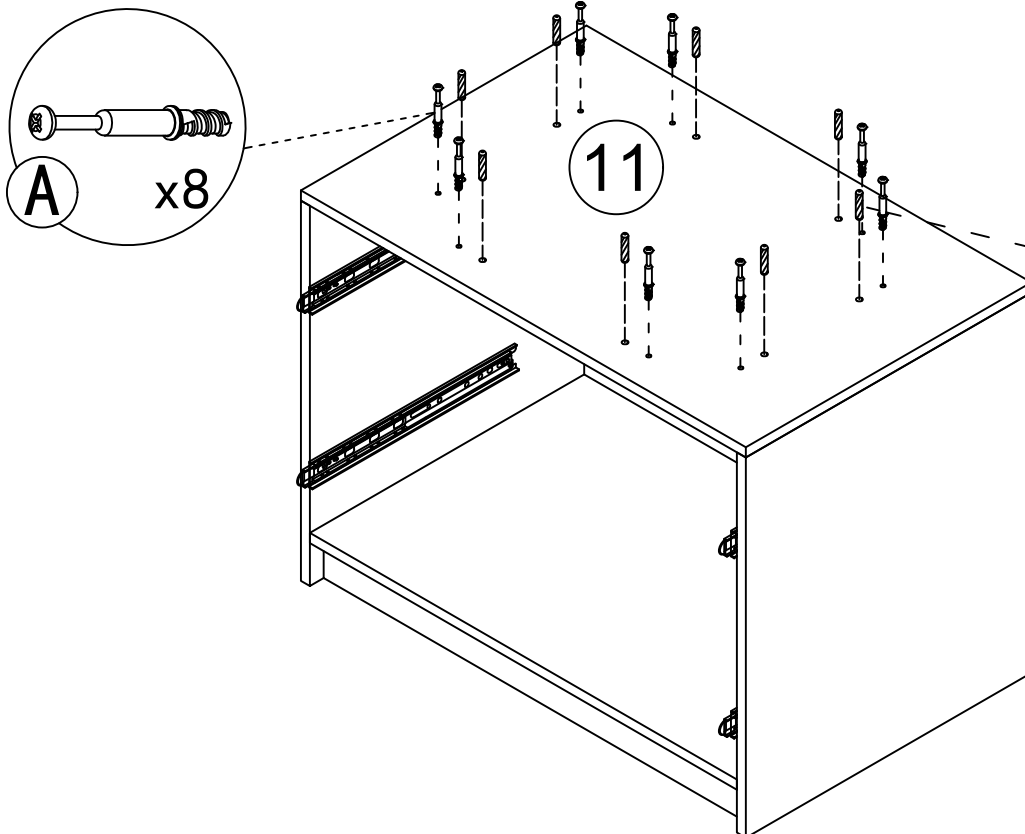
# Step 23



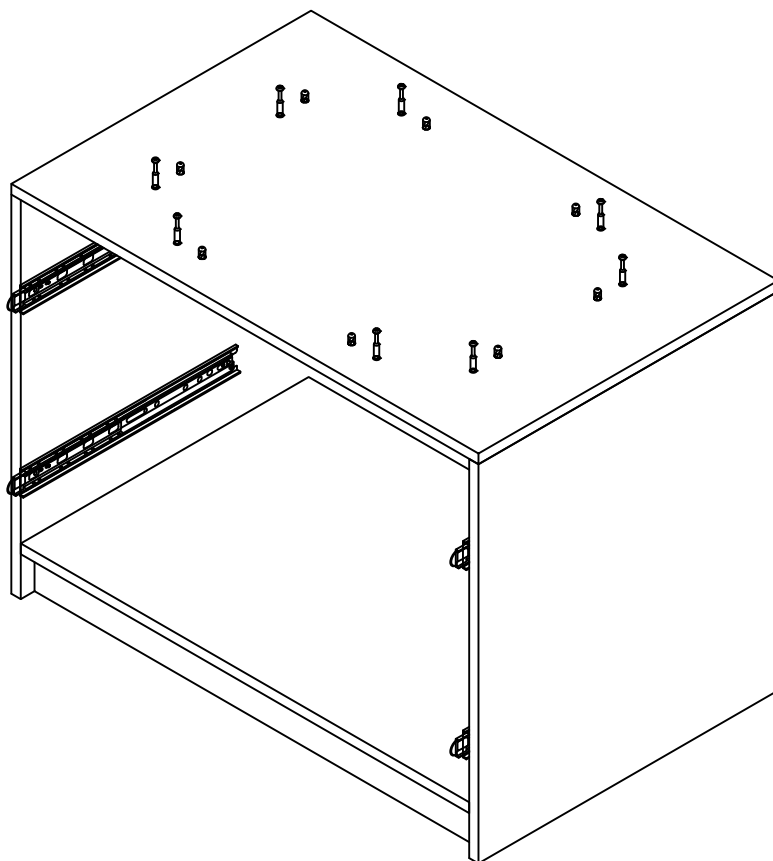
# Step 24



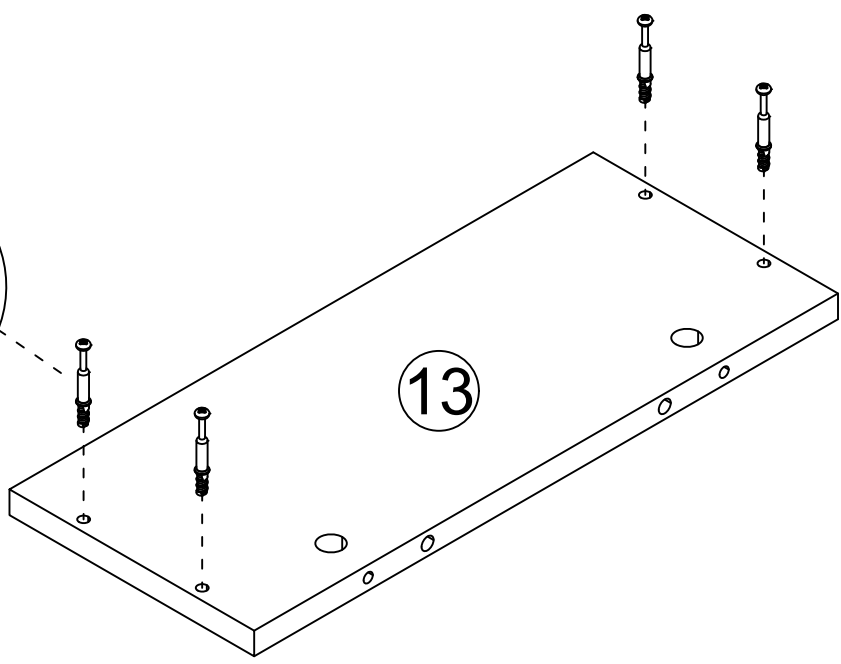
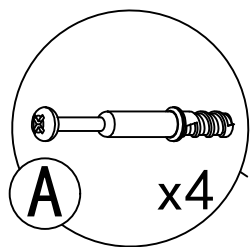
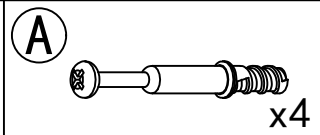
# Step 25



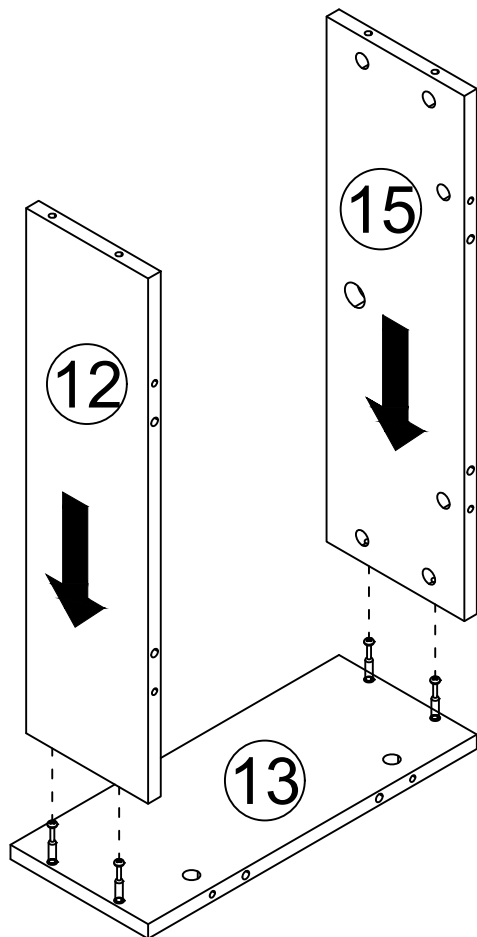
# Step 26



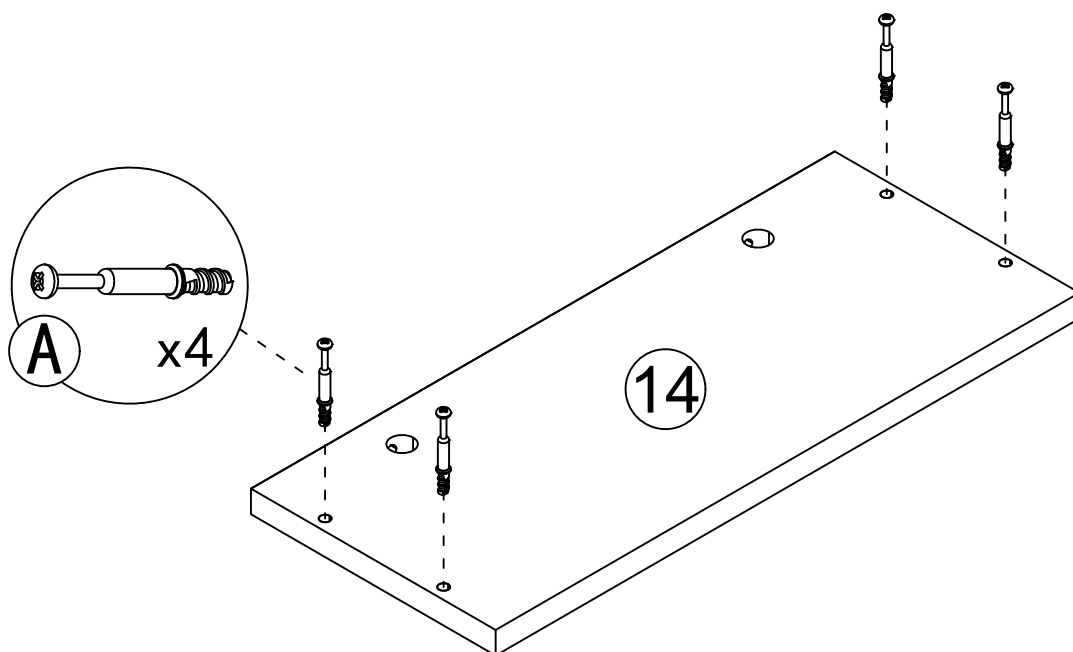
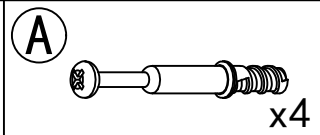
# Step 27



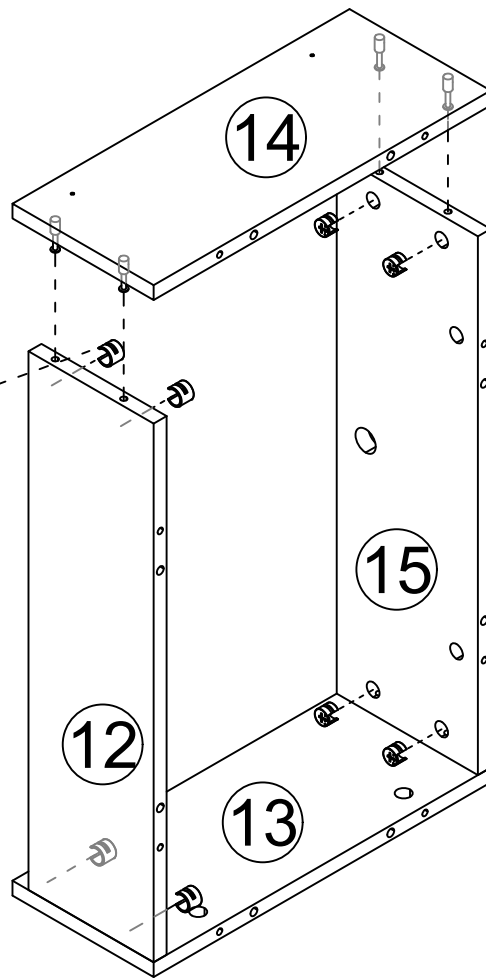
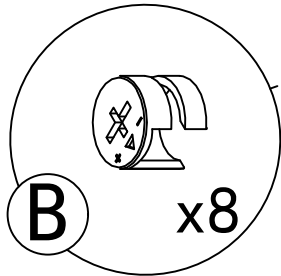
# Step 28



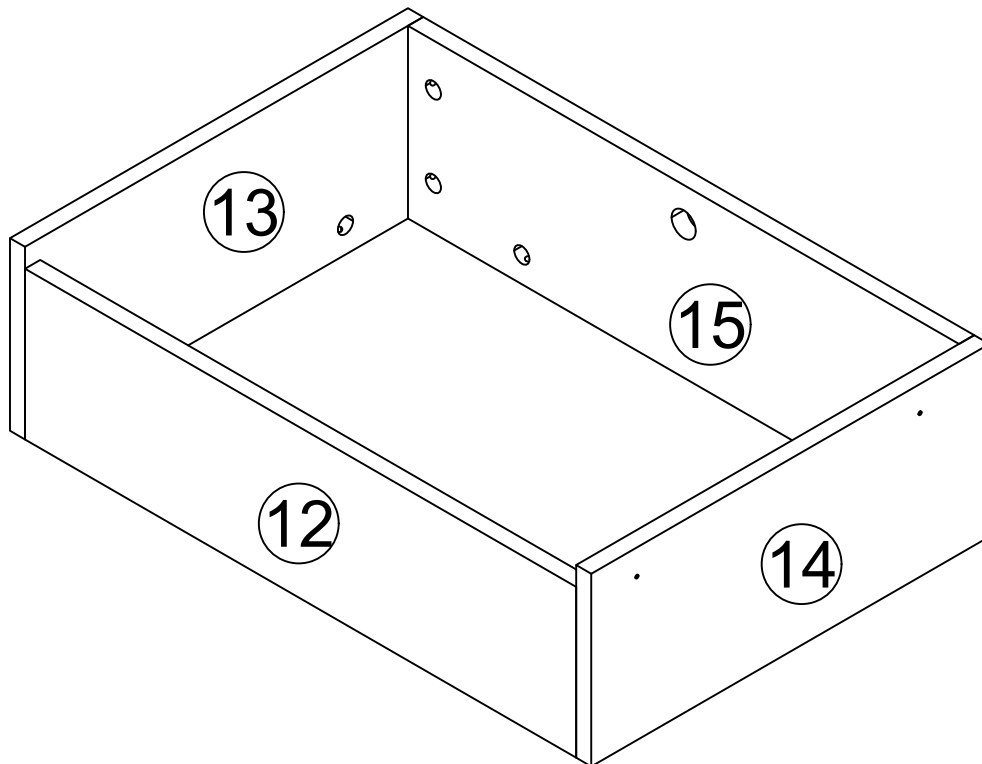
# Step 29



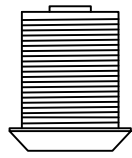
Step 30



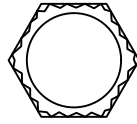
Step 31



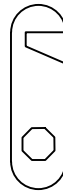
# The decomposition of the lock



①



②



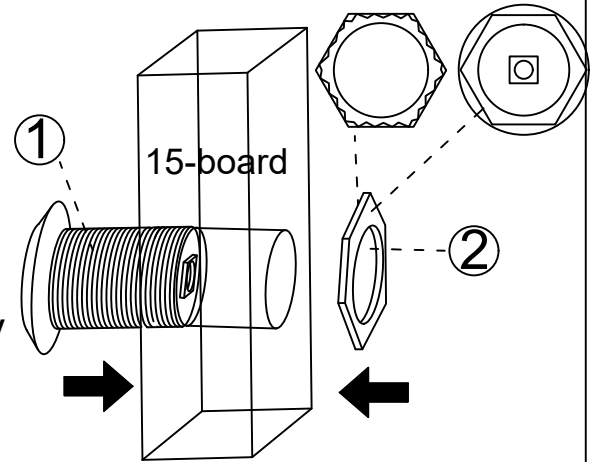
③



④

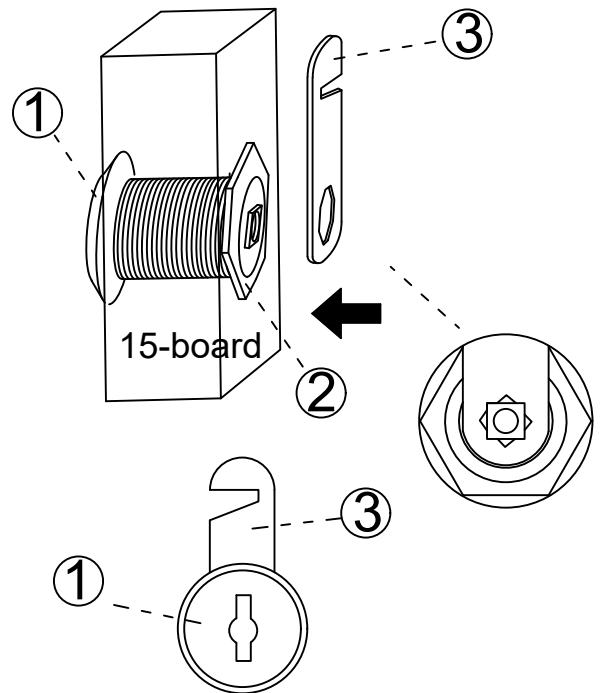
## Step 1

1. Facing the direction of the keyhole position with the teeth, clamp the wooden board tightly
2. Insert part 1 into the hole of the K plate first, and then lock the hex nut



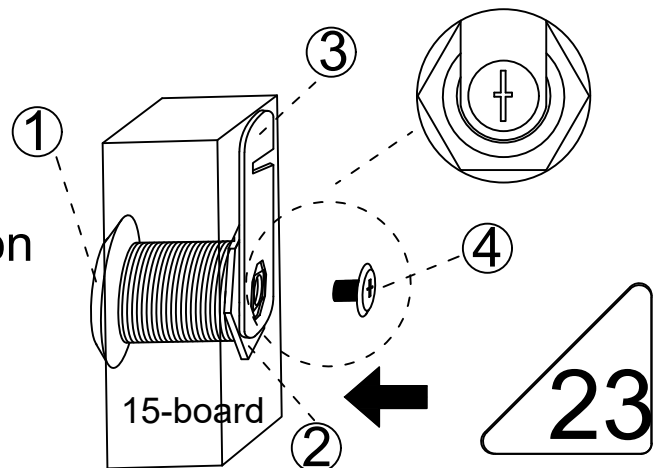
## Step 2

1. Clip part 3 into the tail of part 1
2. The hole position of the key and the direction of the iron plate are the same

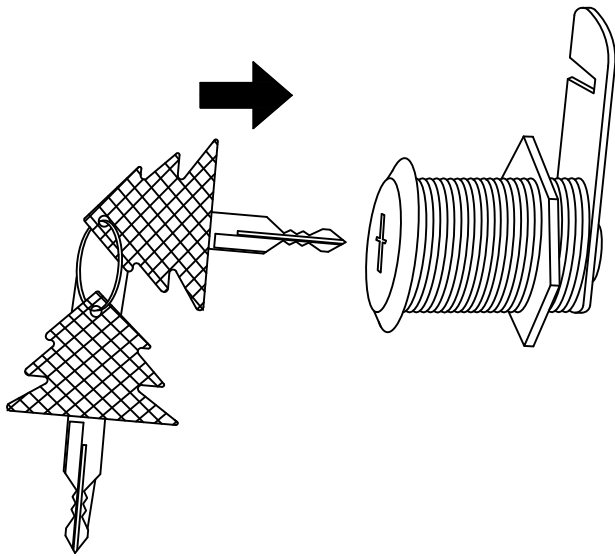


## Step 3

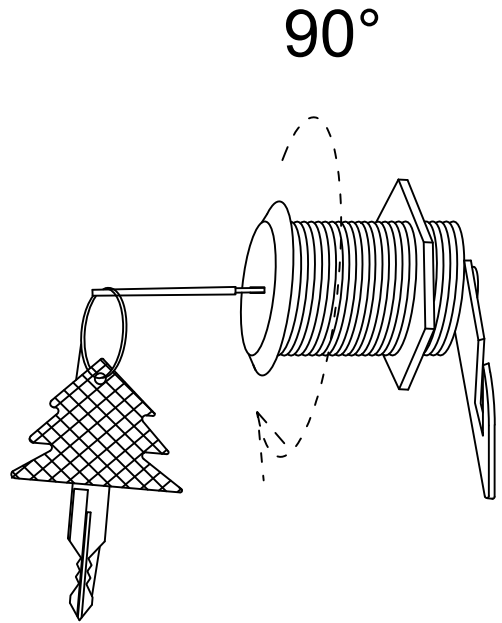
1. Twist screw 4 into the hole position at the tail of 1



# Unlock steps



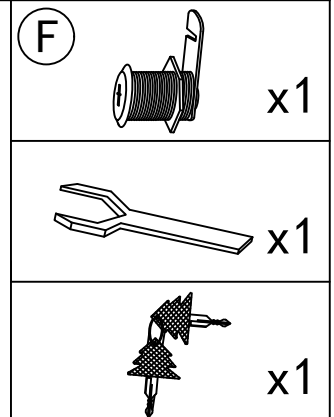
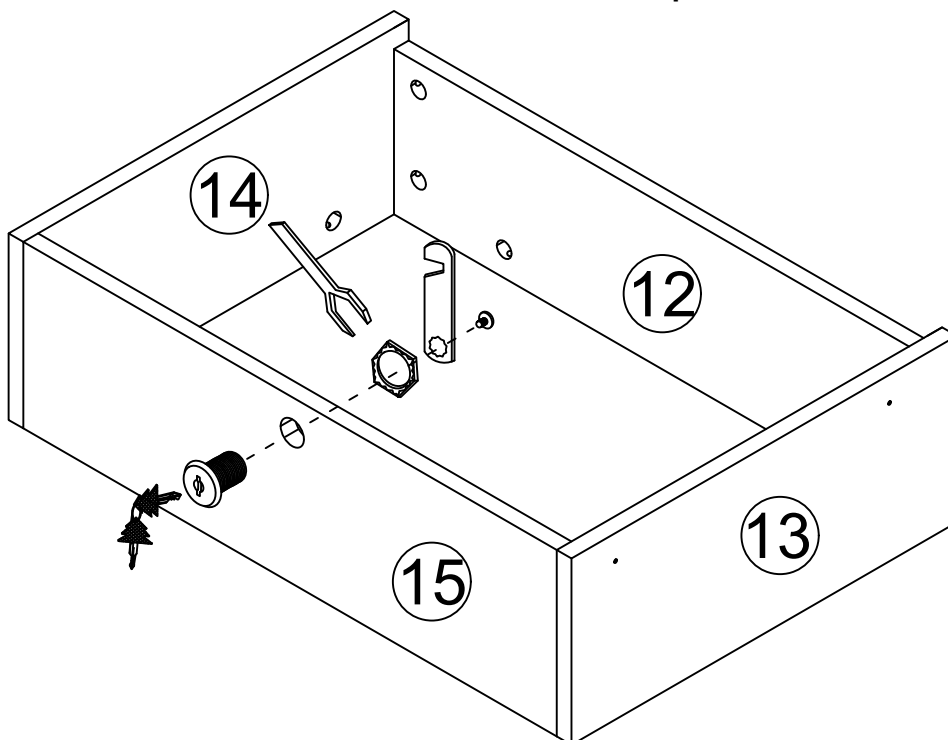
lock



Unlock

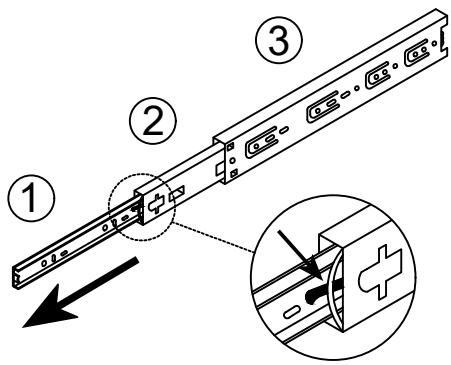
## Step 32

Pay attention to the direction of the hole position

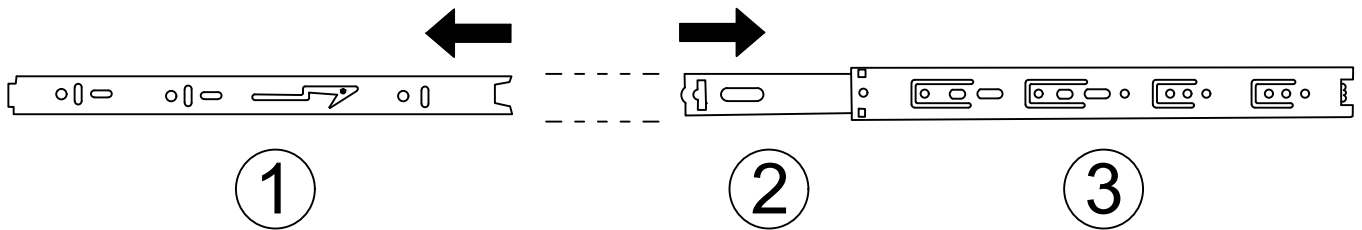
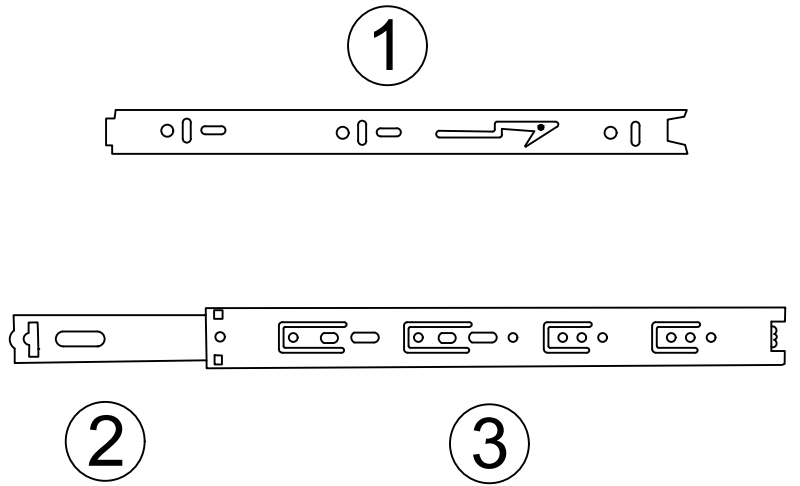


Lock the hex nut with a wrench

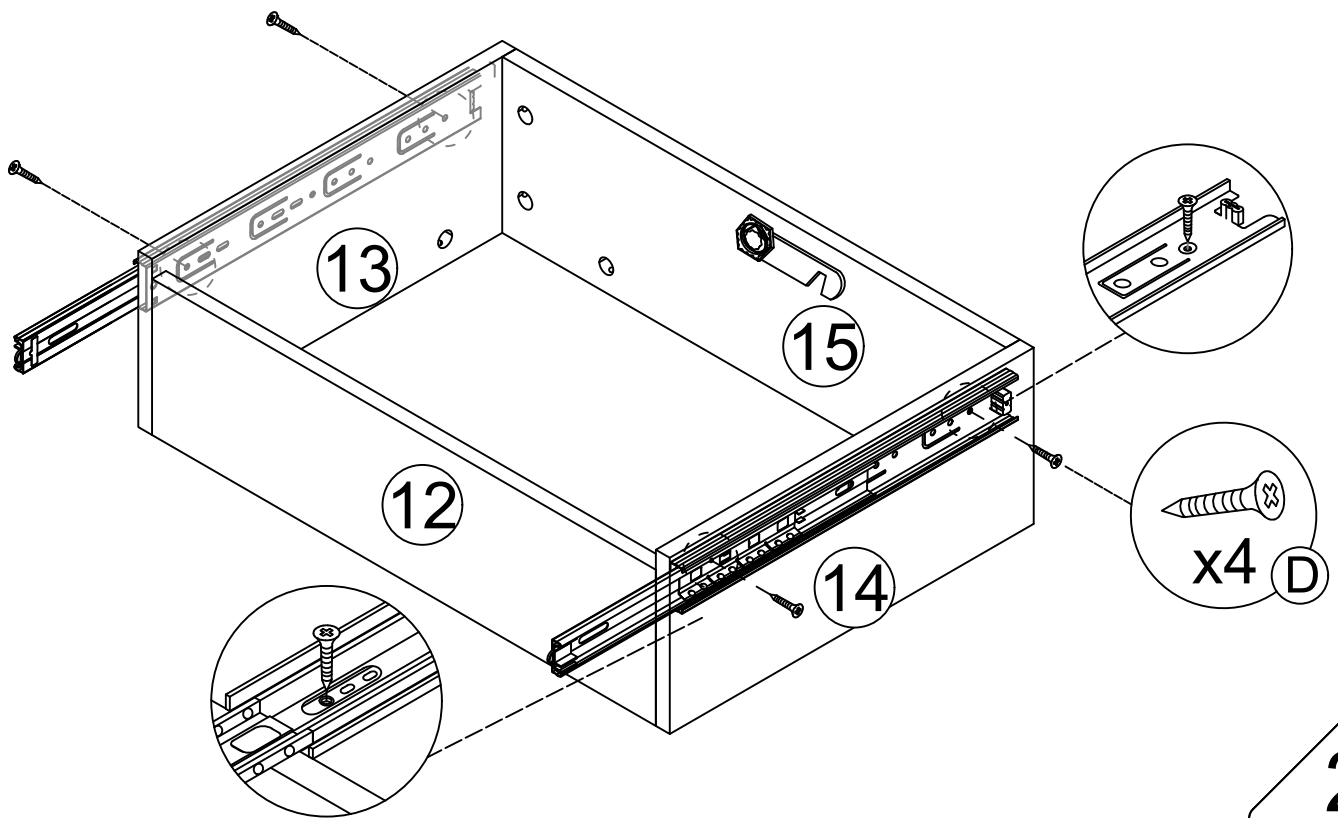
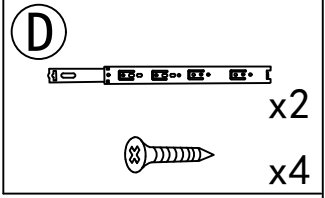
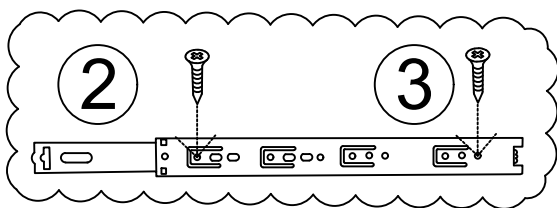
Drawer rail breakdown diagram



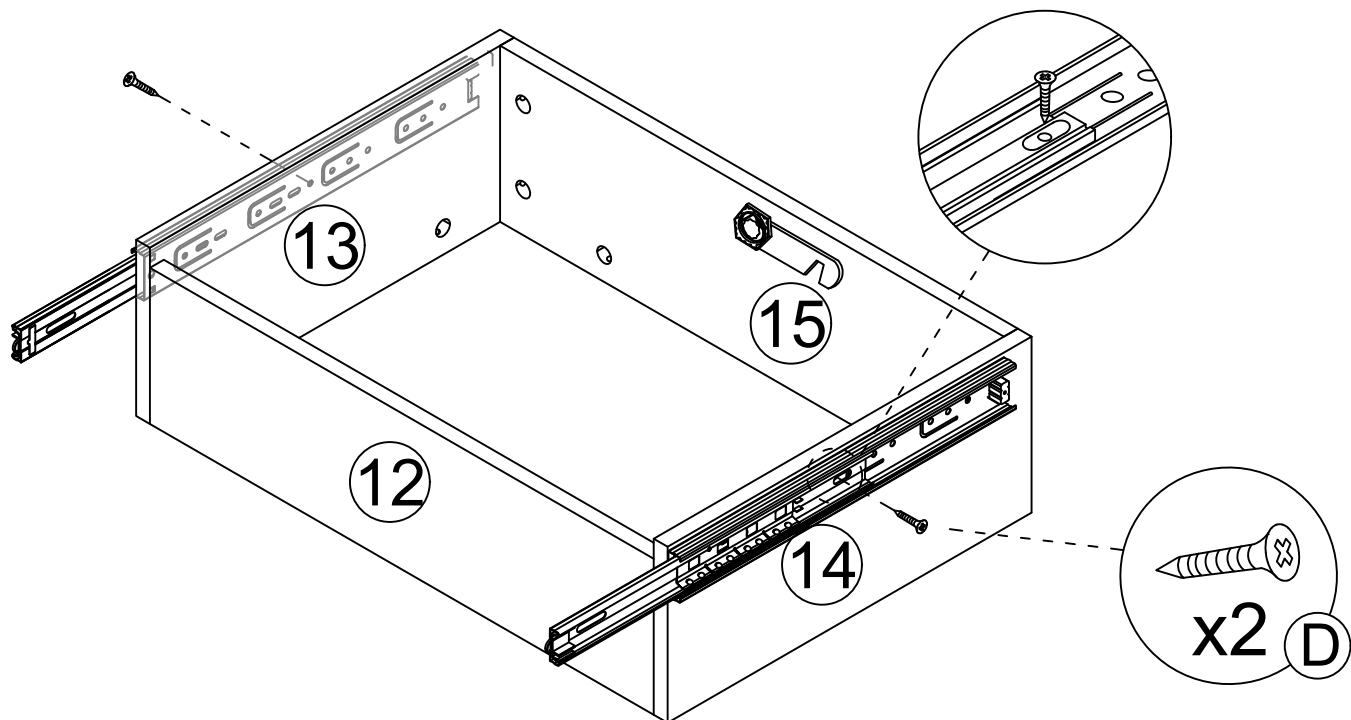
Step 1 : Pull the rails apart  
 Step 2 : Push the nylon buckle outward ①



Step 33

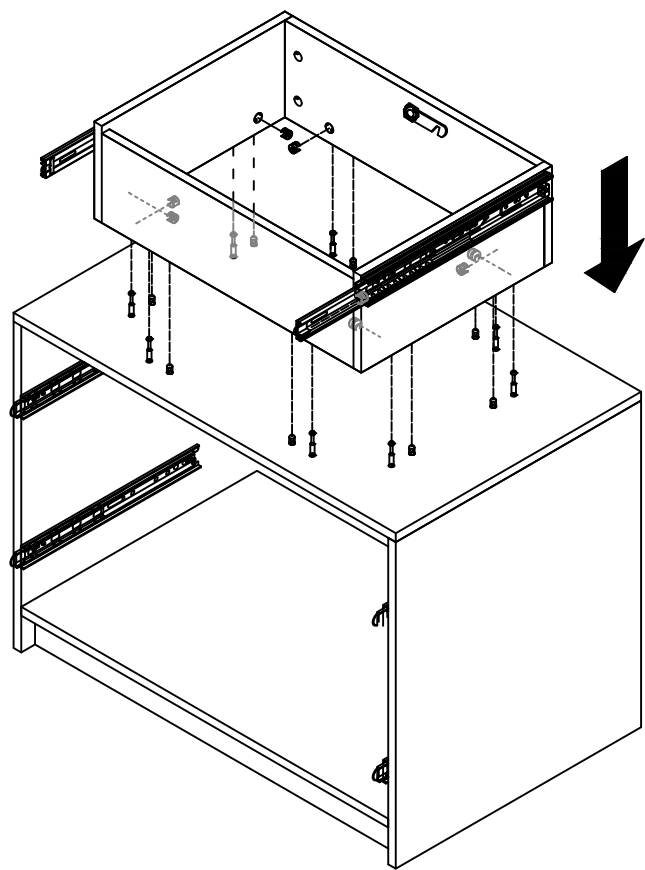


# Step 34

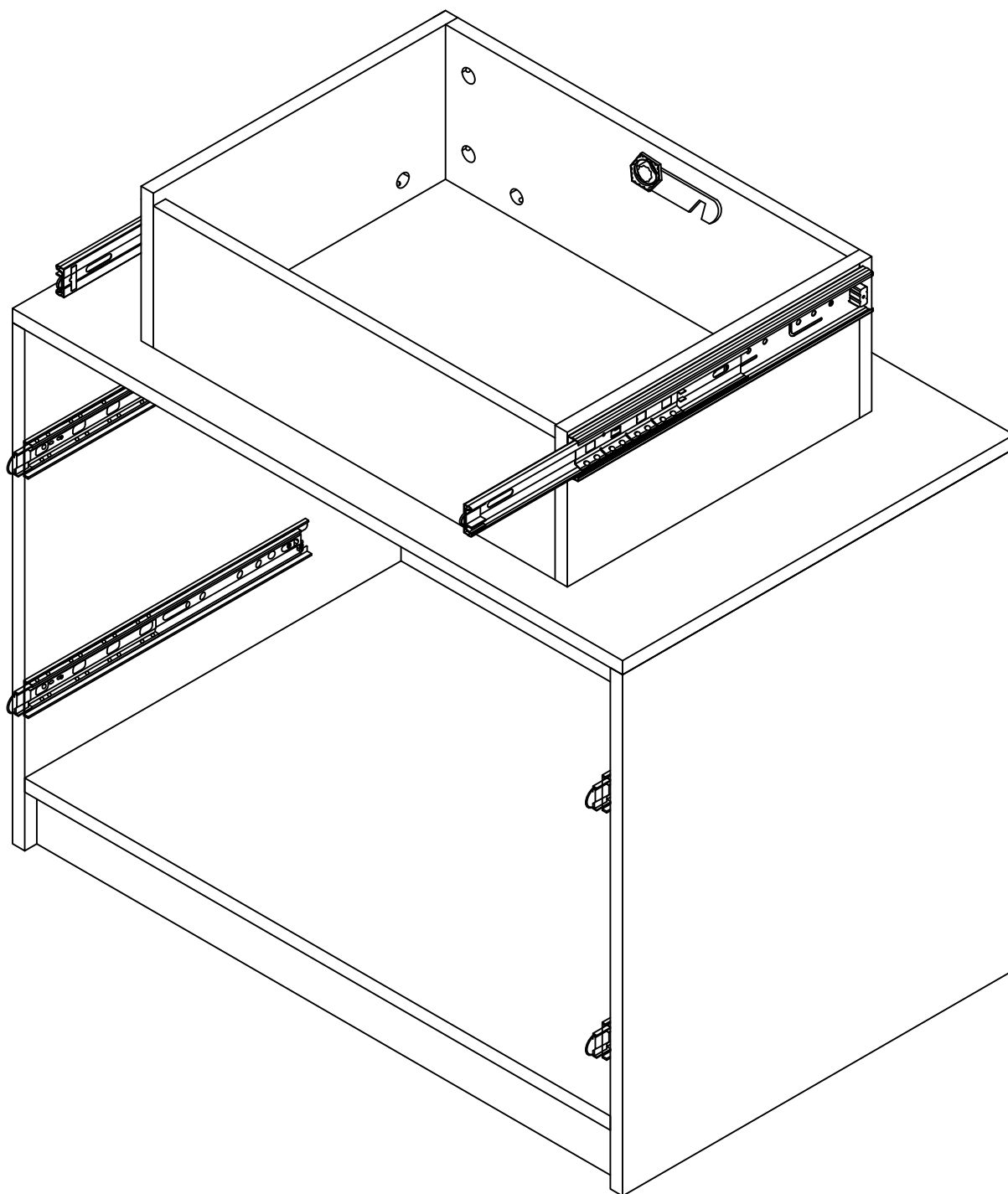


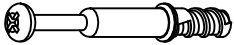


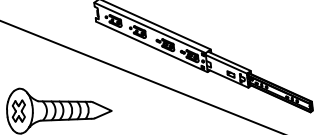
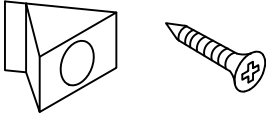
This hole is for strengthening fixed hole customers can choose to install according to their needs.

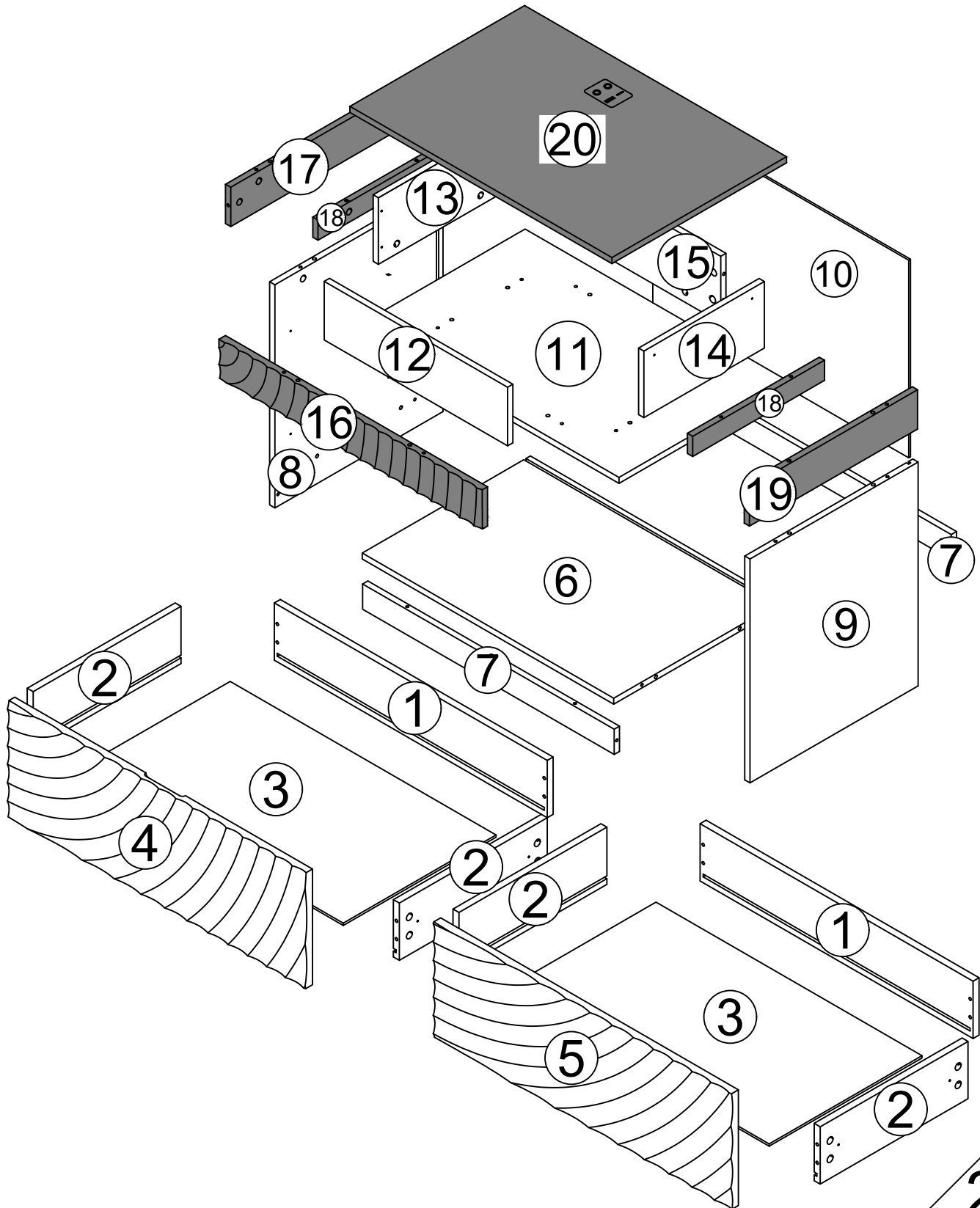
# Step 35



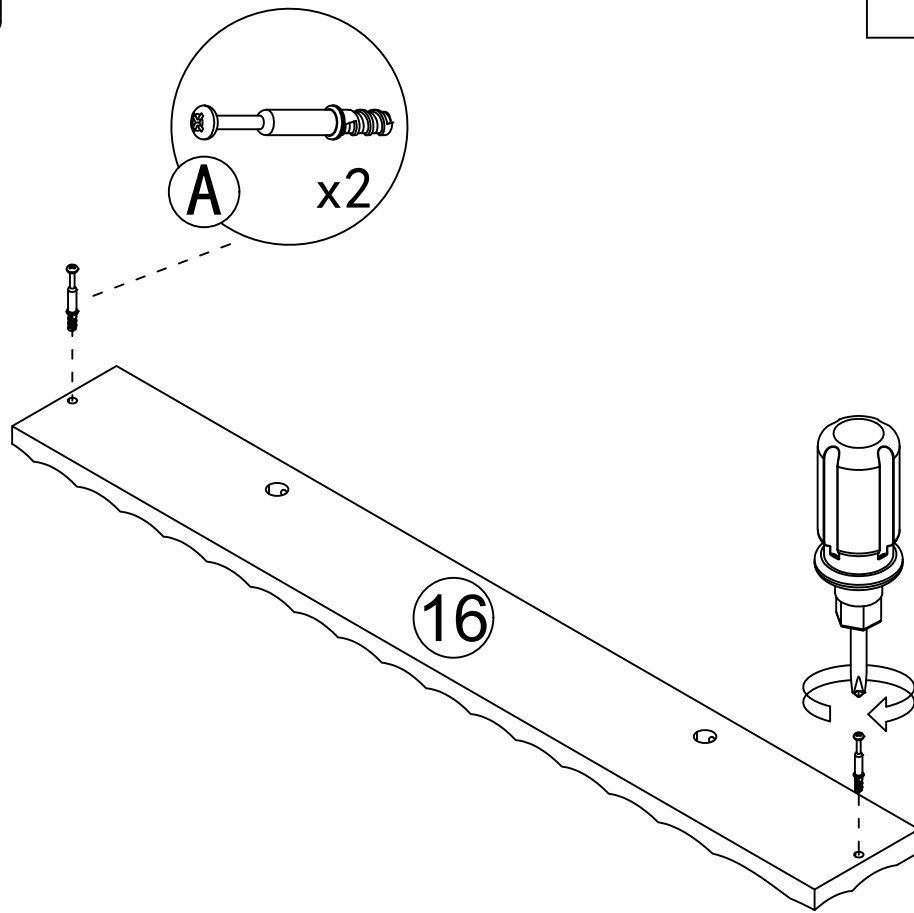
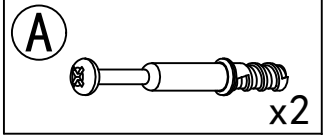
Step 36



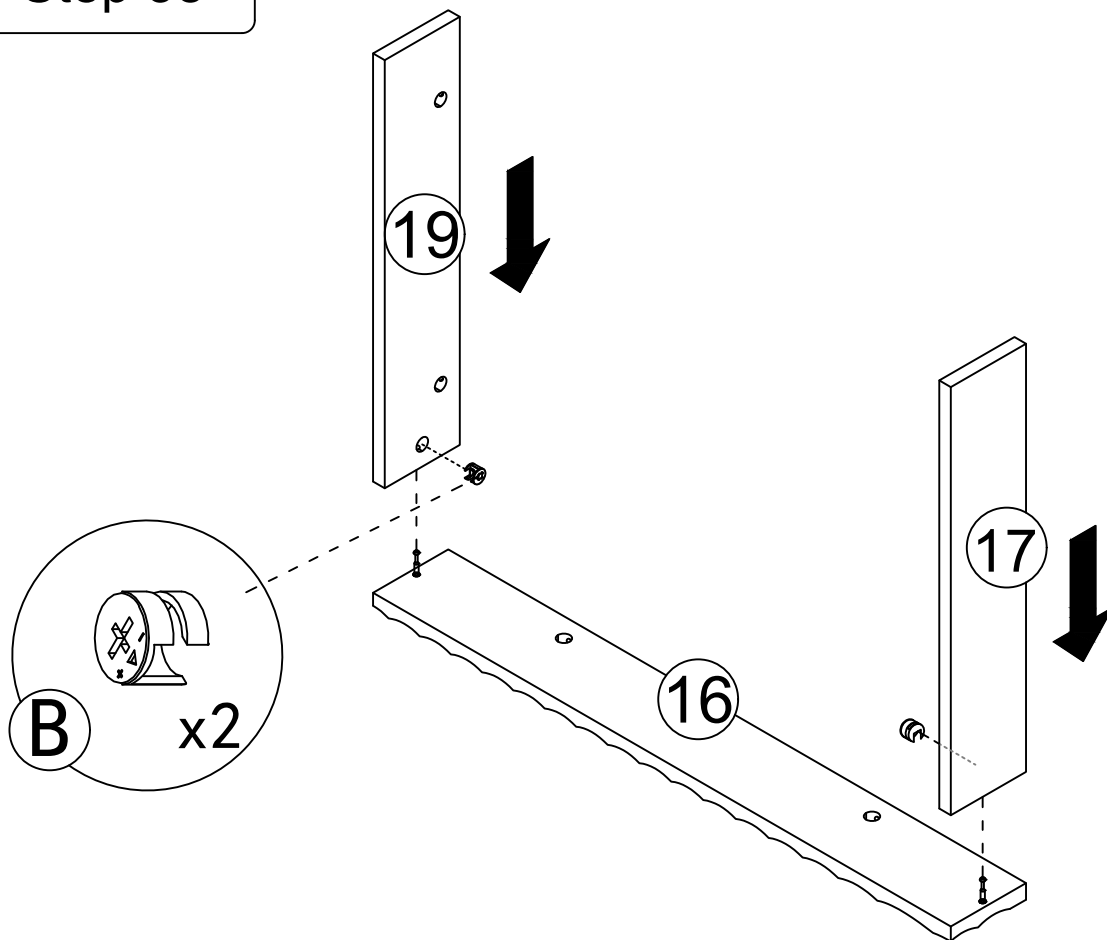
A		12pcs	C		6pcs
B		12pcs	D		2pcs 6pcs
E		4pcs			



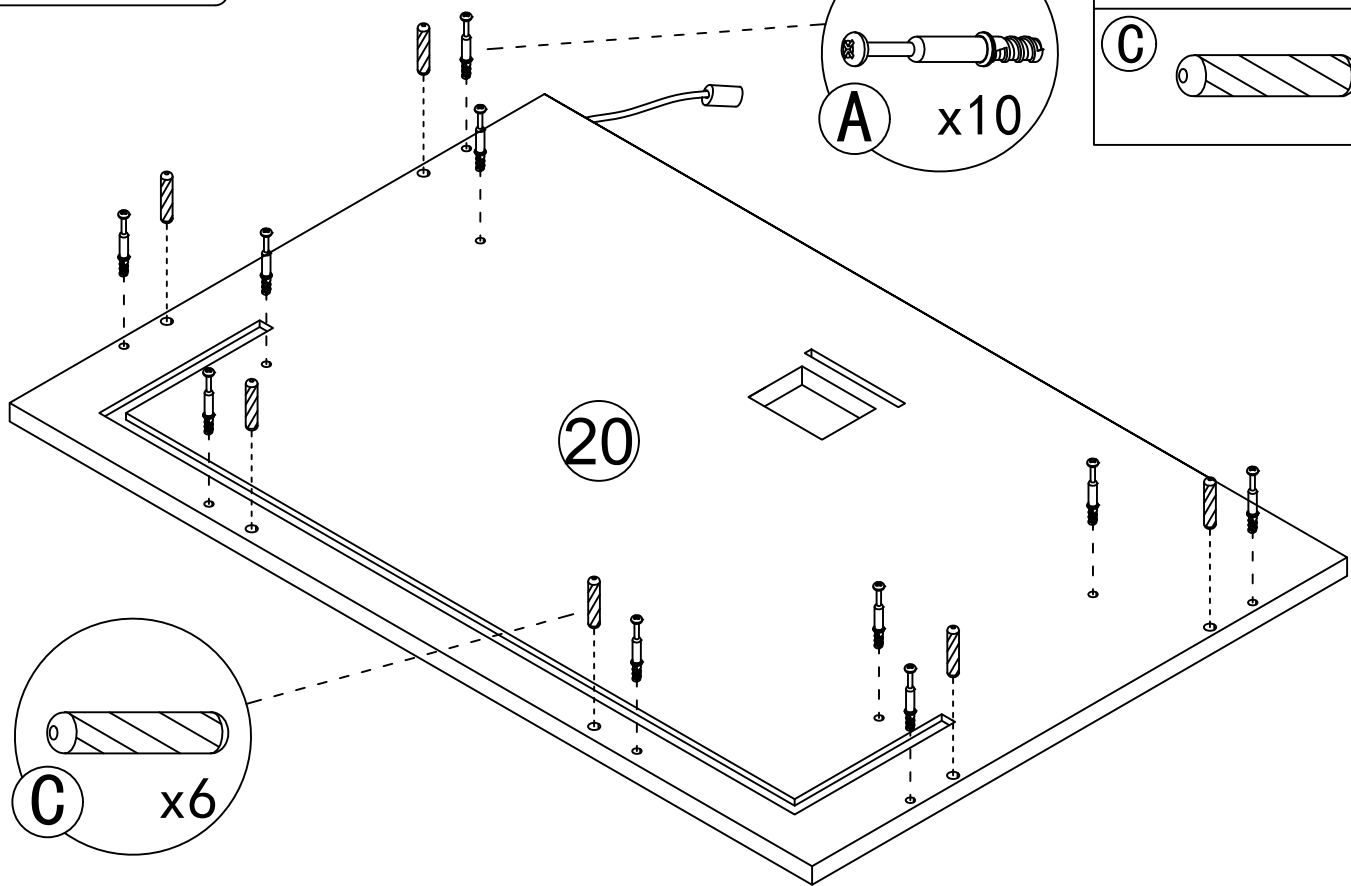
Step 37

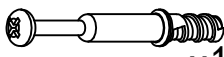
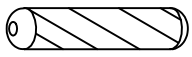


Step 38

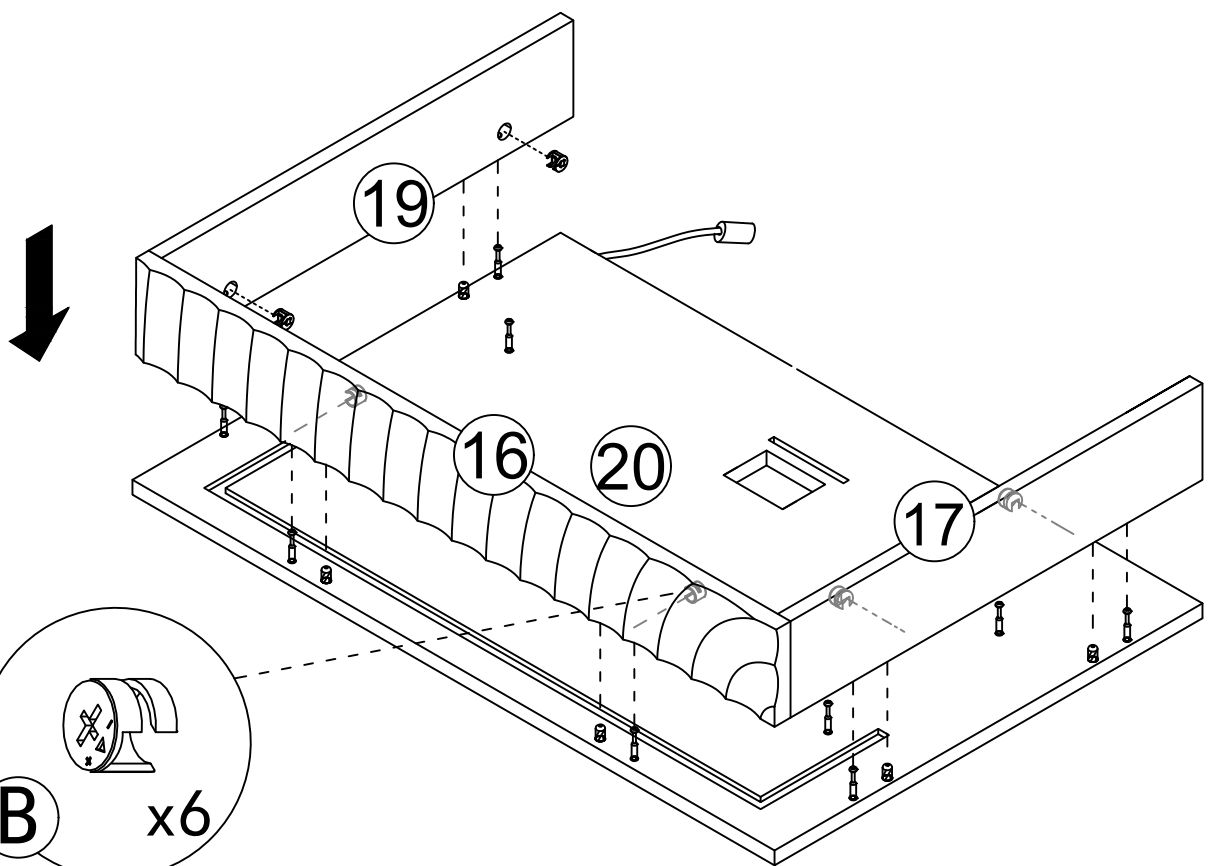


# Step 39

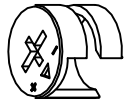


- (A)  x10
- (C)  x6

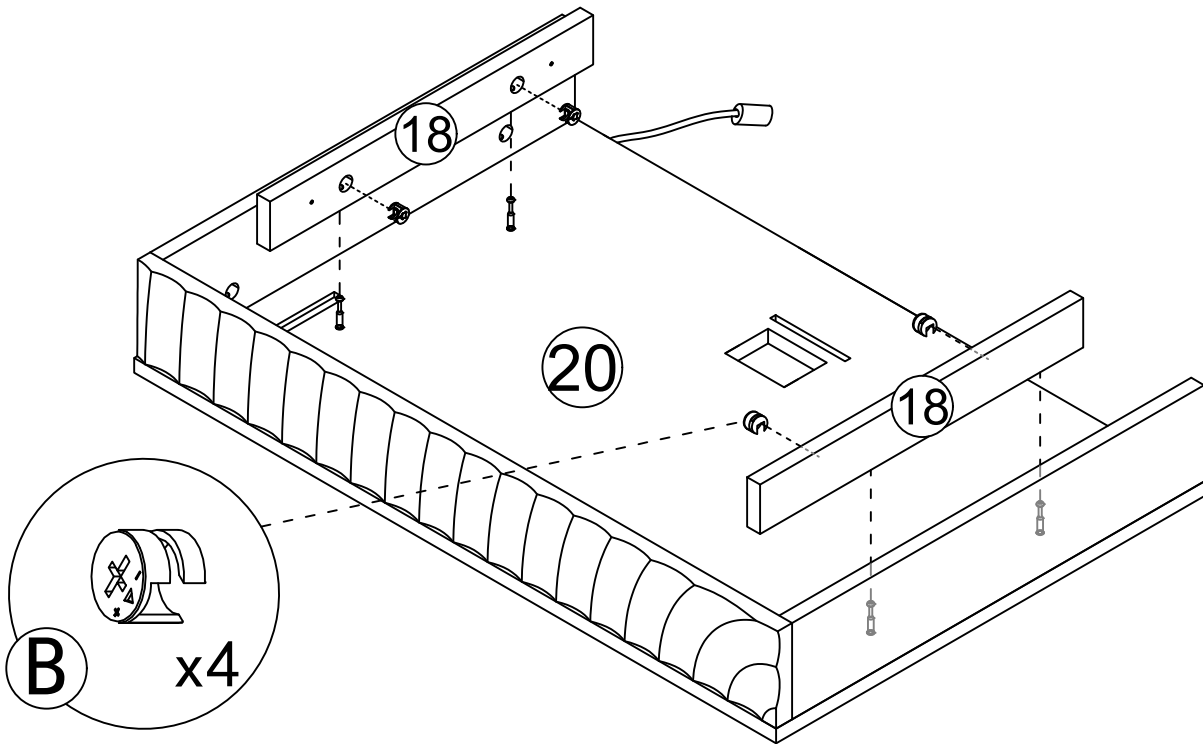
# Step 40



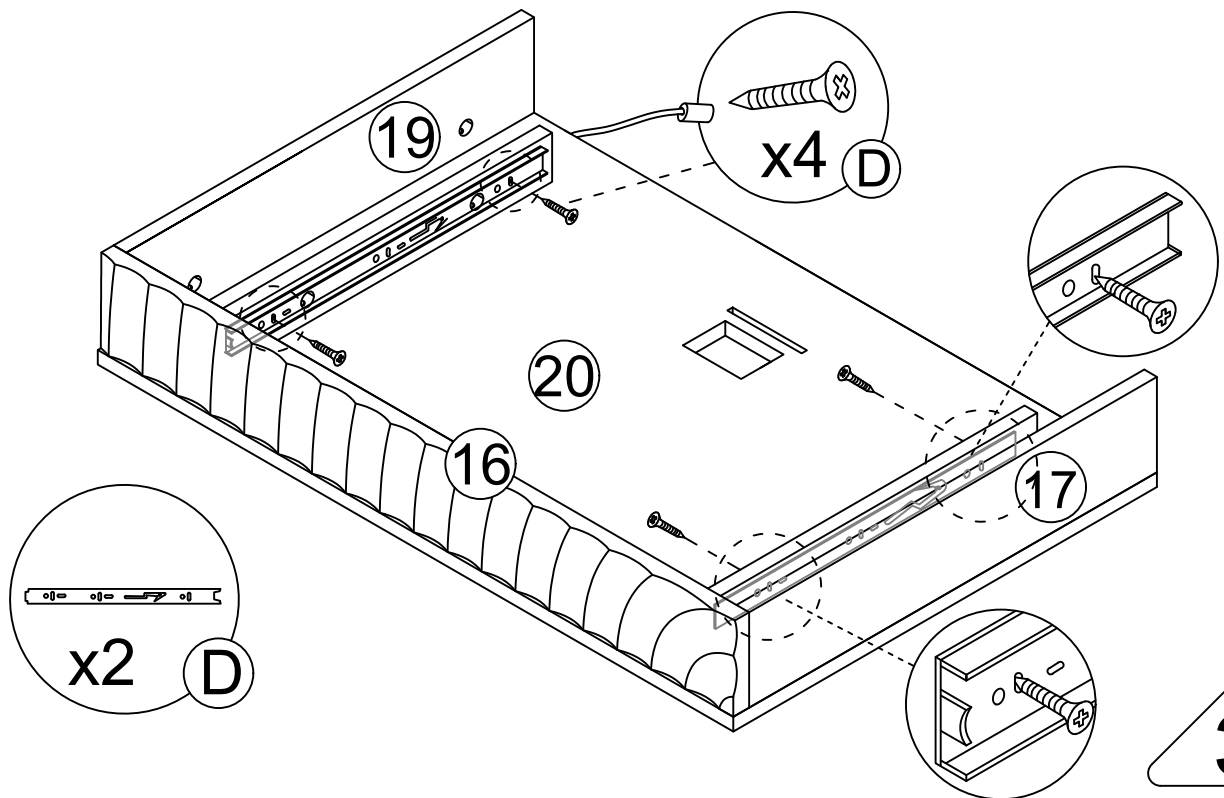
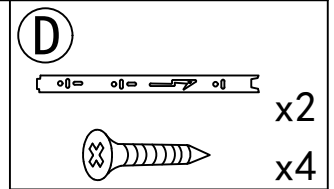
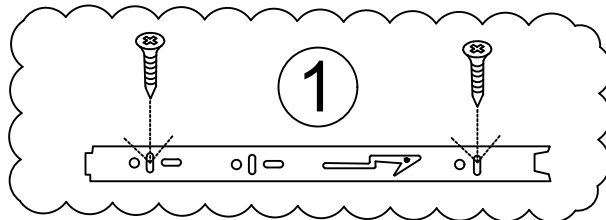
- (B)  x6

- (B)  x6


# Step 41

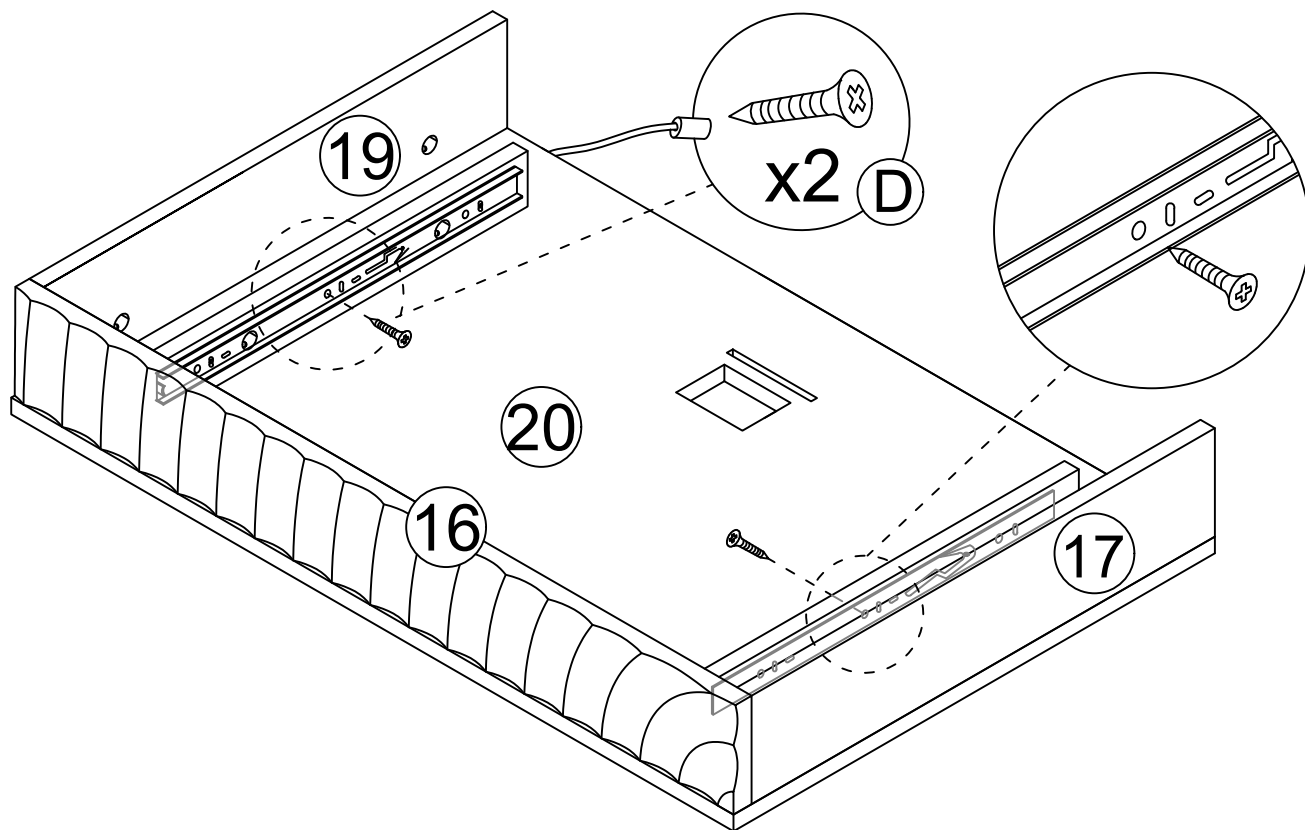


# Step 42

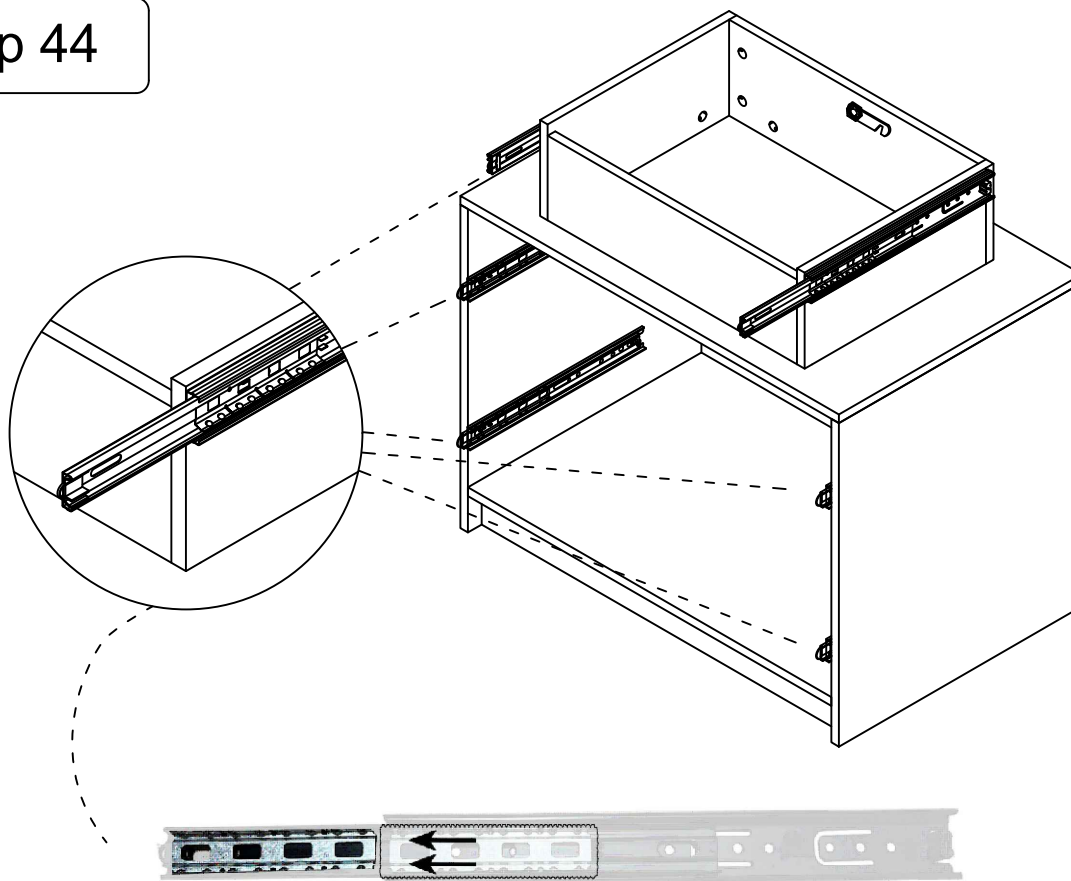


# Step 43

(D)  x2

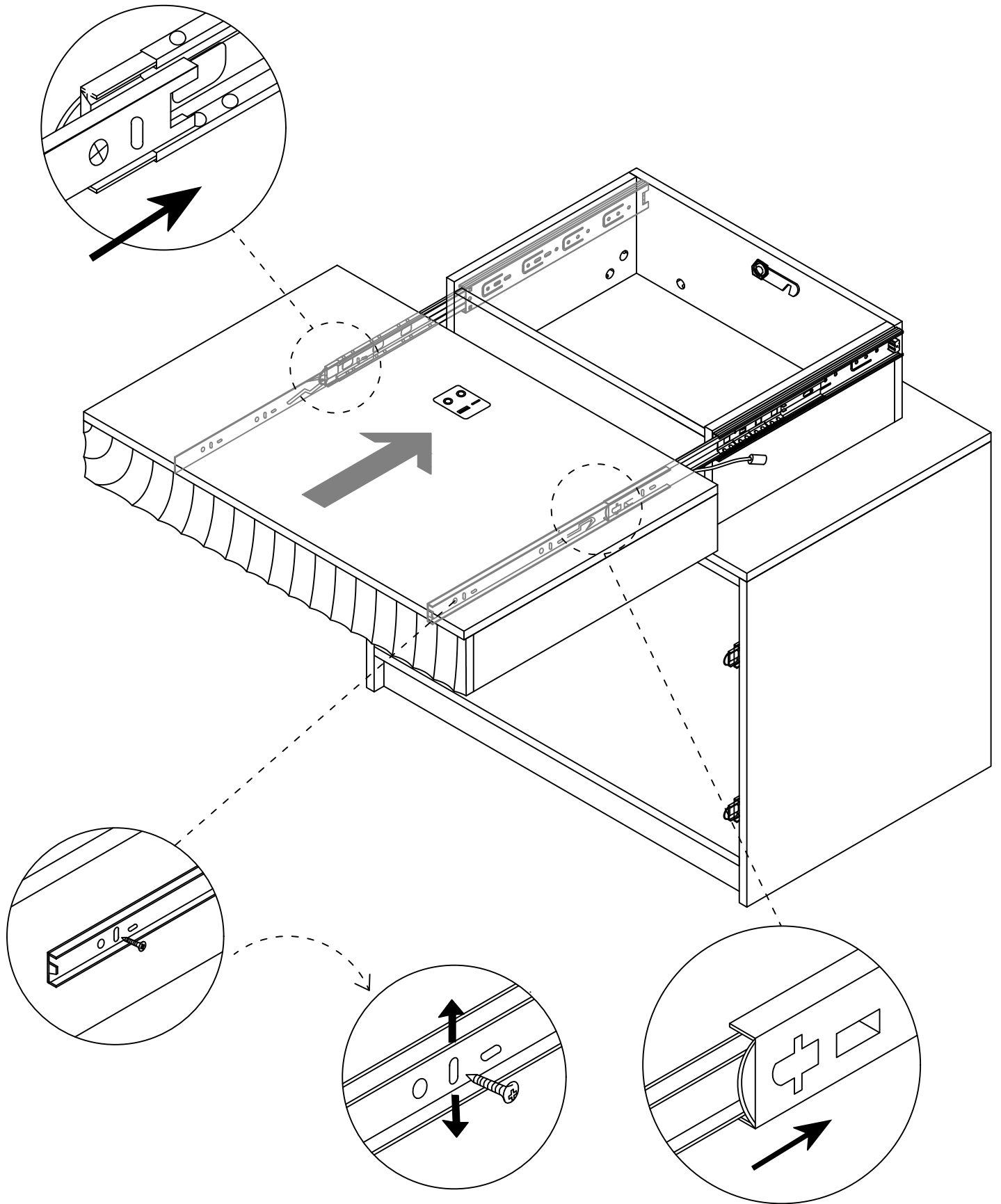


# Step 44



As shown, When installing the drawer, pull the guide rail out first, Slide beads are also pulled out.

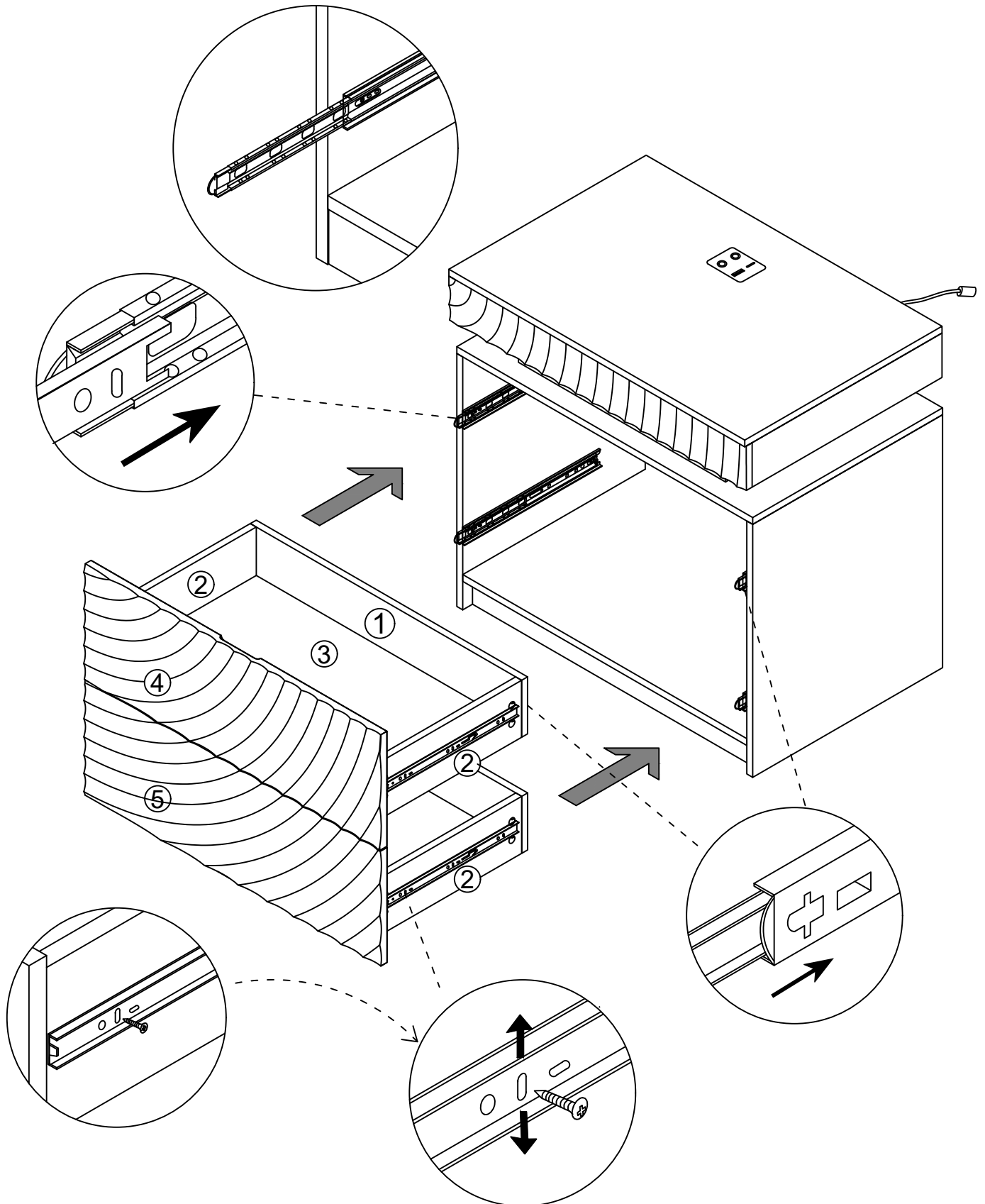
# Step 45



If a large gap is found after installing the drawer the slide rail can be moved up and down to adjust the gap.

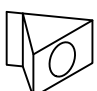

## Step 46

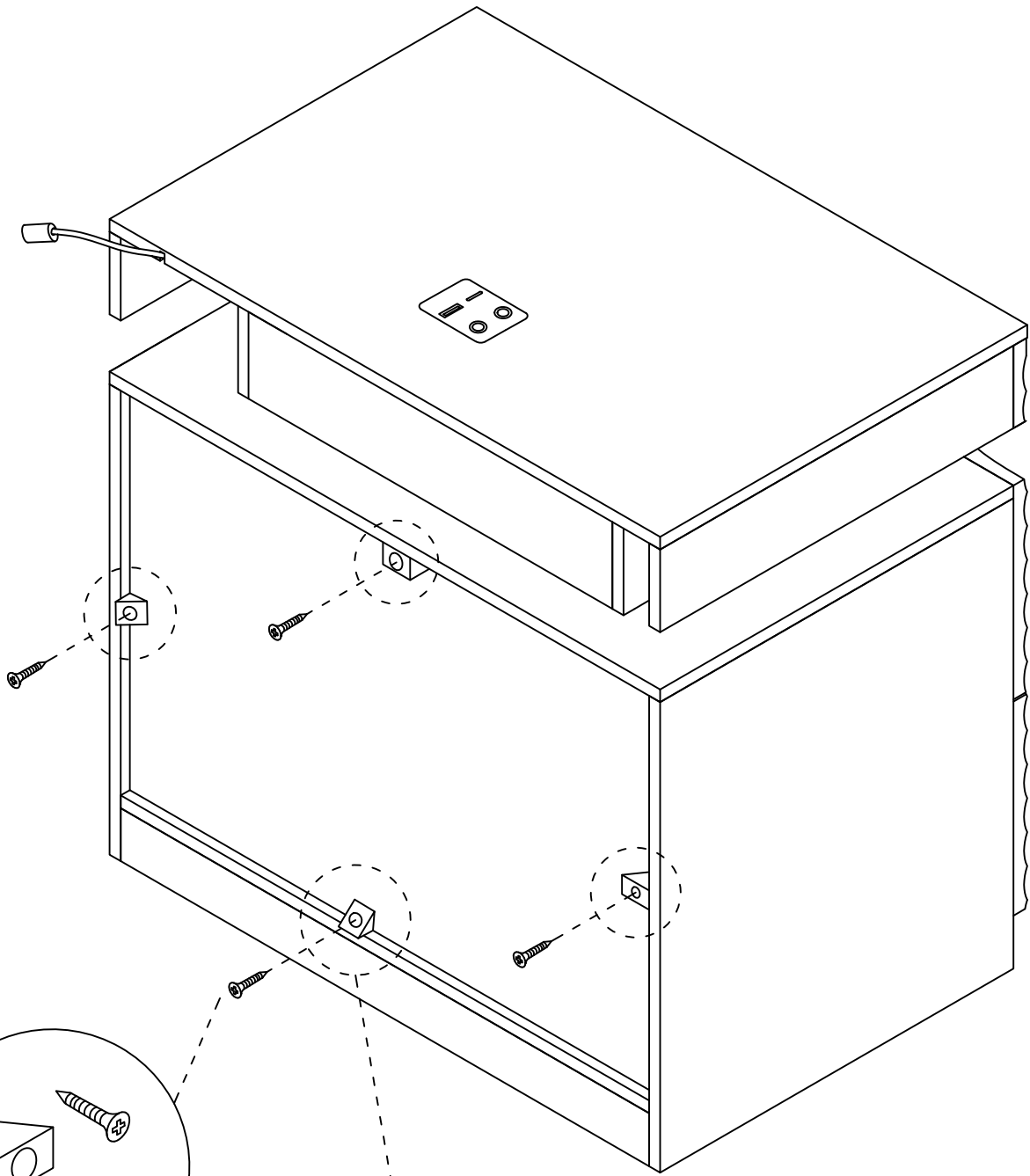
As shown, When installing the drawer, pull the guide rail out first, Slide beads are also pulled out.

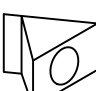



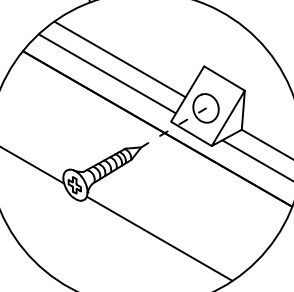
If a large gap is found after installing the drawer the slide rail can be moved up and down to adjust the gap.

# Step 47

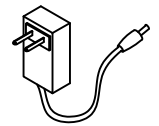
Ⓔ   x4



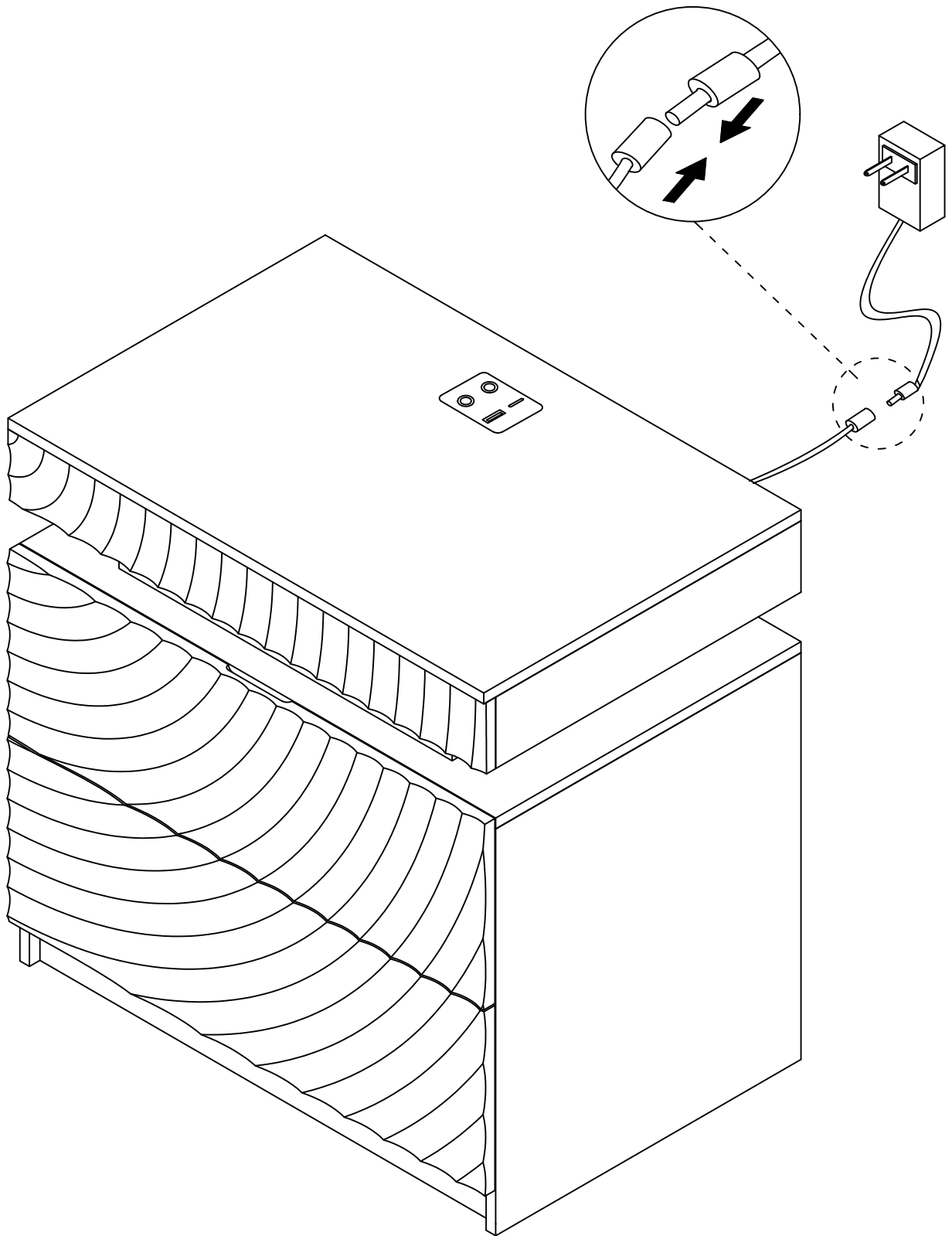
  x4 Ⓔ



Step 48



x1



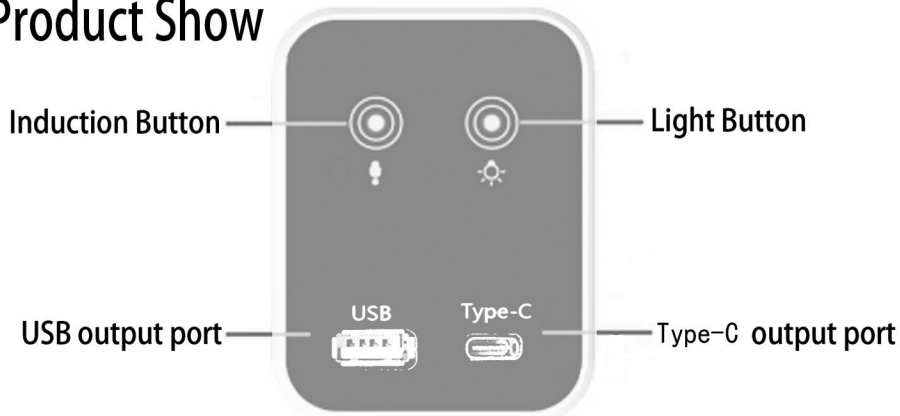
# User's Guide

Thank you for purchasing this product. To use this product, please plug it into a 12V DC power supply. Please use if the product works normally after connecting to power.

## Introduction

The box is an intelligent controller. It has 1 USB port and 1 type-C port and can distribute the current output up to 5V DC-2A. With 2 touch buttons, it can turn ON/OFF the light, change light colors, and adjust the light luminance.

## Product Show



### ATTENTION PLEASE

1. If there is no touch response suddenly, Re-plug the power to reset the touch static electricity.
2. If bubbles appear on the panel, remove the protective film.

## Operation



This touch button is used to turn on/off, change colors, and adjust brightness.

A. Short touch -> lighting on -> short touch -> change light color -> short touch -> change light color -> short touch -> lighting off. B. Long touch -> adjust the luminance



This touch button is used to turn on/off the induction function.

A . Short touch to turn on the induction function. It can auto-turn on the light when people are close to the controller in 1 meters. It can auto power off the light when the body is far away from the controller after 30 seconds.

B . Long touch to turn off the induction function.

C . Note: When you touch the light button to change the light modes, the induction function will automatically turn off. It is best to turn on this function after selecting the light color and adjusting the brightness you want.