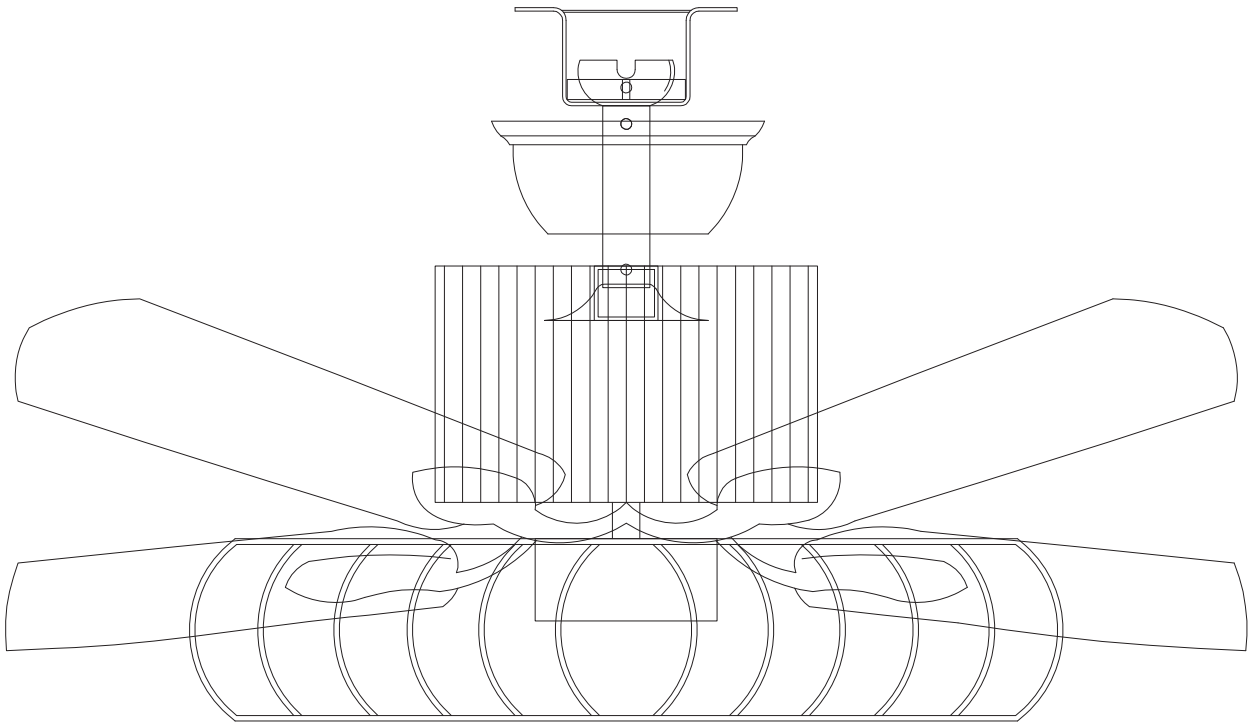


Manual

Book

ceiling fan light

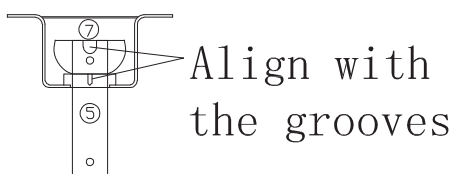
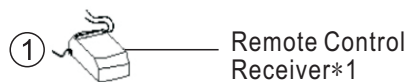
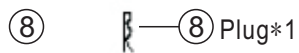
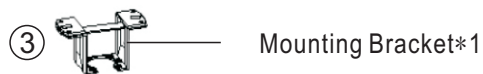


Safety Precautions

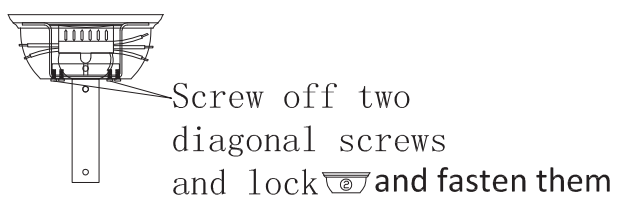
Please read the operating instructions carefully before using the product and follow the procedure strictly.


1. This product is suitable for indoor use.
2. The ceiling fan must be connected to the standard power supply line that meets the national safety requirements. If you have insufficient knowledge of the electrical appliance, please be sure to install it by a licensed professional electrician.
3. Before installing and disassembling the ceiling fan, please turn off the electric power. When the ceiling fan is installed, the screws of each part must be fixed and securely locked.
4. The ceiling fan must be mounted on a sturdy ceiling that can withstand more than 30 kg of gravity.
5. The distance between the blade and the ceiling must not be less than 20CM (if less than 20 CM, the fan will be windless).
6. An all-pole disconnection switch (provided by the user) with a contact greater than 3 mm must be installed at the power supply end of the fan light.
7. The wiring must be in sequence from the ground, live and neutral wires. The disassembly must be according to the neutral, live and ground wires to avoid electric shock.
8. To avoid personal injury, the blade installation of the fan should be at least 2.3 meters above the ground. Do not bend the blades and their frames during installation and cleaning. Keep the blades in balance and clean. Do not put foreign objects among the rotating blades.
9. To avoid electric shock or fire accident, it is strictly forbidden to use wall control switch or remote control that is not stipulated by this ceiling fan's manual.
10. It is strictly forbidden to use other brands of ceiling fan parts with our products. It is not necessary to install or modify spare parts and screws, otherwise it may cause safety hazards.
11. When installing multiple ceiling fans at the same time, spare parts should not be exchanged to avoid unbalanced on the fan.
12. When you need to replace the LED light source of the product, please ensure that its maximum power does not exceed 40W.
13. If the electrical components are damaged, the manufacturer or its service provider must provide the corresponding parts and ask the qualified electrician to replace them, avoiding danger.
14. Different styles have different structures, installation methods also has slightly difference, please refer to the manual, if in doubt, please consult the manufacturer or local distributor.

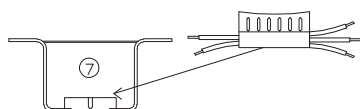
1. Components of ceiling fan



Align with the grooves

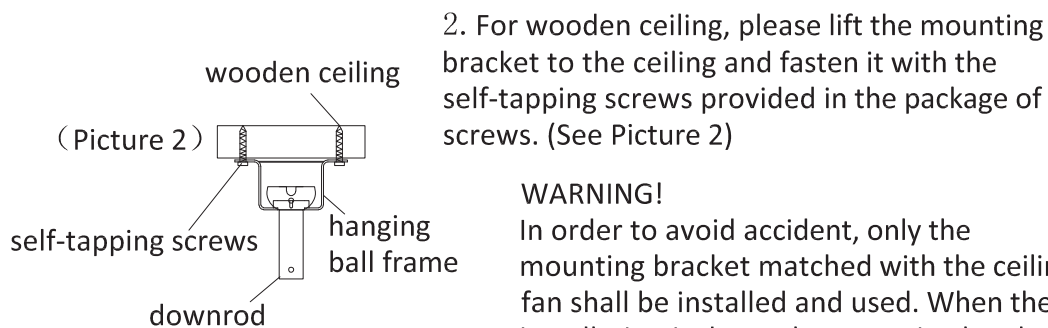
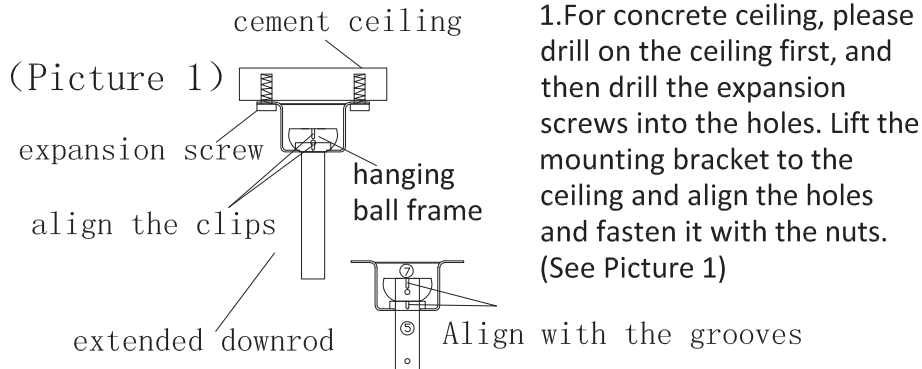


Screw off two diagonal screws and lock  and fasten them



Put the black driver into 

2. Fasten the mounting bracket

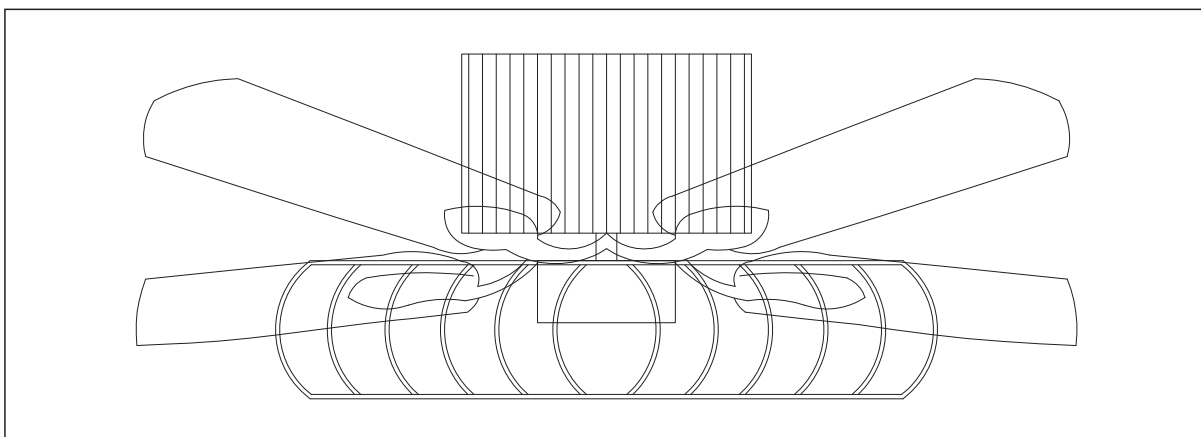


WARNING!

In order to avoid accident, only the mounting bracket matched with the ceiling fan shall be installed and used. When the installation is done, the mounting bracket shall withstand force more than 60 kg.

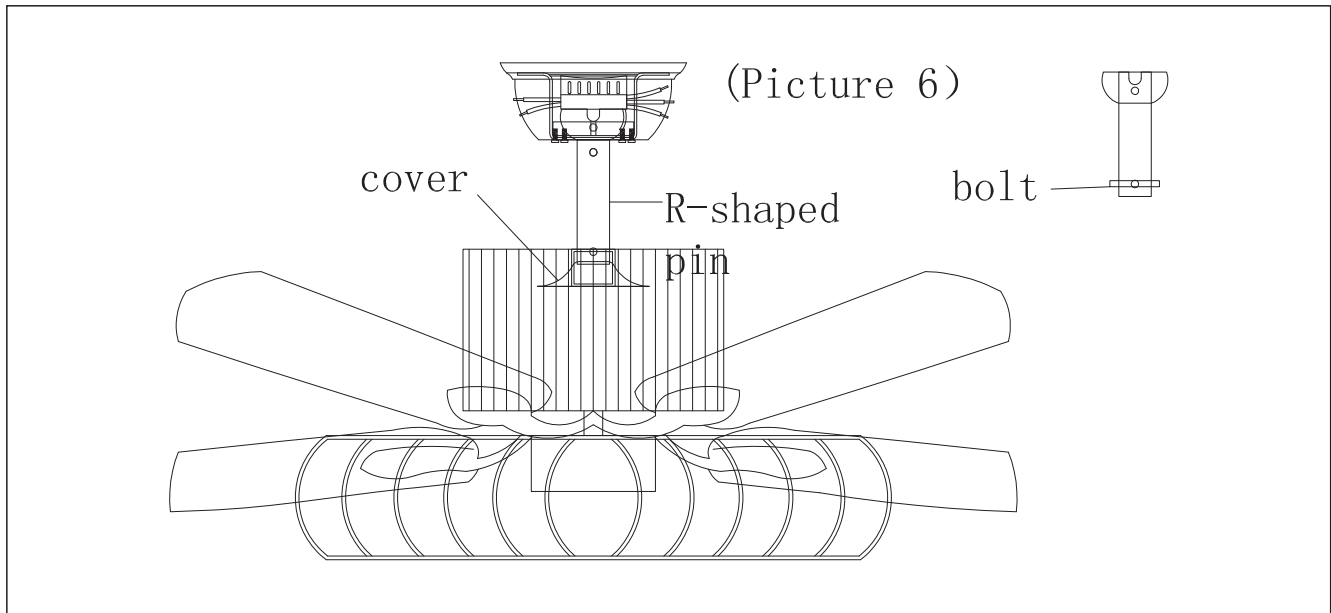
3. Installation of lamps

1. First, unscrew 5 screws and screw off 1 screw on the base of motor; then connect the lamps and the motor (4 screws of the motor shall be through 4 keyholes of the lamp), rotate counterclockwise until another hole is aligned with the screw hole. At last, fasten all the screws. (See Picture 4 & Picture 5)

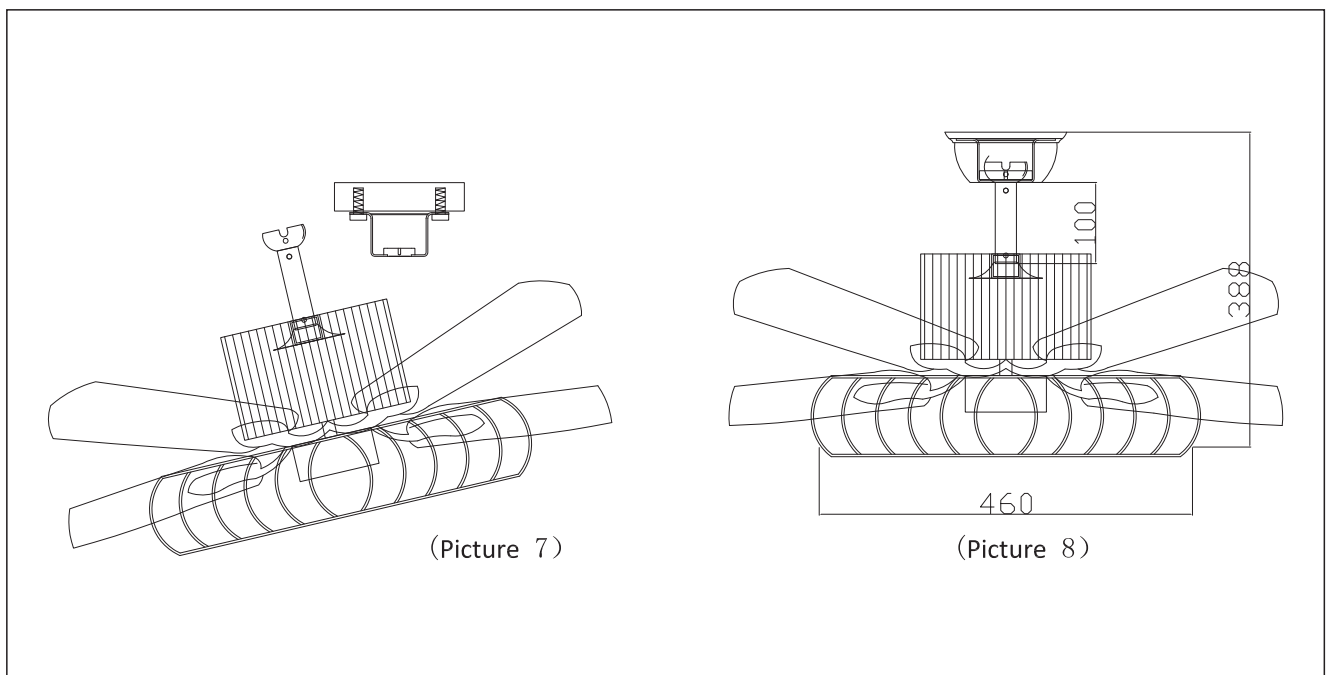


4. Installation of suspension system

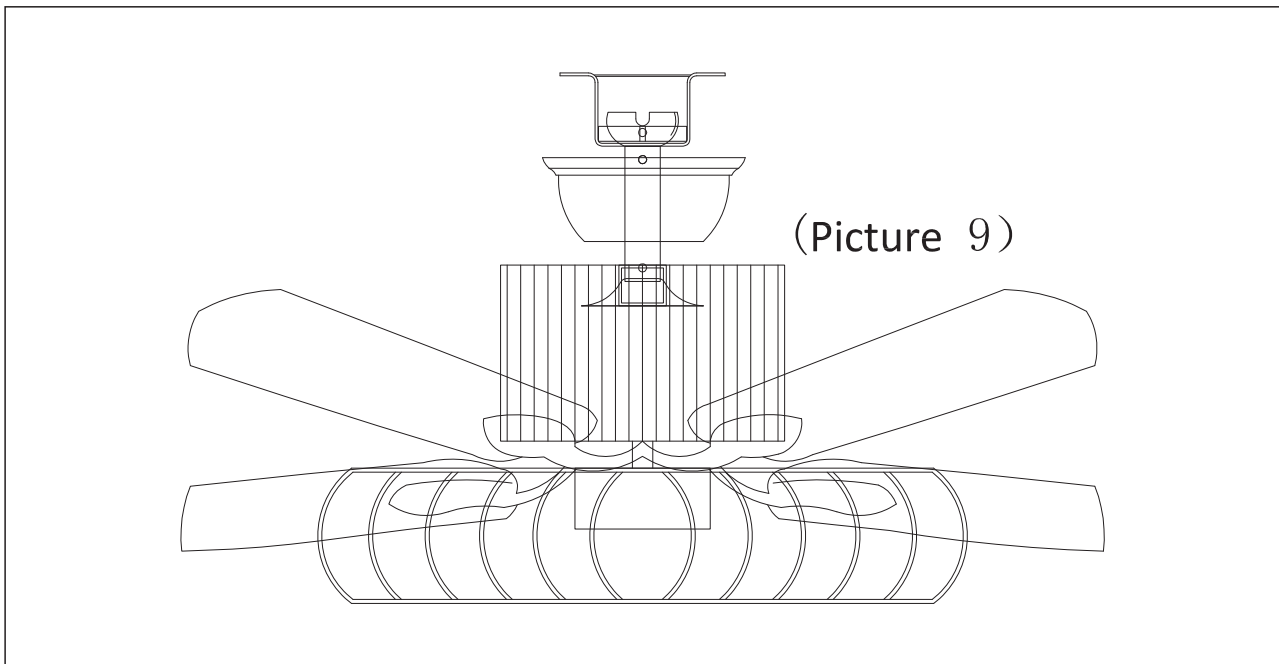
1. Put the downrod through the canopy and the cover. Then fix the downrod into the motor and align the holes, fix in the bolt and put R-shaped pin through the hole, and fasten the screws on the side of the motor. (See Picture 6)



2. Put the ceiling fan on the mounting bracket and slowly rotate the ceiling fan until the slot position of hanging ball is at the correct place. (See Picture 7 & 8)

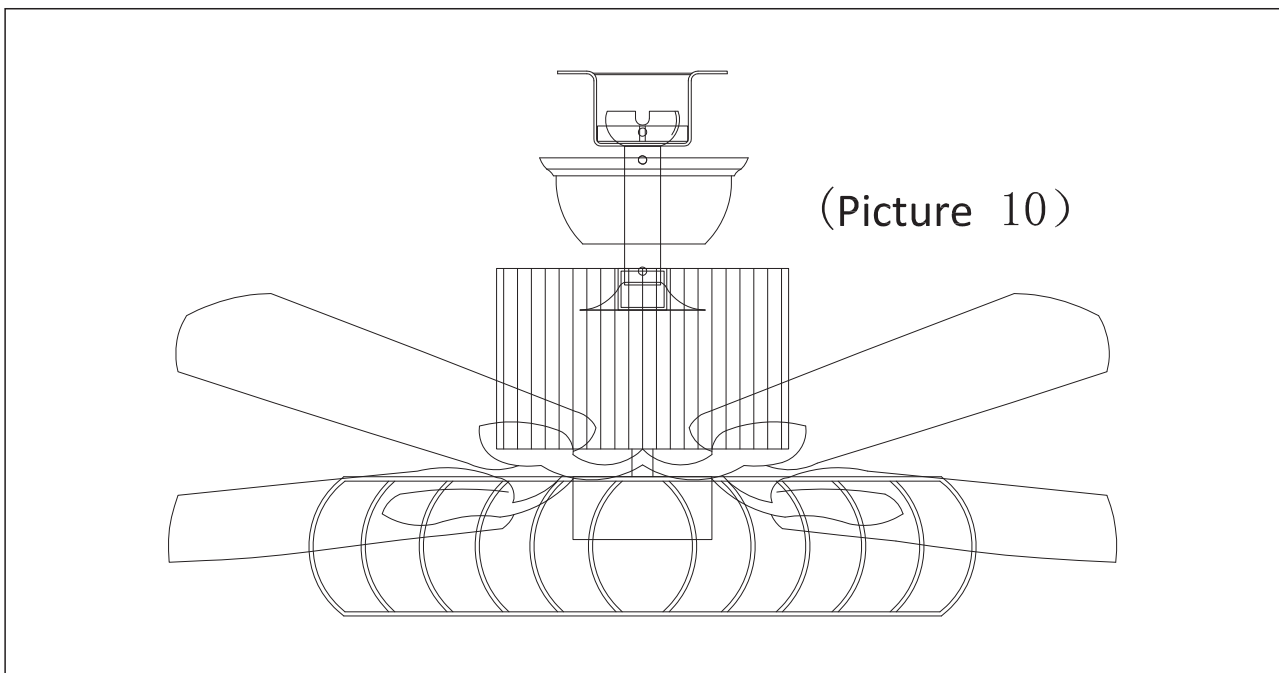


3. Install the fan blades and lift the canopy (two screws of the mounting bracket shall be through the two keyholes of the canopy), rotate into place and fasten the screws.
(See Picture 9)



5. Installation of lamp cover

1. Screw off 4 screws on the lamp panel and align the holes of lamp cover and lamp panel, then fasten 4 screws.
(See Picture 10)



Product Feature

Natural Wing

Natural, pleasant, comfortable and healthy wind design, using aerodynamics to achieve three-dimensional circulation air supply, circulating indoor air, and rapidly changing the indoor temperature. It has the unique positive and negative air supply and speed regulation. People will feel cool when the summer convection, and when the reverse convection in winter. it'll keep the air flowing, it helps to create a more pleasant house.

Best Partner of Air Condition

It can solve the short comings of slow diffusion of air conditioning. In the hot days, using the forward rotation function of this product can accelerate the diffusion of cold air, so that the indoor temperature will drop rapidly; On the contrary ,using the heating in the cold weather, the reverse function can accelerate the spread of the heat and increase the indoor temperature with the use of this product. This product can shorten the cooling and heating time and save 30% of electricity consumption. It is the best partner of air condition.

Ultra Silent and Energy Saving

The motor is composed by permanent magnet rotor and amd 100% copper winding stator, coupled with high-quality and efficient bearings and industry-leading frequency conversion technology, which can make the motor run efficiently, quietly and smoothly.

Practical lighting, beautiful decoration

Ceiling fan light is the perfect combination of lamp and fan. There are various kinds of lighting to meet different lighting needs. There are different styles of classical European, modern minimalist, American country, Mediterranean, children, etc. It is the first choice for modern home decoration.

Thank you for purchasing our company's ceiling fan lights. Please read the instruction manual carefully before installation and keep it for future use.