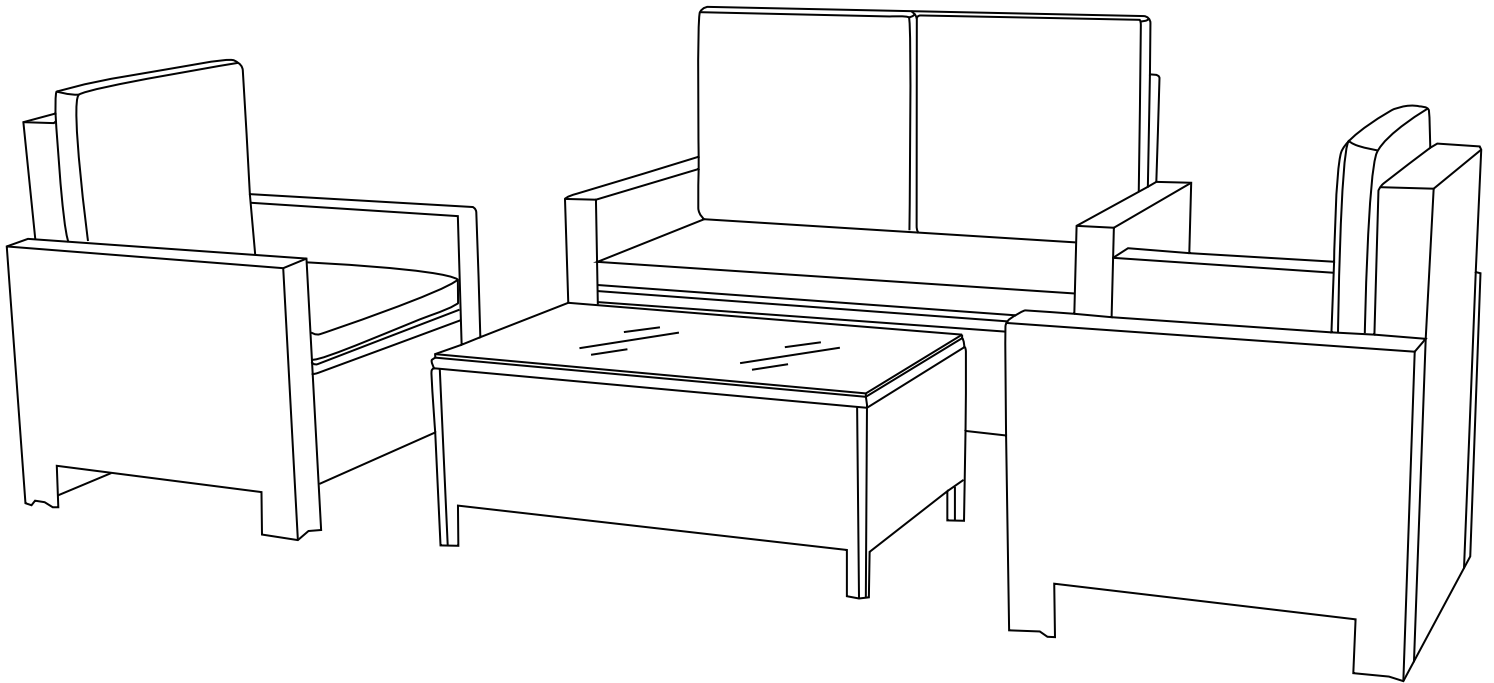


INSTRUCTION

■ 4-Piece

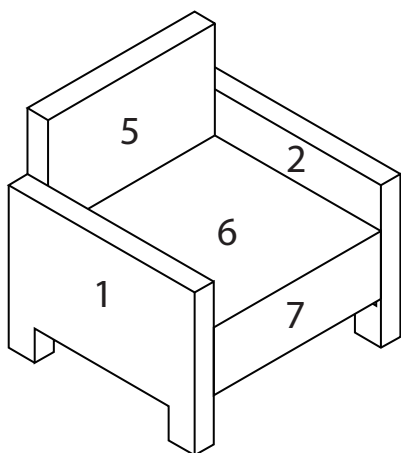
Rattan Patio Furniture Set



If you have any assembly problem.
Contact us for more information.

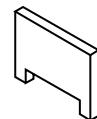
Parts

Check and make sure you get the components on the list, contact us for any missing



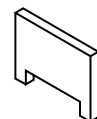
■ 2-Single Rattan Chair

1. Right Rattan Sofa Arm Rest



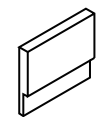
1 pcs

2. Left Rattan Sofa Arm Rest



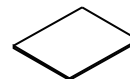
1 pcs

5. Single Rattan Sofa Backrest



1 pcs

6. Single Rattan Sofa Seat Cushion



1 pcs

7. Single Rattan Sofa Front Bezel



1 pcs

M6 Screw

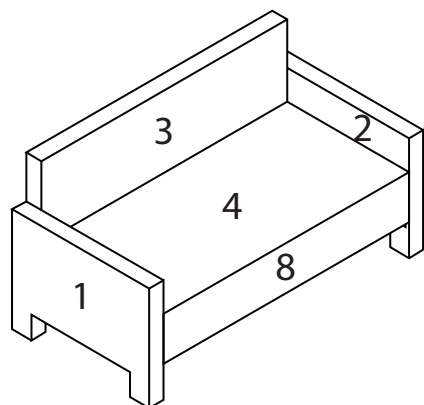


M6X35
15 pcs

Washer

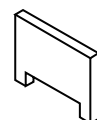


15 pcs



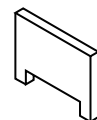
■ 1-Double Rattan Chair

1. Right Rattan Sofa Arm Rest



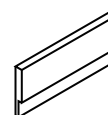
1 pcs

2. Left Rattan Sofa Arm Rest



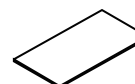
1 pcs

3. Double Rattan Sofa Backrest



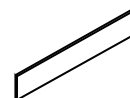
1 pcs

4. Double Rattan Sofa Seat Cushion



1 pcs

8. Double Rattan Sofa Front Bezel



1 pcs

M6 Screw



M6X35
16 pcs

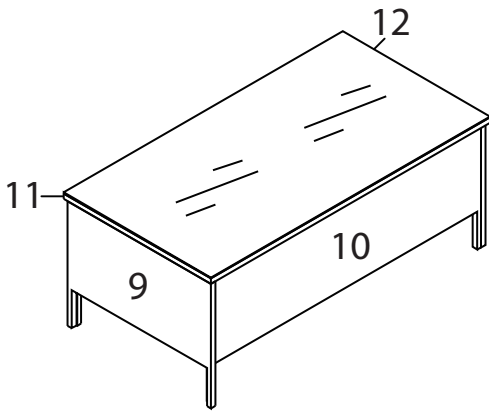
Washer



16 pcs

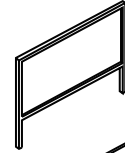
Parts

Check and make sure you get the components on the list, contact us for any missing



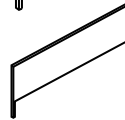
■ 1-Rattan Coffee Table

9. Left Right Coffee Table Bezel



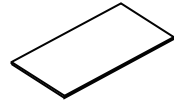
2 pcs

10. Front Behind Coffee Table Bezel



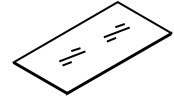
2 pcs

11. Coffee Table Tabletop



1 pcs

12. Coffee Table Glass



1 pcs

M6 Screw



M6X35
8 pcs

Washer



8 pcs

Install Tool



1 pcs

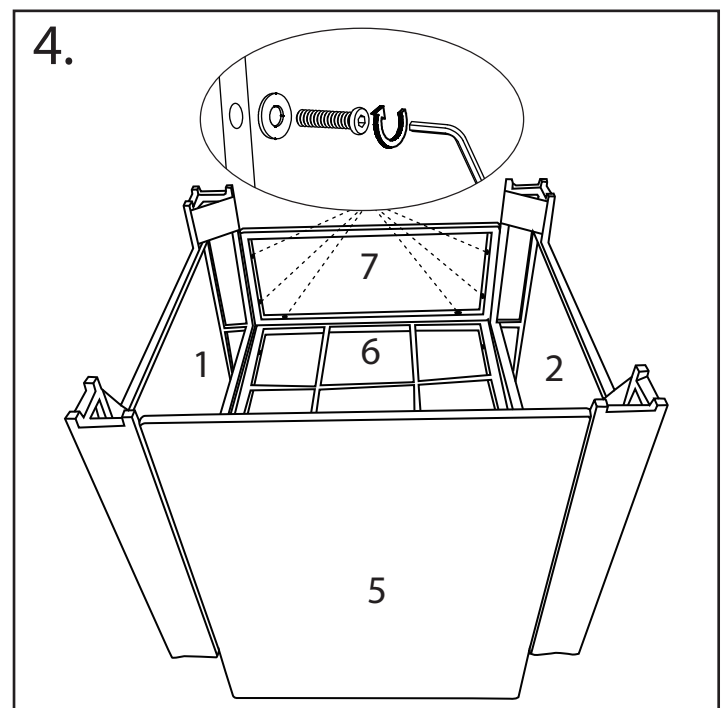
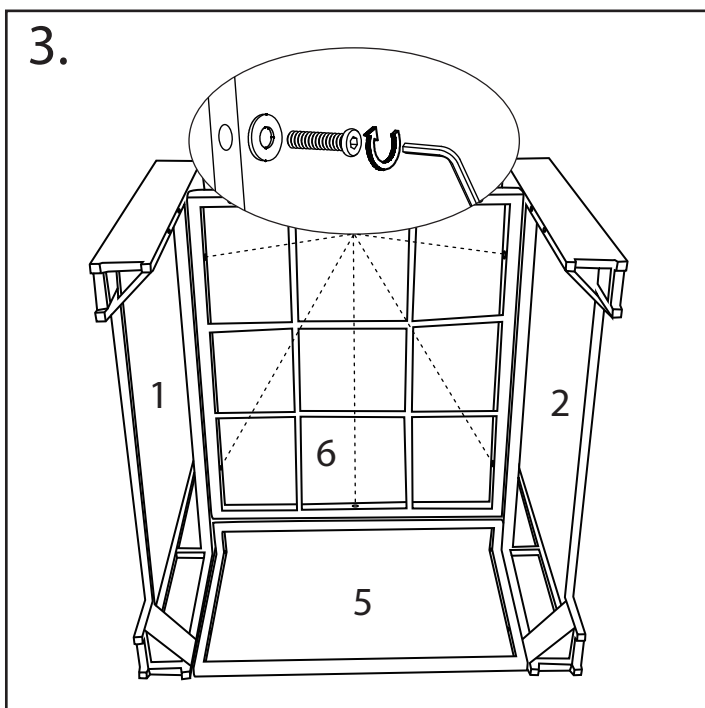
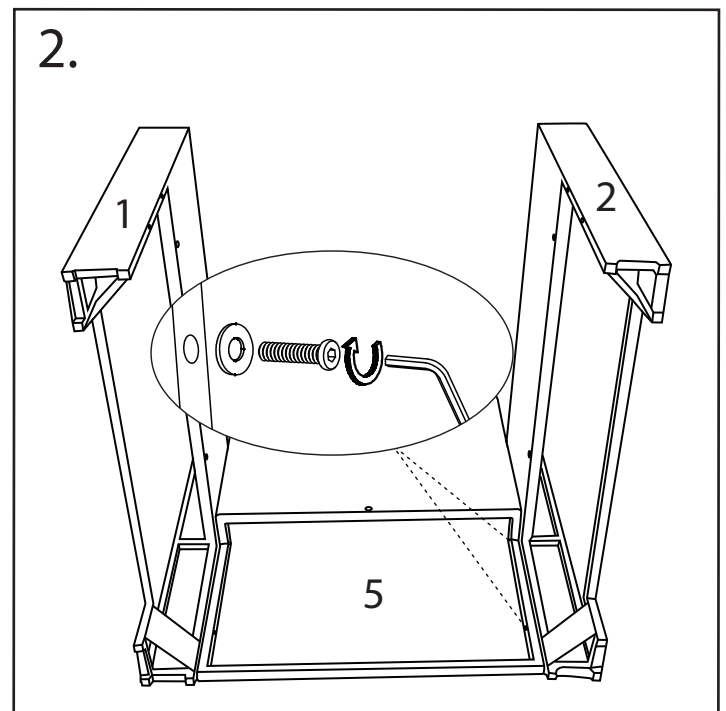
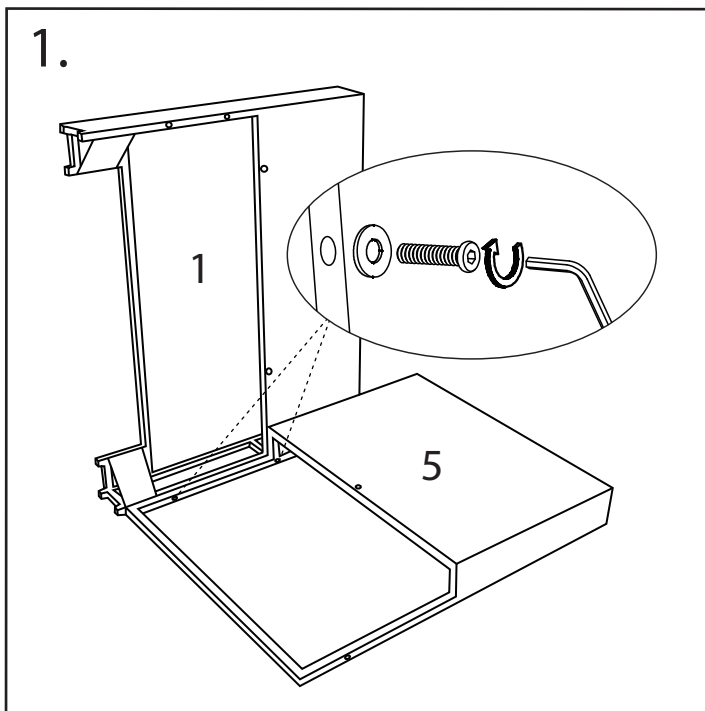


For successful installation, When installing, please do not tighten the screws once, when the screws are all installed, a unified tighten all the screws

Installation step

For successful installation, When installing, please do not tighten the screws once, when the screws are all installed, a unified tighten all the screws

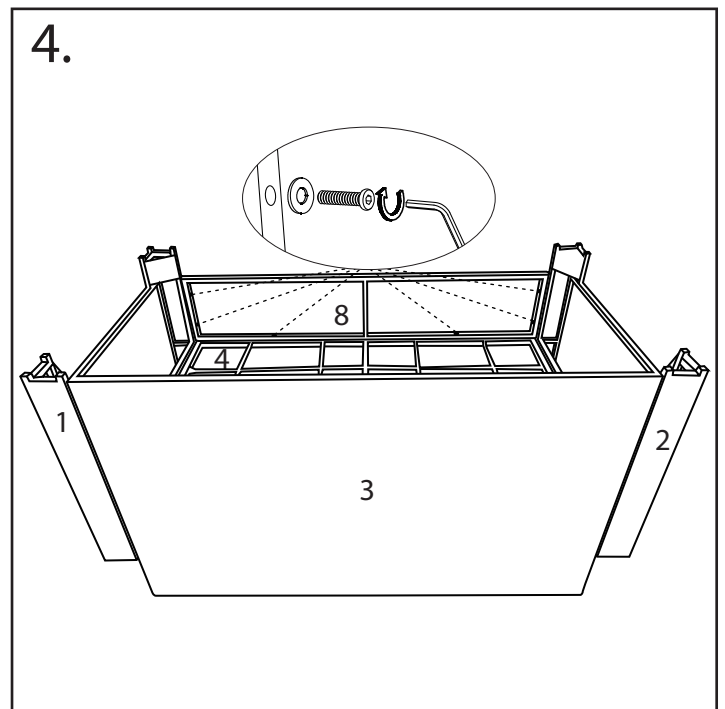
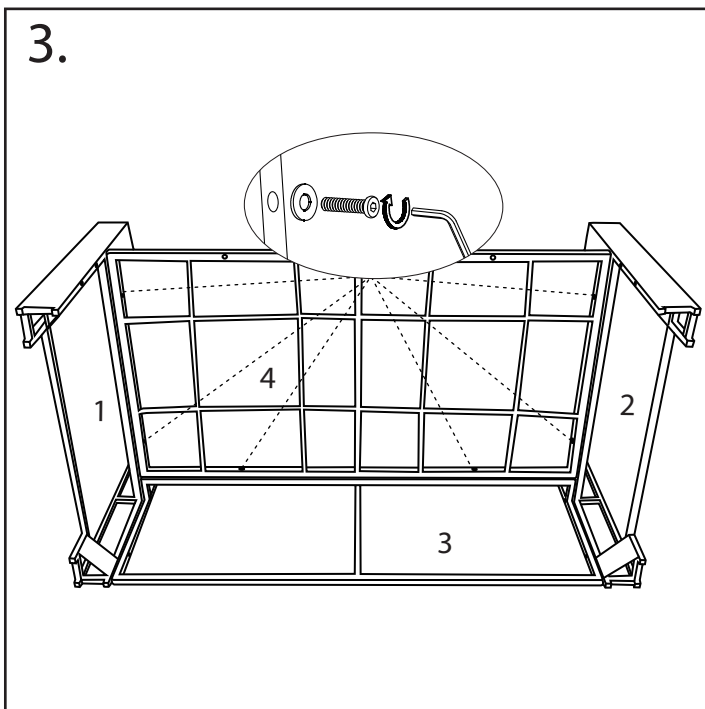
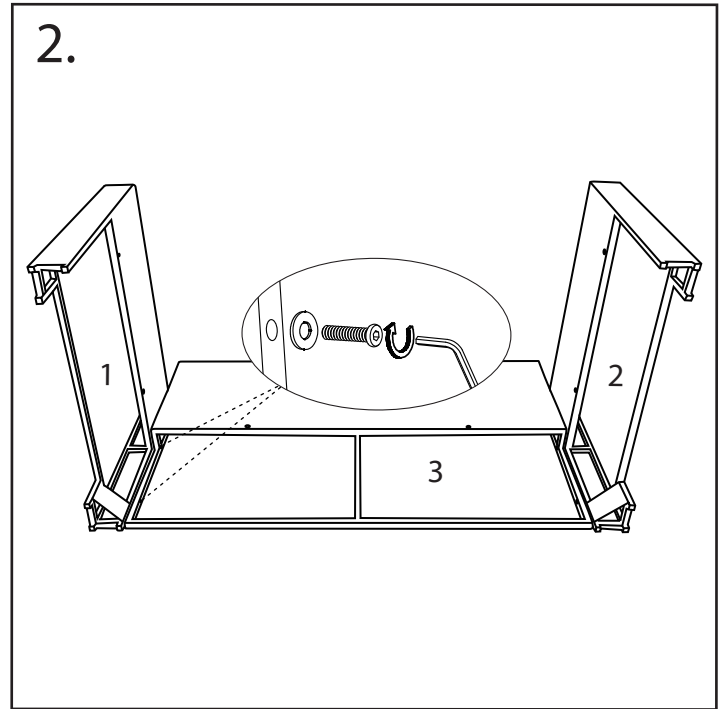
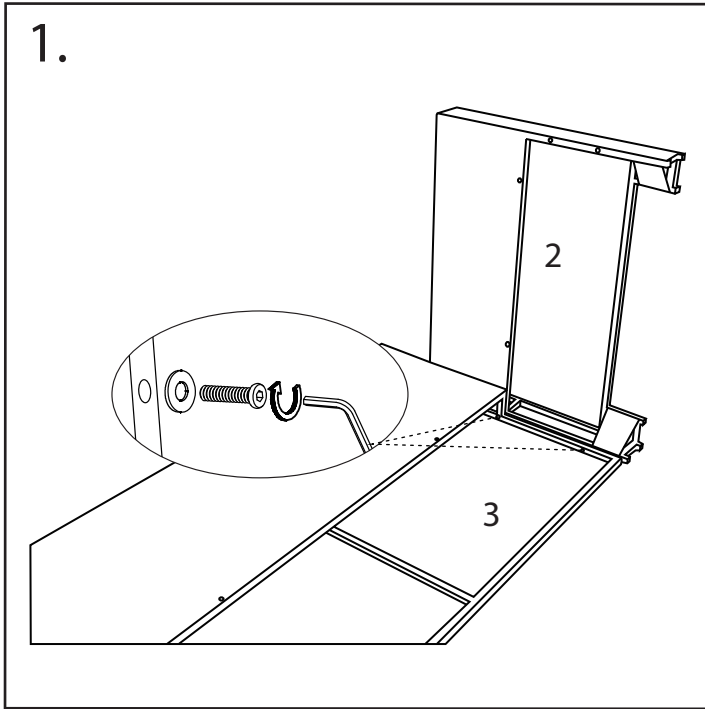
■ Single Rattan Chair Installation step



Installation step

For successful installation, When installing, please do not tighten the screws once, when the screws are all installed, a unified tighten all the screws

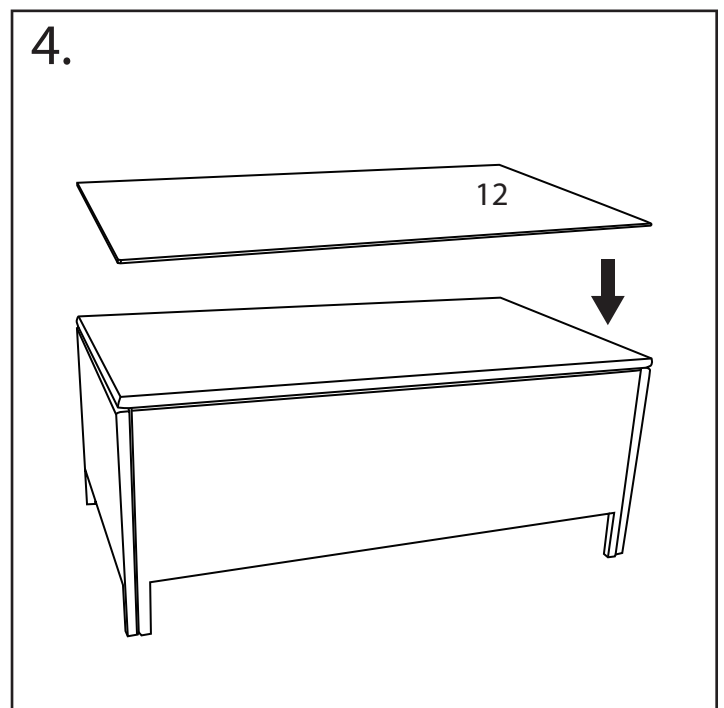
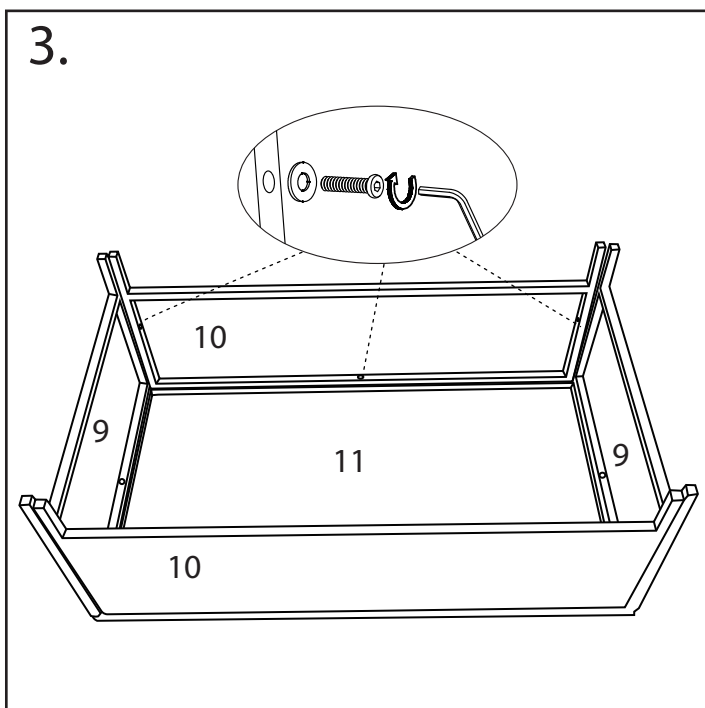
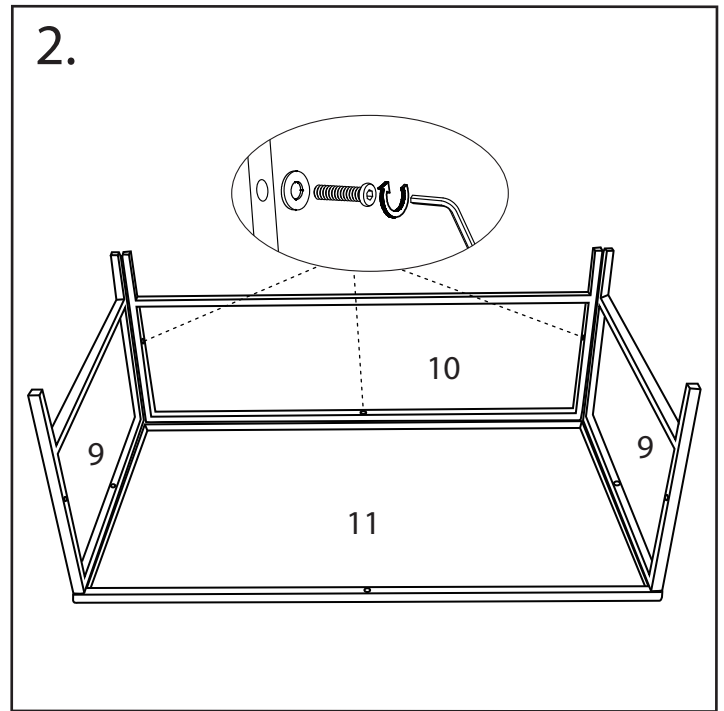
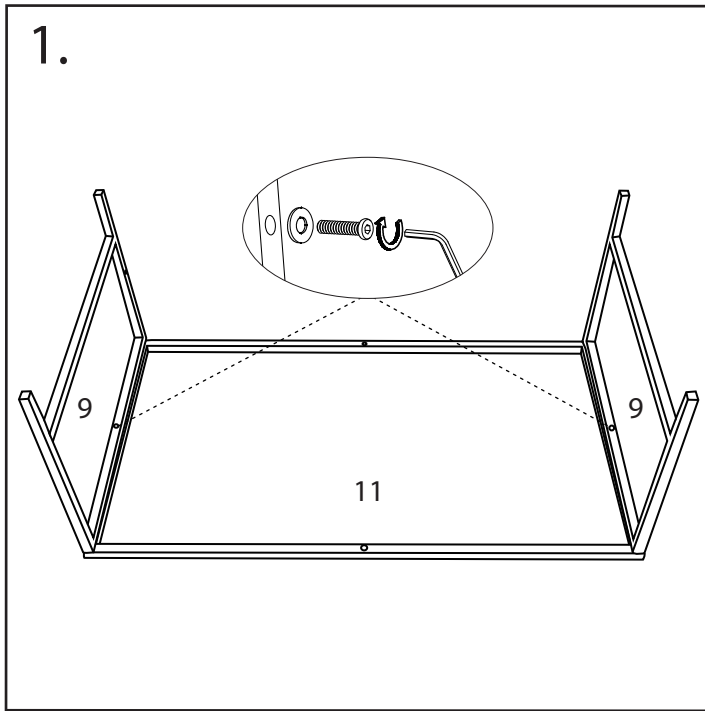
■ Double Rattan Chair Installation step



Installation step

For successful installation, When installing, please do not tighten the screws once, when the screws are all installed, a unified tighten all the screws

■ Rattan Coffee Table Installation step



Dear Customers

Thanks for buying from us. Hope you are pleased with your purchase. Any problem or suggestion concerning our products and online service, please kindly contact us. We will reply you in 24 hours and try our best to be helpful. For any questions, please contact us freely.

Your shopping experience is very important to us. We would like to invite you to leave favourable review and feedback on our product and service. It may only take a few minutes, but it's the greatest way to help others make purchase like yours!

We are looking forward to provide you the best experience again!

Wish you a nice shopping!

Yours sincerely