

ASSEMBLY INSTRUCTION

Thank you for purchasing this quality product. Be sure to check all packing material carefully for small parts which may have come loose inside the carton during shipment. Separate, identify and count all parts and hardware. Compare with the parts list to be sure all parts are present.

IMPORTANT : PLEASE READ INSTRUCTION BEFORE STARTING THE ASSEMBLY.

"DO NOT TIGHTEN SCREWS UNTIL COMPLETELY ASSEMBLED"

"DO NOT OVERTIGHT ANY HARDWARE"

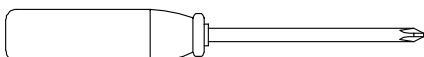
WARNING : SMALL PARTS AND HARDWARE NOT FOR CHILDREN UNDER 3 YEARS. ADULT ASSEMBLY REQUIRED.

TABLE OF CONTENTS

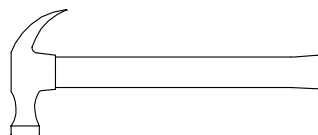
HARDWARES LIST	PAGE 2 - 3
PARTS LIST	PAGE 4 - 5
PARTS' LOCATION	PAGE 6
ASSEMBLY STEPS	PAGE 7 - 19
ASSEMBLY COMPLETED	PAGE 19

ASSEMBLY TOOLS REQUIRED

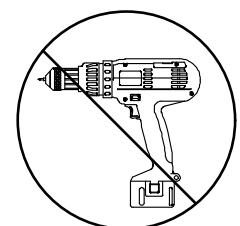
1. Screwdriver (not provide)



2. Hammer (not provide)


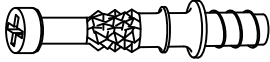

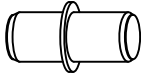

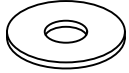
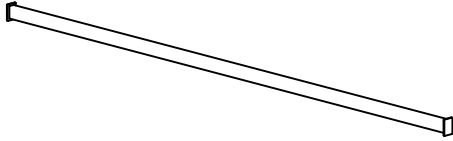
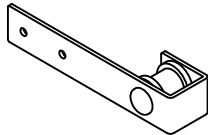
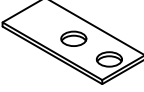
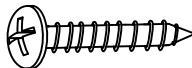


Skip the power trip this time.



ASSEMBLY INSTRUCTION

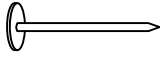
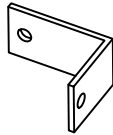


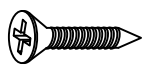
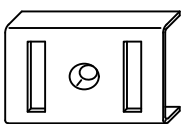
HARDWARES LIST

ITEM	DESCRIPTION	DRAWING	QTY
A	MINIFIX CAM LOCK		32 PCS
B	MINIFIX CAM BOLT		32 PCS
C	WOOD DOWEL (M8 x 25MM)		32 PCS
D	SHELF SUPPORT (M5 x 16mm)		4 PCS
E	JCBC SCREW M6 x 30MM		8 PCS
F	FLAT WASHER M6 x 19MM		8 PCS
G	METAL TUBE		1 PC
H	DOOR METAL HANGER		4 PCS
I	DOOR LEG		4 PCS
J	PANHEAD SCREW (M4 x 16mm)		24 PCS

MORE HARDWARES DETAIL IN NEXT PAGE...

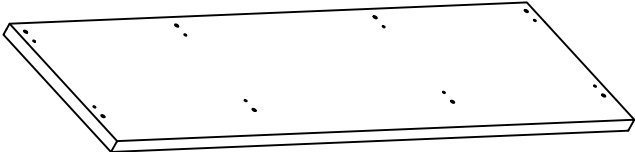
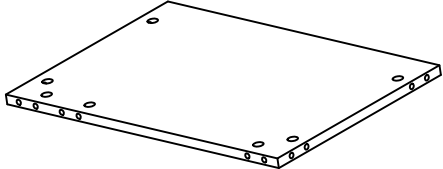
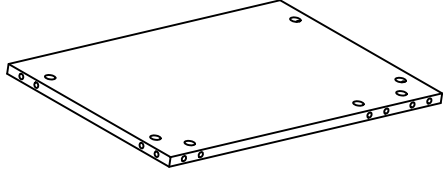
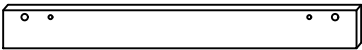
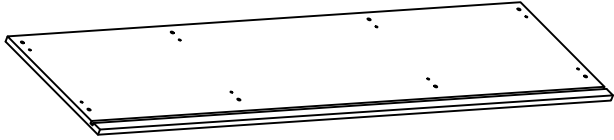
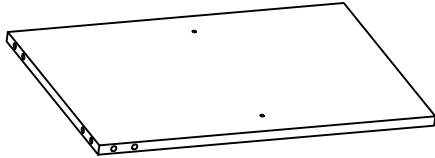
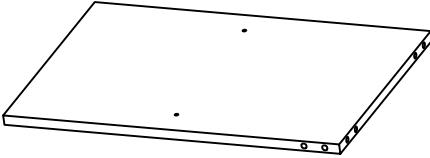
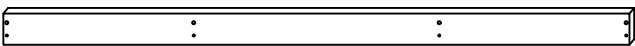
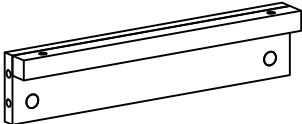
ASSEMBLY INSTRUCTION

HARDWARES LIST

ITEM	DESCRIPTION	DRAWING	QTY
L	6/8" NAIL		28 PCS
M	METAL TUBE HANGER (L SHAPE)		4 PCS
N	M4 ALLEN KEY (65MM)		1 PC
R	PLASTIC STRIP (H SHAPE)		1 PC
S	CSK C/B SCREW (M3 x 10MM)		8 PCS
T	BOTTOM SUPPORT PLASTIC (WHITE)		8 PCS

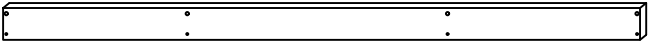

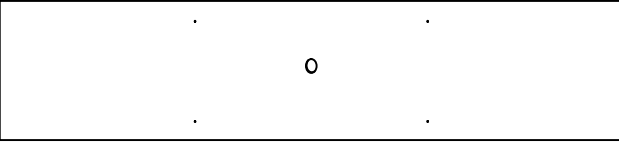
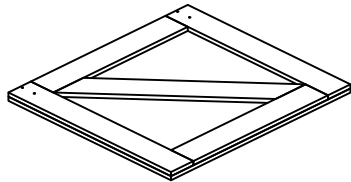
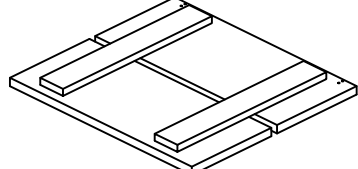
ASSEMBLY INSTRUCTION

PARTS LIST

ITEM	DESCRIPTION	DRAWING	QTY
1	TOP PANEL		1 PC
2	LEFT PANEL		1 PC
3	RIGHT PANEL		1 PC
4	SIDE SUPPORT RAIL		2 PCS
5	BOTTOM PANEL		1 PC
6	LEFT MIDDLE PANEL		1 PC
7	RIGHT MIDDLE PANEL		1 PC
8	FRONT TOP SUPPORT RAIL		1 PC
22	LEG (i)		4 PCS

ASSEMBLY INSTRUCTION

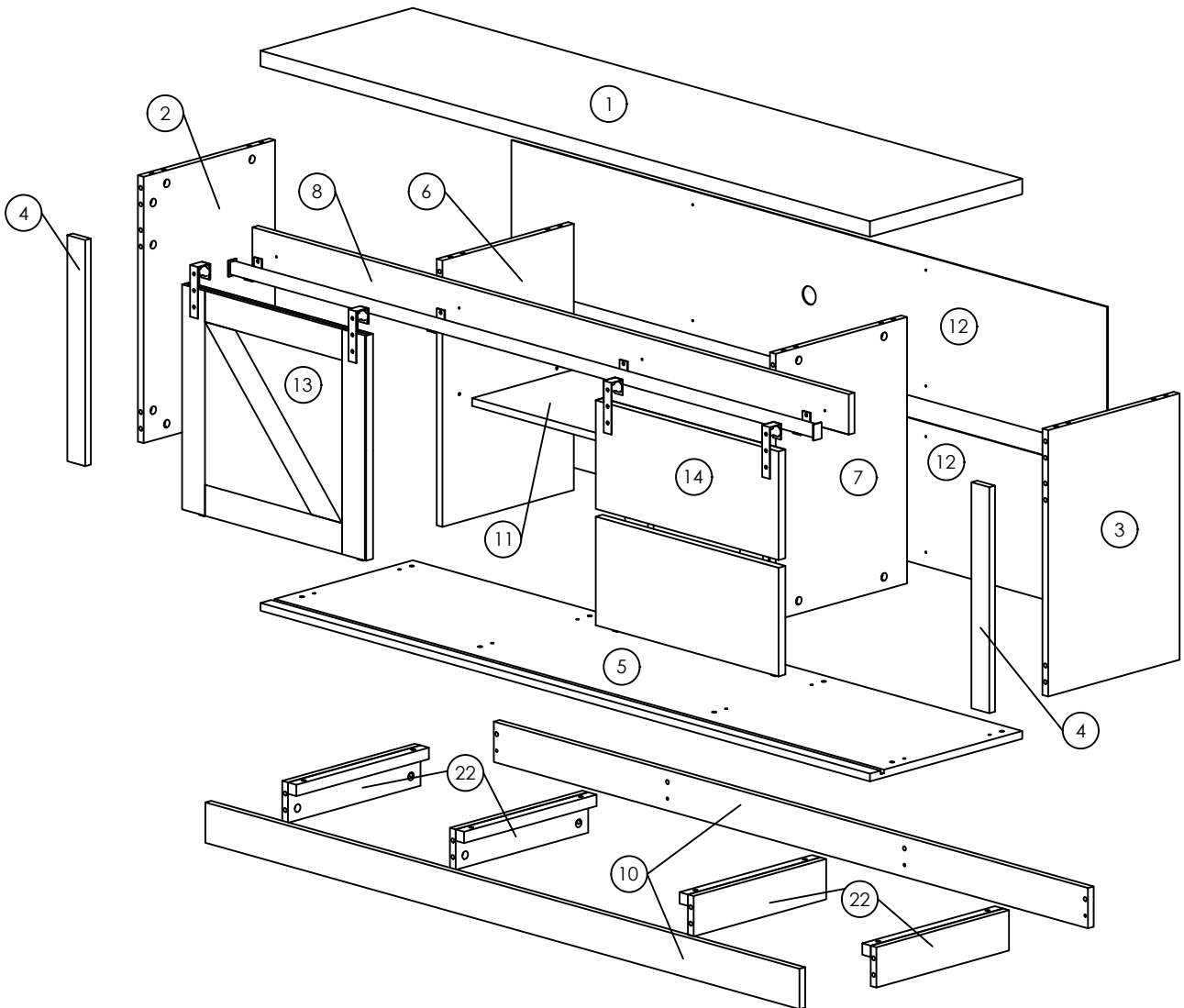
PARTS LIST

ITEM	DESCRIPTION	DRAWING	QTY
10	LEG (ii)		2 PCS
11	SHELF PANEL		1 PC
12	BACK PANEL		2 PCS
13	DOOR (i)		1 PC
14	DOOR (ii)		1 PC

ASSEMBLY INSTRUCTION

PARTS ' LOCATION

TV STAND x 1 PC

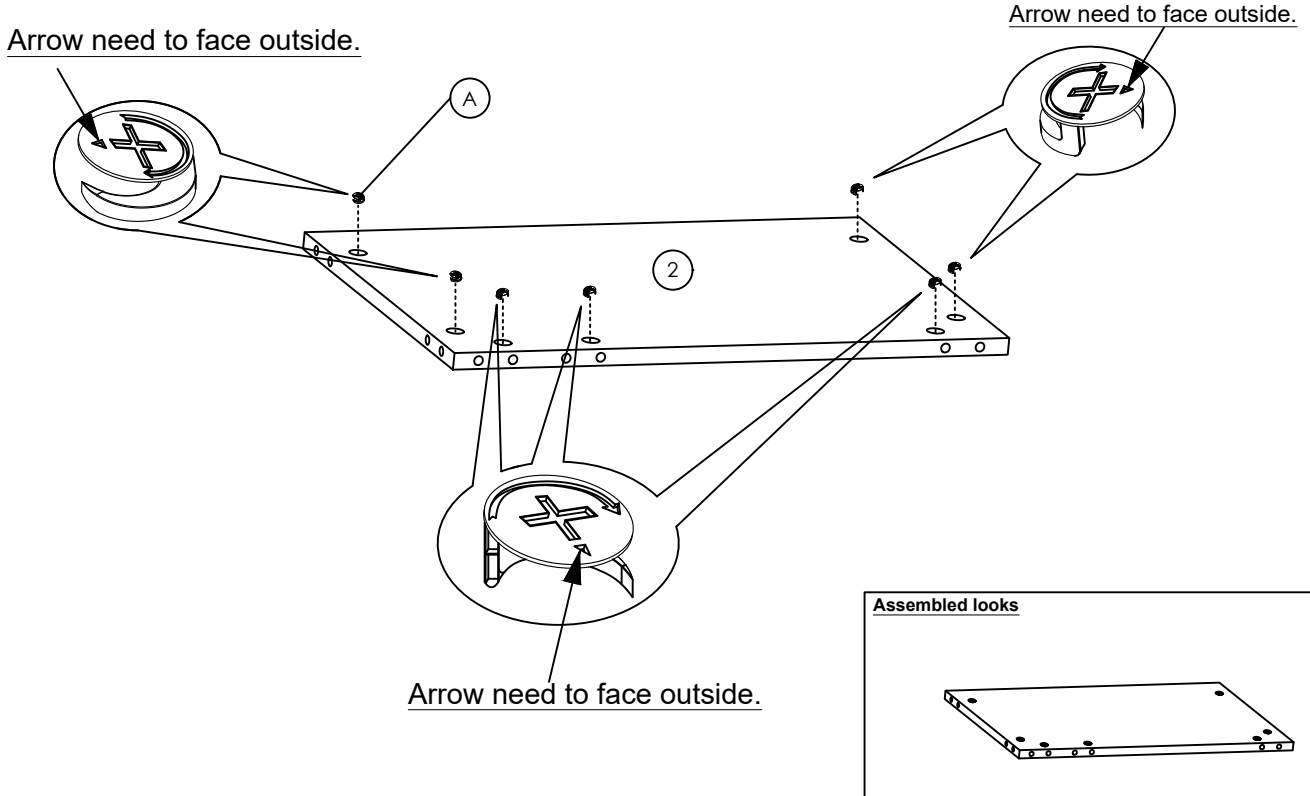


ASSEMBLY INSTRUCTION

ASSEMBLY STEPS

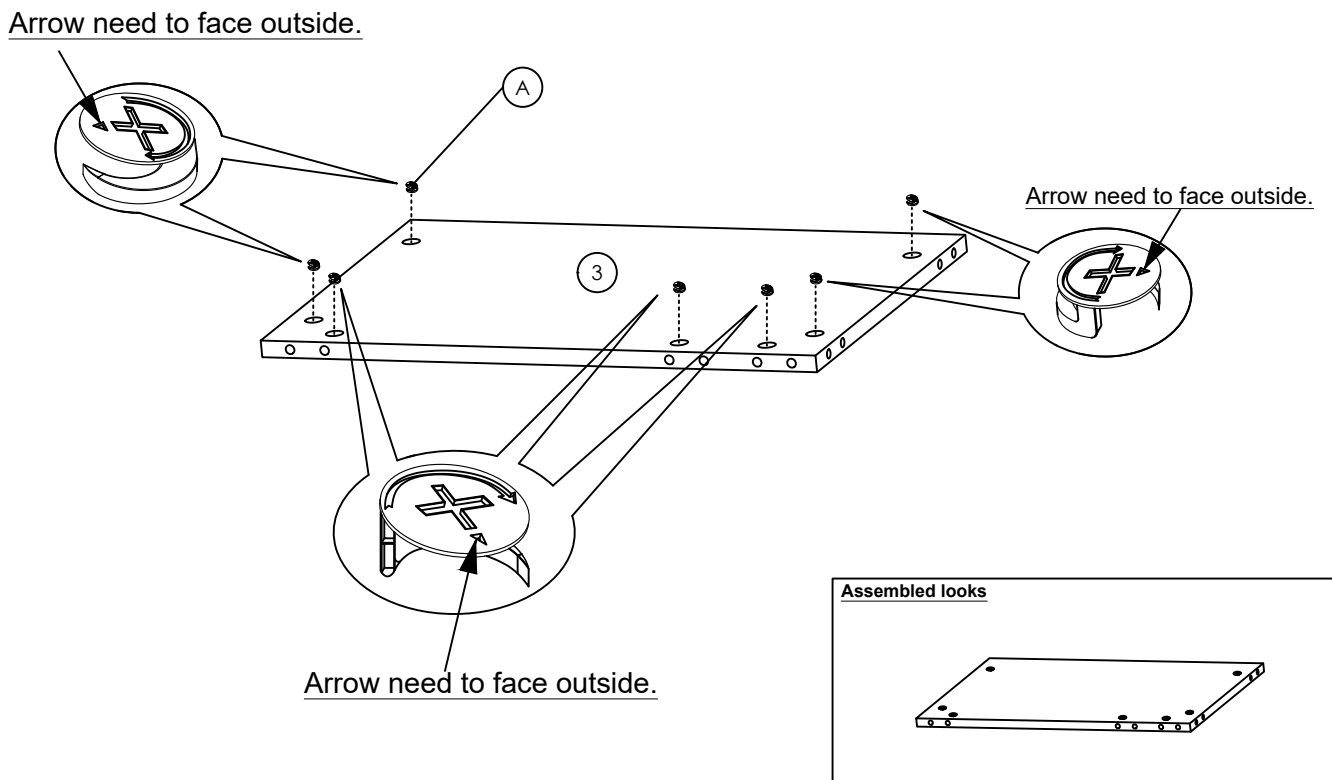
STEP 1

Insert 7 pieces (A) to the (2) as shown.



STEP 2

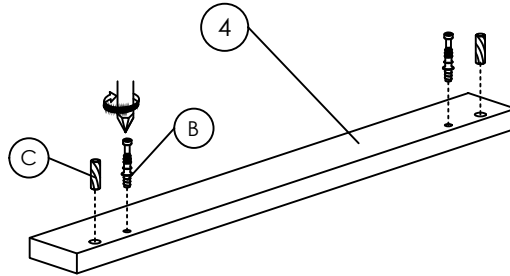
Insert 7 pieces (A) to the (3) as shown.



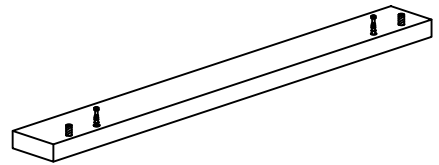
ASSEMBLY INSTRUCTION

STEP 3

Insert 2 pieces (B),(C) and to the (4) as shown. This step needs to be **done twice**.

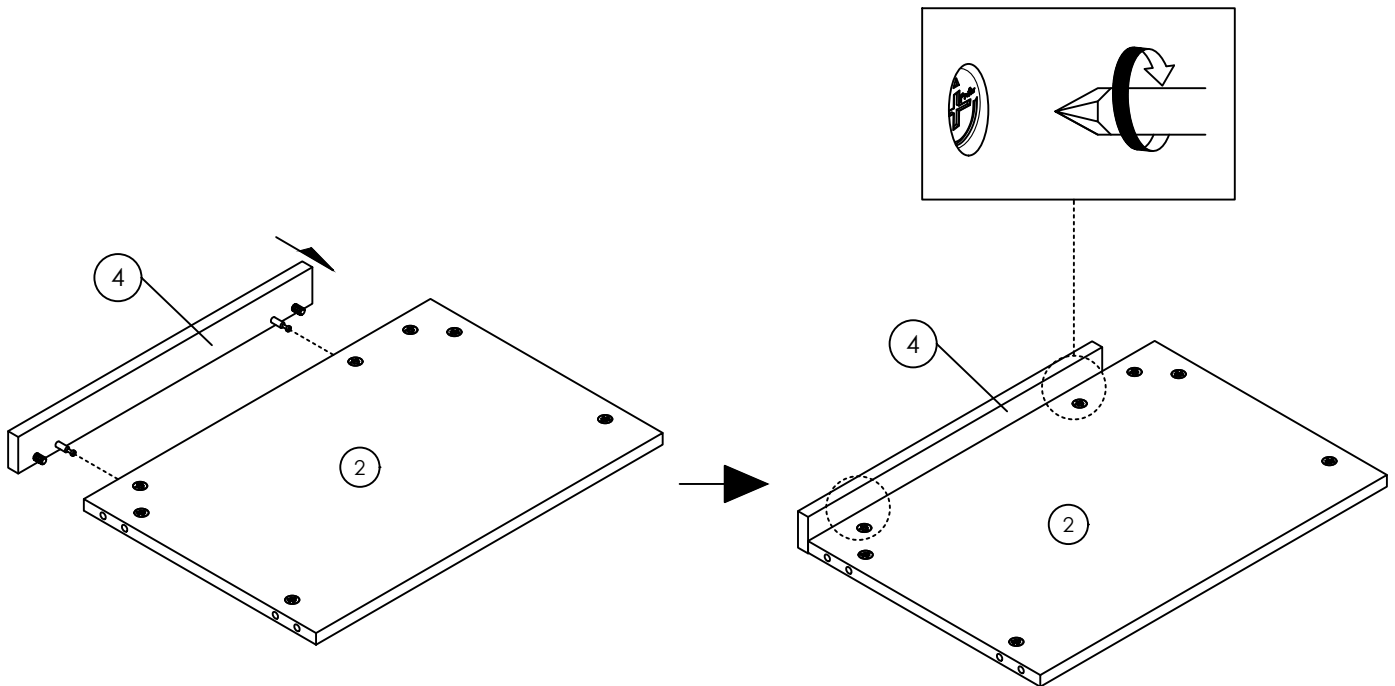


Assembled looks



STEP 4

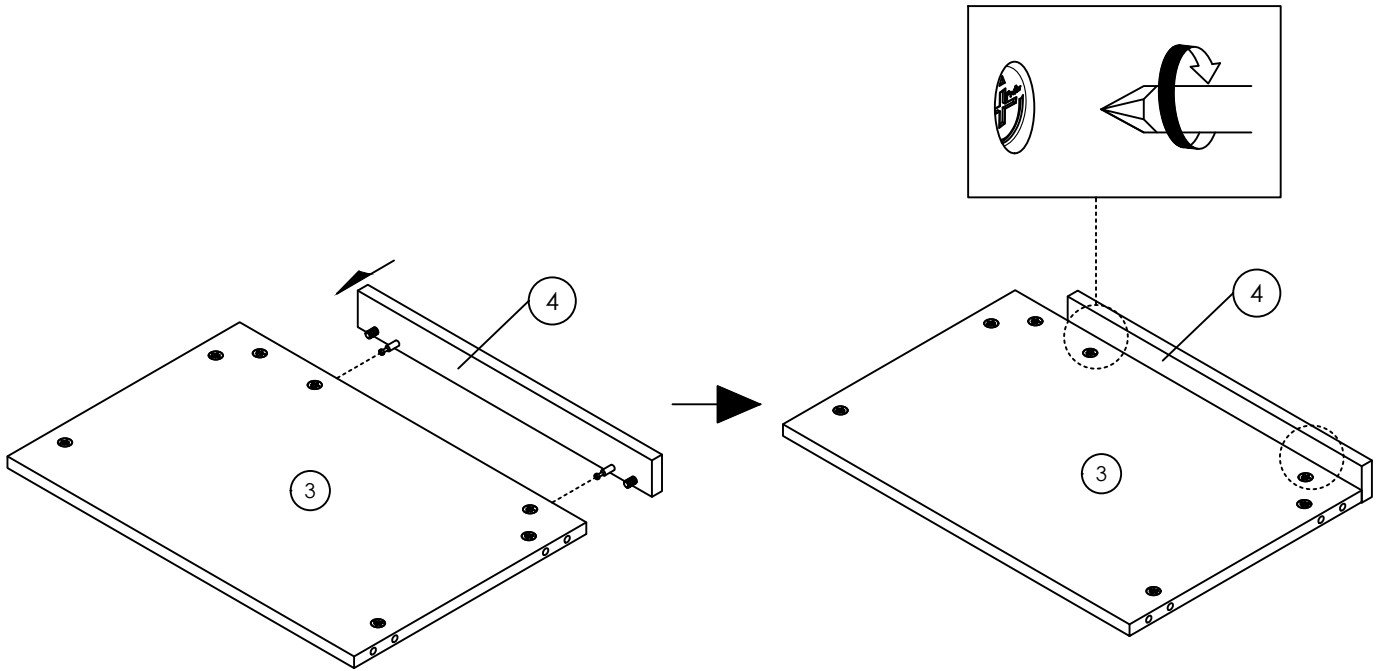
Combine (4) to the (2) then tighten the 2 pieces (A)-(pre insert in step 1) as shown.



ASSEMBLY INSTRUCTION

STEP 5

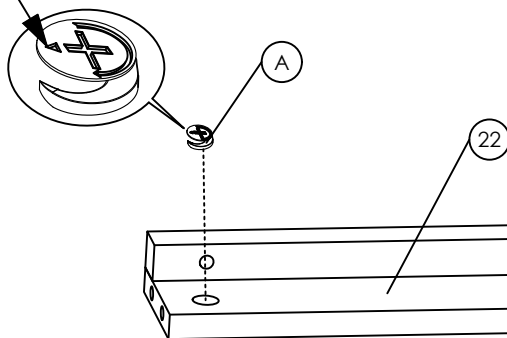
Combine (4) to the (3) then tighten the 2 pieces (A)-(pre insert in step 2) as shown.



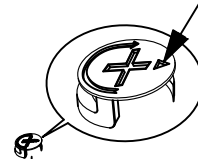
STEP 6

Insert 2 pieces (A) to (22) as shown. This step needs to be **done four times**.

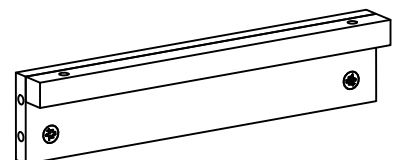
Arrow need to face outside.



Arrow need to face outside.



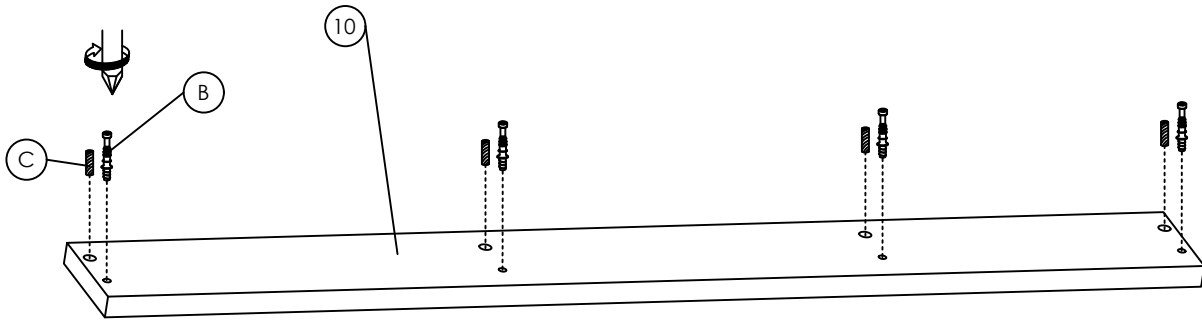
Assembled looks



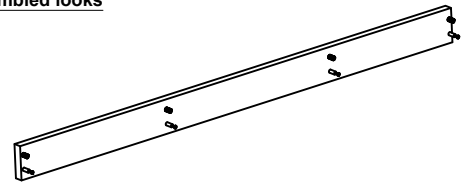
ASSEMBLY INSTRUCTION

STEP 7

Insert 4 pieces (B) and (C) to the (10) as shown. This step needs to be done **twice**.

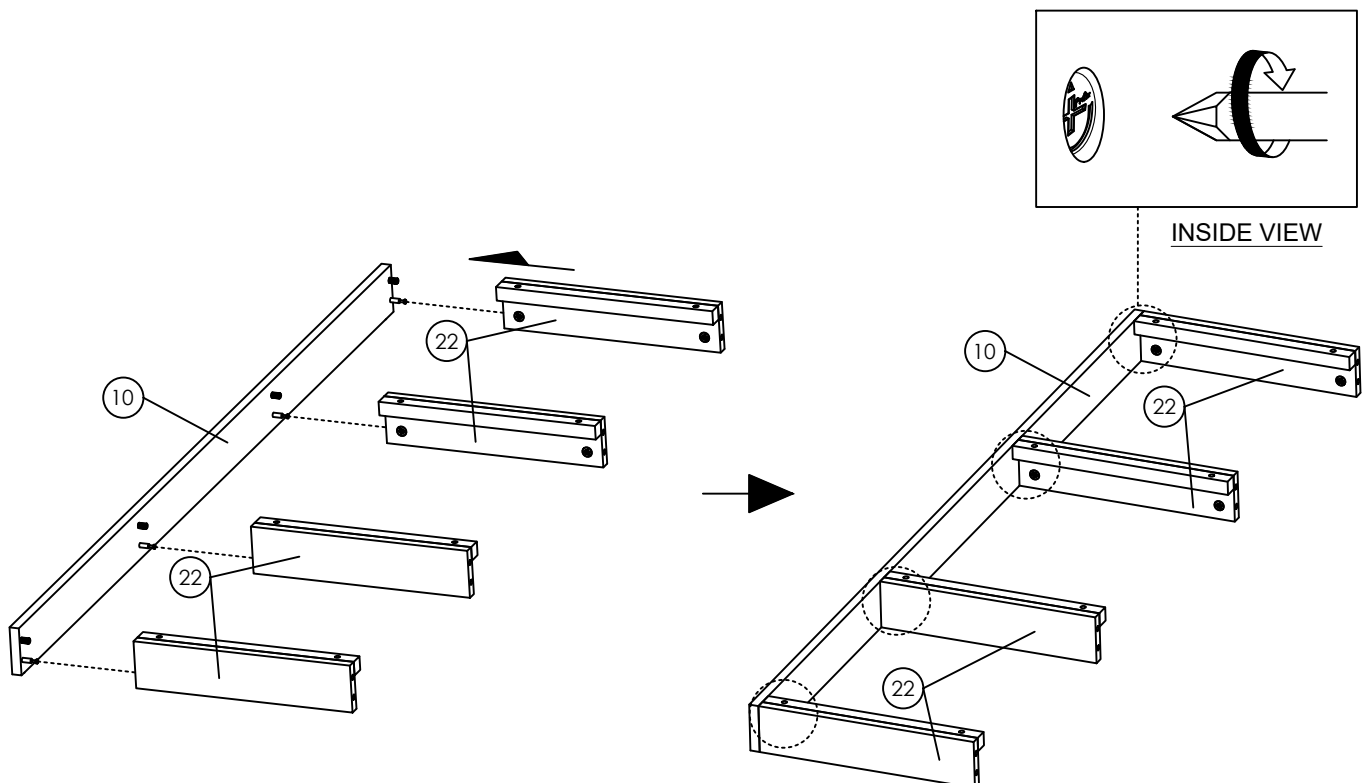


Assembled looks



STEP 8

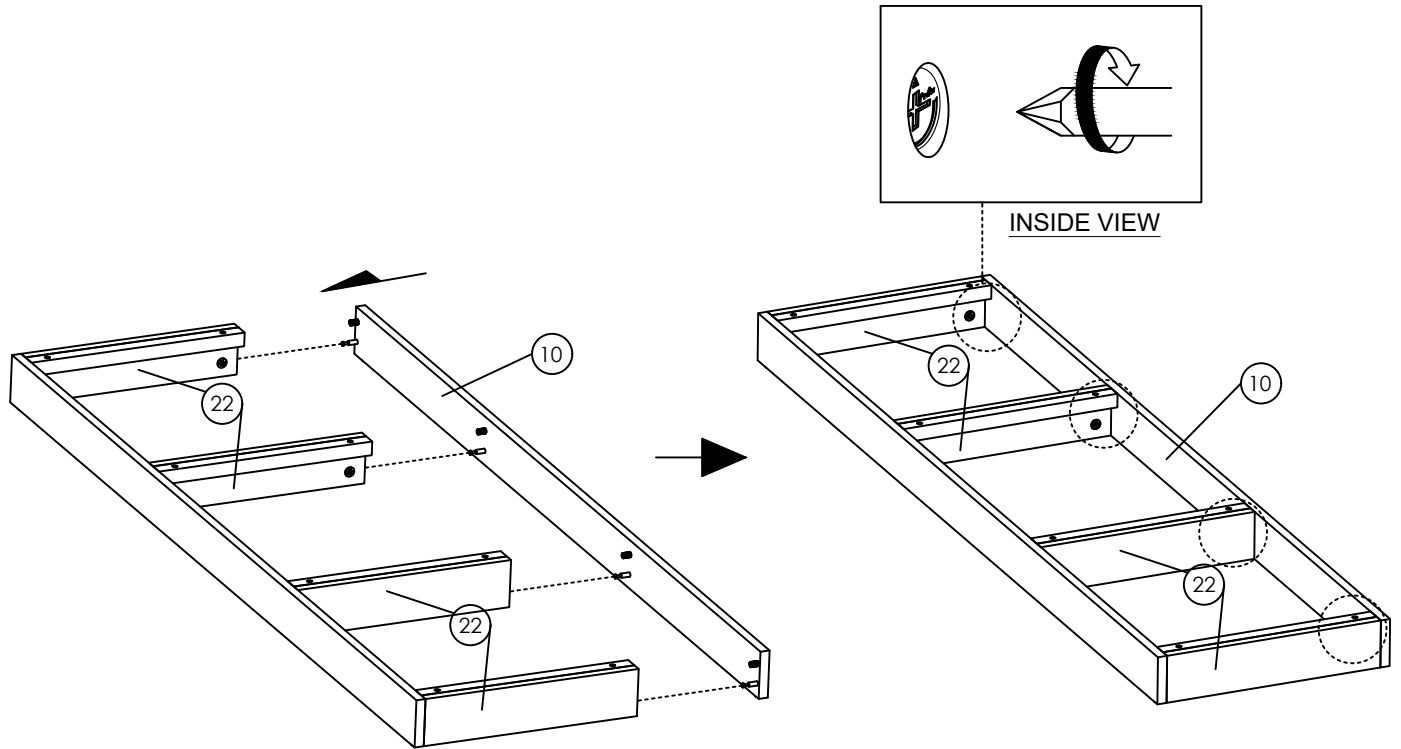
Combine the (22) to the (10) and tighten the 4 pieces (A)-(pre insert in step 6) as shown.



ASSEMBLY INSTRUCTION

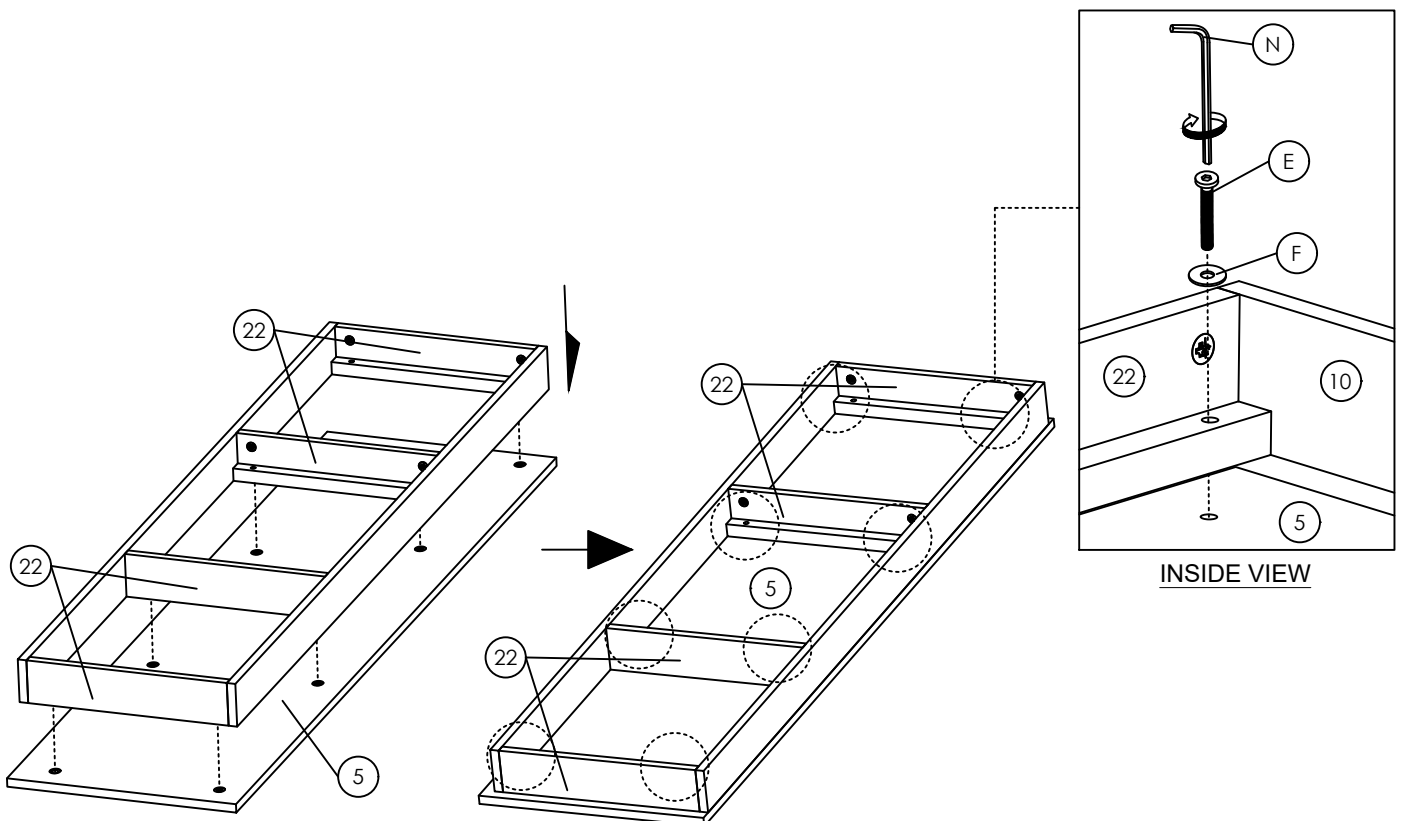
STEP 9

Combine the (10) to the (22) and tighten the 4 pieces (A)-(pre insert in step 6) as shown.



STEP 10

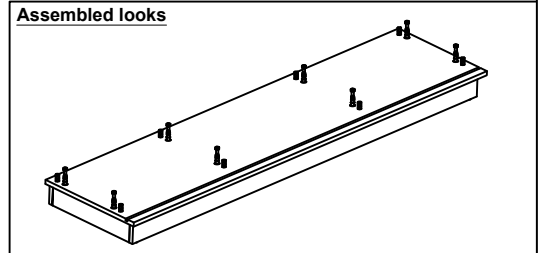
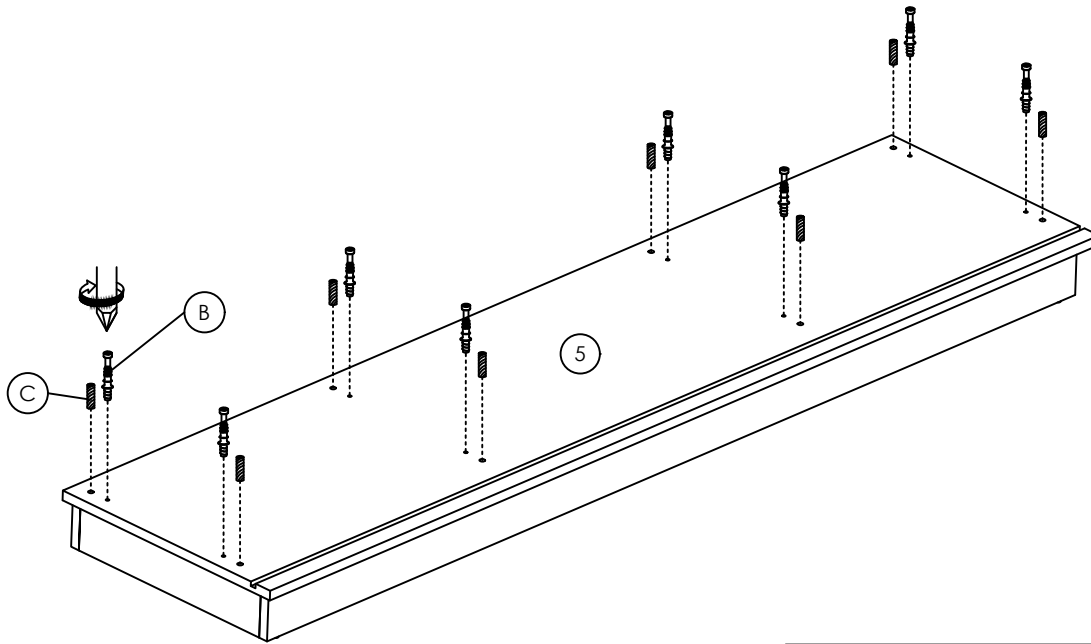
Insert 8 pieces (E),(F) to combine the (22)-(pre combine in step 8,9) to the (5) as shown.



ASSEMBLY INSTRUCTION

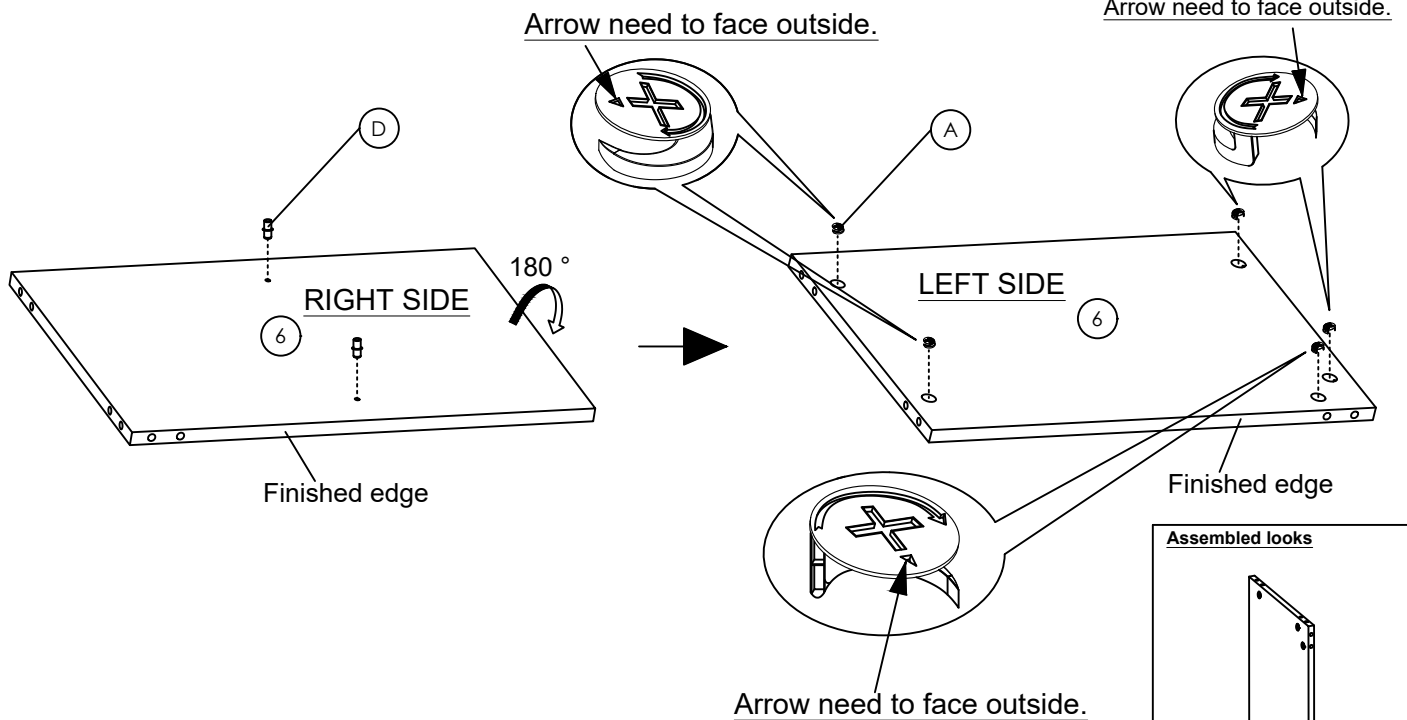
STEP 11

Insert 8 pieces (B) and (C) to the (5)-(pre finished in step 10) as shown.



STEP 12

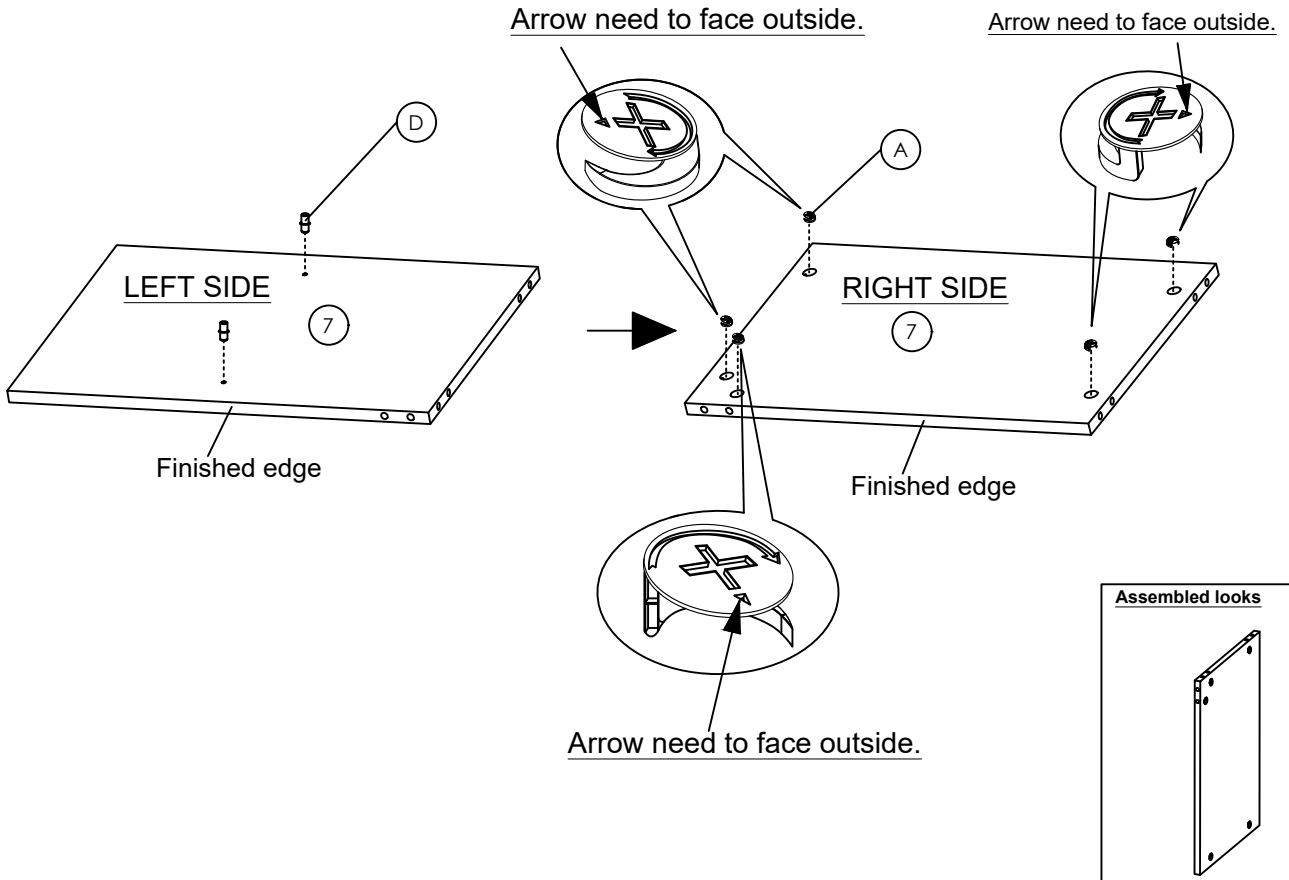
Insert 2 pieces (D) to the right side of (6) as shown.
Then insert 5 pieces (A) to the left side of (6) as shown.



ASSEMBLY INSTRUCTION

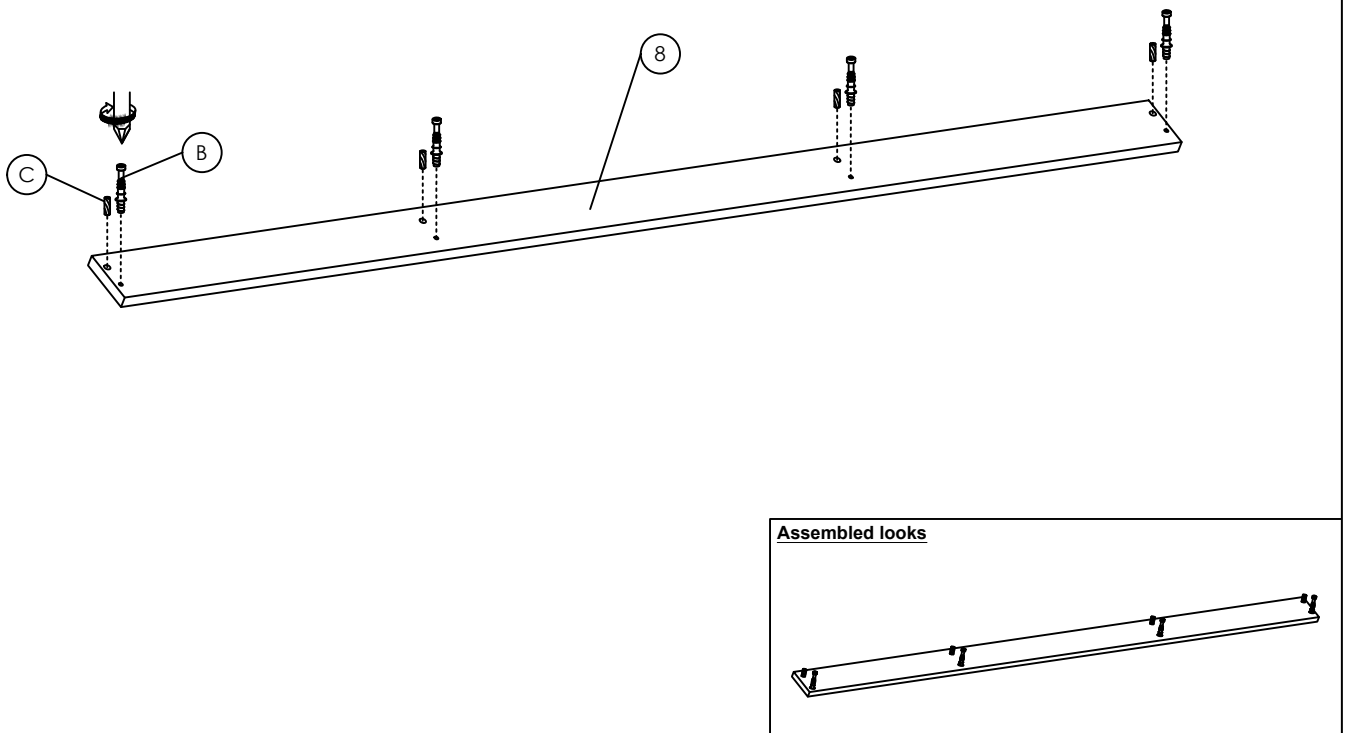
STEP 13

Insert 2 pieces (D) to the left side of (7) as shown.
Then insert 5 pieces (A) to the right side of (7) as shown.



STEP 14

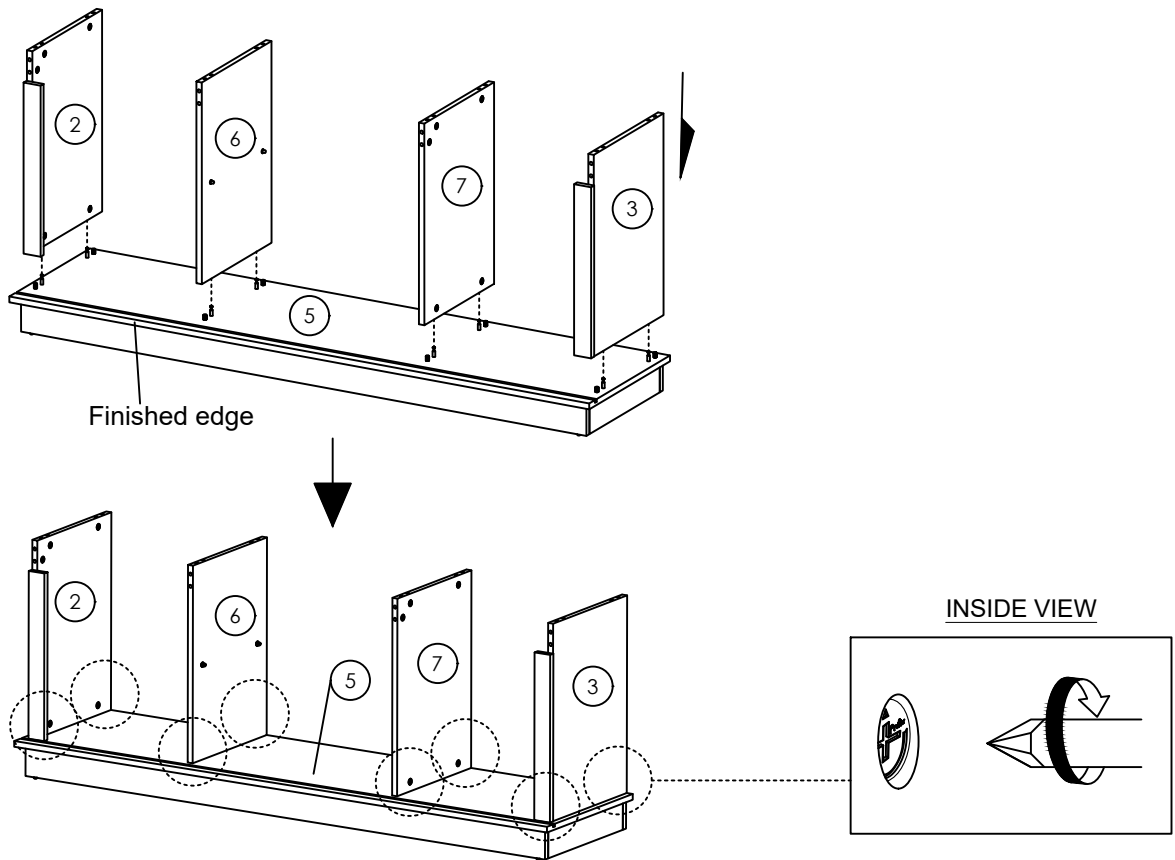
Insert 4 pieces (B) and (C) to the (8) as shown.



ASSEMBLY INSTRUCTION

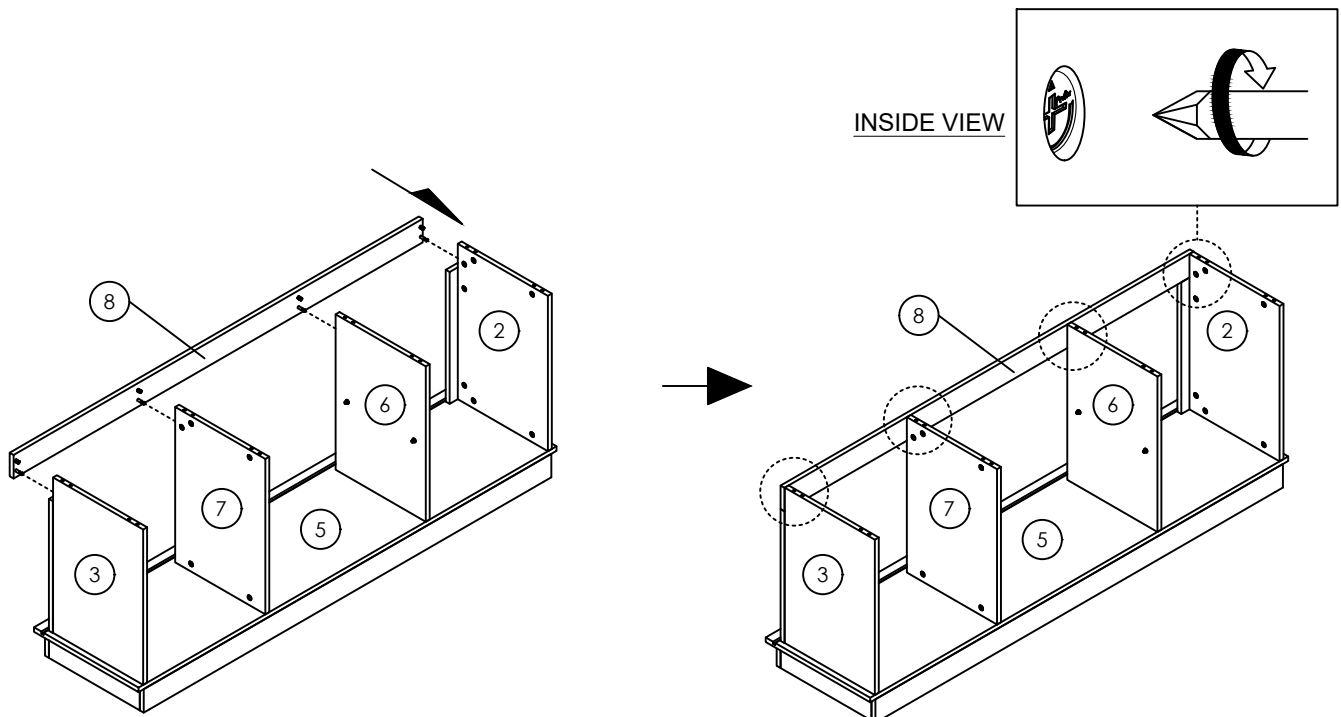
STEP 15

Combine the (2),(3),(6),(7) to the (5) and tighten the 8 pieces (A)-(pre insert in step 1, 2, 12, 13) as shown.



STEP 16

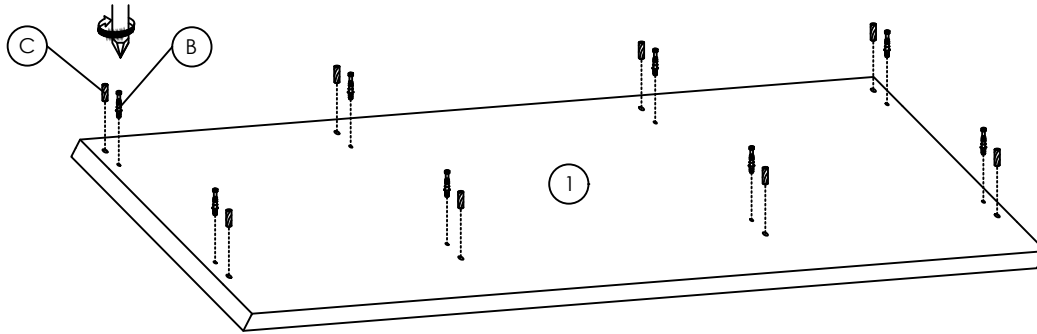
Combine the (8) to the (2),(3),(6),(7) and tighten the 4 pieces (A)-(pre insert in step 1, 2, 12, 13) as shown.



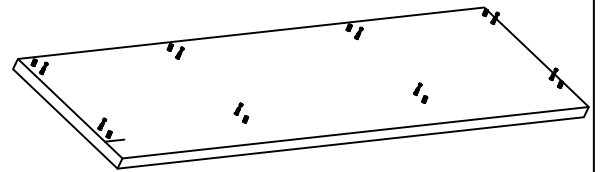
ASSEMBLY INSTRUCTION

STEP 17

Insert 8 pieces (B) and (C) to the (1) as shown.



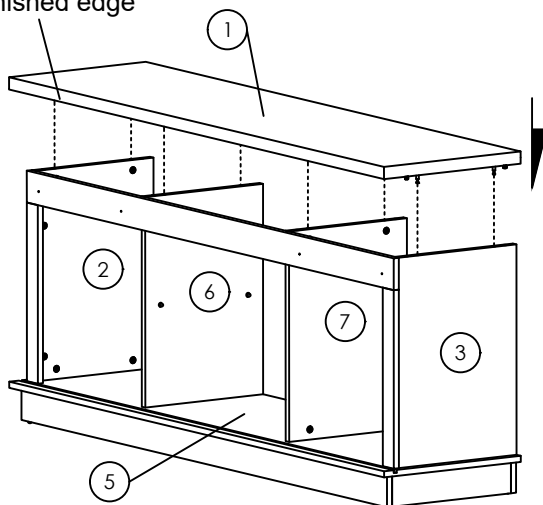
Assembled looks



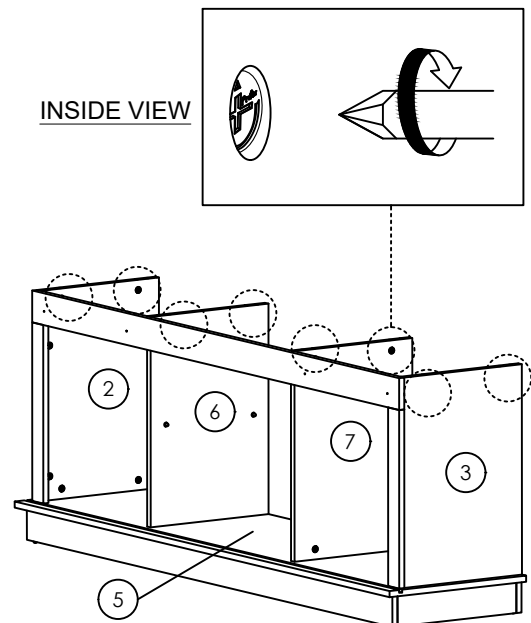
STEP 18

Combine the (1) to the (2),(3),(6),(7) then tighten the remaining 8 pieces (A)-(pre insert in step 1, 2, 12, and 13) as shown.

Finished edge



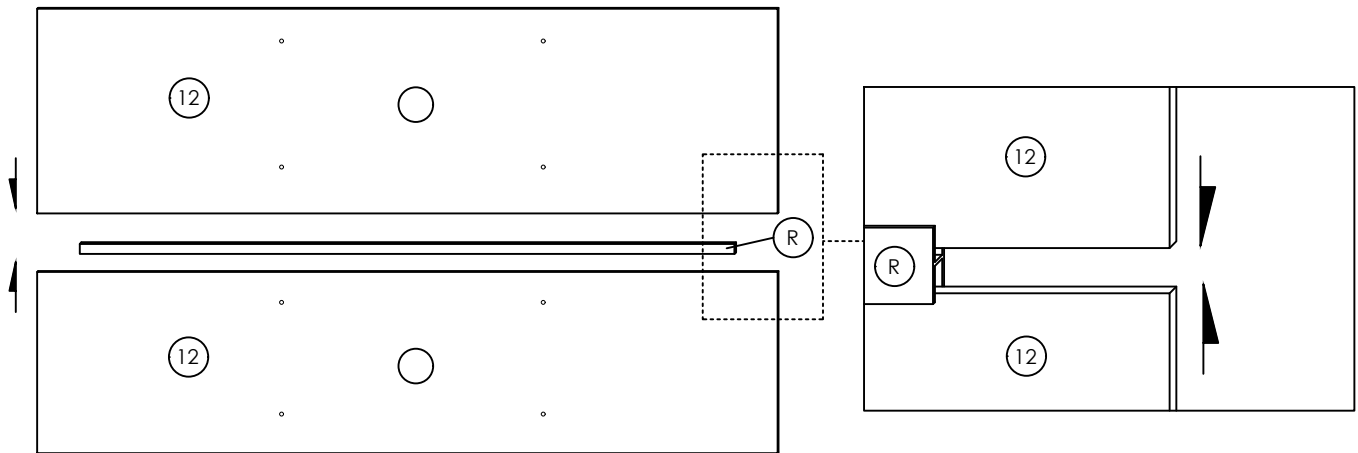
INSIDE VIEW



ASSEMBLY INSTRUCTION

STEP 19

Put the 2 pieces (12) to the gap of (R) as shown. Direction of the side with colored paper must be the same.

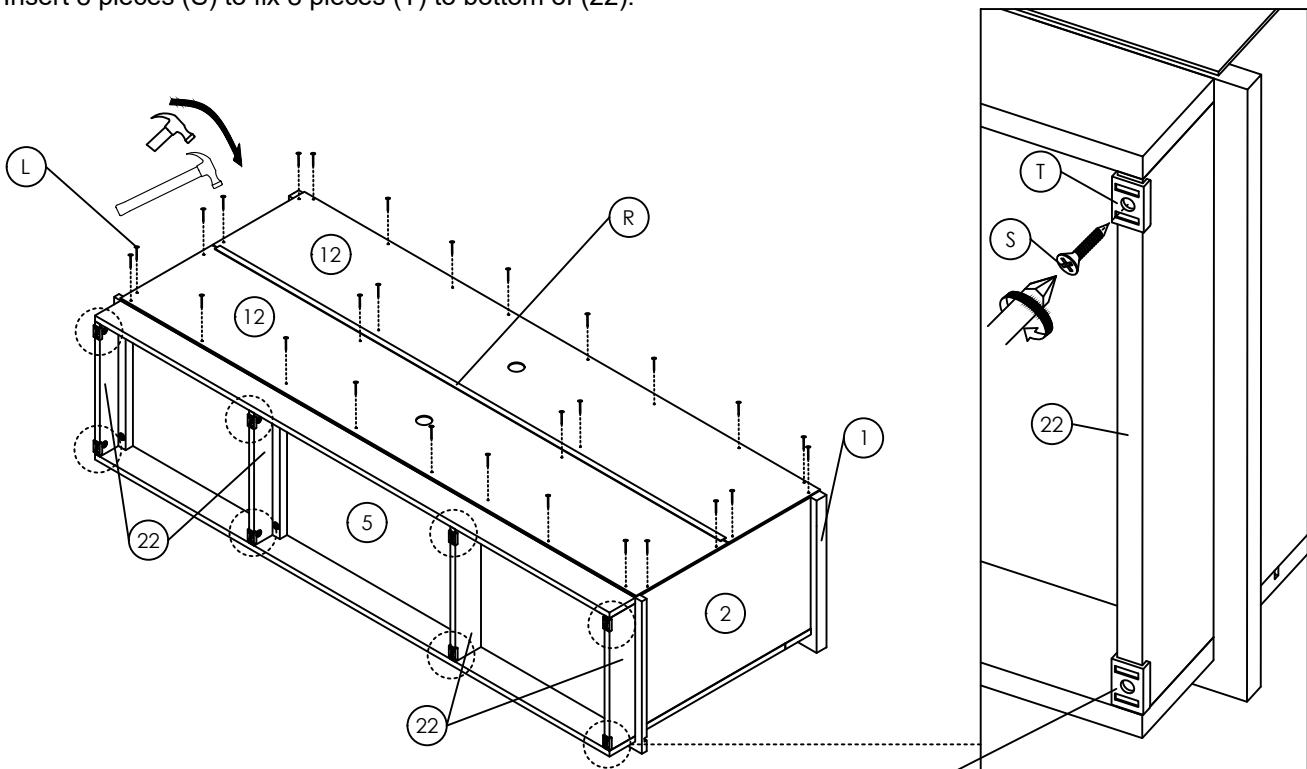


STEP 20

Insert the 28 pieces (L) to fix the 2 piece (12) as shown. Colored paper face to outside.

To prevent blocking (2) and (3), make sure the (R) at the middle of 2 pieces (12), do not over left or right.

Insert 8 pieces (S) to fix 8 pieces (T) to bottom of (22).

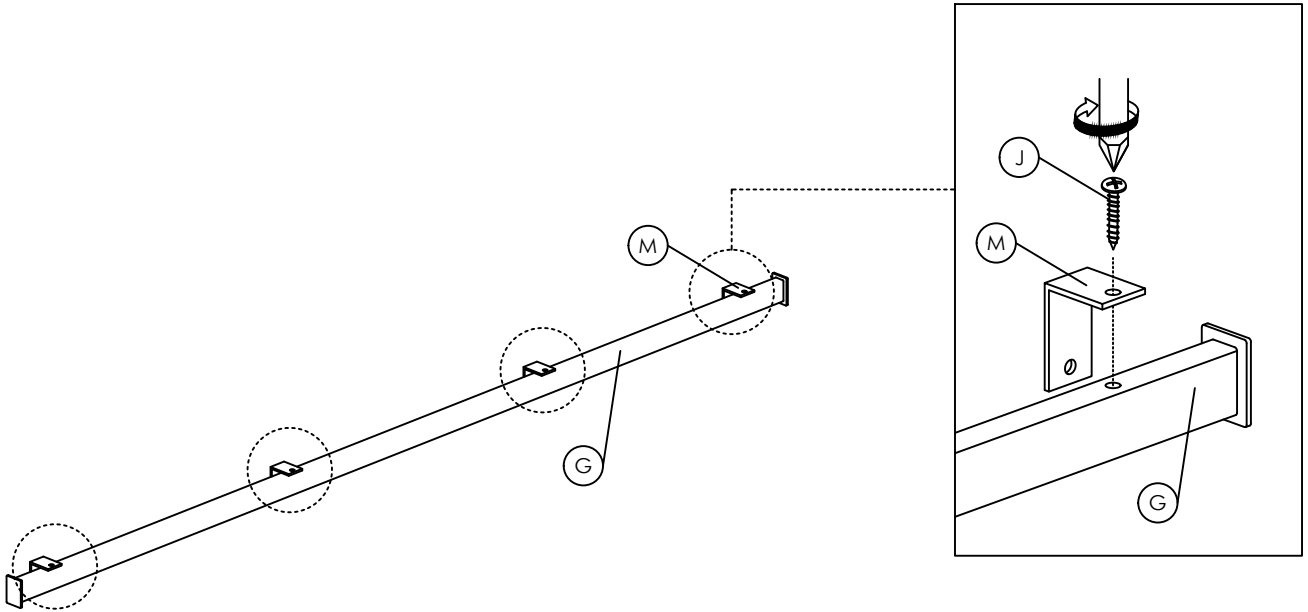


Need to step aside to fix, avoid the hole of (A)

ASSEMBLY INSTRUCTION

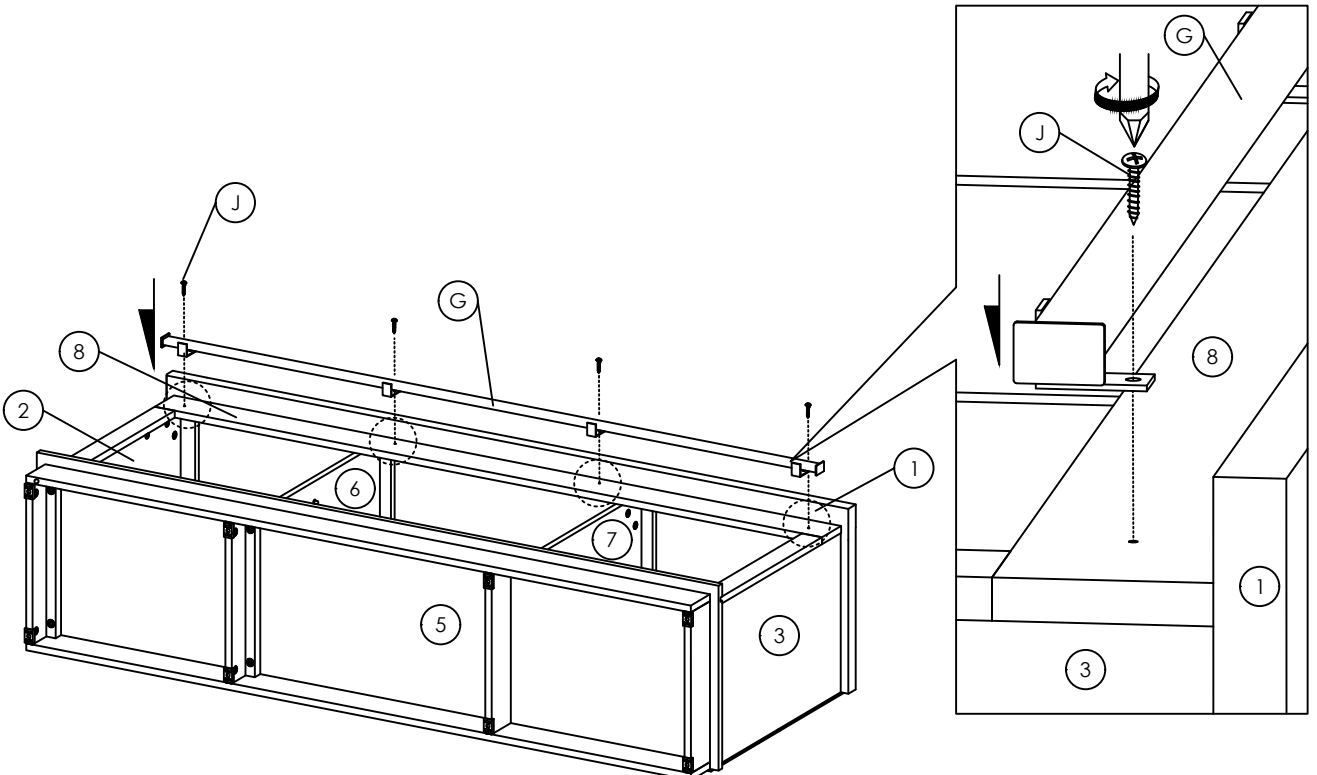
STEP 21

Insert 4 pieces (J) to fix the (M) to the (G).



STEP 22

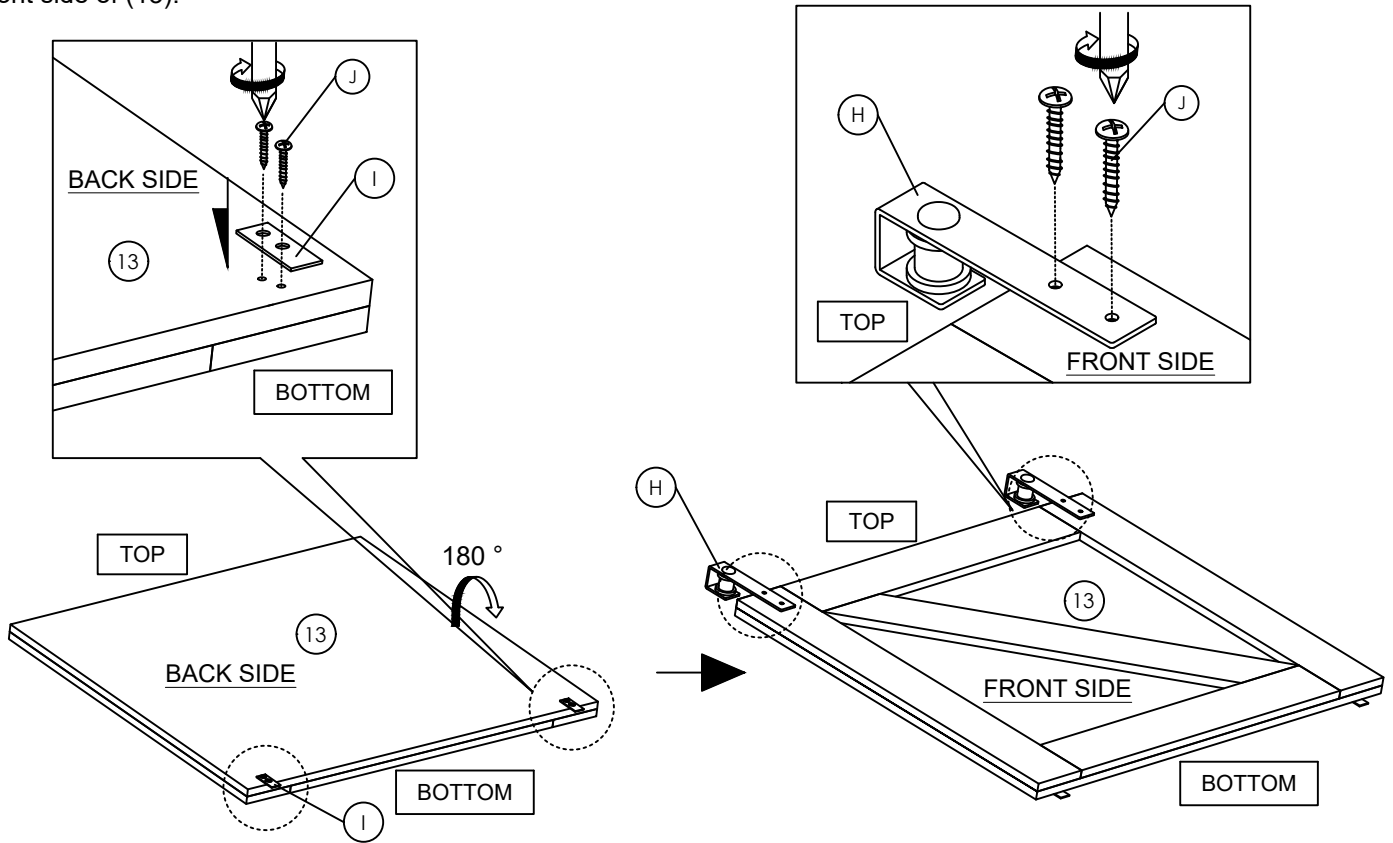
Insert 4 pieces (J) to fix the (G) to the (8).



ASSEMBLY INSTRUCTION

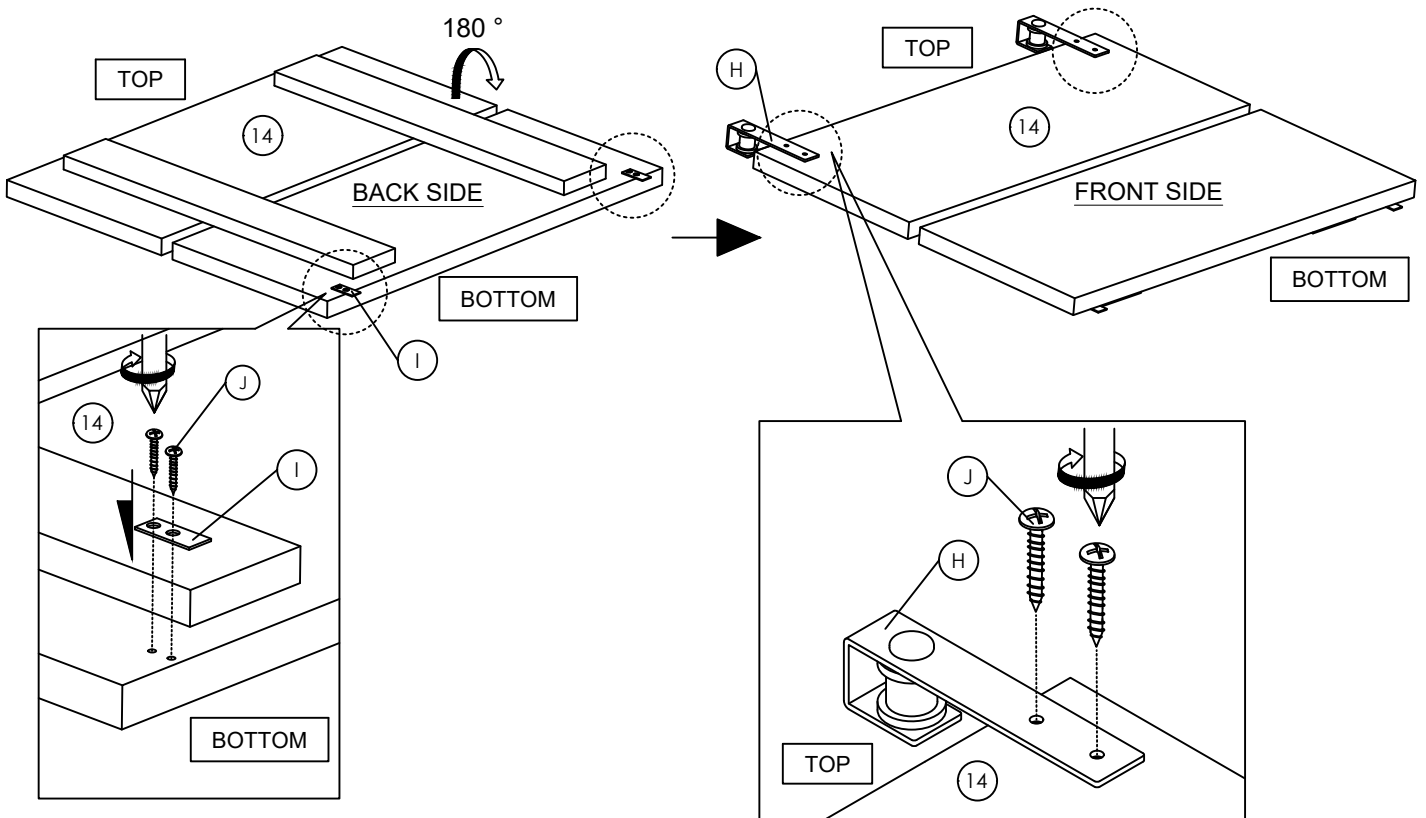
STEP 23

Insert 4 pieces (J) to fix the 2 pieces (I) to the back side of (13). Then insert 4 pieces (J) to fix the 2 pieces (H) to the front side of (13).



STEP 24

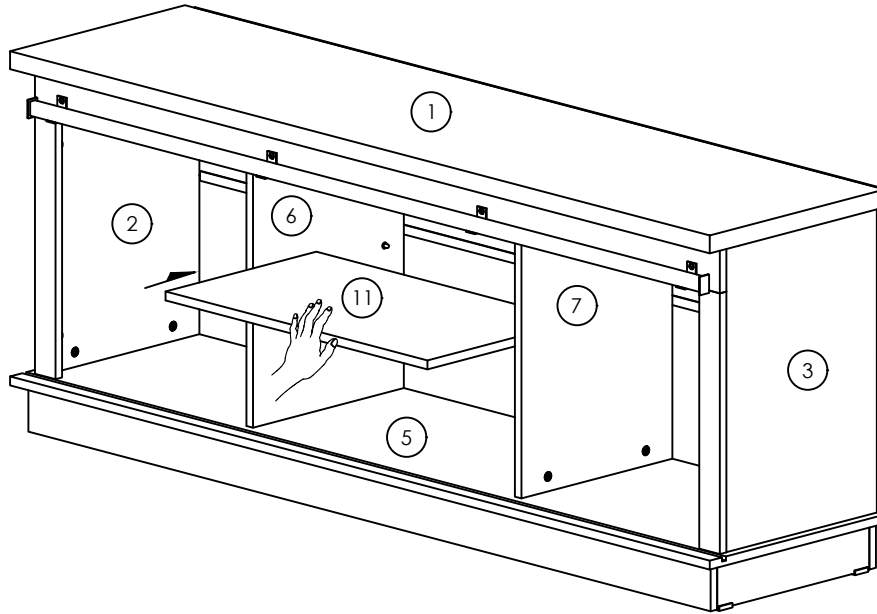
Insert 4 pieces (J) to fix the 2 pieces (I) to the back side of (14). Then insert 4 pieces (J) to fix the 2 pieces (H) to the front side of (14).



ASSEMBLY INSTRUCTION

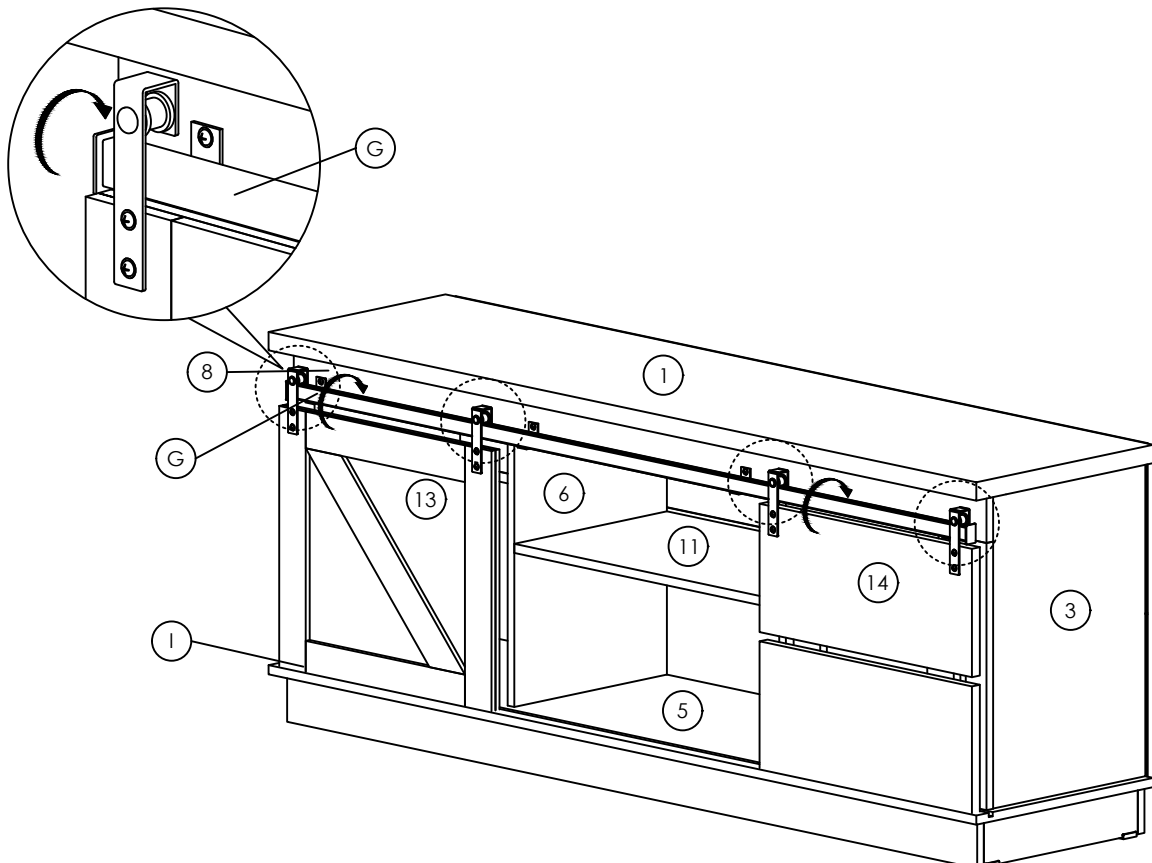
STEP 25

Put the (11) on the (D) which between (6) and (7) as shown.



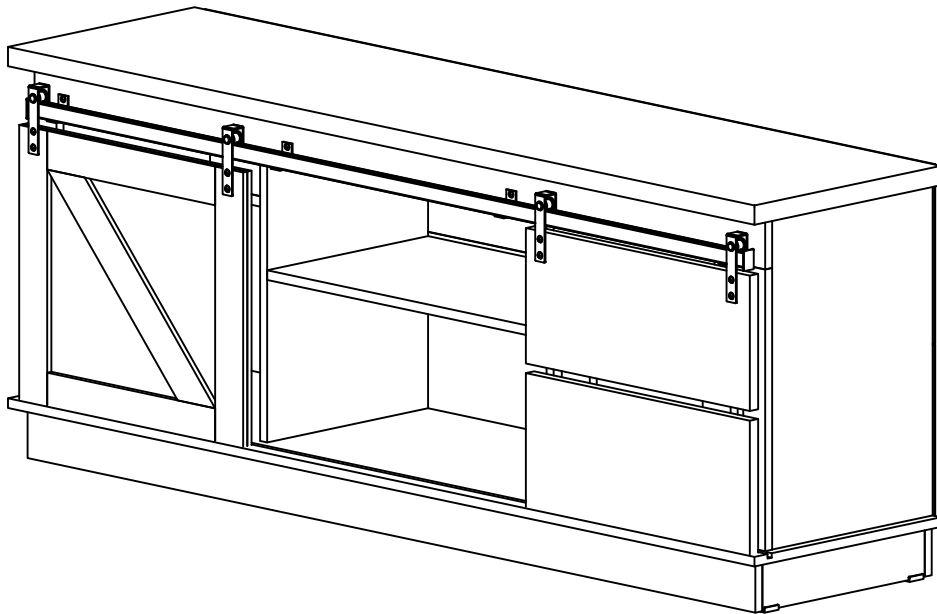
STEP 26

Put the (13) and (14) on the (G) , and align the position that put the (I) to inside groove of (5) as shown.



ASSEMBLY INSTRUCTION

STEP 27



ASSEMBLY COMPLETED