

- ! Do not throw away packaging materials until assembly is complete.
- ! Assemble this item on a soft surface, such as cardboard or carpet, to protect finish.
- ! Proper assembly of this item requires 2 people & would require approx 20 minutes to assemble.

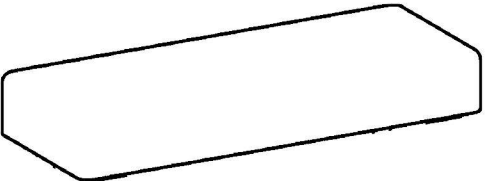
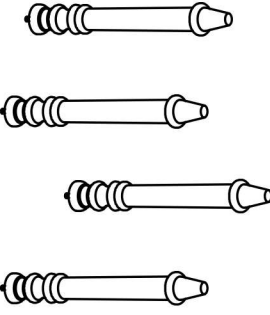
**CARE INSTRUCTIONS**

Wipe with a soft, dry cloth. To protect finish, avoid the use of chemicals and household cleaners.

Any liquid spilled onto the table should be cleaned up immediately with a damp cloth.

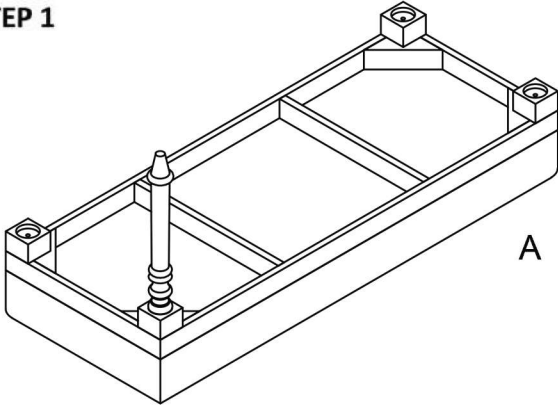
Thank you for purchasing this quality product. Be sure to check all packing material carefully for small parts, which may have come loose inside the carton during shipment. Identify and count all parts and compare with the hardware and parts list below.

**PART LIST & HARDWARE DESCRIPTION-**

<p>PART (A) Bench Sheet (1pc)</p> 	<p>PART (B) Legs. (4pcs)</p> 
---	---

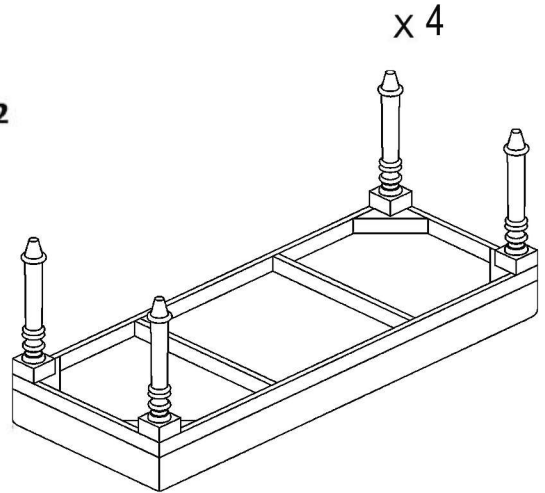
**STEP OF ASSEMBLY:-**

**STEP 1**



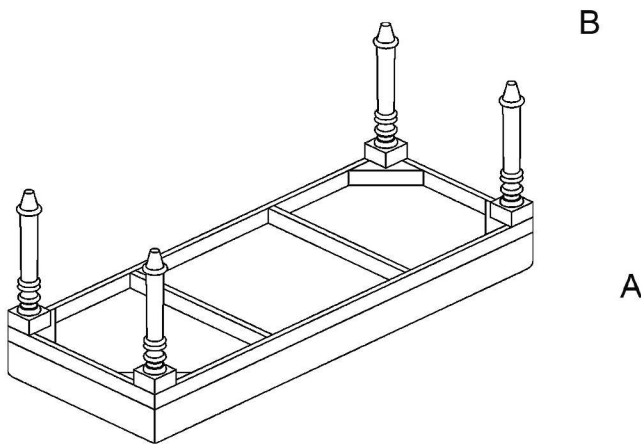
Put Bench (A) on flat Surface

**STEP 2**



Put Legs (B) in Alinment With (A) part in holes and fix it

**STEP 3**



Rotete the All legs and fix it

**FINAL PICTURE**

