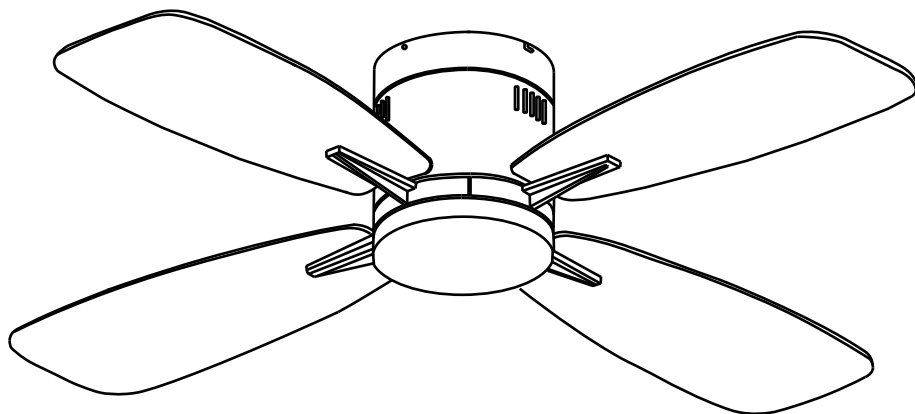


User Manual

42-inch ceiling fan



Warm Tips

1. Wall switch light memory: (Figure 1)

* Keep the light on for more than 10 seconds

* Turn off wall switch

* Wait 10 seconds to turn on wall switch, it will remember the last light setting.

If quickly toggle the wall switch within 5 seconds, the CCT will switch.

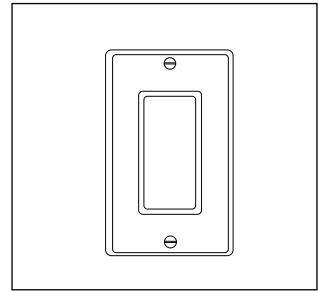


Figure 1

2. The lighting kit can be replaced if fault in the future.

WARNING!!!

● To avoid fire, shock and serious personal injury, follow these instructions.

1. Read your user manual and safety information before installing your new fan. Review the accompanying assembly diagrams.

2. Before servicing or cleaning the unit, switch off the power at the service panel and lock the service panel to prevent accidental power activation. If the service disconnecting means cannot be locked, securely attach a warning device, such as a tag, to the service panel.

3. Exercise caution around the fan and its blades when clearing, repairing, or working near the fan. Always turn off the power to the ceiling fan before performing any maintenance.

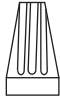



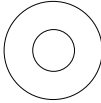



4. Do not insert any objects into the fan blades while the fan is in operation.

5. This appliance is not intended for use by young children or individuals with disabilities without supervision. Young children should be supervised to ensure they do not play with the appliance.

6. Before installing your ceiling fan, refer to the section on the proper wiring method for your fan. If you feel that you lack sufficient knowledge or experience in wiring, it is recommended to have a licensed electrician install your fan.



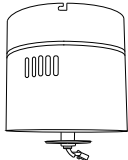

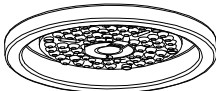
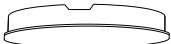
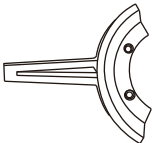

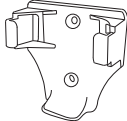
Accessories

● Check to see that you have received the following parts:

<p>3 (A)</p>  <p>Wire nut</p>	<p>4 (B)</p>  <p>J-box screw</p>	<p>4 (C)</p>  <p>Plastic expansion tube</p>	<p>4 (D)</p>  <p>Self-tapping screw</p>
<p>4 (E)</p>  <p>Washer</p>	<p>3 (F)</p>  <p>Balance set</p>	<p>9 (G)</p>  <p>Arm screw (pre-installed)</p>	<p>13 (H)</p>  <p>Blade screw</p>

Package Contents

● Check to see that you have received the following parts

<p>1 (a)</p>  <p>Mounting Bracket</p>	<p>1 (b)</p>  <p>Receiver</p>	<p>1 (c)</p>  <p>Host Part</p>
<p>4 (d)</p>  <p>Fan Blade</p>	<p>1 (e)</p>  <p>Lamp Body</p>	<p>1 (f)</p>  <p>Lamp Cover</p>
<p>4 (g)</p>  <p>Blade Arm</p>	<p>1 (h)</p>  <p>Remote Controller</p>	<p>1 (i)</p>  <p>Remote Controller Bracket</p>

Energy Saving Usage

- Ceiling fan performance and energy savings rely heavily on the proper installation and use of the ceiling fan. Here are a few tips to ensure efficient product performance.

Choosing the Appropriate Mounting Location

Ceiling fans should be installed or mounted in the middle of the room and positioned at least 7 feet above the floor and 18 inches away from the walls. If the ceiling height allows, it is recommended to install the fan 7~9 feet above the floor to achieve optimal airflow.

Turn Off When Not in the Room

If the room is unoccupied, turn off the ceiling fan to save energy.

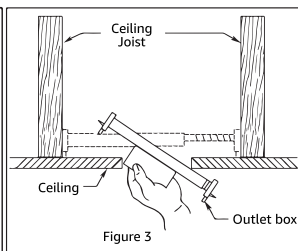
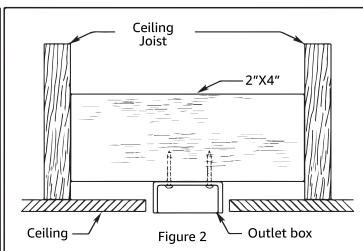
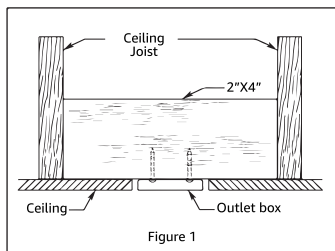
Using the Ceiling Fan Year Round

Summer Season: Use the ceiling fan in the counterclockwise direction. The airflow created by the ceiling fan produces a wind-chill effect, making you feel cooler. Select a fan speed that provides a comfortable breeze; lower speeds consume less energy.

Winter Season: Reverse the motor and operate the ceiling fan at a low speed in the clockwise direction. This produces a gentle updraft, which pushes the warm air near the ceiling down into the occupied space. Remember to adjust your thermostat when using your ceiling fan. This simple step can lead to additional energy and cost savings.

Electrical and Structural Requirements

- Your new ceiling fan will require a grounded electrical supply line of AC 110-130V/60Hz and a 15 Amp circuit. According to electrical codes, it is necessary to use a fan-rated outlet box to support the additional weight and motion associated with a ceiling fan. A fan-rated box will be clearly labeled as such and is typically designed to support ceiling fans weighing up to 70 pounds. Fan-rated outlet boxes are available in various ratings and designs. It is essential to ensure that the rating of your ceiling fan outlet box meets the requirements for the specific ceiling fan you are installing. Please refer to the figures below for different structural configurations that can be used for mounting the outlet box.
- Low-profile use (Figure 1):
A 1/2"-deep pancake box is meant to be screwed to a joist or block. It is used if only one cable is coming into the box. It is also available in a saddle-mount configuration.
- Deep-profile use (Figure 2)
A 2-1/4" deep box can be attached to blocking between joists and is roomy enough to handle more than one cable.
- Brace use (Figure 3)
Paired with a deep box, this hanger is meant to span between two joists and takes the place of wooden blocking.
- If your fan is to replace an existing light fixture, turn power off at the main fuse box and remove the existing light fixture.



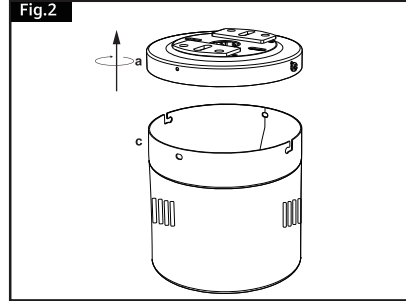
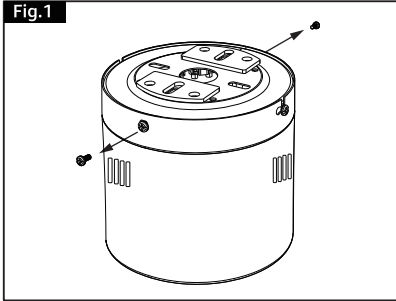
WARNING

To ensure safety and prevent potential electrical shock, it is not sufficient to simply turn off the wall switch. Prior to wiring, make sure to turn off the electricity at the main fuse box. All wiring should be done in accordance with national and local electrical codes. Additionally, it is important to properly ground the ceiling fan as a precautionary measure against possible electrical shock. Following these guidelines will help ensure the safe installation and operation of your ceiling fan.

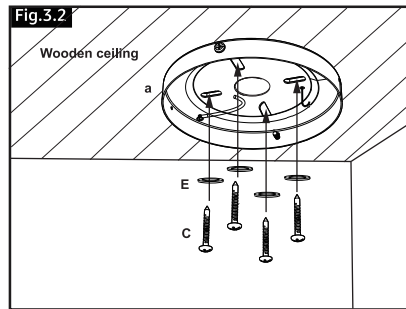
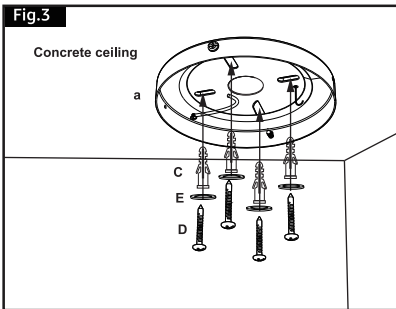
WARNING

Do not use a variable (rheostat) wall controller or dimmer switch to operate this fan. Doing so can cause damage to the ceiling fan's remote control unit. It is recommended to only use the provided remote control.

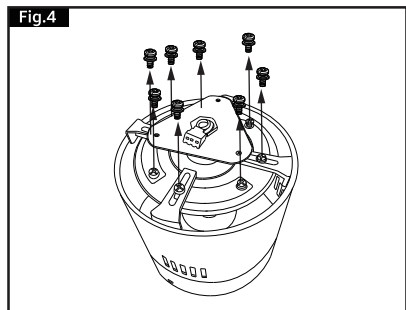
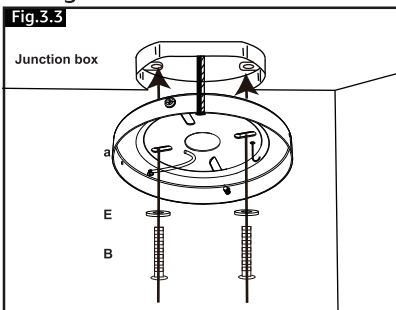
Installation



- Take out the 2 round hole screws from canopy.
- Loosen the 2 screws and then rotate to remove the bracket.

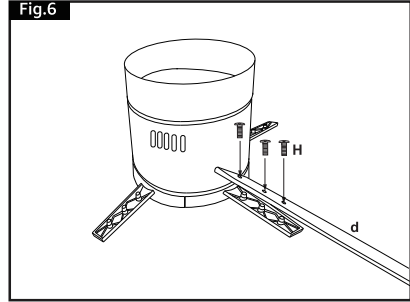
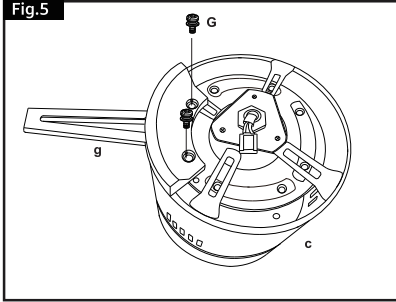


- Mount the bracket to the ceiling and use appropriate accessory screws to secure it based on the type of ceiling material.
- Cement ceiling: Drill holes on the cement ceiling, then use expansion tubes and self-tapping screws for fixing.
Wood ceiling: Use self-tapping screws to drive into the wooden ceiling.

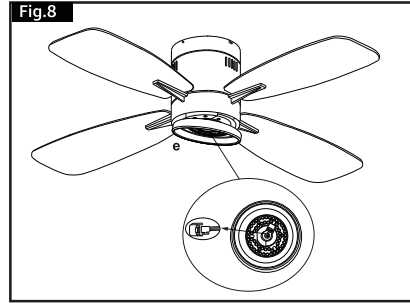
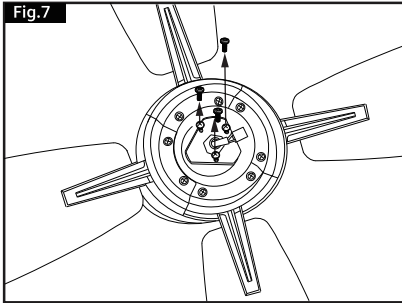


- Junction box: Use j-box screw and washer to fix the bracket to the ceiling. (Please choose the corresponding hole size of 3 inches or 4 inches based on the dimensions of the ceiling junction box for installation.)
- Remove the eight Arm screws from the Host Part.

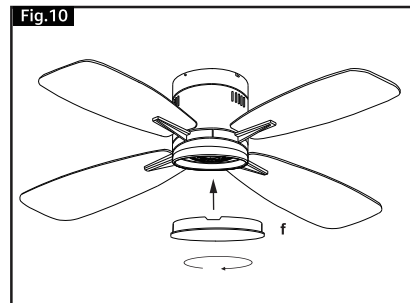
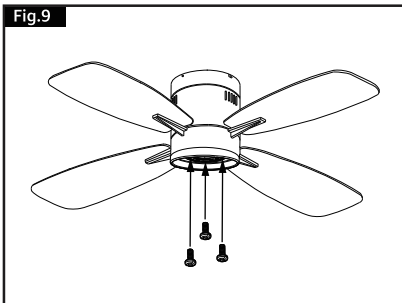
Installation



- Use the screws removed in the previous step (two of them) to attach the blade arms to the main body . (repeat this step for the remaining blades to complete the remaining installation)
- Secure the fan blades to the blade arm using three screws.

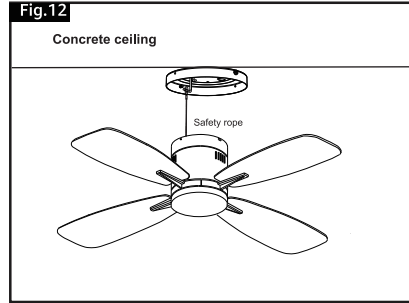
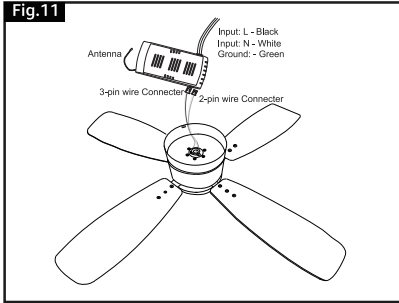


- Take out the screws (pre-installed) from the triangular plate.
- Connect the LED board wire terminal.

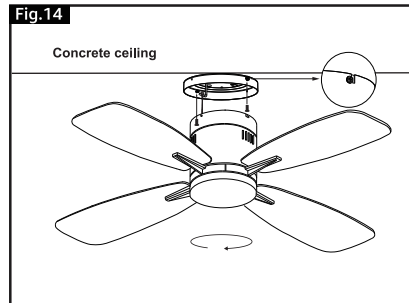
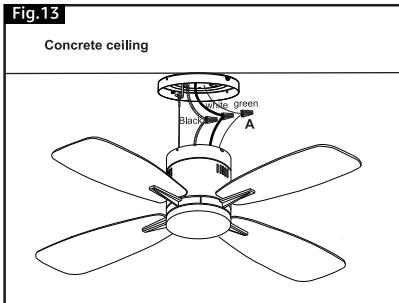


- Install the lamp body onto the host part and tighten the screws. (Use the 3 screws from the previous 2 steps)
- Locate the locking point of lamp body, and screw in the lamp shade.

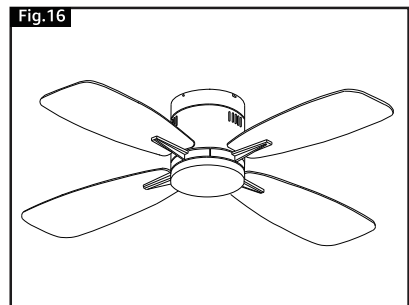
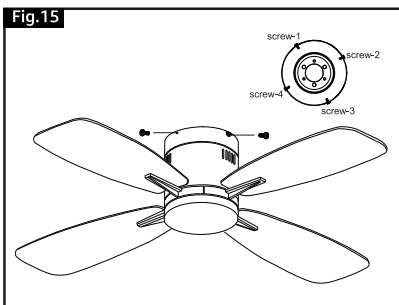
Installation



- Connect the wires between the controller and the fan host: attach both the 3-pin wire connector and the 2-pin wire connector.
- Use the safety rope to hang the ceiling fan to the bracket hook.



- **Wiring:**
Connect the "Neutral wire" (white wire) from ceiling to the white wire.
Connect the "Live wire" (black wire) from ceiling to the black wire.
Connect the "Ground wire" (green or yellow/green or bare) from ceiling to the green wire.
- Align the canopy L slot to the bracket screw, rotate to certain position.



- Lock the other 2 screws and ensure that the 4 screws are tightened.
- Installation is completed.

Customer Service :

30-Days Full Refund Guarantee

If you are not completely satisfied or the item isn't what you expected, just tell us within 30 days. We will give you a full refund unconditionally.

Friendly Reminder

It's better to contact us than leaving a negative shopping experience. Nothing is more important than your satisfaction, and we will do our best to serve you.

Quick Response within 12 Hours

You can contact us without any hesitation at any time of the day, and we will reply to you within 12 hours. (It would be appreciated if you could provide us with a video or pictures, if available)

2-year Warranty

We will send you brand new items for free or give you a full refund if any quality problems occur within 2 years from the date of purchase.