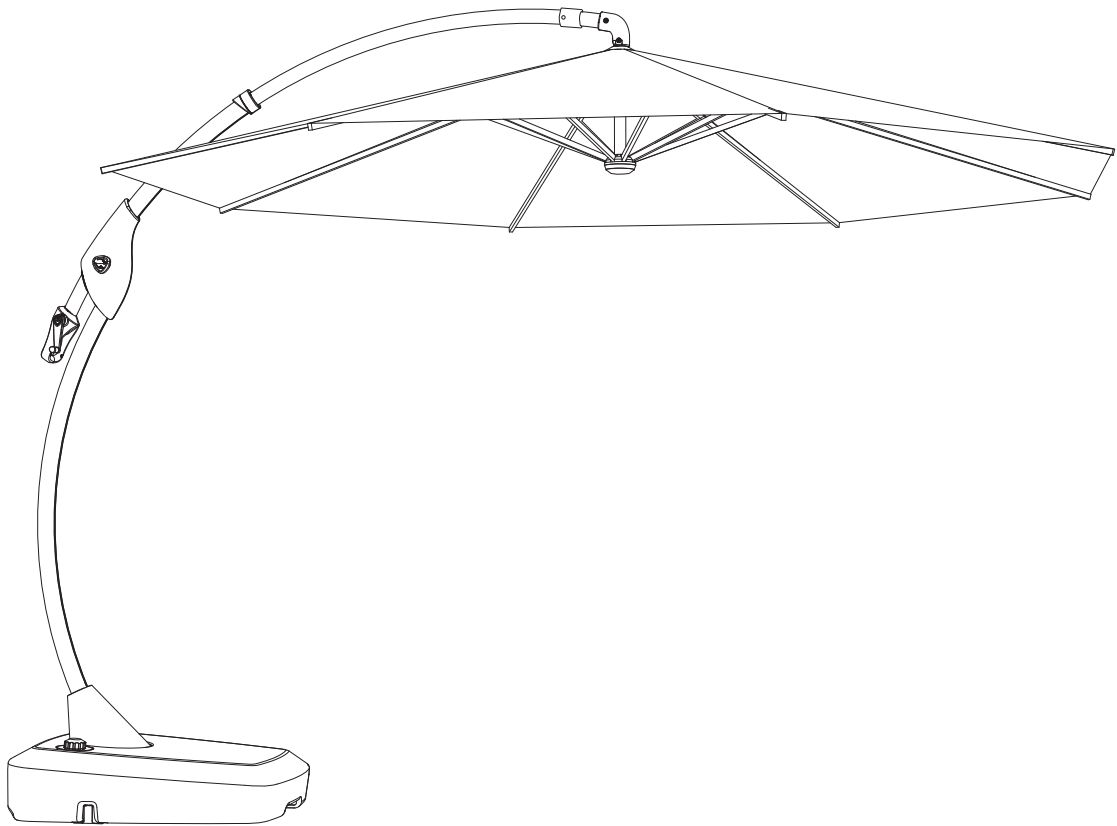


**NAPOLI HANGING UMBRELLA WITH BIG BASE****ASSEMBLY INSTRUCTIONS****READ & SAVE BELOW INSTRUCTIONS**

There are two installation methods for this product. If you are using a thick umbrella stand as shown in the figure, please use this manual.

Before beginning assembly of product, make sure all parts are present. Compare parts with package contents list and hardware contents list. If any part is missing or damaged, do not attempt to assemble the product.

This item is heavy. Use care when handling. May require two adults for safe assembly.

Assemble the items on a stable, non-abrasive surface such as carpeting to avoid damage.

**CARE AND MAINTENANCE**

Use mild soap and warm water. Do not use abrasive materials, cleaners or bleach products. Rinse with clean water and dry thoroughly.

Water allowed to accumulate inside the frames could freeze and damage the frame tubing.

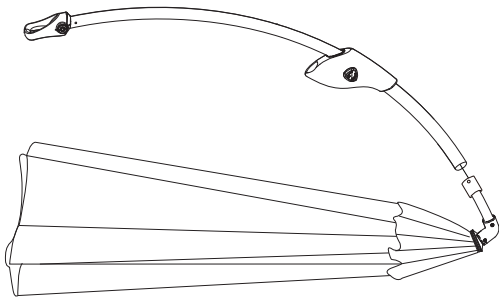
Such damage is not covered under the warranty.

During inclement weather conditions and winter period, please close the umbrella and store it in a dry area. A matching umbrella cover is strongly recommended to extend the usage life-span.

# PACKAGE CONTENTS

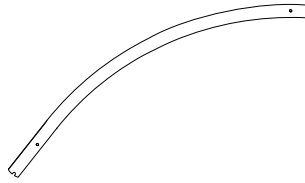
---

A



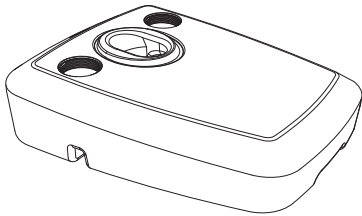
x1

B



x1

C



x1

D



x1

E



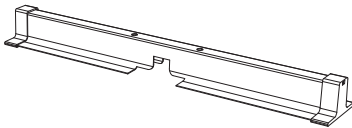
x2



**ATTENTION:**

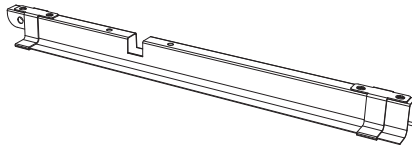
C&D&E in carton 2

F



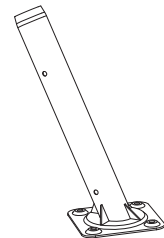
x1

G



x1

H



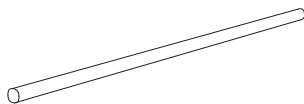
x1

I



x2

J




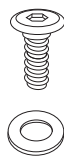

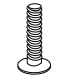
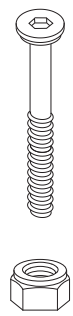


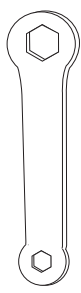


x1

S



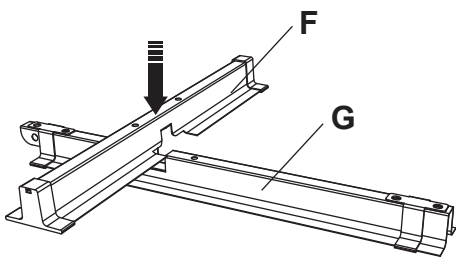
x1

# HARDWARE CONTENTS

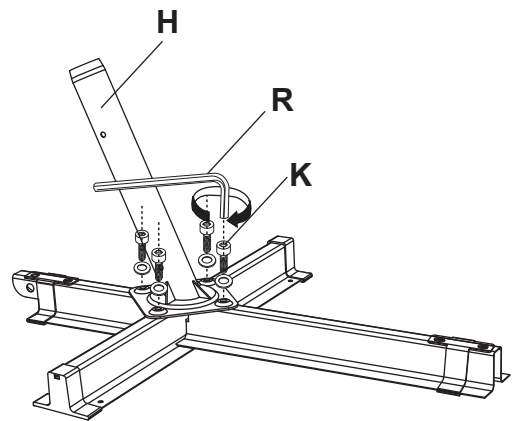
K	L	M	N	O	P	Q	R	T
		 						
x4	x3	x1	x1	x1	x1	x1	x1	x2

# ASSEMBLY INSTRUCTIONS

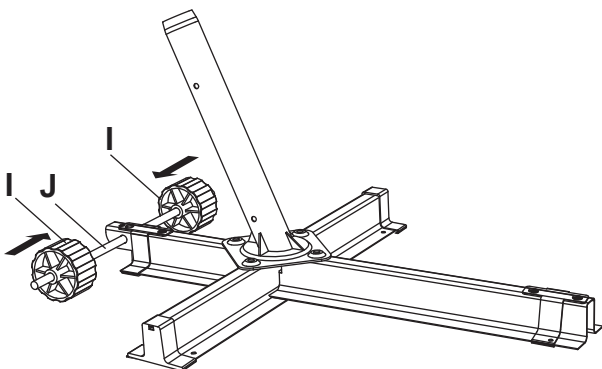
1



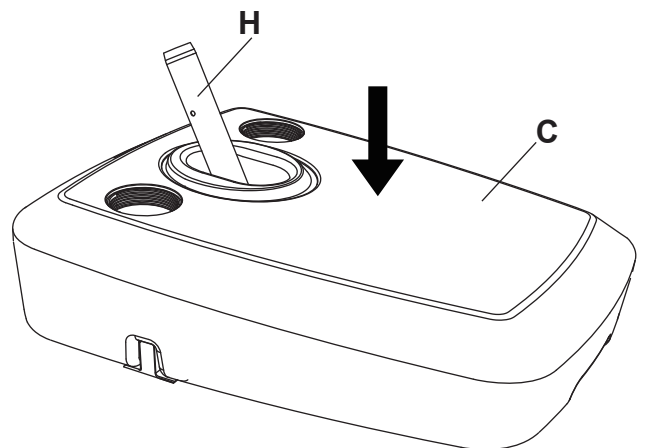
2



3

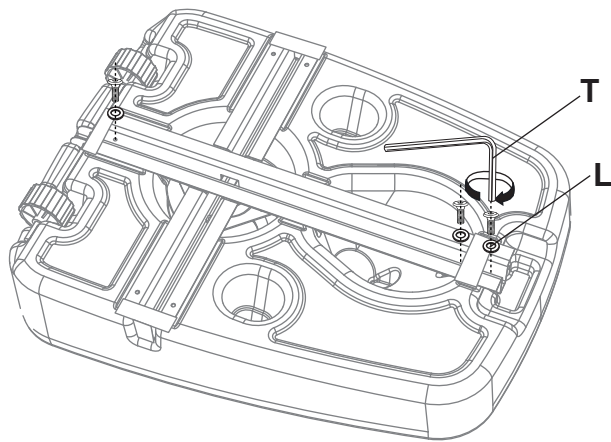


4

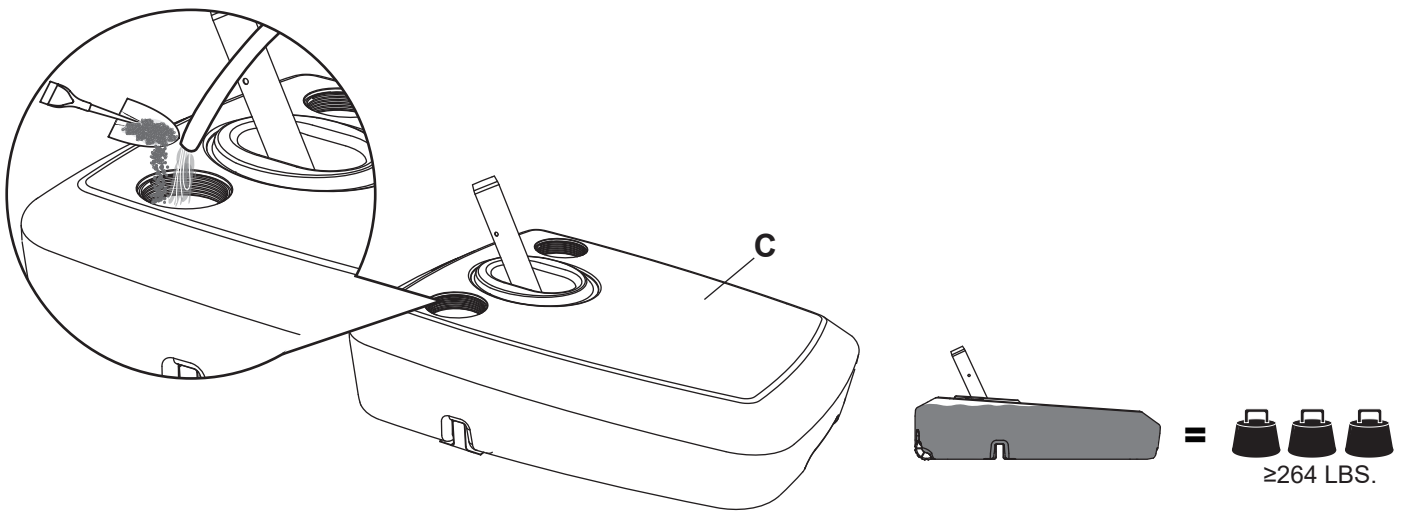


# ASSEMBLY INSTRUCTIONS

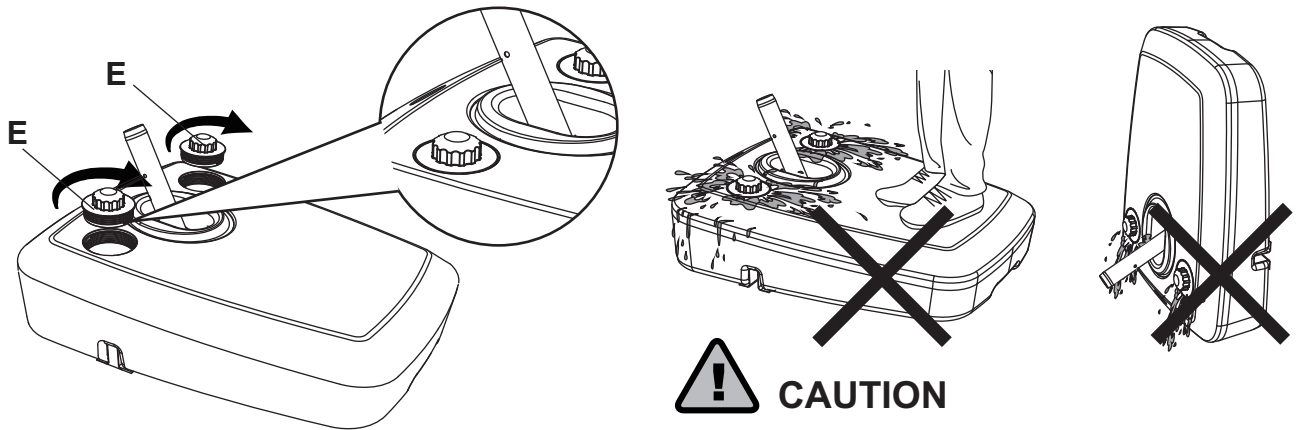
5



6 Insert water and sand until base is full. Base needs to weight more or equal to 264LBS.



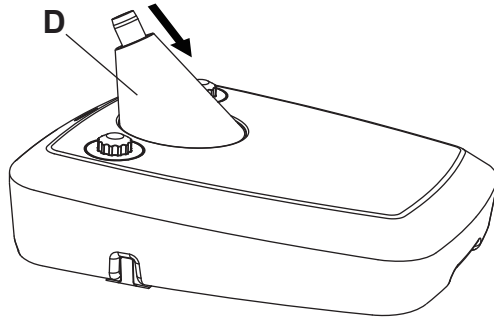
7 Tighten the Plastic Cap (E) on the base.



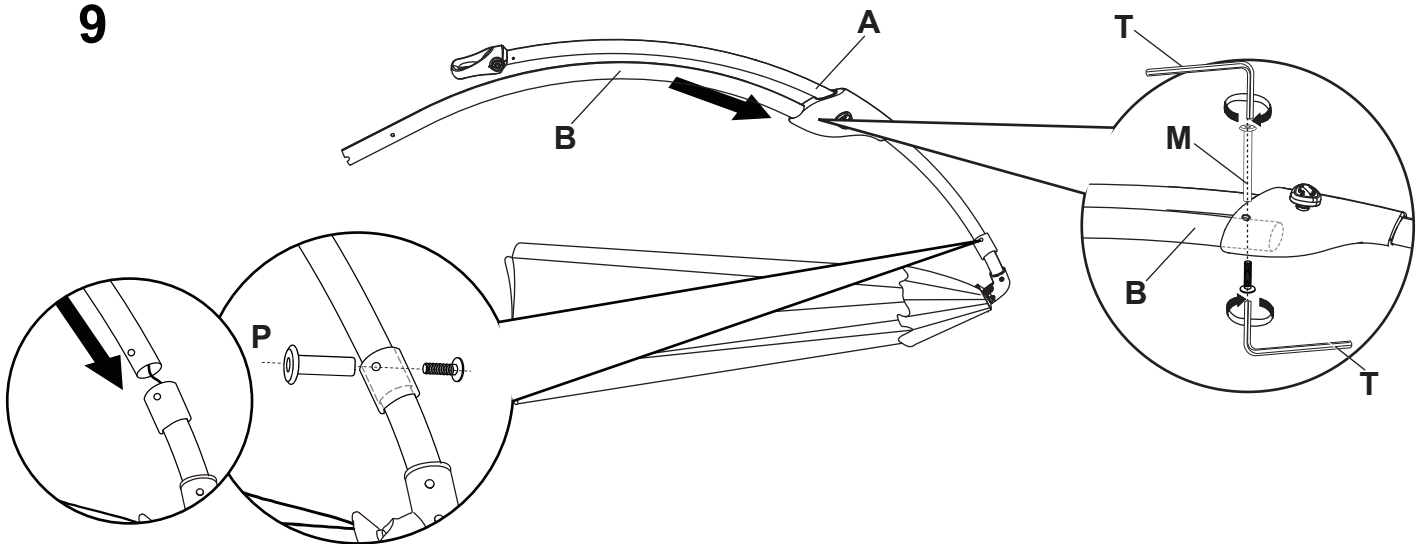
The Cap must be fully tightened.

# ASSEMBLY INSTRUCTIONS

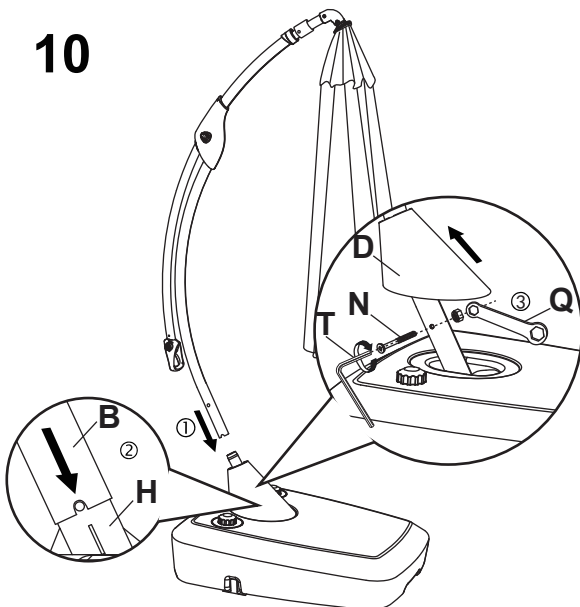
8



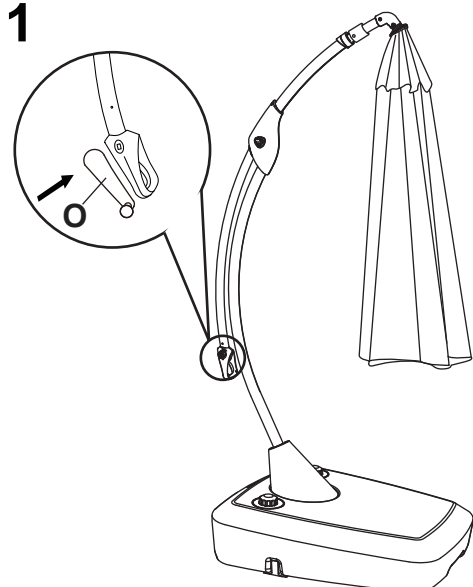
9



10



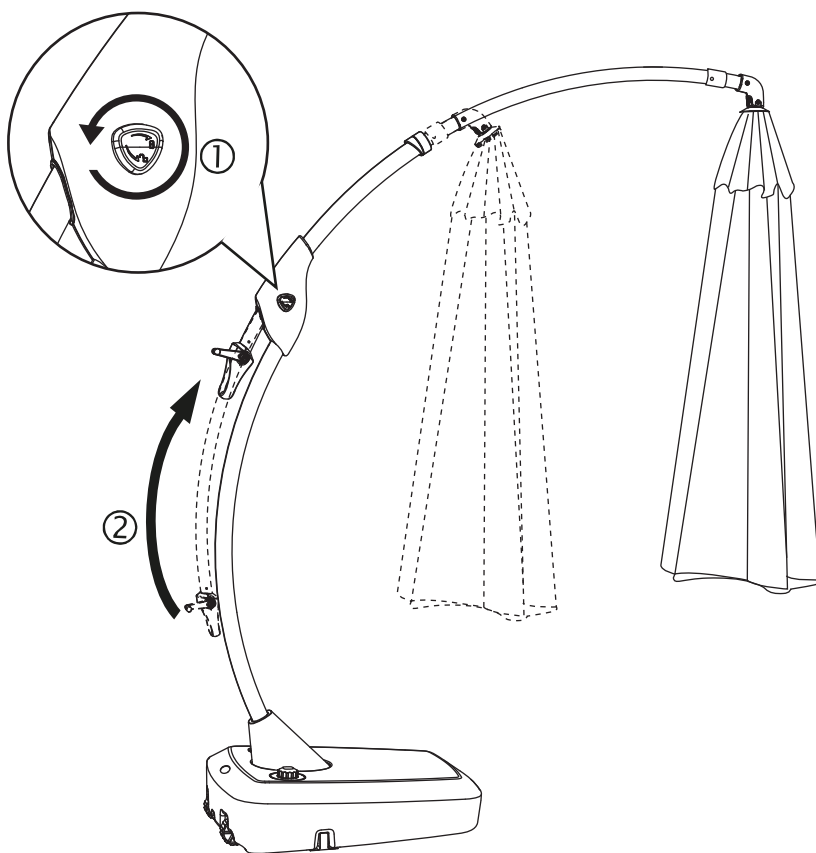
11



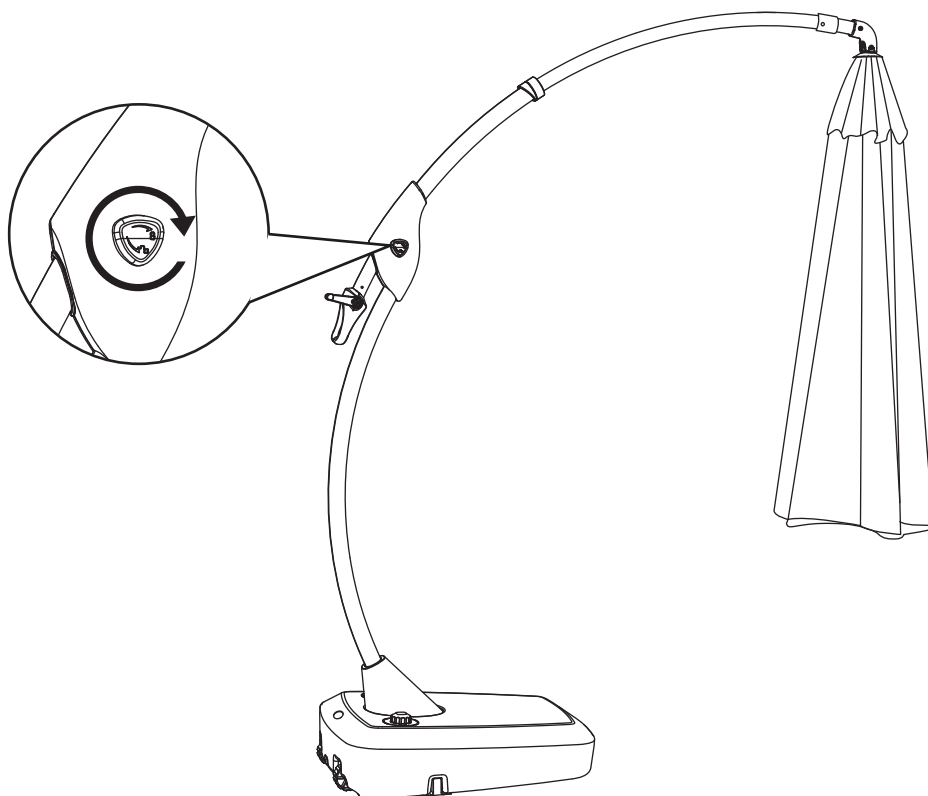
# OPERATION INSTRUCTIONS

---

1



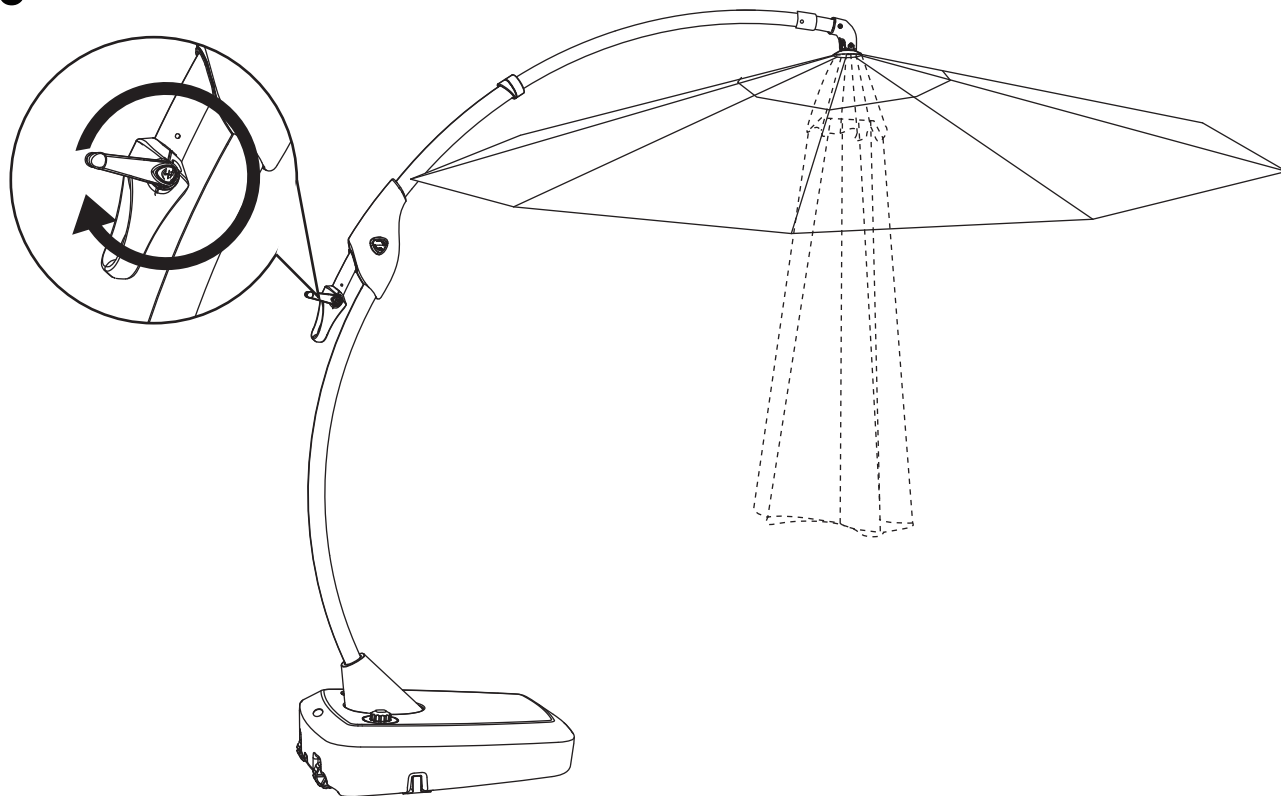
2



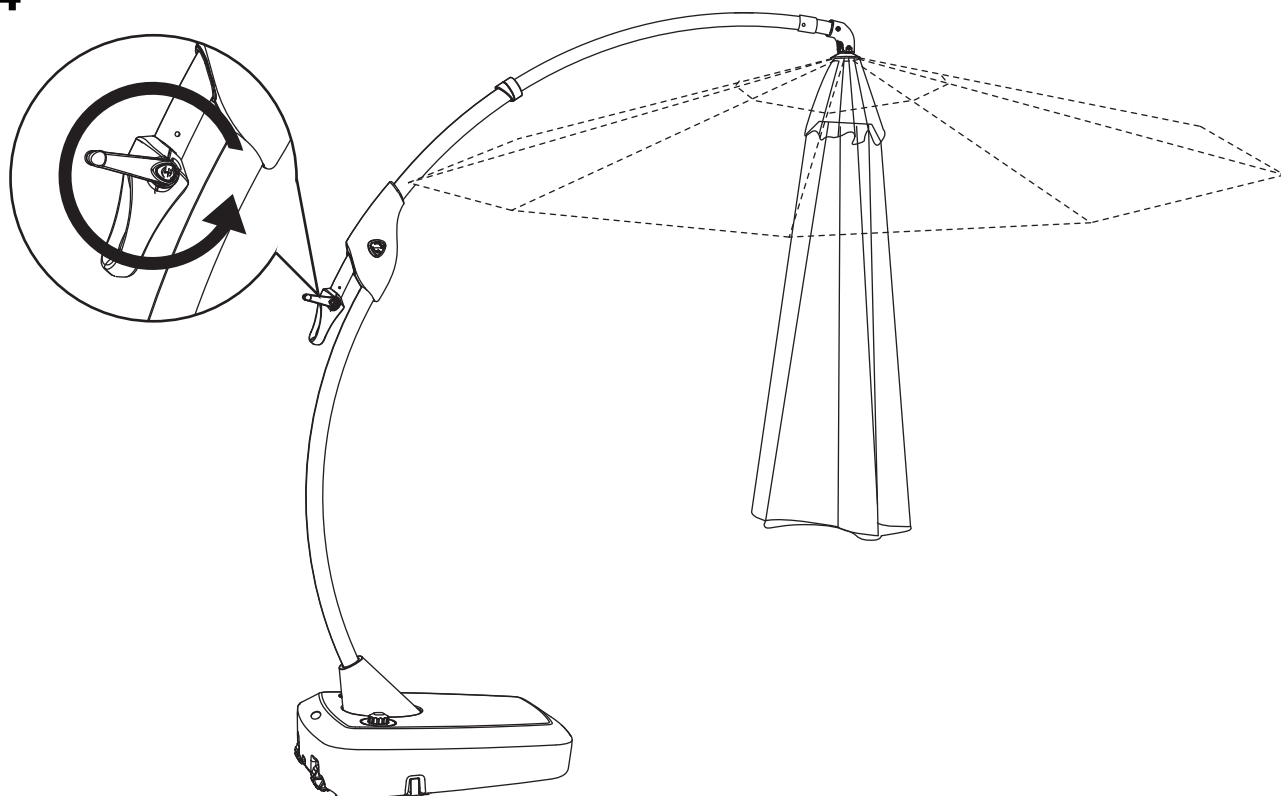
# OPERATION INSTRUCTIONS

---

3



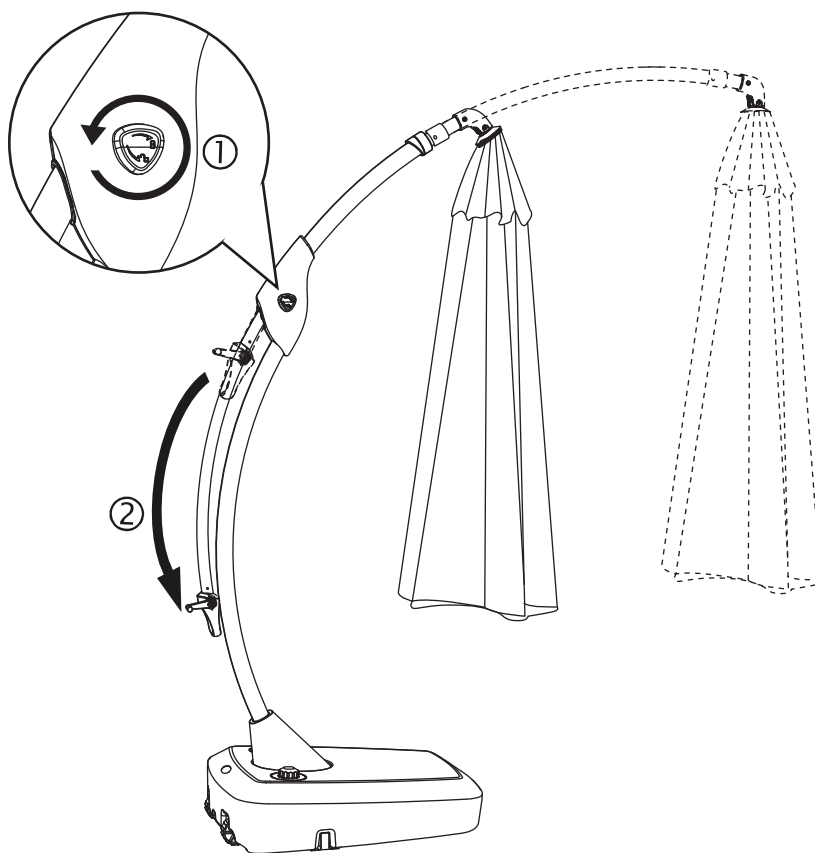
4



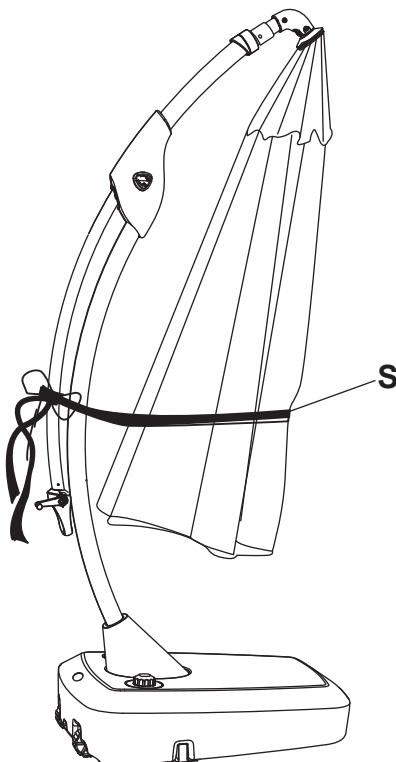
# OPERATION INSTRUCTIONS

---

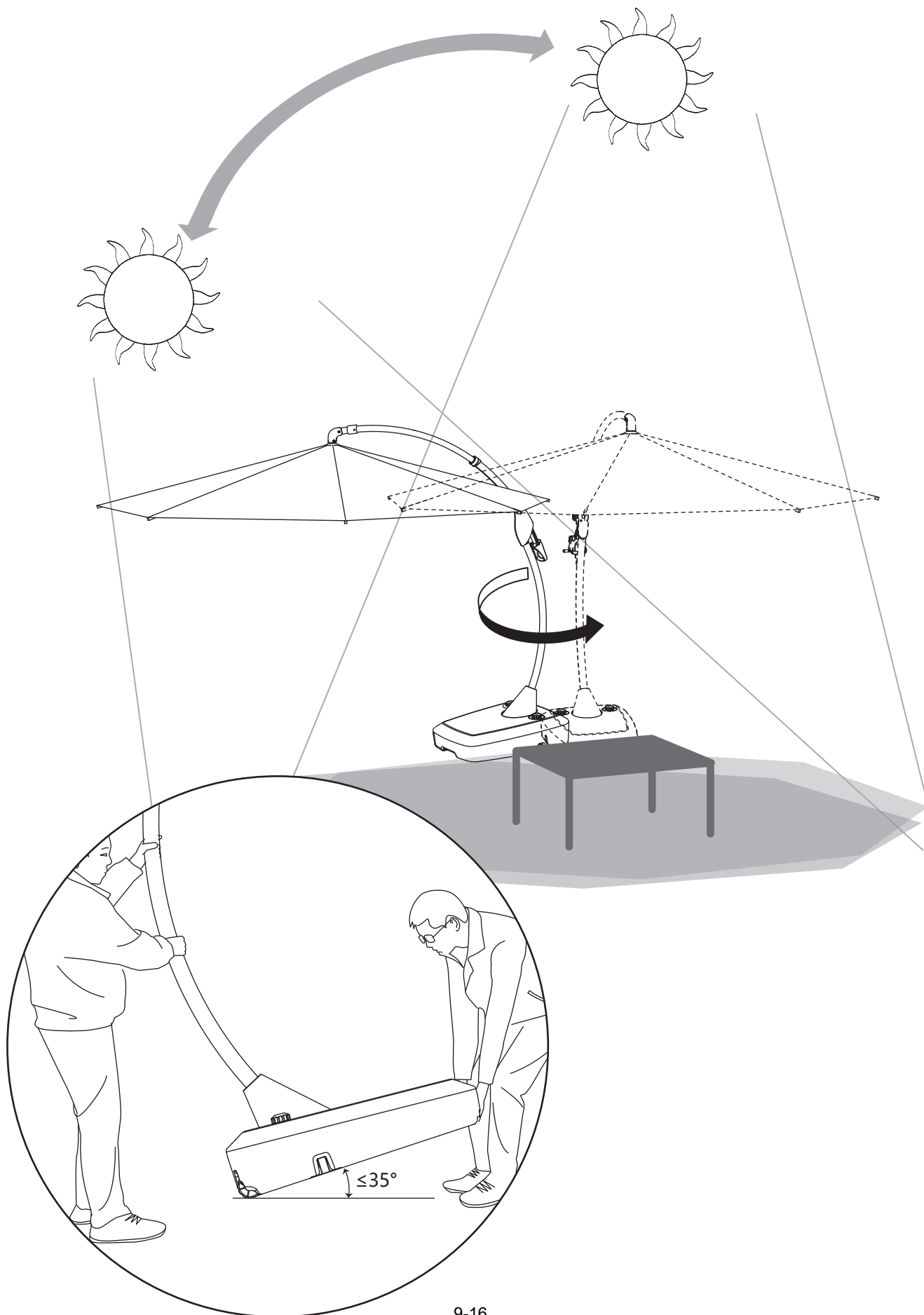
5



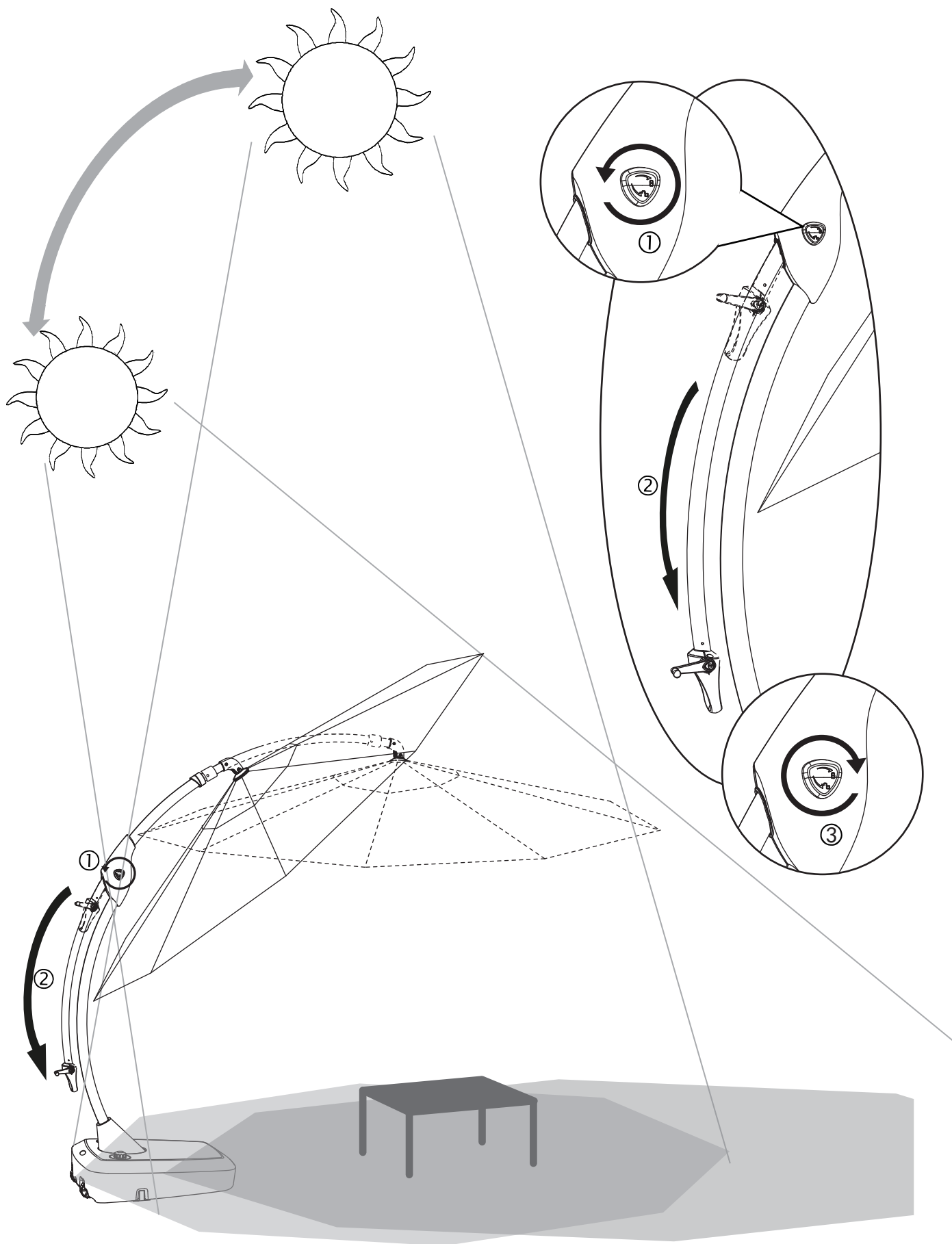
6



# OPERATION INSTRUCTIONS

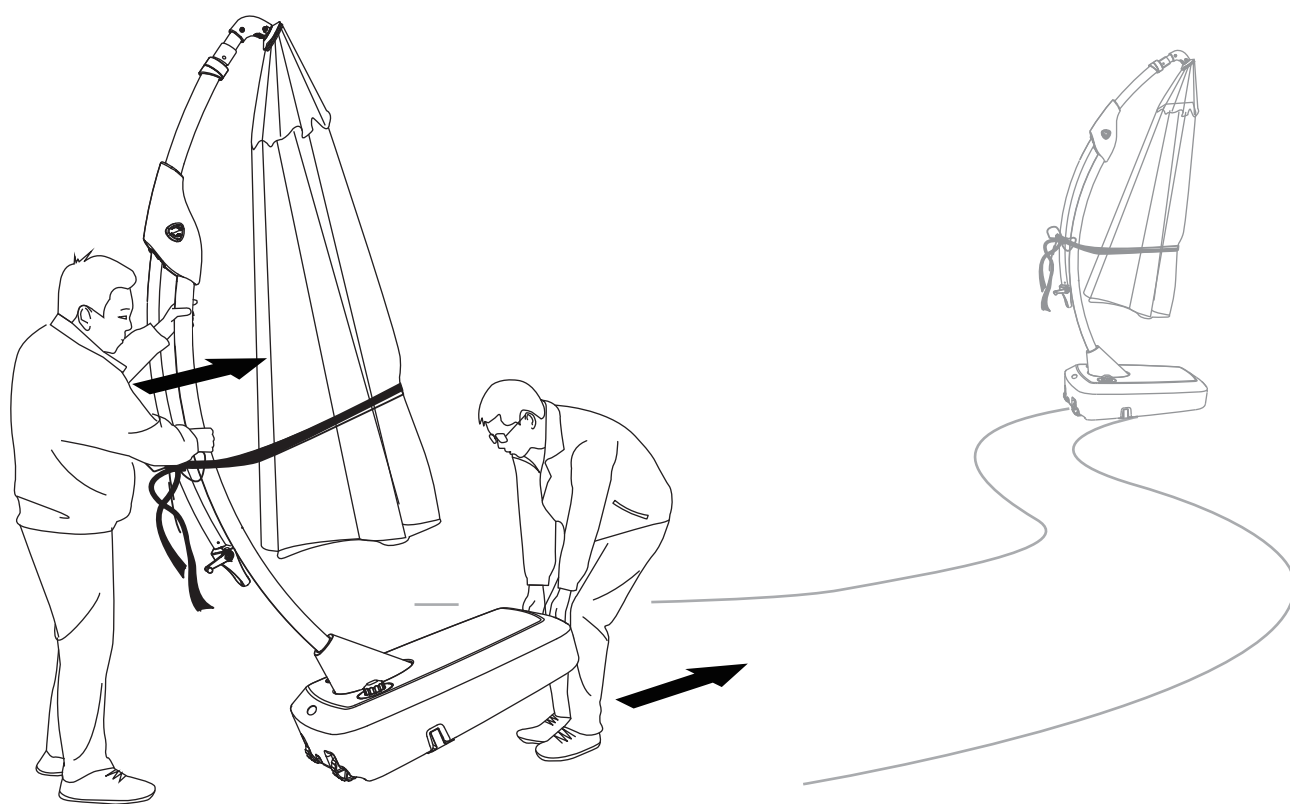


# OPERATION INSTRUCTIONS



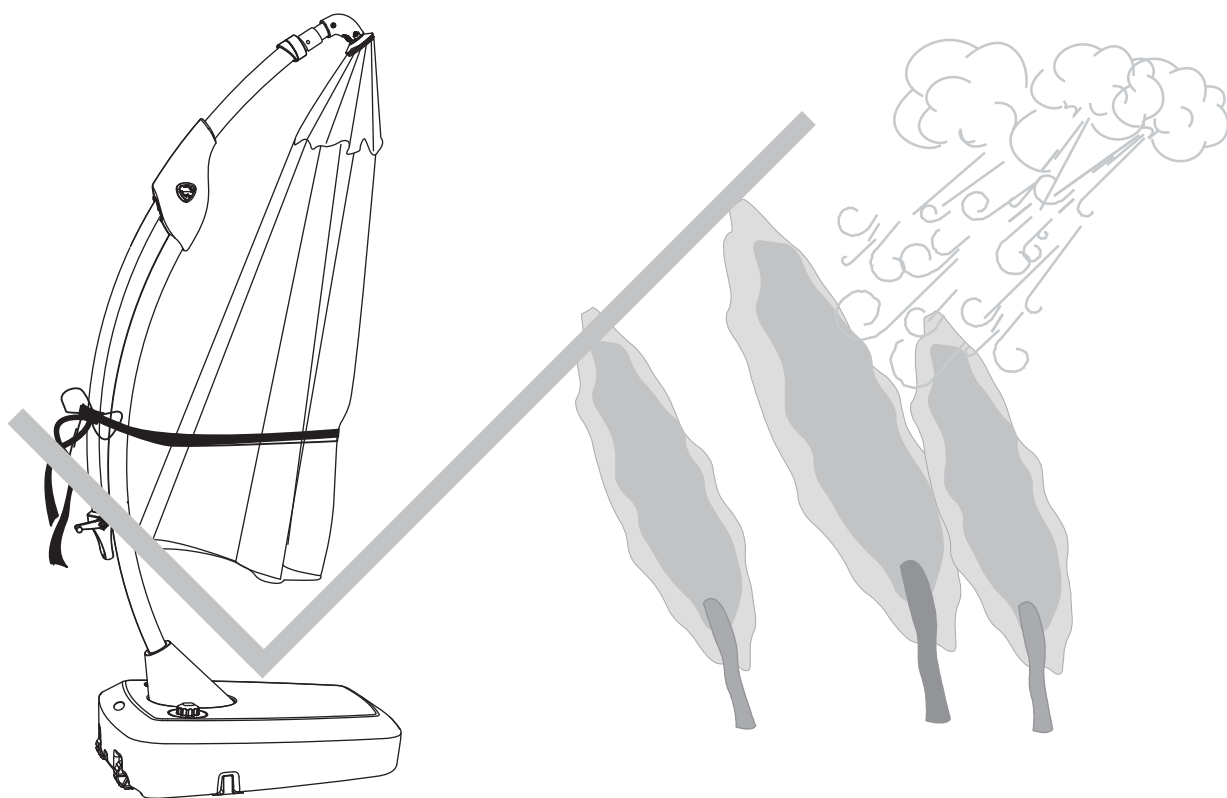
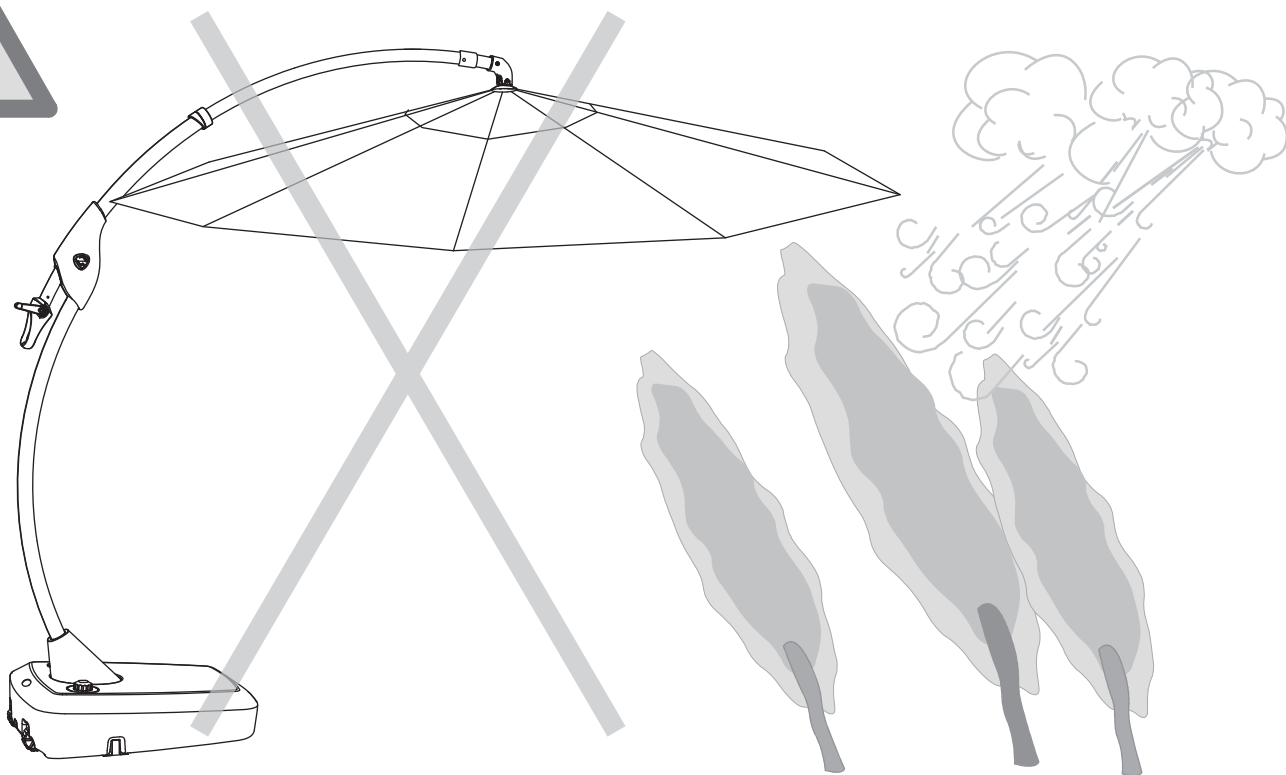
# OPERATION INSTRUCTIONS

---



# CARE INSTRUCTIONS

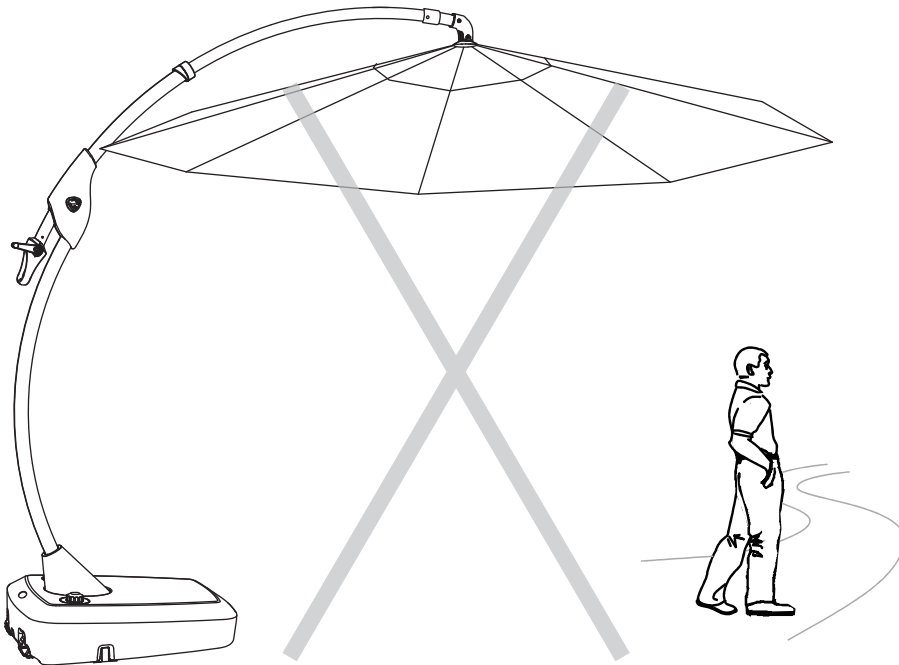
---



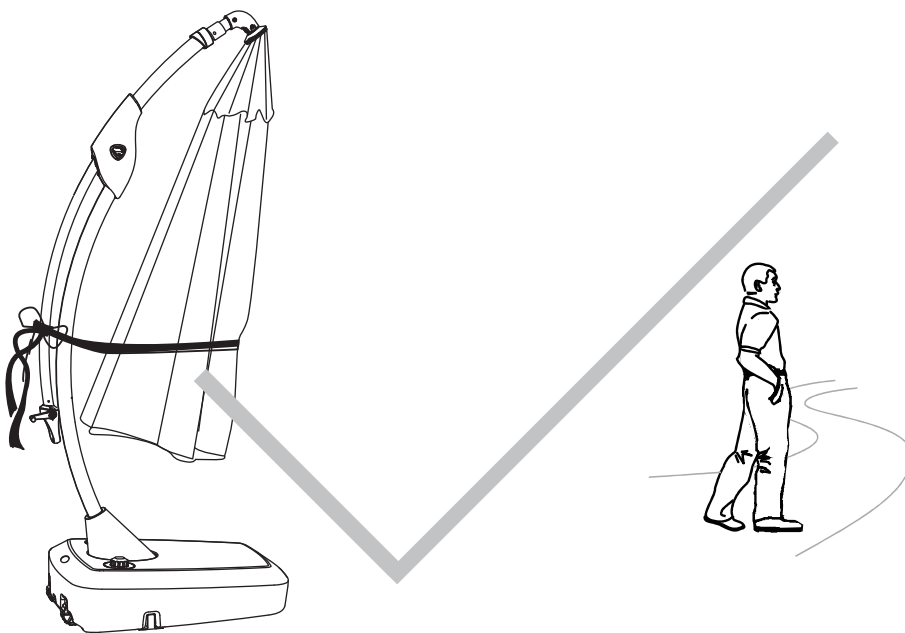
# CARE INSTRUCTIONS



Do not leave unattended



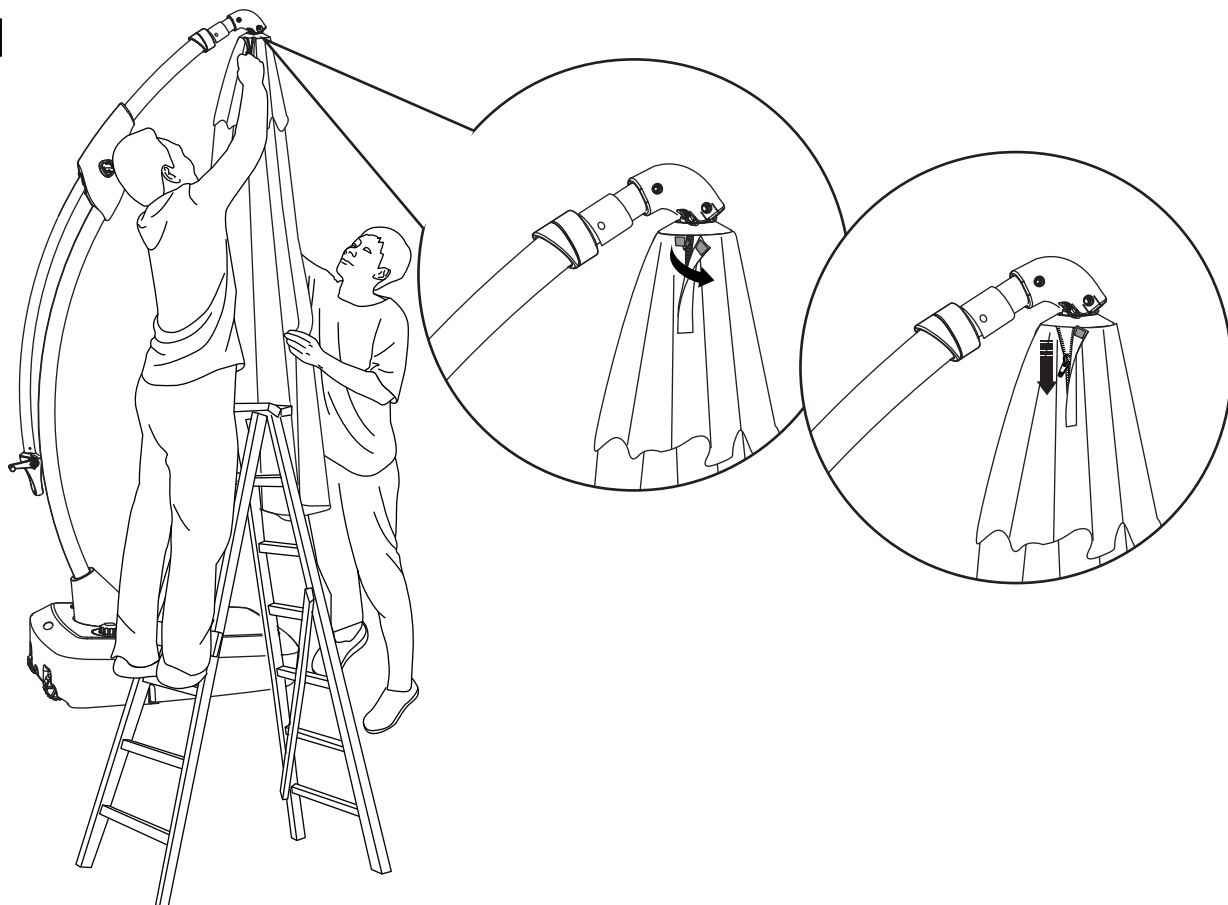
Secure with P strap when not in use



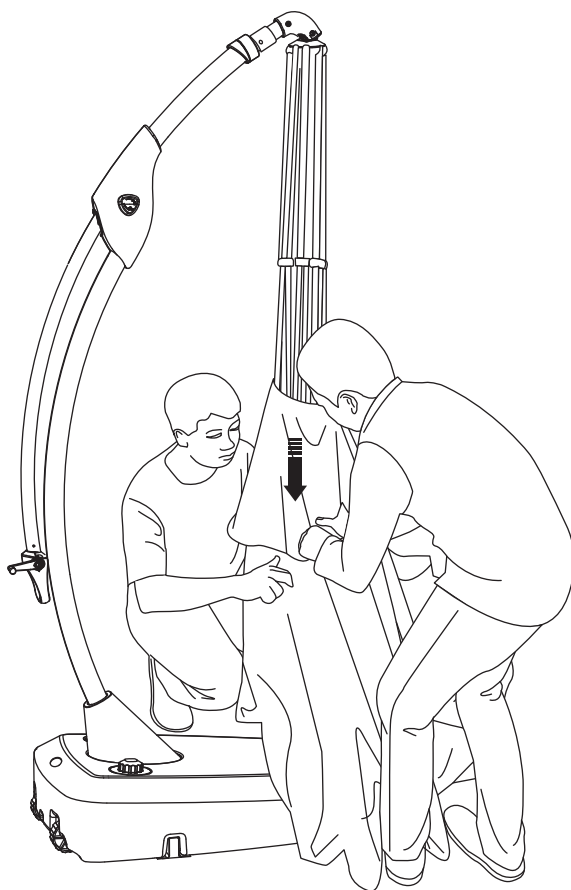
# UMBRELLA CLOTH CAN BE REPLACED

---

1



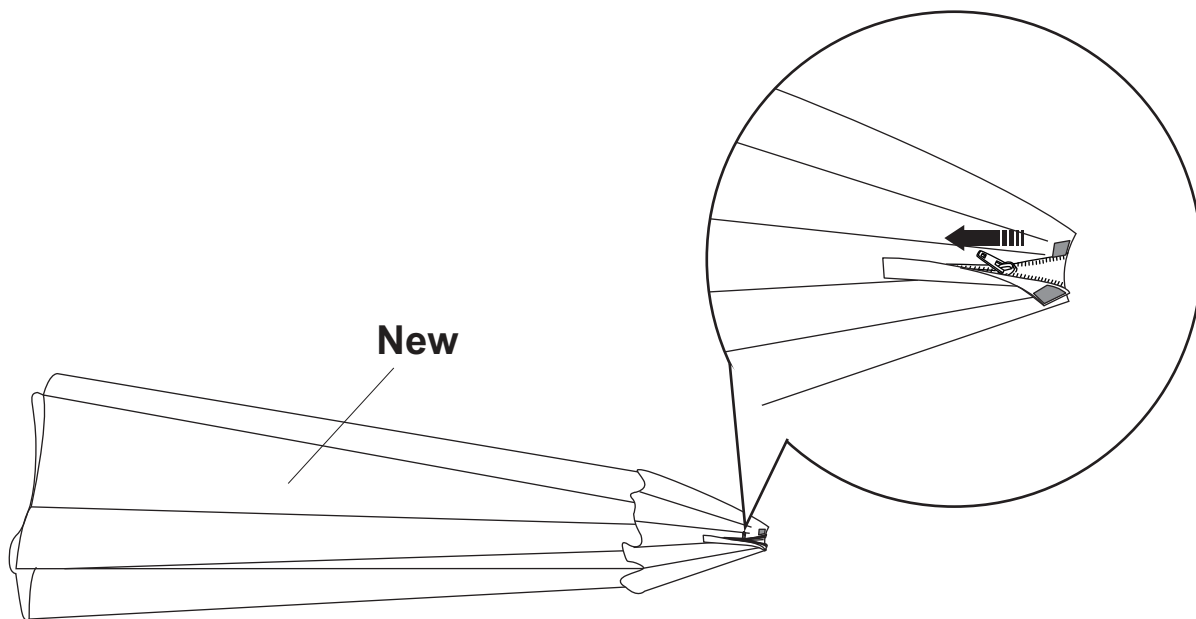
2



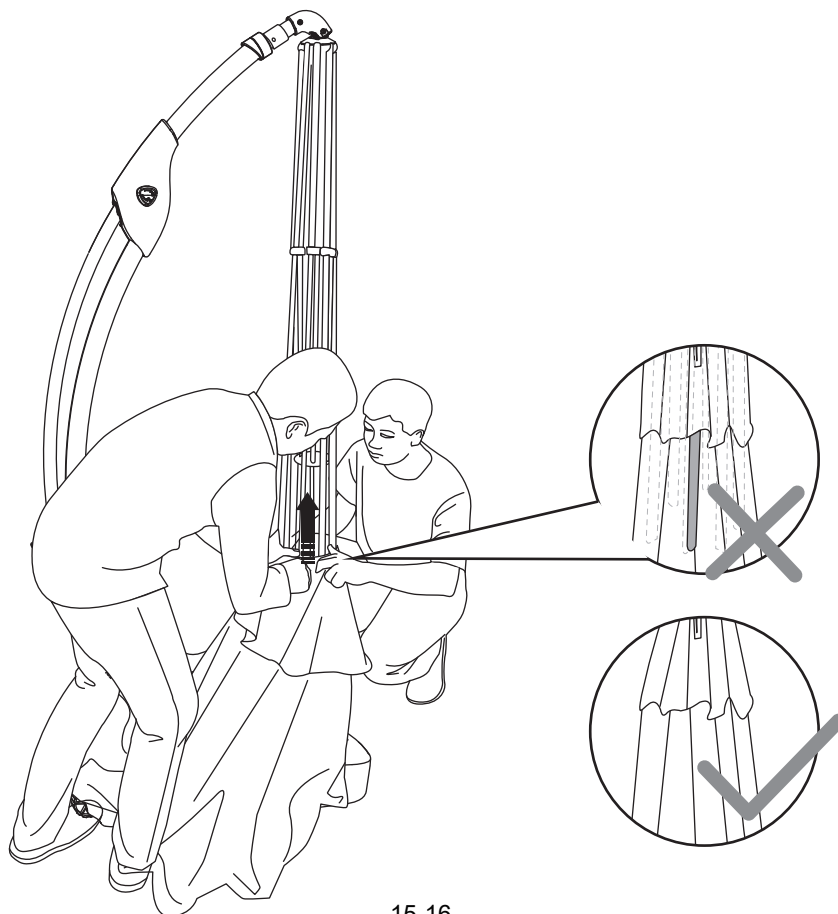
# UMBRELLA CLOTH CAN BE REPLACED

---

3



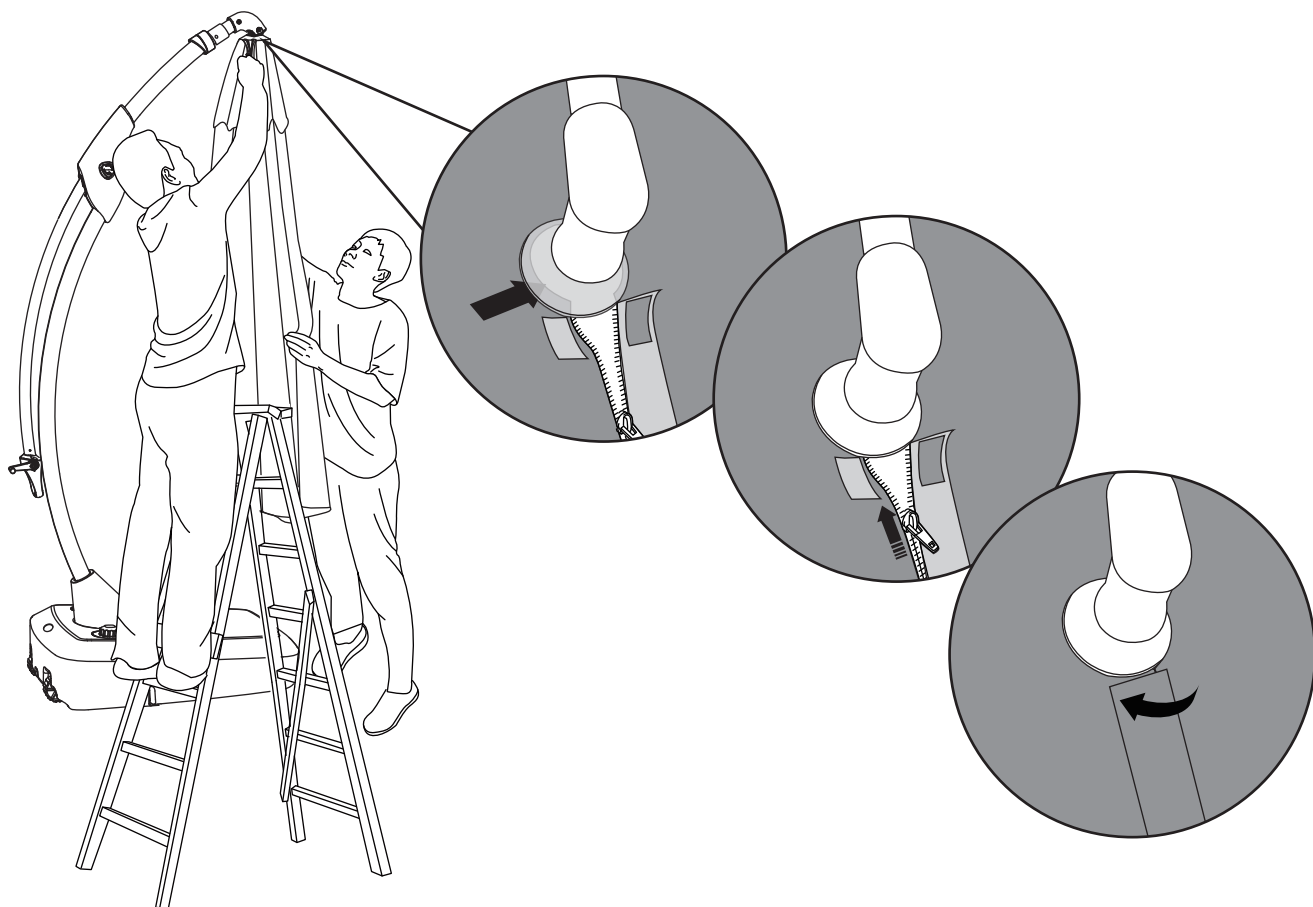
4



# UMBRELLA CLOTH CAN BE REPLACED

---

5



6

