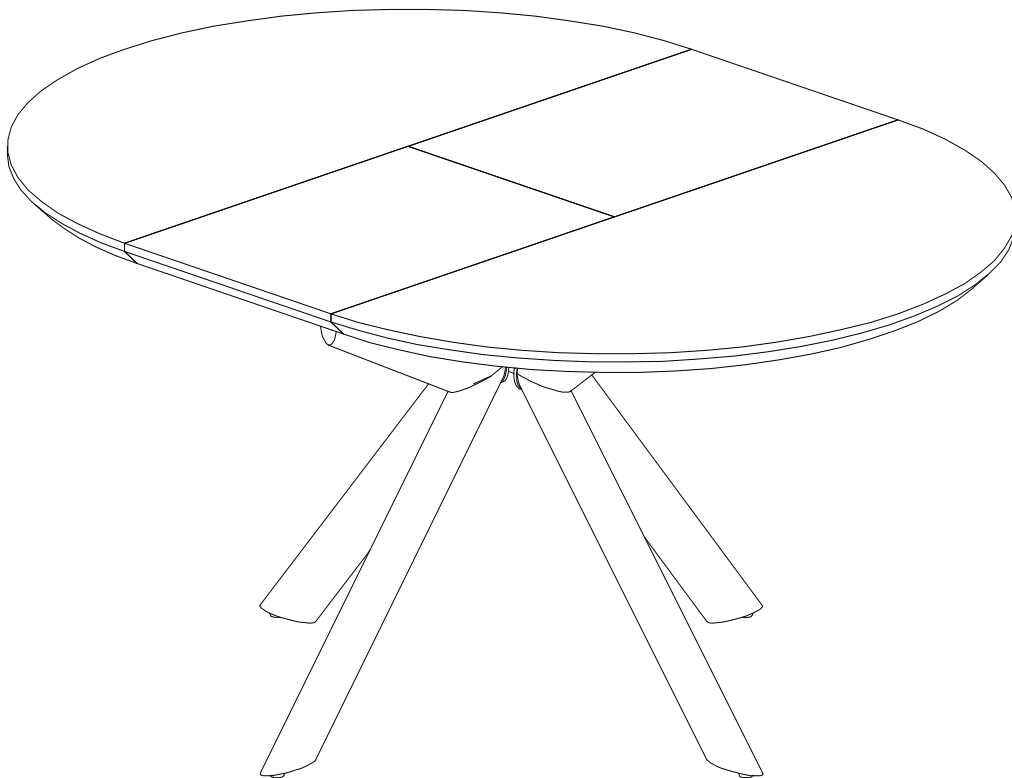
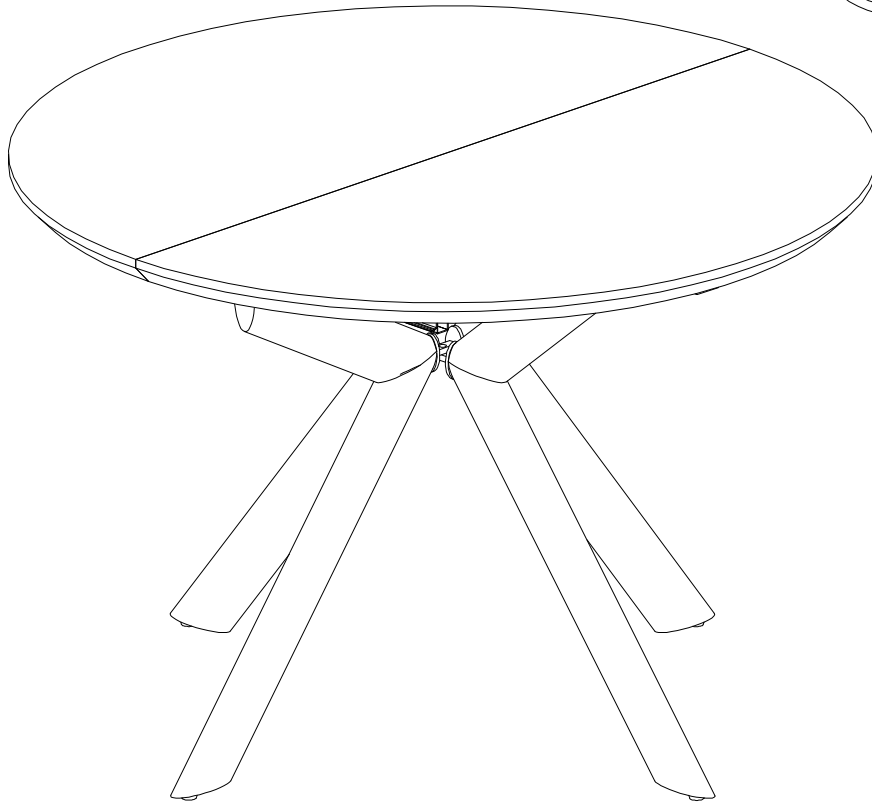
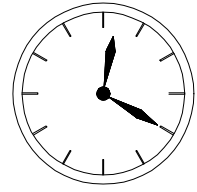
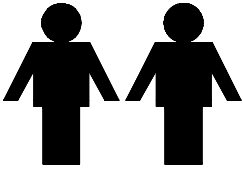
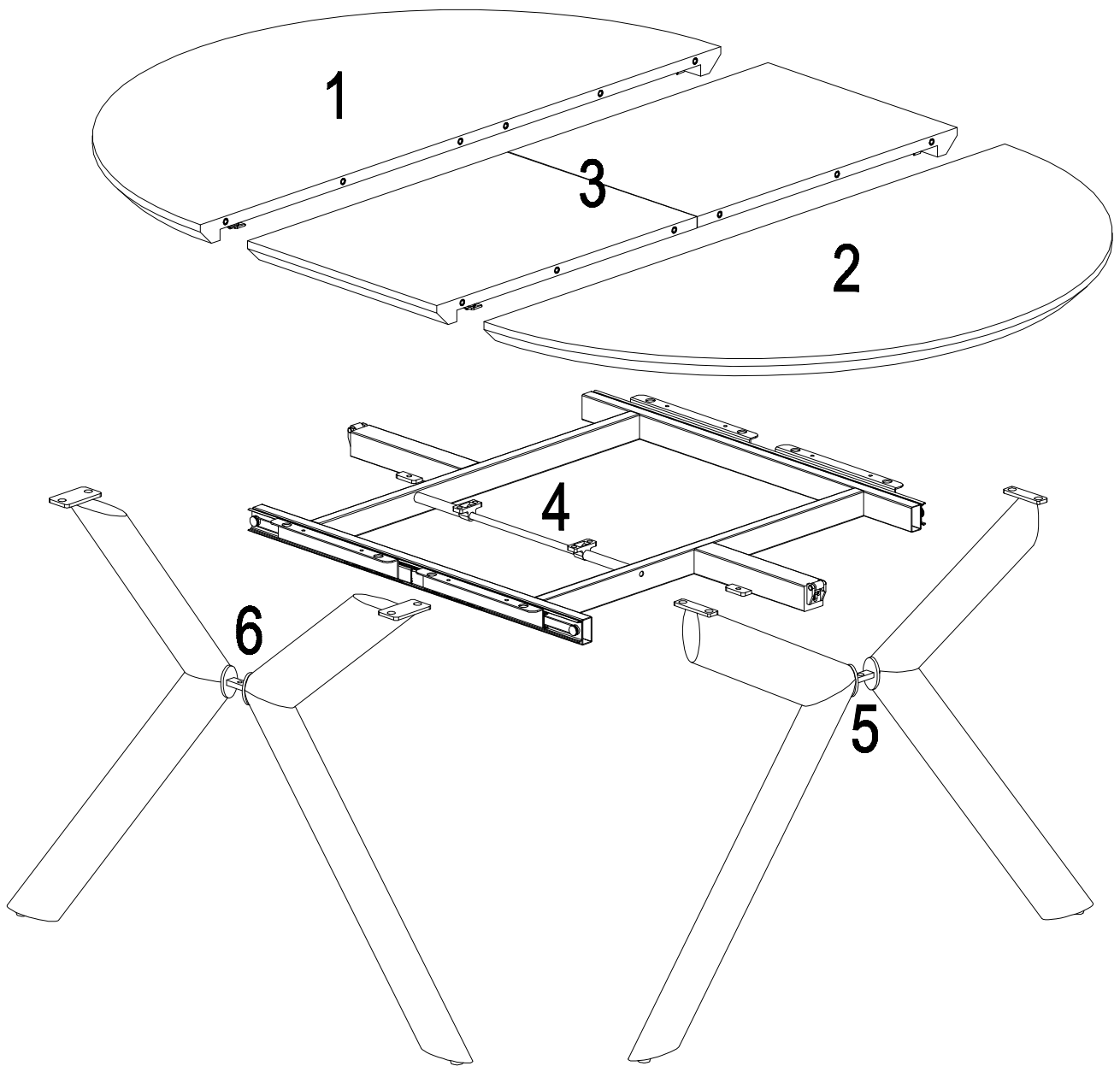
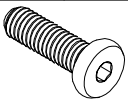
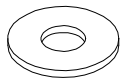



ASSEMBLY INSTRUCTIONS

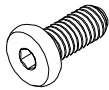


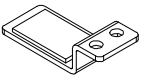


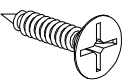
+Spare X 2	
A	x 18
	
M8*18mm	

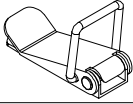
+Spare X 1	
B	x 9
	
Ø20*1.5mm	

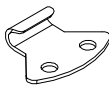
+Spare X 2	
C	x 19
	

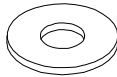
+Spare X 1	
D	x 5
	
M6*15mm	

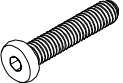
E	x 2
	

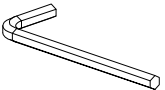
+Spare X 2	
F	x 22
	
4*14mm	

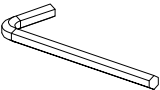
G	x 4
	


H	x 4
	

+Spare X 1	
I	x 10
	
Ø16*1.5mm	

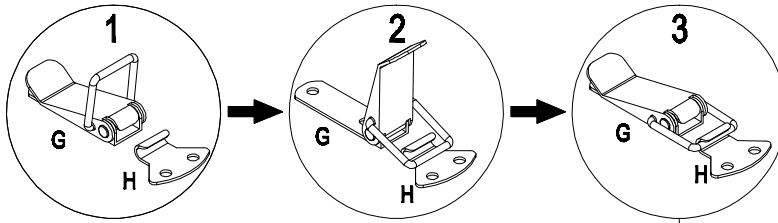
+Spare X 1	
J	x 2
	
M8*25mm	

K	x 1
	
4mm	

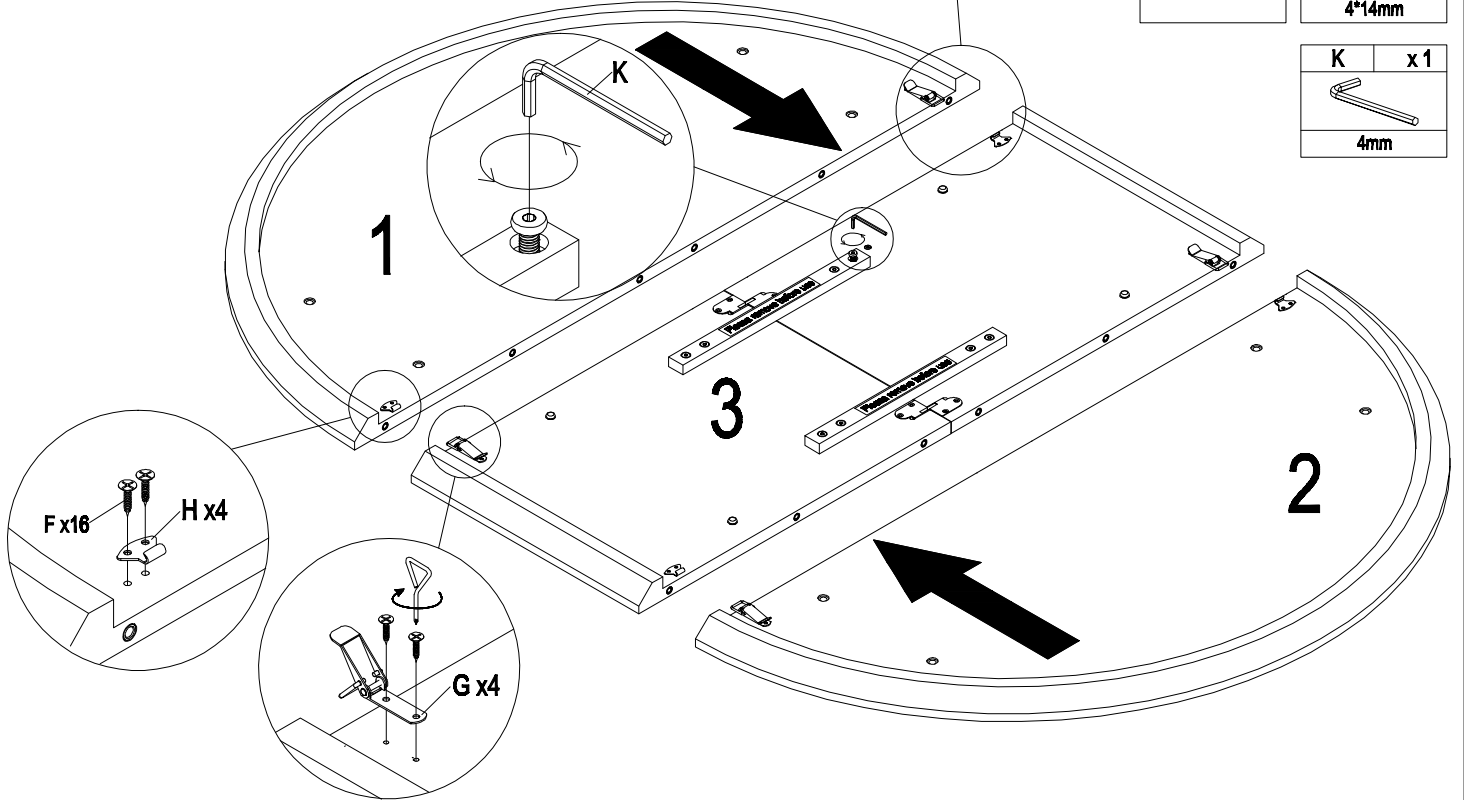
L	x 1
	
5mm	

M	x 1
	

1

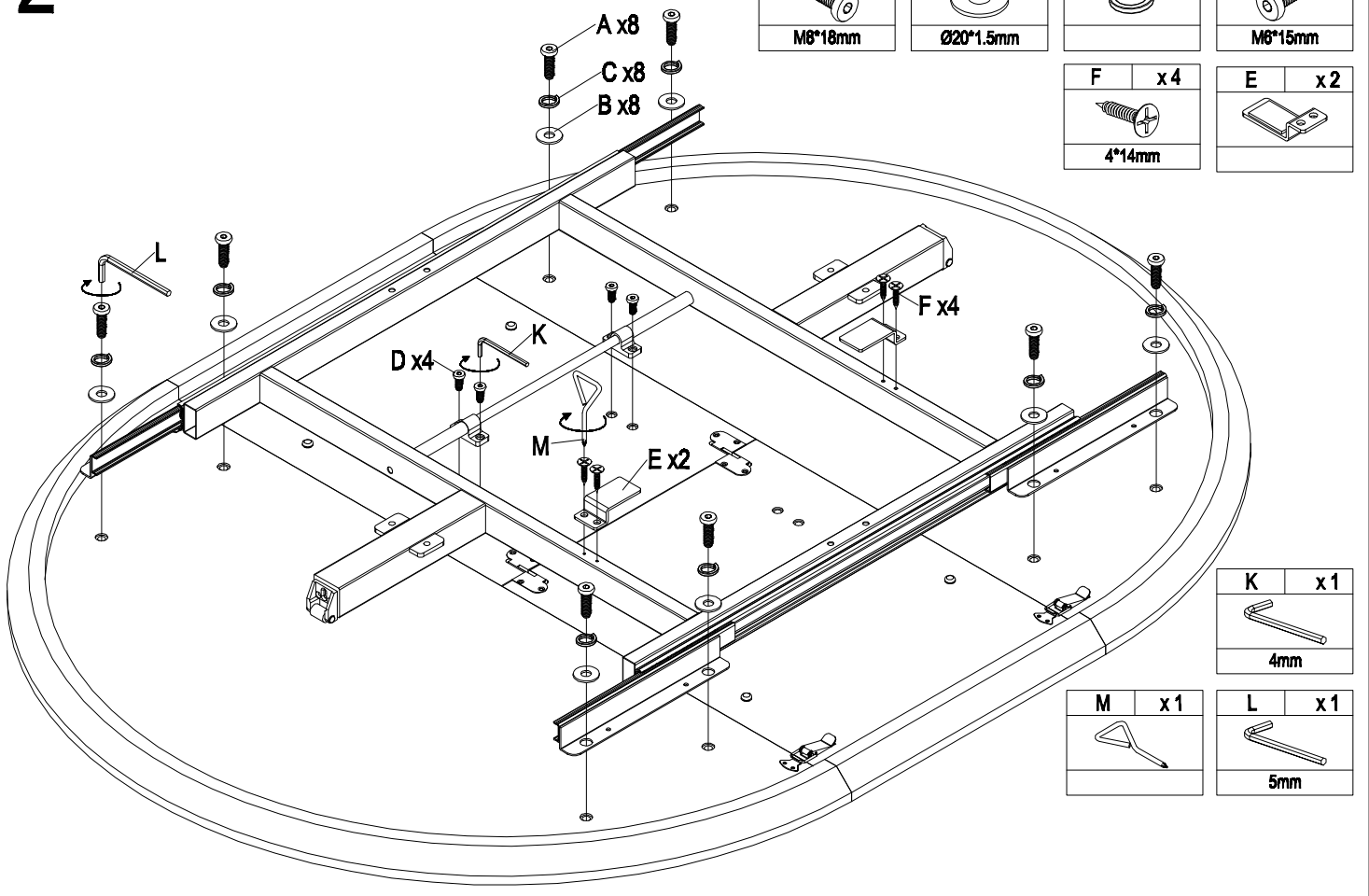


G	x4	H	x4
M	x1	F	x16
			4*14mm
K	x1		
			4mm

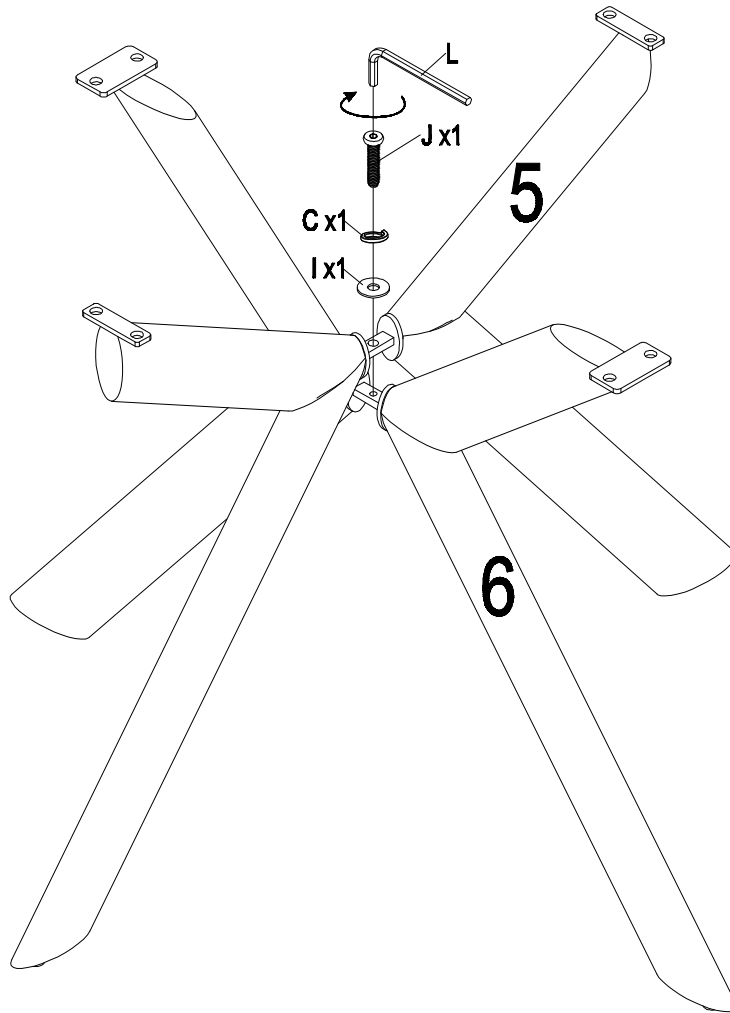






2

A	x8	B	x8	C	x8	D	x4
			Ø20*1.5mm				M8*15mm
				F	x4	E	x2
					4*14mm		

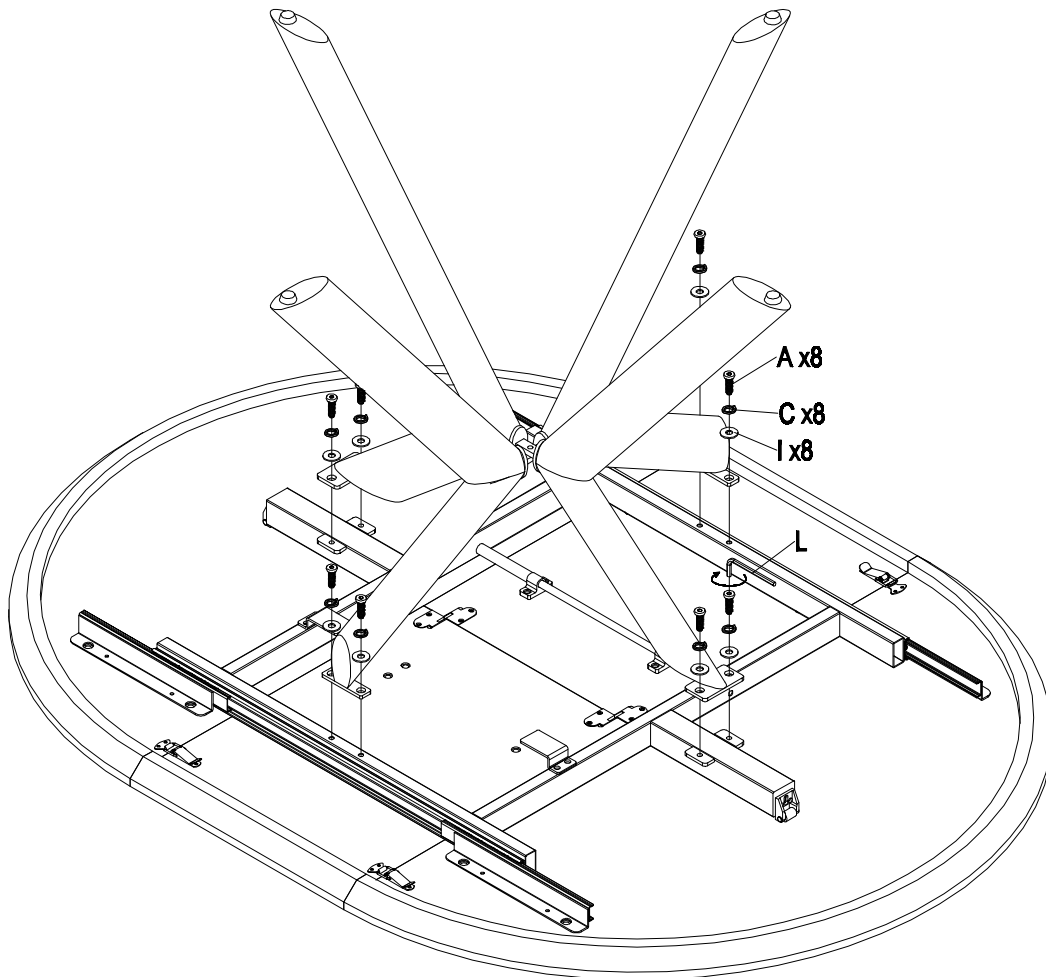


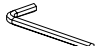


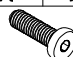
3



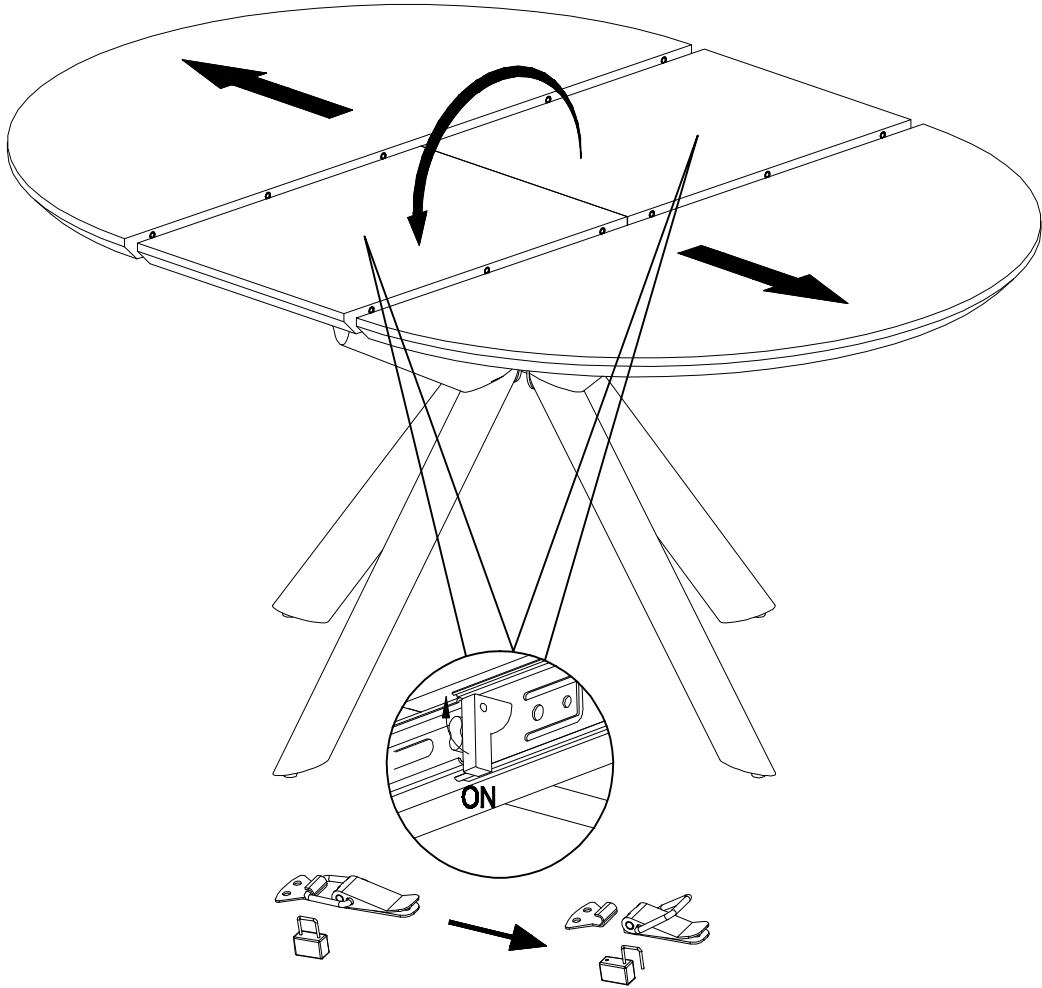
L	x1
	
5mm	
C	x1
	
Ø14mm	
I	x1
	
Ø16*1.5mm	
J	x1
	
M8*25mm	

4

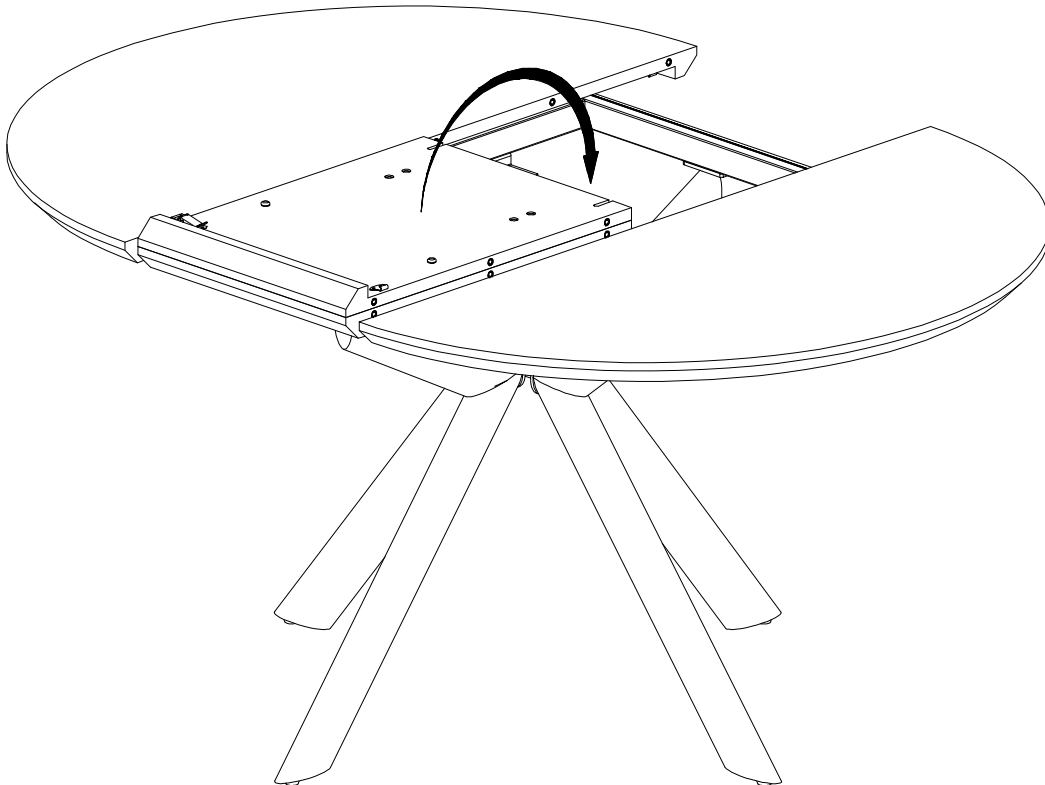


L	x1
	
5mm	
C	x8
	
I	x8
	
Ø16*1.5mm	
A	x8
	
M8*18mm	

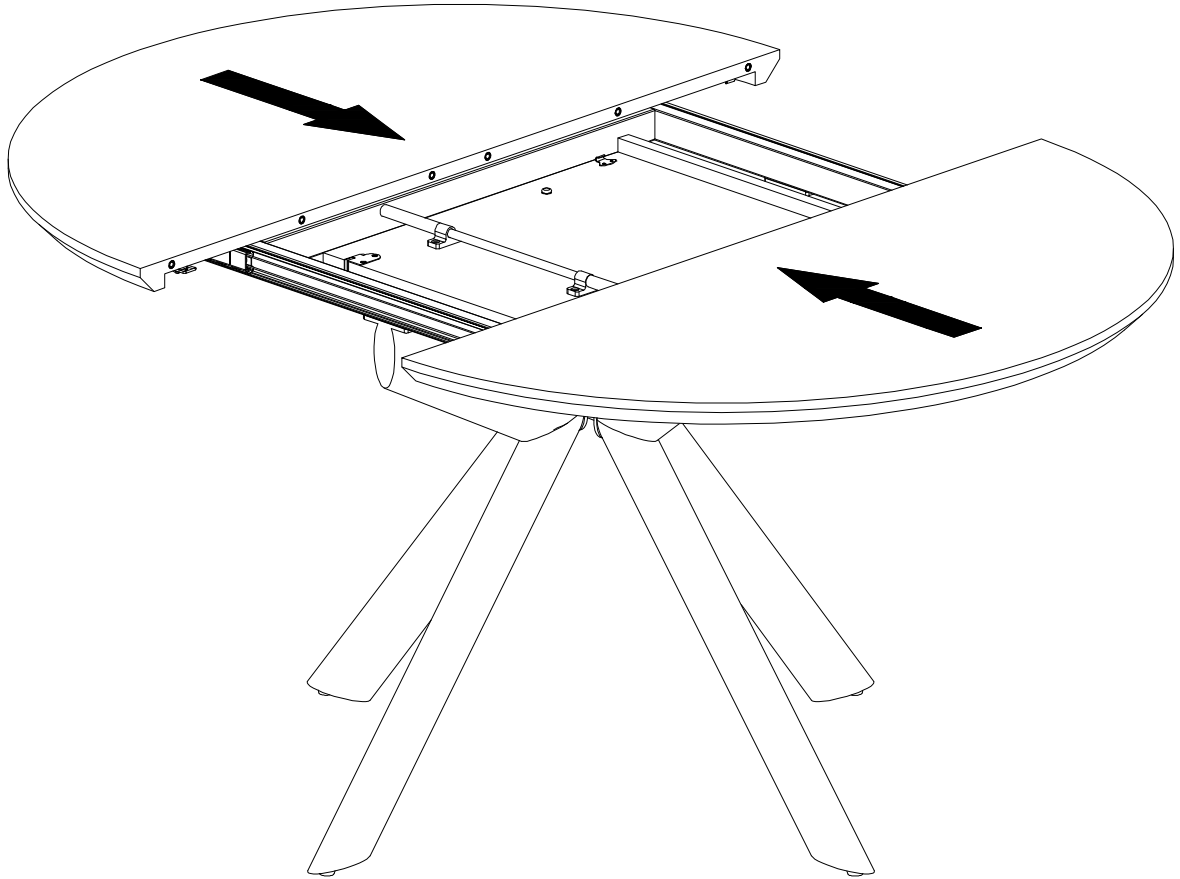
5



6



7



8

