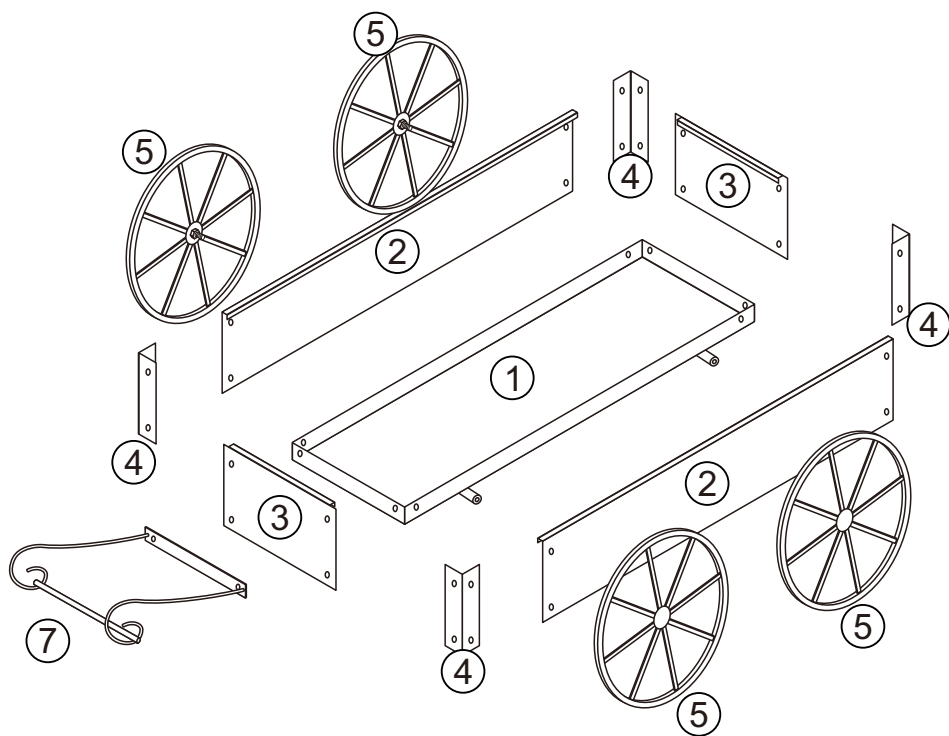
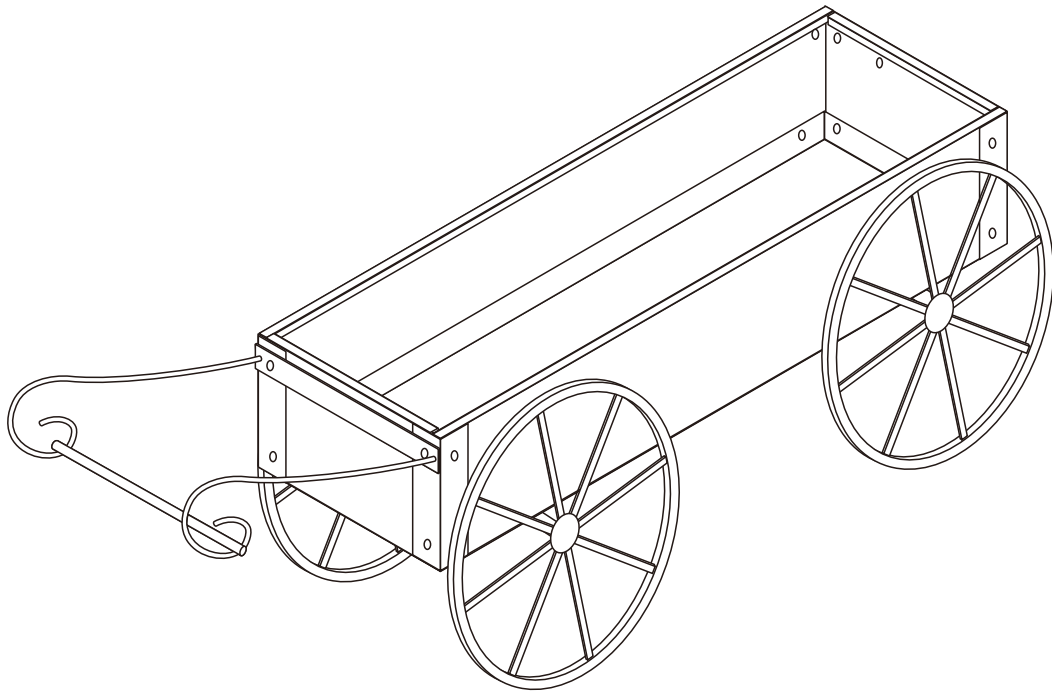
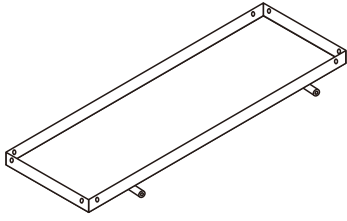
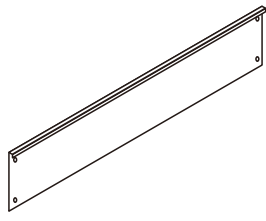


# Installation Manual

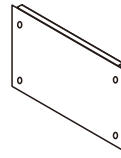




①x1pc



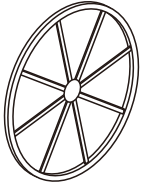
②x2pc



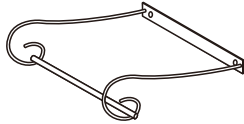
③x2pc



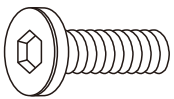
④x4pc



⑤x4pc



⑥x1pc



Ⓐx16pc



Ⓑx16pc



Ⓒx1pc

1

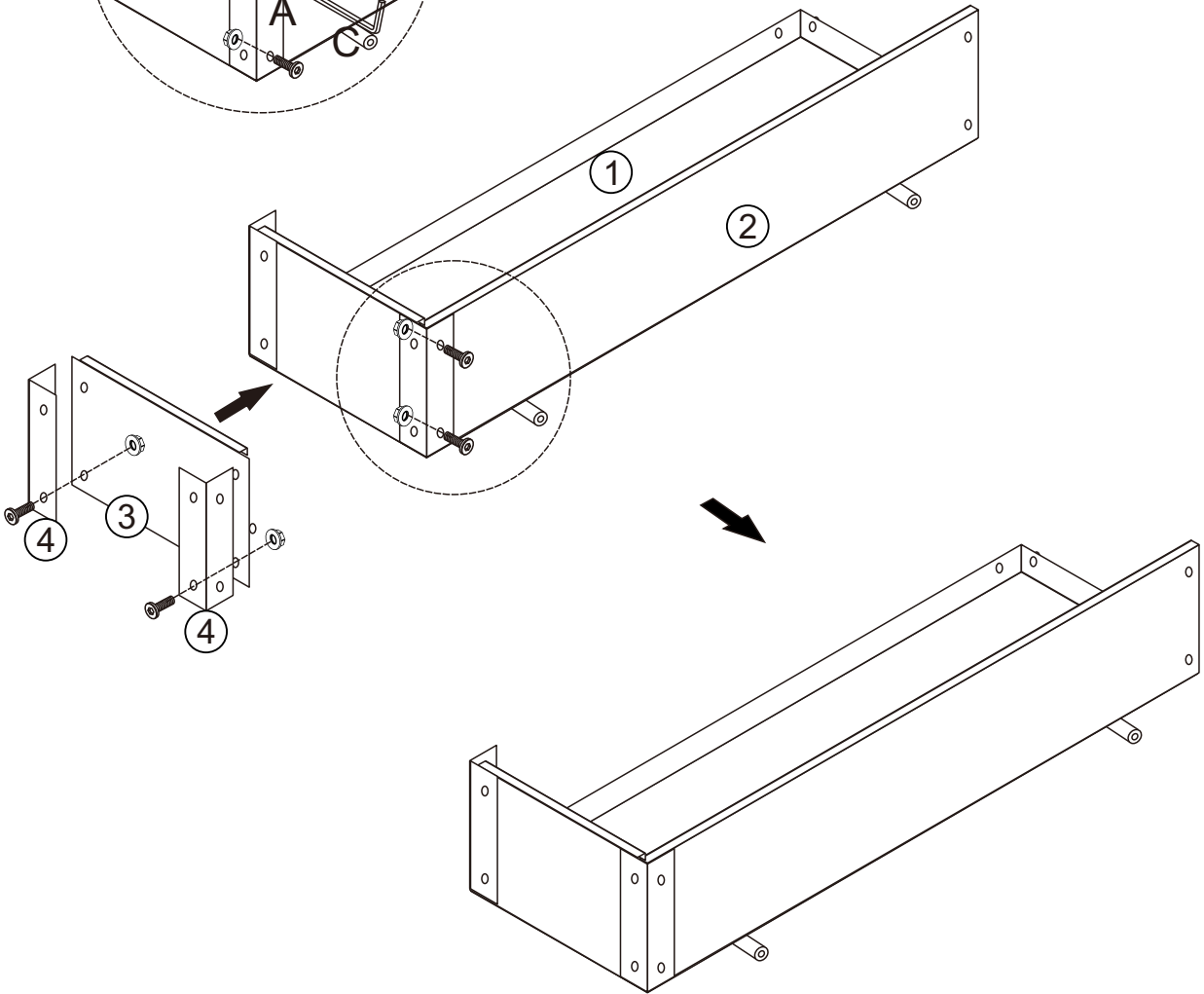
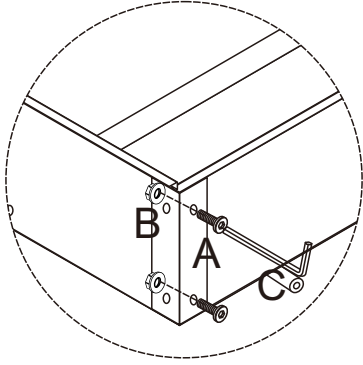
70%



A x4pc



B x4pc



2

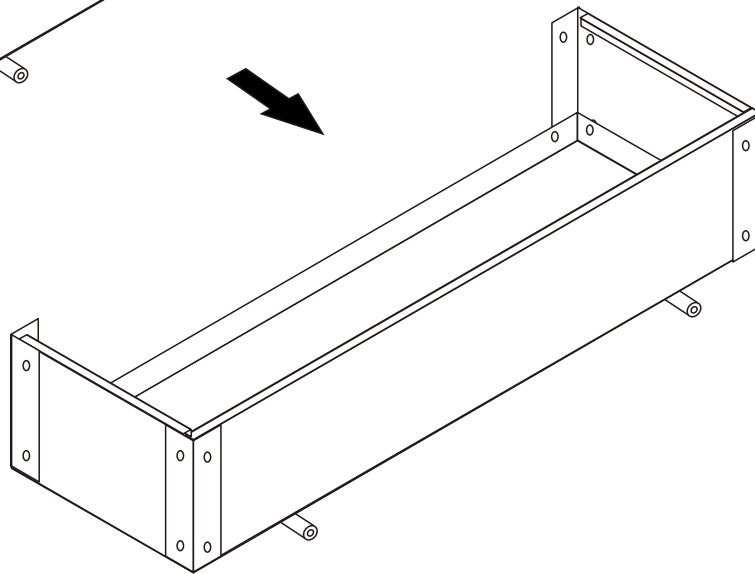
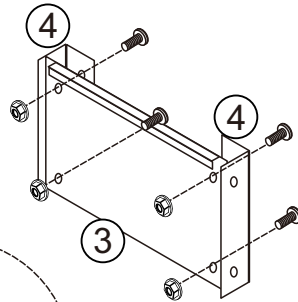
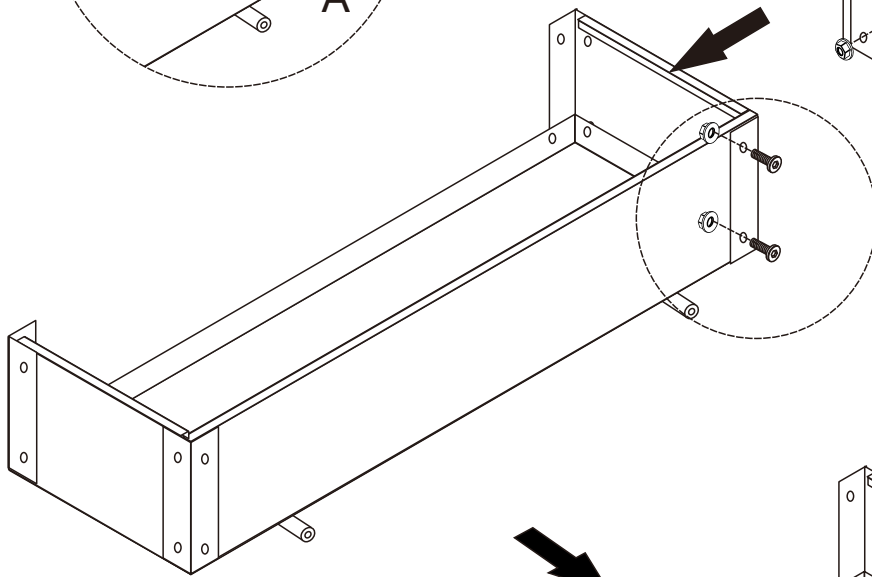
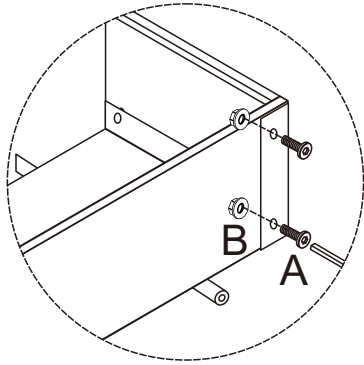
70%







A x6pc

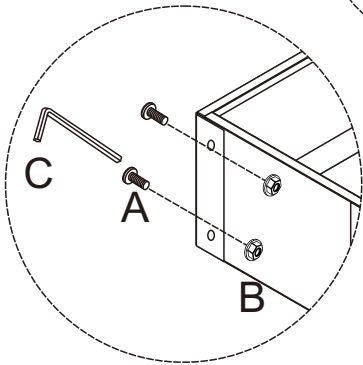
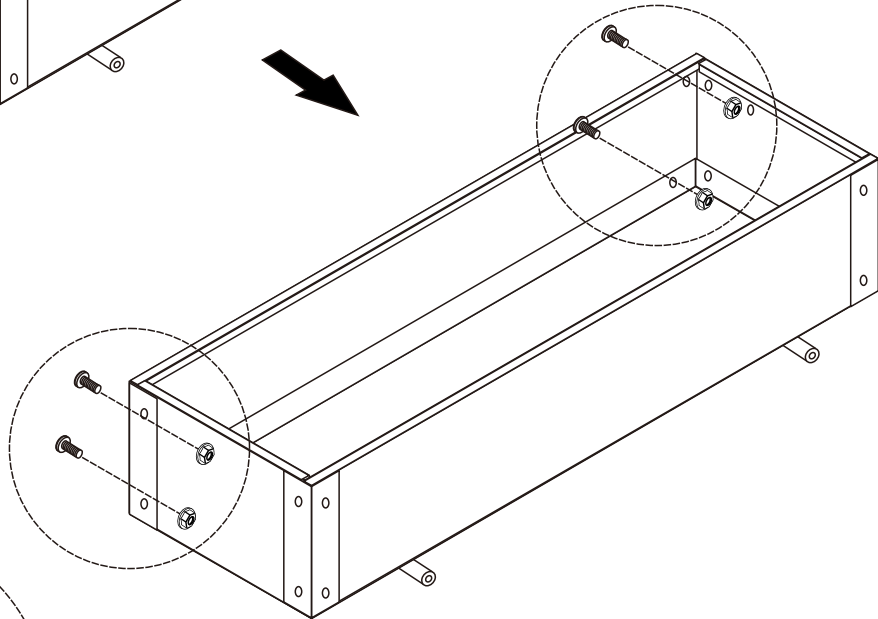
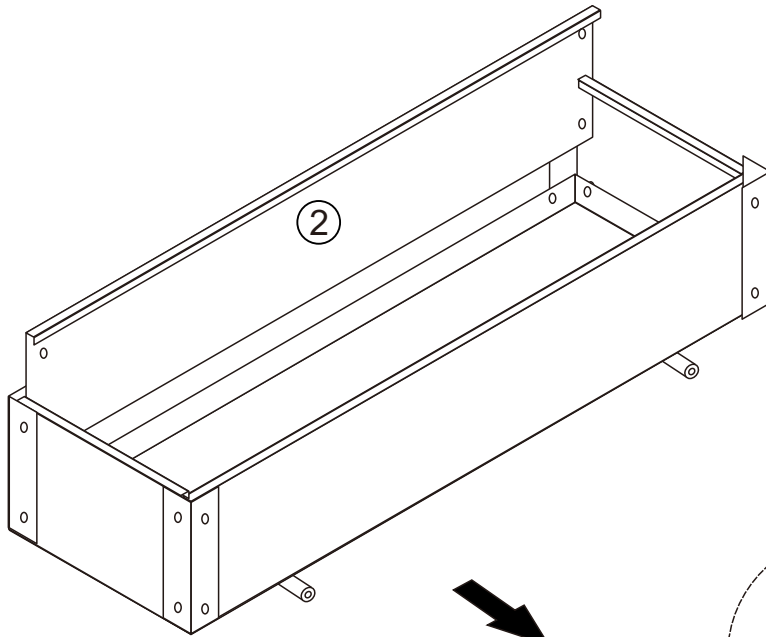


B x6pc







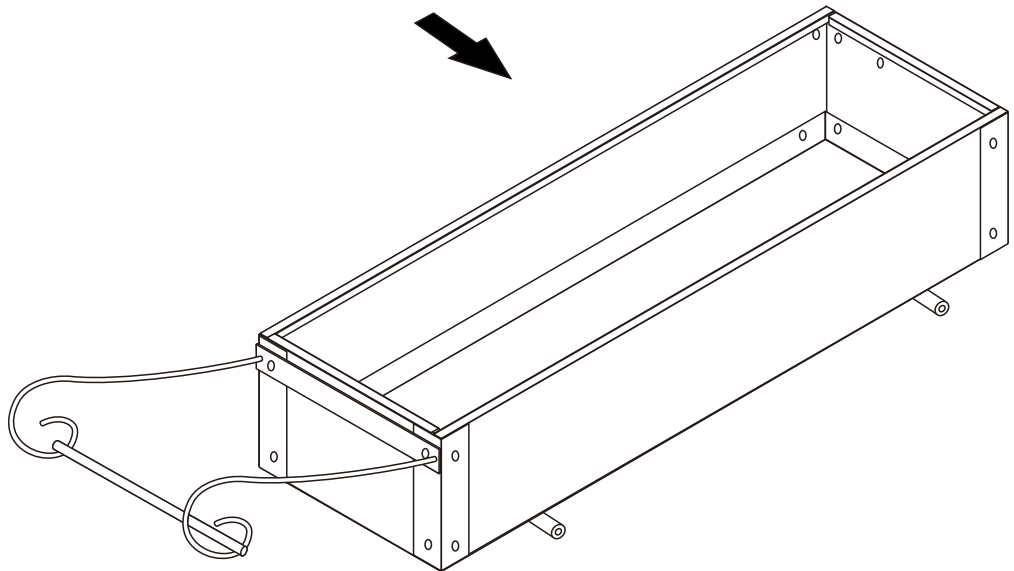
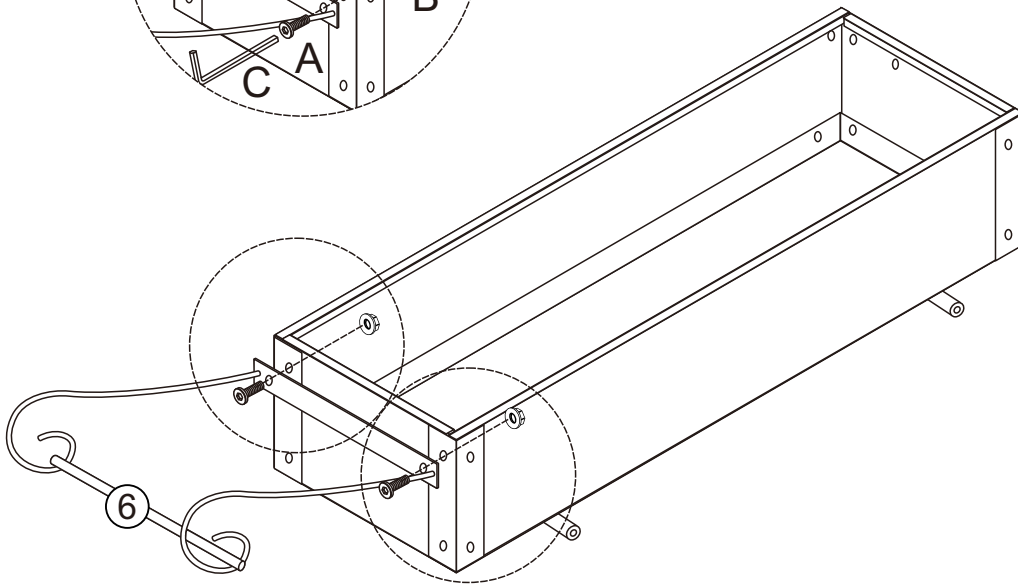
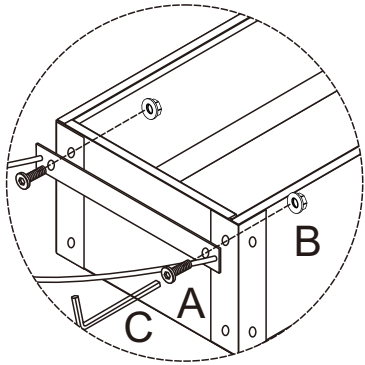
3

 <p>70%</p> 	 <p>Ⓐx4pc</p>	 <p>Ⓑx4pc</p>
---	--	--

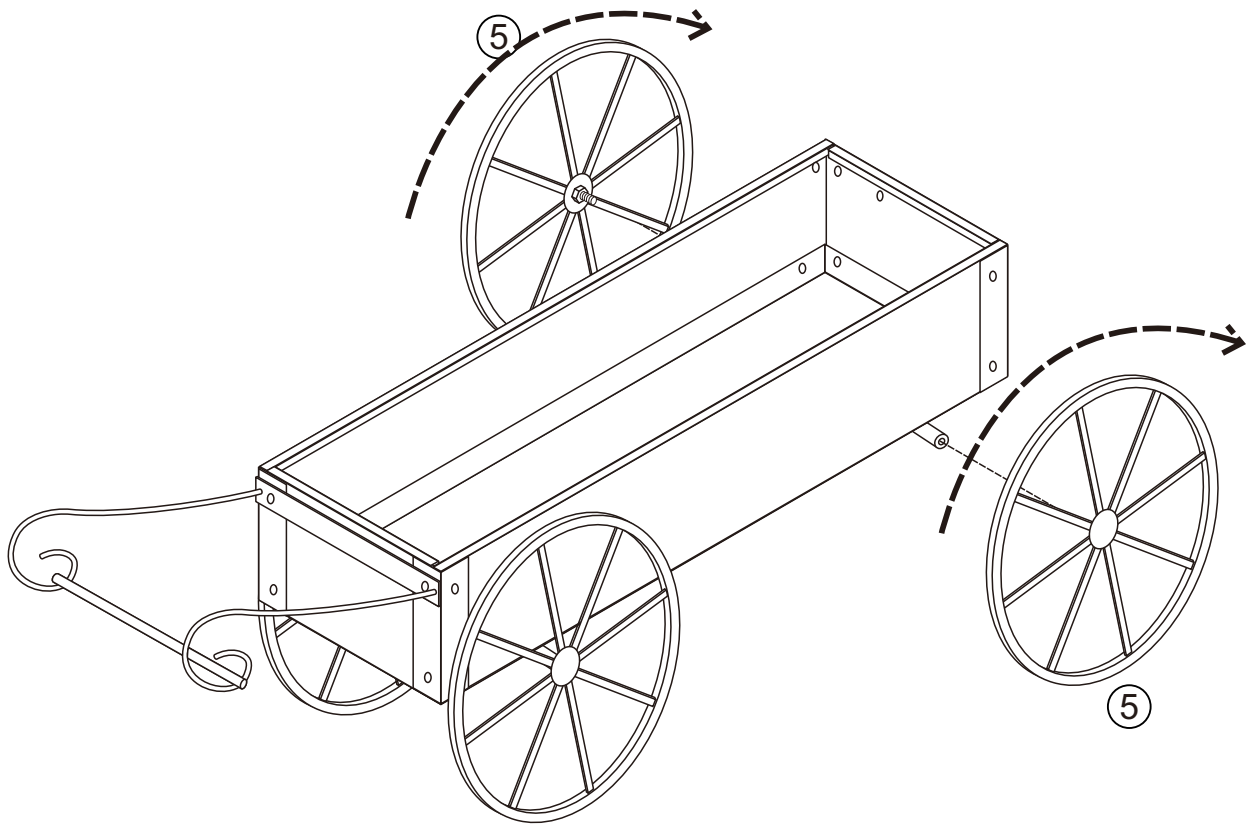
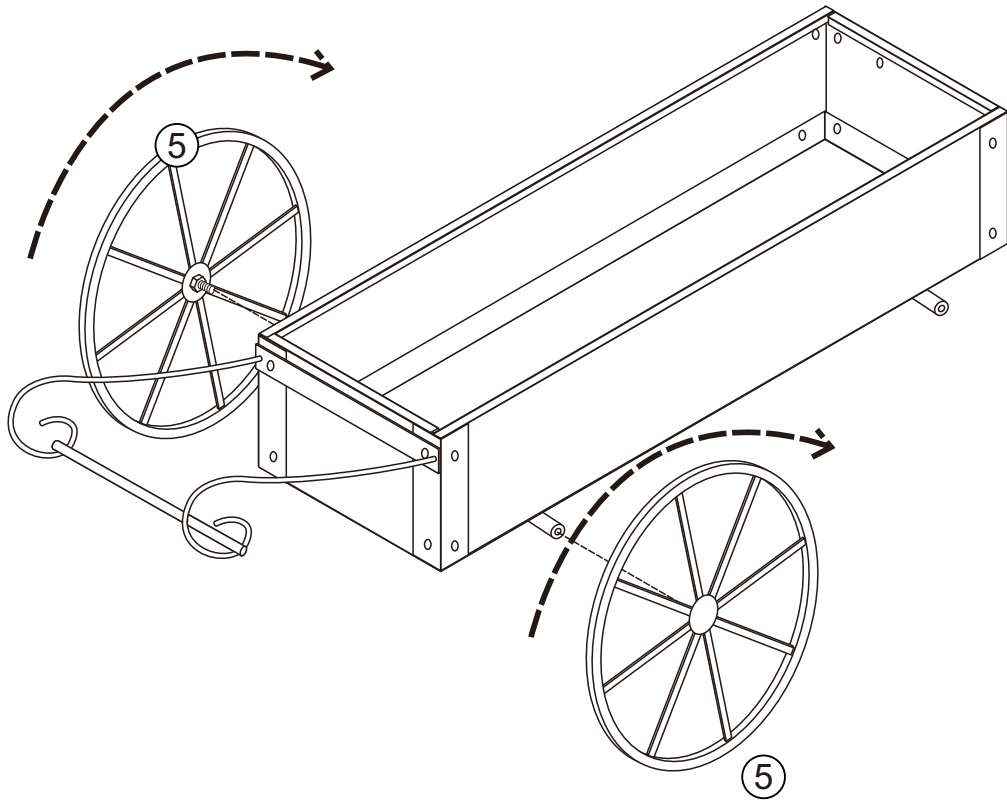


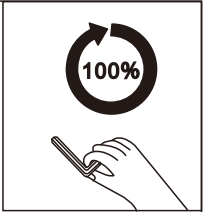
4

 	 Ⓐx2pc	 Ⓑx2pc
--	--	--



4





Tighten all screws to 100% after inspection.

