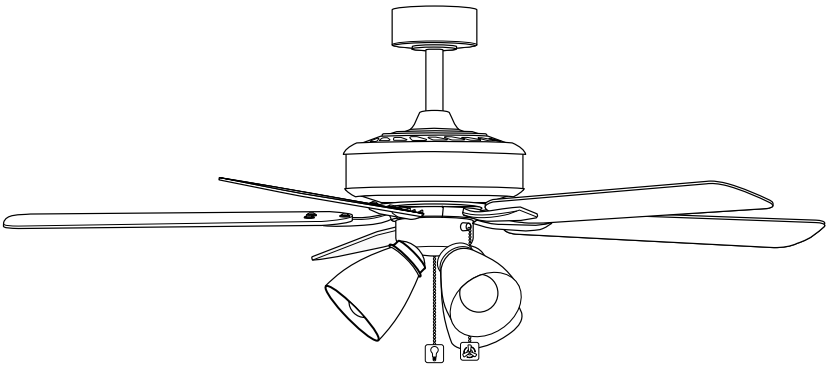


DF ] DESIGNERS™  
FOUNTAIN



## **STELLANT II**

**INDOOR & COVERED OUTDOOR  
CEILING FAN  
INSTALLATION INSTRUCTIONS**

**FP-STL52B30A**

---

# **WARRANTY**

---

## **WHAT IS COVERED**

The manufacturer limitedly warrants the fan motor to be free from defects in workmanship and material present for ten (10) years from date of purchase by the original purchaser. The manufacturer also warrants that all other fan parts, excluding glass or blades, to be free from defects in workmanship and material for a period of one (1) year. This warranty applies only to the original consumer purchaser and only to products used in normal use and service. If this product is found to be defective, the manufacturer's only obligation, and your exclusive remedy, is the repair or replacement of the product at the manufacturer's discretion, provided that the product has not been damaged through misuse, abuse, accident, modifications, alterations, neglect or mishandling.

## **WHAT IS NOT COVERED**

This limited warranty shall not apply to any product that is found to have been improperly installed, set-up, or used in any way not in accordance with the instructions supplied with the product. This warranty shall not apply to a failure of the product as a result of an accident, misuse, abuse, negligence, alteration, or faulty installation, or any other failure not relating to faulty material or workmanship. This warranty shall not apply to the finish on any portion of the product, such as surface and/or weathering, as this is considered normal wear and tear.

The manufacturer does not warrant and specially disclaims any warranty, whether expressed or implied, of fitness for a particular purpose, other than the warranty contained herein. The manufacturer specifically disclaims any liability and shall not be liable for any consequential or incidental loss or damage, including but not limited to any labor/expense costs involved in the replacement or repair of said product.

This warranty does not cover any labor costs or fees associated with the labor (including electrician's fees) required to install, remove, or replace a fan or any fan parts.

Contact the customer service team at 1-800-228-6197.

## **SAFETY INFORMATION**

---

**WARNING:** Disconnect the power prior to removing or installing the ceiling fan.

**WARNING:** To reduce risk of electric shock, this fan must be installed with an isolating wall control/switch.

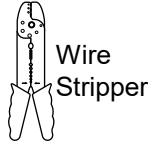
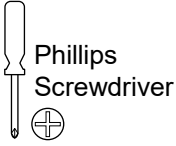
**WARNING:** To reduce the risk of personal injury, do not bend the blade arms when installing the brackets, balancing the blades or cleaning the fan.

**WARNING:** Do not insert foreign objects between rotating fan blades.

- To reduce risk of electric shock, ensure electricity has been turned off at the circuit breaker or fuse box before beginning.
- All wiring must be in accordance with the National Electrical Code and local electrical codes. Electrical installation should be performed by a qualified licensed electrician.
- The outlet box and support structure must be securely mounted and capable of reliably supporting a minimum of 35 lb (15.9 kg). Use only UL Listed outlet boxes marked "FOR FAN SUPPORT."
- The fan must be mounted with a minimum of 7 ft. (2.1 m) clearance from the trailing edge of the blades to the floor.
- Avoid placing objects in the path of the blades.
- To avoid personal injury or damage to the fan and other items, be cautious when working around or cleaning the fan.
- All set screws must be checked and retightened where necessary before installation.

## TOOLS REQUIRED

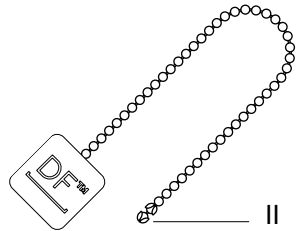
---



## HARDWARE INCLUDED

---

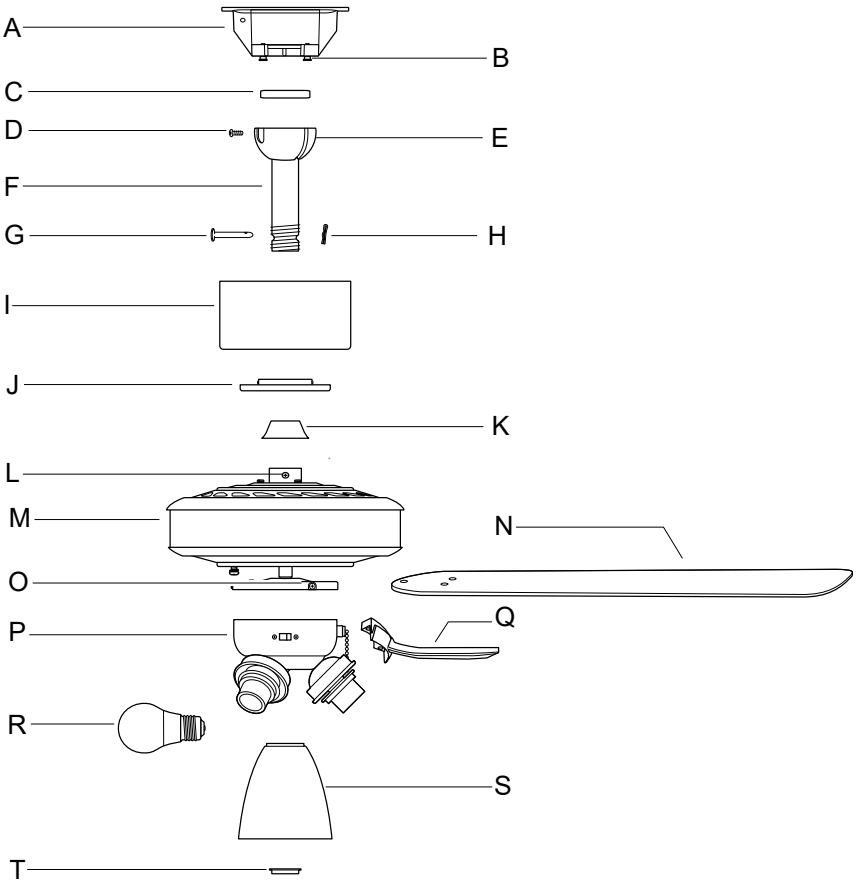
**NOTE:** Hardware is not shown to actual size.



Part	Description	Qty
AA	Lock Washer	2
BB	Flat Washer	2
CC	Fiber Washer	15
		+1 spare
DD	Blade Screw	15
		+1 spare
EE	Arm Screw*	10
		+1 spare
FF	Wire Nut	3
GG	Mounting Screw (#8-32)	2
HH	Mounting Screw (#10-32)	2
II	Pull Chain	2

\* The arm screws are pre-mounted to the motor, but there is an extra arm screw in the hardware package.

# CONTENTS



Part	Description	Qty
A	Mounting Bracket	1
B	Canopy Screw	2
C	Straight Pin	1
D	Ball Set Screw	2
E	Hanger Ball	1
F	Rod	1
G	Clevis Pin	1
H	Cotter Pin	1
I	Canopy	1
J	Canopy Cover	1

Part	Description	Qty
K	Motor Cover	1
L	Motor Set Screw	2
M	Motor	1
N	Blade	5
O	Housing Screws	3
P	Housing	1
Q	Blade Arm	5
R	6W LED Bulb	3
S	Glass Shade	3
T	Socket Ring	3

## MOUNTING OPTIONS

---

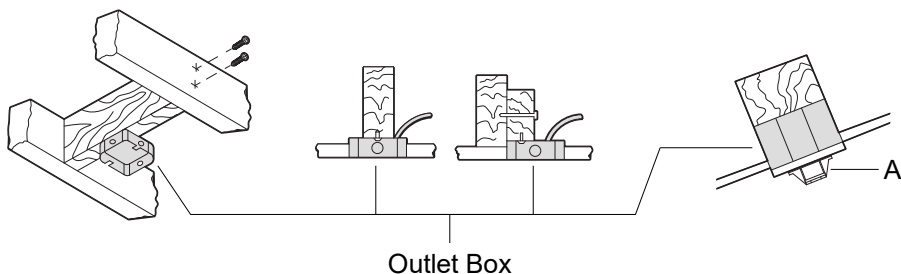
**WARNING:** To reduce the risk of fire, electric shock, or personal injury, mount the fan to an outlet box marked acceptable for fan support using the screws provided with the outlet box. An outlet commonly used for the support of lighting fixtures may not be suitable for fan support and may need to be replaced. If in doubt, consult a qualified electrician.

**NOTE:** You may need a longer rod to maintain proper blade clearance when installing on a steep, sloped ceiling. The maximum angle allowable is 16° away from horizontal. If the canopy (I) touches the hanger ball (E) rod (F), remove the decorative canopy cover (J) and turn the canopy (I) 180° before attaching the canopy (I) to the mounting bracket (A).

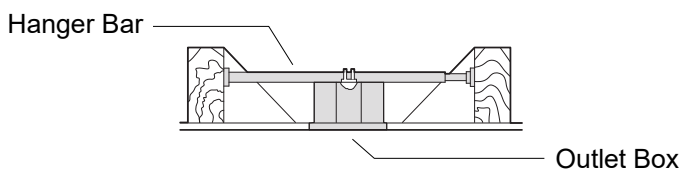
If your ceiling fan does not have an existing UL Listed mounting box, then install one using the following instructions:

- Disconnect the power by removing the fuse or turning off the circuit breaker.
- Secure the outlet box (not included) directly to the building structure. Use appropriate fasteners and materials (not included). The outlet box and its bracing must be able to fully support the weight of the moving fan (at least 35 lb). Do not use a plastic outlet box.

The illustrations below show three different ways to mount the outlet box (not included).



To hang your fan where there is an existing fixture but no ceiling joist, you may need an installation hanger bar (not included) as shown below.



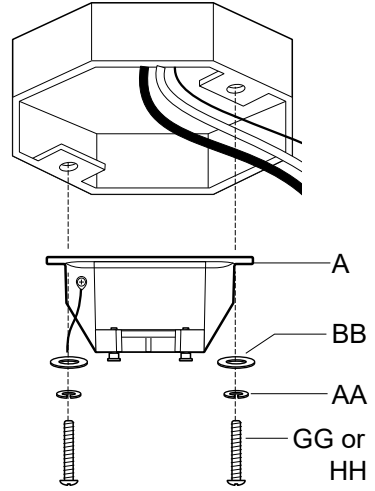
# INSTALLATION

---

## 1 ATTACH THE MOUNTING BRACKET

**NOTE:** Use either the #8-32 mounting screws (GG) or #10-32 mounting screws (HH) depending on the holes in the junction box.

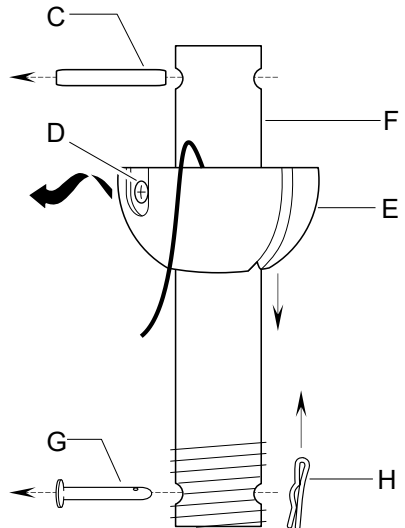
- Thread a lock washer (AA) followed by a flat washer (BB) onto a mounting screw (GG or HH).
- Secure the mounting bracket (A) onto the outlet box using the mounting screws (GG or HH) and tighten the mounting screws (GG or HH).



---

## 2 PREPARE THE HANGER BALL AND ROD

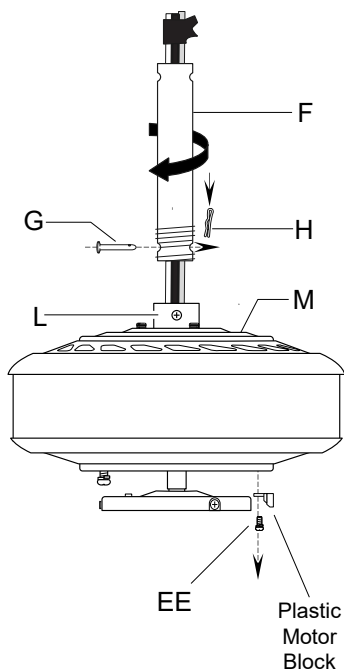
- Remove the cotter pin (H) and clevis pin (G) from the rod (F).
- Loosen the ball set screw (D) from the hanger ball (E).
- Pull the hanger ball (E) down and remove the straight pin (C) from the rod (F).
- Remove the hanger ball (E).



## INSTALLATION (CONTINUED)

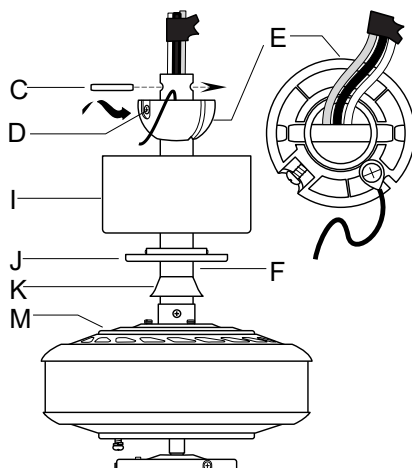
### 3 ASSEMBLE THE MOTOR AND ROD

- Remove the three plastic motor blocks but keep the arm screws (EE).
- Rotate the center of the motor as needed to access the arm screws (EE).
- Remove all the arm screws (EE) from the motor (M) and set them aside. Loosen the motor set screws (L) on the top of the motor (M).
- Pull the wires from the motor (M) through the center of the rod (F).
- Twist the rod (F) onto the motor (M) until it is tight and then unscrew the rod (F) slightly until the holes in the rod (F) and the holes on the motor (M) align.
- Insert the clevis pin (G) through the holes in the motor (M) and rod (F) and then secure it with the cotter pin (H).
- Tighten the motor set screws (L).



### 4 ASSEMBLE THE TOP

- Thread the wires through the motor cover (K), the canopy cover (J), the canopy (I), and hanger ball (E).
- Push the motor cover (K) down the rod (F) to cover the screws on the motor (M).
- Insert the straight pin (C) into the top of the rod (F) and push the hanger ball (E) up so it locks with the straight pin (C).
- Tighten the ball set screw (D) on the hanger ball (E).



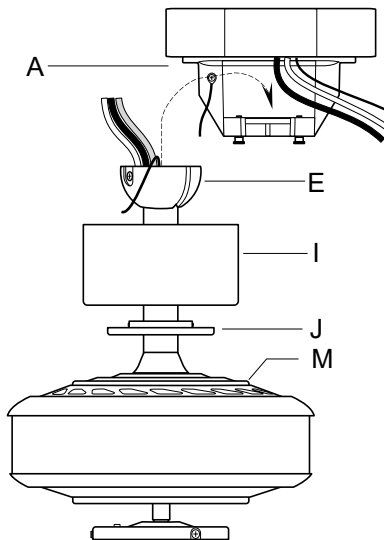
## INSTALLATION (CONTINUED)

### 5 MOUNT THE MOTOR

- ❑ Lift the hanger ball (E) up and through the mounting bracket (A) opening and allow the hanger ball (E) to sit in the bottom of the mounting bracket (A).

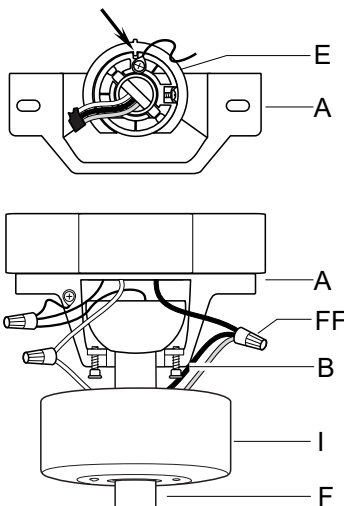
**NOTE:** The mounting bracket (A) has a guide near the bottom that aligns with the groove in the hanger ball (E).

- ❑ Make sure the hanger ball (E) locks in place with the guide on the mounting bracket (A).



### 6 CONNECT THE WIRES

- ❑ Ensure the bump in the rear of the mounting bracket (A) is aligned with the hanger ball (E) notch.
- ❑ Connect the ground supply wire to the ground mounting bracket wire and ground wire on the hanger ball (E) using a wire nut (FF).
- ❑ Connect the white supply wire to the white fixture wire using a wire nut (FF).
- ❑ If there is a second hot/power line coming from the outlet box, connect the second supply line to the blue (light power) fixture wire for separate light and fan control. Otherwise, connect the black supply wire to the black fixture wire and the blue fixture wire using a wire nut (FF).
- ❑ Secure each join with electrical tape. Tuck the wire connections into the outlet box.

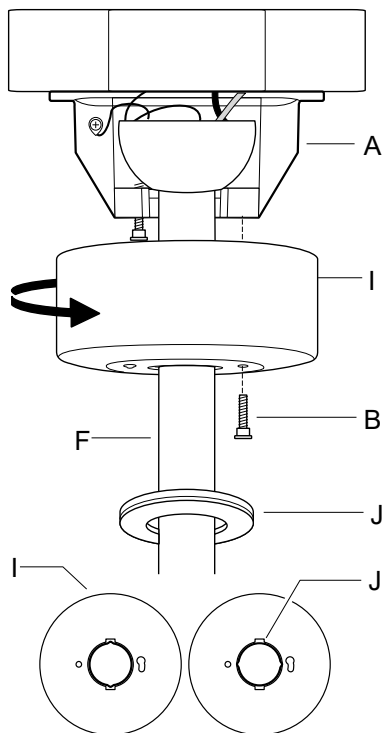


## INSTALLATION (CONTINUED)

---

### 7 SECURE THE CANOPY

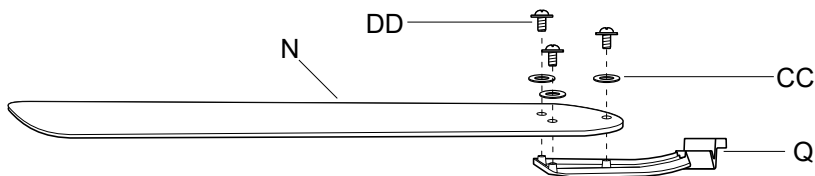
- Remove one of the canopy screws (B) from the mounting bracket (A).
- Align the canopy screw (B) with the wide part of the keyhole slot in the canopy (I).
- Rotate the canopy (I) until the canopy screw (B) is at the narrow end of the keyhole slot.
- Thread the other canopy screw (B) through the hole.
- Tighten the canopy screws (B) until the canopy (I) is secure.
- Align the canopy cover (J) projections with the cutouts on the canopy (I) and rotate it a quarter turn to secure the canopy cover (J) in place.



---

### 8 MOUNT THE BLADES

- The blades (N) come in white finish on one side and wood finish on the opposite side. Select the desired blade (N) finish and place it face down when mounting the blades (N) to the blade arm (Q).
- Affix each blade (N) to the blade arm (Q) using a fiber washer (CC) and a blade screw (DD).



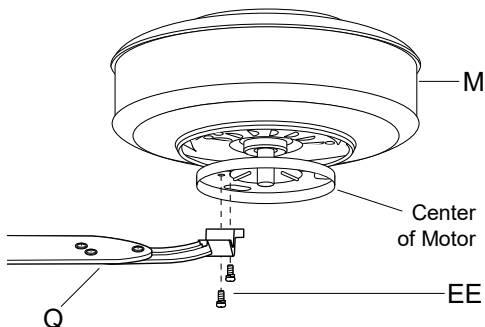
## INSTALLATION (CONTINUED)

---

### 9 MOUNT THE BLADE ARMS

**NOTE:** Rotate the center of the motor as needed to access the arm screw and the arm screw holes.

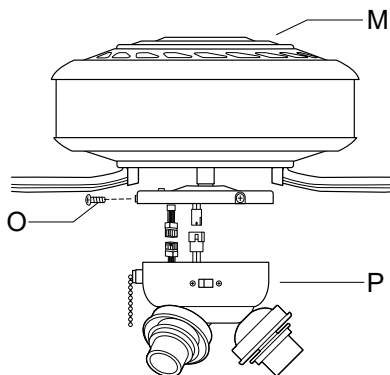
- Attach the blade arms (Q) to the motor (M) using the arm screws (EE) that were removed in step 3.



---

### 10 CONNECT THE HOUSING AND THE MOTOR

- Remove the housing screws (O) from the motor (M).
- Connect the quick connectors from the motor to the quick connectors on the housing (P).
- Attach the housing (P) to the motor (M) using the housing screws (O).



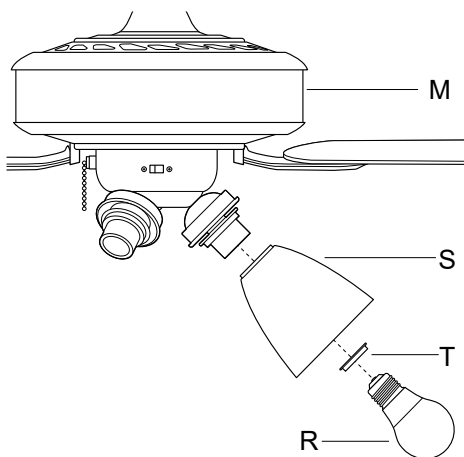
## INSTALLATION (CONTINUED)

---

### 11 ASSEMBLE THE LIGHTS

- Place a glass shade (S) over each socket and secure the glass shade (S) in place using the socket ring (T).
- Insert the bulbs (R) provided into each socket.

**NOTE:** Do not exceed 9W LED bulbs.

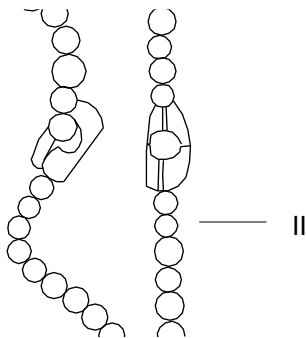


---

### 12 CONNECTING THE PULL CHAINS

**NOTE:** Make sure the chain with the fan fob goes to the fan, and the chain with the light fob goes to the light.

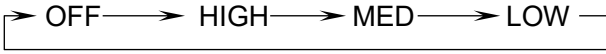
- Thread a single ball of the pull chain (II) into the connector and pull it straight up to lock it in place.



# OPERATION

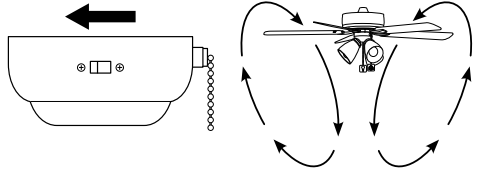
---

1. Turn on power at the circuit breaker or fuse box.
2. Turn the light switch on to activate the fixture.
3. Use the pull chains (II) to turn the light on or off, or to change the speed of the fan.



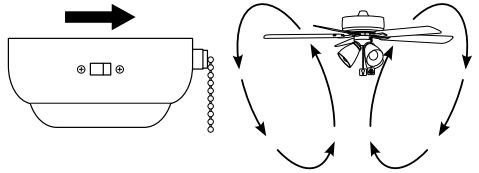
## SUMMER MODE (DOWNWARD)

- Move the switch position on the housing to the left.
- A downward airflow creates a cooling effect.



## WINTER MODE (UPWARD)

- Move the switch position on the housing to the right.
- An upward airflow moves warmer air off of the ceiling area.



## CARE AND CLEANING

---

- Use a dry or slightly dampened clean cloth and wipe the surface of the fixture.

**NOTE:** Do not use any cleaners with chemicals, solvents, or harsh abrasives.

## FREQUENTLY ASKED QUESTIONS

---

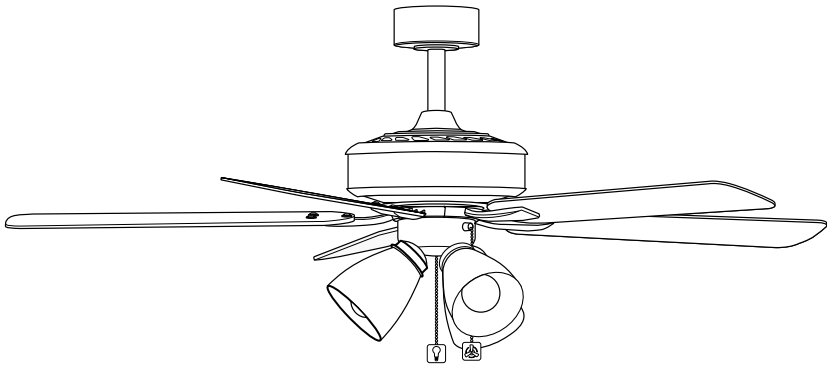
Question	Answer
Can the fan be installed flush?	<input type="checkbox"/> No. It must be installed with a downrod.
Can the fan be installed on a sloped ceiling?	<input type="checkbox"/> Yes, they can be installed on ceilings sloped up to 16° from horizontal.
Do you have extension downrods?	<input type="checkbox"/> Yes, we sell extension downrods.
Can I use two separate wall switches for fan and light?	<input type="checkbox"/> No.
Is the bulb replaceable?	<input type="checkbox"/> Yes.
Is the noise from the motor normal?	<input type="checkbox"/> Slight humming or creaking sounds are normal. <input type="checkbox"/> Grinding, rattling, and screeching are not normal.

## TROUBLESHOOTING

---

Problem	Solution
The fan will not start.	<ul style="list-style-type: none"><li><input type="checkbox"/> Check the breaker or the fuses.</li><li><input type="checkbox"/> Check the line wire connections to the fan and switch wire connections in the housing.</li></ul>
The fan sounds noisy.	<ul style="list-style-type: none"><li><input type="checkbox"/> Make sure all motor housing screws are snug.</li><li><input type="checkbox"/> Make sure the screws that attach the fan blade to the motor are tight.</li><li><input type="checkbox"/> Make sure the wire nut connections are not rattling against each other or the interior wall of the switch housing.</li><li><input type="checkbox"/> Allow a 24-hour “breaking in” period. Most noises associated with a new fan disappear during this time.</li><li><input type="checkbox"/> If using the ceiling light kit, make sure the glass shade is secured tightly.</li><li><input type="checkbox"/> Make sure there is a short distance from the ceiling to the canopy. It should not touch the ceiling.</li><li><input type="checkbox"/> Make sure your ceiling box is secure and that rubber isolator pads are used between the mounting bracket and outlet box.</li></ul>
The fan wobbles.	<ul style="list-style-type: none"><li><input type="checkbox"/> Verify that all blades and blade arm screws are secure (most fan wobble problems are caused by loose parts.) Once the fan is properly installed, run the ceiling fan for 10 minutes to let the fan self-adjust.</li></ul>

DF ] DESIGNERS™  
FOUNTAIN



## **STELLANT II**

**VENTILADOR PARA  
INTERIOR Y EXTERIOR CUBIERTO  
INSTRUCCIONES DE INSTALACIÓN**

**FP-STL52B30A**

---

# **GARANTÍA**

---

## **LO QUÉ ESTÁ CUBIERTO**

El fabricante limitadamente garantiza que el motor del ventilador está libre de defectos de mano de obra y materiales presentes durante un período de diez (10) años a partir de la fecha de compra por parte del comprador original. El fabricante también garantiza que todas las demás piezas del ventilador, excluyendo el vidrio o las aspas, estarán libres de defectos de mano de obra y material durante un período de un (1) año. Esta garantía se aplica únicamente al consumidor original y únicamente a los productos utilizados en condiciones de uso y servicio normales. Si se descubre que este producto es defectuoso, la única obligación del fabricante, y su exclusivo recurso, es la reparación o reemplazo del producto a discreción del fabricante, siempre que el producto no haya sido dañado por mal uso, abuso, accidente, modificaciones, alteraciones, negligencia o mal manejo.

## **LO QUE NO ESTÁ CUBIERTO**

Esta garantía limitada no se aplicará a ningún producto que se haya instalado, configurado o utilizado incorrectamente de cualquier manera que no esté de acuerdo con las instrucciones suministradas con el producto. Esta garantía no se aplicará a una falla del producto como resultado de un accidente, mal uso, abuso, negligencia, alteración o instalación defectuosa, o cualquier otra falla que no esté relacionada con materiales o mano de obra defectuosos. Esta garantía no se aplicará al acabado de ninguna parte del producto, como la superficie y/o la intemperie, ya que esto se considera desgaste normal.

El fabricante no garantiza y rechaza especialmente cualquier garantía, ya sea expresa o implícita, de idoneidad para un propósito particular, que no sea la garantía contenida en este documento. El fabricante renuncia específicamente a cualquier responsabilidad y no será responsable de ninguna pérdida o daño consecuente o incidental, incluidos, entre otros, los costos de mano de obra/gastos involucrados en el reemplazo o reparación de dicho producto.

Esta garantía no cubre ningún costo de mano de obra ni honorarios asociados con la mano de obra (incluidos los honorarios del electricista) necesarios para instalar, retirar o reemplazar un ventilador o cualquiera de sus piezas.

Comuníquese con el equipo de servicio al 1-800-228-6197.

## **INFORMACIÓN DE SEGURIDAD**

---

**ADVERTENCIA:** Desconecte la energía antes de quitar o instalar el ventilador de techo.

**ADVERTENCIA:** Para reducir el riesgo de descarga eléctrica, este ventilador debe instalarse con un control/interruptor de pared aislante.

**ADVERTENCIA:** Para reducir el riesgo de lesiones personales, no doble los brazos de las aspas al instalar los soportes, equilibrar las aspas o limpiar el ventilador.

**ADVERTENCIA:** No inserte objetos extraños entre las aspas del ventilador en rotación.

- Para reducir el riesgo de descarga eléctrica, asegúrese de que la electricidad esté apagada en el disyuntor o en la caja de fusibles antes de comenzar.
- Todo el cableado debe estar de acuerdo con el Código Eléctrico Nacional (N.E.C.) y los códigos eléctricos locales. La instalación eléctrica debe ser realizada por un electricista autorizado y calificado.
- La caja eléctrica y la estructura de soporte deben estar montadas de forma segura y ser capaces de soportar de manera confiable un mínimo de 35 lb (15.9 kg). Utilice únicamente cajas de salida certificadas por UL marcadas "FOR FAN SUPPORT".
- El ventilador debe montarse con un espacio libre mínimo de 2.1 m (7 pies) desde el borde posterior de las aspas hasta el suelo.
- Evite colocar objetos en el camino de las cuchillas.
- Para evitar lesiones personales o daños al ventilador y otros elementos, tenga cuidado al trabajar o limpiar el ventilador.
- Todos los tornillos de fijación deben revisarse y reapretarse cuando sea necesario antes de la instalación.

## HERRAMIENTAS NECESARIAS



Desarmador  
de Cruz



Pela-  
cables



Escalera



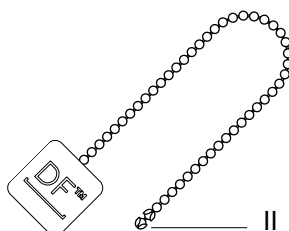
Cinta  
Eléctrica



Gafas  
Protectoras

## FERRETERÍA INCLUIDA

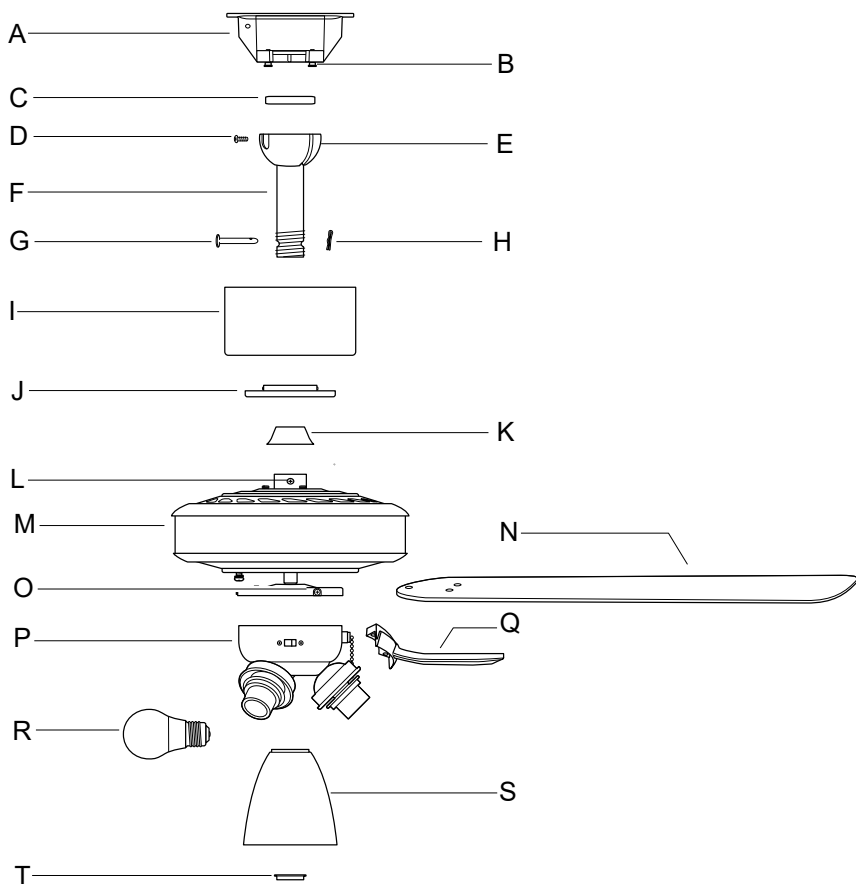
**NOTA:** La ferretería no se muestra en tamaño real.



Parte	Descripción	Cantidad
AA	Arandela de Seguridad	2
BB	Arandela Plana	2
CC	Arandela de Fibra	15
		+1 de mas
DD	Tornillo de Aspa	15
		+1 de mas
EE	Tornillo de Brazo*	10
		+1 de mas
FF	Tureca para Cables	3
GG	Tornillo de Montaje (#8-32)	2
HH	Tornillo de Montaje (#10-32)	2
II	Cadena	2

\* Los tornillos del brazo están premontados en el motor, pero hay un tornillo de brazo adicional en el paquete de hardware.

## CONTENIDO



Parte	Descripción	Cant.
A	Soporte de Montaje	1
B	Tornillo de la Cubierta	2
C	Clavo Recto	1
D	Tornillo de la Bola	2
E	Bola Colgante	1
F	Vara	1
G	Pasador de Horquilla	1
H	Chaveta	1
I	Cubierta	1
J	Tapa de la Cubierta	1

Parte	Descripción	Cant.
K	Tapa del Motor	1
L	Tornillo del Motor	2
M	Motor	1
N	Aspa	5
O	Tornillos del Alojamiento	3
P	Alojamiento	1
Q	Brazo de Aspa	5
R	Bombilla LED de 6W	3
S	Pantalla de Vidrio	3
T	Anillo del Enchufe	3

## OPCIONES DE MONTAJE

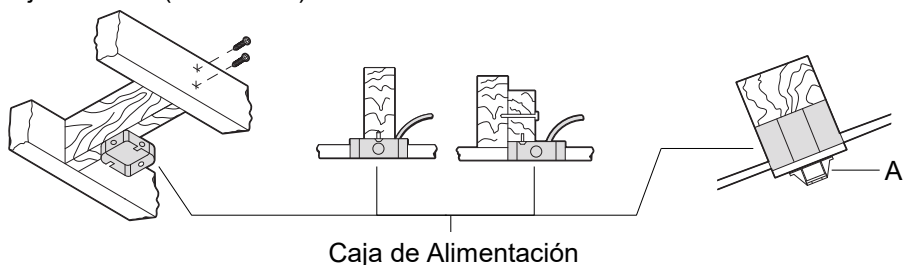
**ADVERTENCIA:** Para reducir el riesgo de incendio, descarga eléctrica o lesiones personales, monte el ventilador en una caja eléctrica marcada como aceptable para soporte del ventilador utilizando los tornillos proporcionados con la caja eléctrica. Es posible que un tomacorriente comúnmente utilizado para soportar accesorios de iluminación no sea adecuado para soportar ventiladores y deba ser reemplazado. En caso de duda, consulte a un electricista calificado.

**NOTA:** Es posible que necesite una vara más larga para mantener la distancia adecuada entre las aspas cuando instale en un techo inclinado y empinado. El ángulo máximo permitido es de 16° con respecto a la horizontal. Si la cubierta (I) toca la bola colgante (E) y la vara (F), retire la tapa de la cubierta (J) y gire la cubierta (I) 180° antes de fijar la cubierta (I) al soporte de montaje (A).

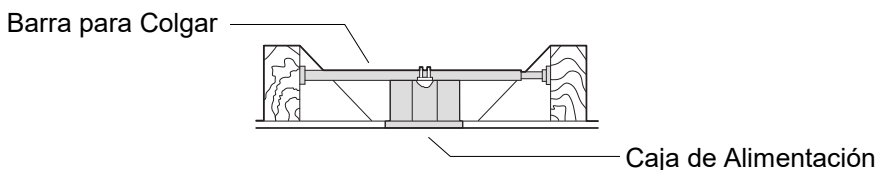
Si su ventilador de techo no tiene una caja de montaje listada por UL, instale una siguiendo las siguientes instrucciones:

- Desconecte la energía quitando el fusible o apagando el disyuntor.
- Asegure la caja eléctrica (no incluida) directamente a la estructura del edificio o casa. Utilice sujetadores y materiales adecuados (no incluidos). La caja eléctrica y su soporte deben poder soportar completamente el peso del ventilador en movimiento (al menos 35 lb). No utilice una caja eléctrica de plástico.

Las siguientes ilustraciones muestran tres formas diferentes de montar la caja eléctrica (no incluida).



Para colgar su ventilador donde hay un accesorio existente pero no una viga del techo, es posible que necesite una barra para colgar de instalación (no incluida), como se muestra a continuación.

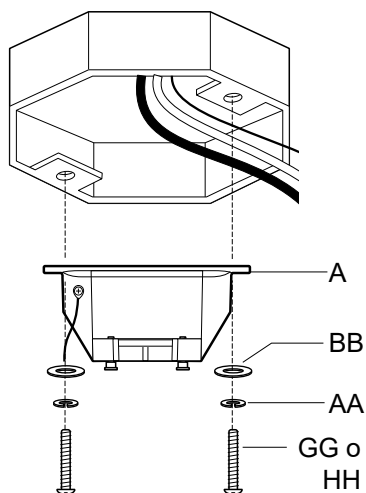


# INSTALACIÓN

## 1 FIJE EL SOPORTE DE MONTAJE

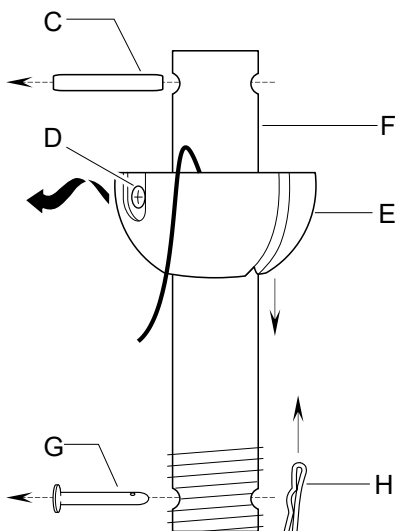
**NOTA:** Utilice los tornillos de montaje #8-32 (GG) o los tornillos de montaje #10-32 (HH) según los agujeros de la caja de conexiones.

- Enrosque una arandela de seguridad (AA) seguida por una arandela plana (BB) en un tornillo de montaje (GG o HH).
- Asegure el soporte de montaje (A) en la caja eléctrica usando los tornillos de montaje (GG o HH) y apriete los tornillos de montaje (GG o HH).



## 2 PREPARAR LA BOLA COLGANTE Y LA VARA

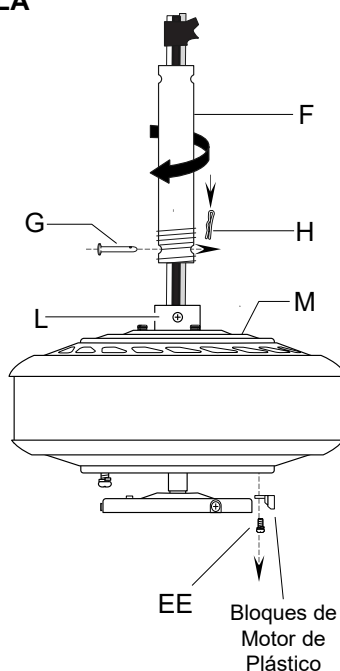
- Retire la chaveta (H) y el pasador de horquilla (G) de la vara (F).
- Afloje el tornillo de la bola (D) de la bola colgante (E).
- Jale la bola colgante (E) hacia abajo y retire el clavo recto (C) de la varilla (F).
- Retire la bola colgante (E).



## INSTALACIÓN (CONTINUACIÓN)

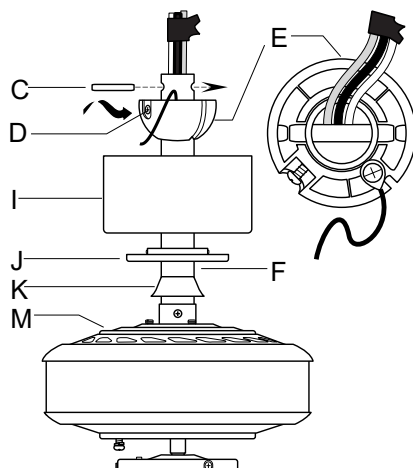
### 3 ENSAMBLAJE DEL MOTOR Y LA VARILLA

- Retire los tres bloques de motor de plástico, pero conserve los tornillos de brazo (EE).
- Gire el centro del motor según sea necesario para acceder a los tornillos de brazo (EE).
- Retire todos los tornillos de brazo (EE) del motor (M) y déjelos a un lado.
- Afloje los tornillos del motor (L) en la parte superior del motor (M).
- Pase los cables del motor (M) a través del centro de la vara (F).
- Gire la vara (F) en el motor (M) hasta que esté apretada y luego desenrosque la vara (F) ligeramente hasta que los agujeros de la vara (F) y los agujeros del motor (M) se alineen.
- Inserte el pasador de horquilla (G) a través de los agujeros del motor (M) y la vara (F), y luego asegúrelo con la chaveta (H).
- Apriete los tornillos del motor (L).



### 4 ENSAMBLAJE LA PARTE SUPERIOR

- Pase los cables a través de la tapa del motor (K), la tapa de la cubierta (J), la cubierta (I) y la bola colgante (E).
- Empuje la tapa del motor (K) hacia abajo por la vara (F) para cubrir los tornillos en el motor (M).
- Inserte el clavo recto (C) en la parte superior de la vara (F) y empuje la bola colgante (E) hacia arriba para que se trabe con el clavo recto (C).
- Apriete el tornillo de la bola (D) en la bola colgante (E).



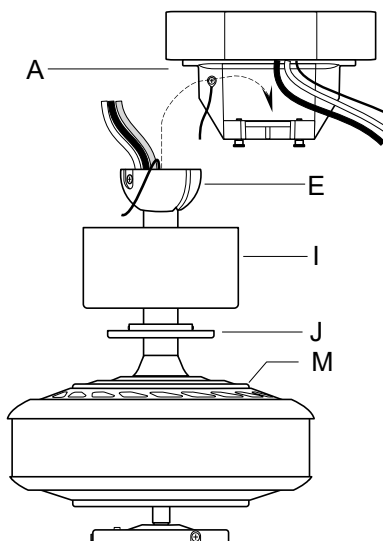
## INSTALACIÓN (CONTINUACIÓN)

### 5 MONTAR EL MOTOR

- Levante la bola colgante (E) hacia arriba y a través de la abertura del soporte de montaje (A), y permita que la bola colgante (E) se asiente en la parte inferior del soporte de montaje (A).

**NOTA:** El soporte de montaje (A) tiene una guía cerca de la parte inferior que se alinea con la ranura en la bola colgante (E).

- Asegúrese de que la bola colgante (E) encaje en su lugar con la guía del soporte de montaje.(A).



### 6 CONECTAR LOS CABLES

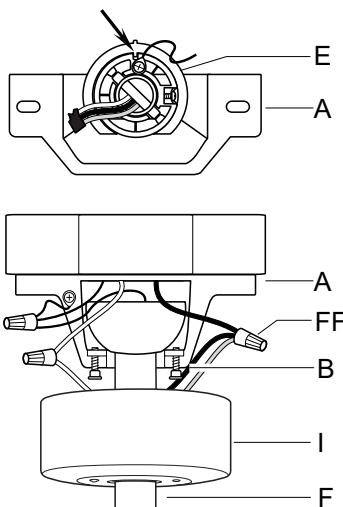
- Asegúrese de que la protuberancia en la parte trasera del soporte de montaje (A) esté alineada con la muesca de la bola colgante (E).

- Conecte el cable de alimentación de tierra al cable del soporte de montaje a tierra y al cable de tierra en la bola colgante (E) usando una tuerca para cables (FF).

- Conecte el cable de alimentación blanco al cable blanco del ventilador usando una tuerca para cables (FF).

- Si hay una segunda línea de caliente proveniente de la caja de alimentación, conecte la segunda línea de alimentación al cable azul (de luz caliente) del ventilador para controlar la luz y el ventilador por separado. De lo contrario, conecte el cable de alimentación negro a los cables negro y azul del ventilador usando una tuerca para cables (FF).

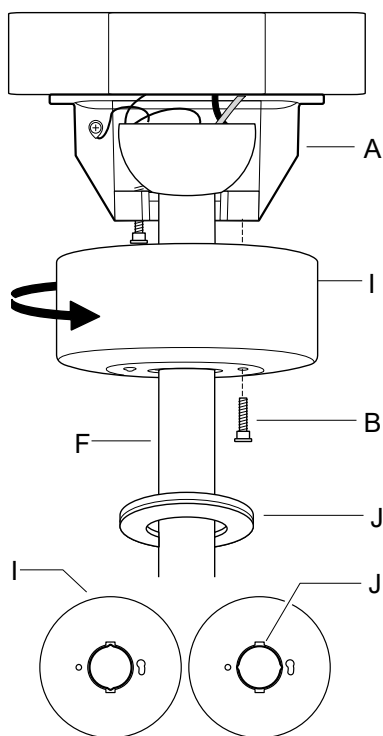
- Asegure cada unión con cinta adhesiva. Meta las conexiones de los cables en la caja de alimentación.



## INSTALACIÓN (CONTINUACIÓN)

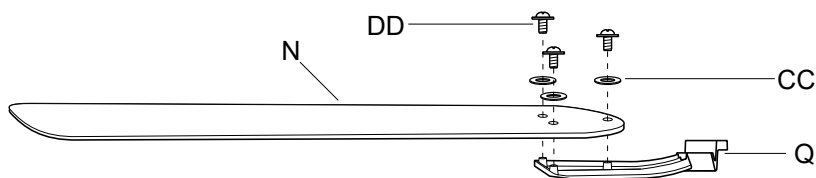
### 7 ASEGURE LA CUBIERTA

- Retire uno de los tornillos de la cubierta (B) del soporte de montaje (A).
- Alinee el tornillo de la cubierta (B) con la parte ancha de la ranura bocallave en la cubierta (I).
- Gire la cubierta (I) hasta que el tornillo de la cubierta (B) esté en el extremo angosto de la ranura bocallave.
- Pase el otro tornillo de la cubierta (B) a través del agujero.
- Apriete los tornillos de la cubierta (B) hasta que la cubierta (I) esté segura.
- Alinee las proyecciones de la tapa de la cubierta (J) con los recortes en la cubierta (I) y gírelas un cuarto de vuelta para asegurar la tapa de la cubierta (J) en su lugar.



### 8 MONTE LAS ASPAS

- Las aspas (N) vienen en acabado blanco por un lado y acabado de madera por el lado contrario. Seleccione el acabado de las aspas (N) que desee cuando monte las aspas (N) en el brazo de aspa (Q).
- Fije cada aspa (N) al brazo de aspa (Q) usando una arandela de fibra (CC) y un tornillo de aspa (DD).



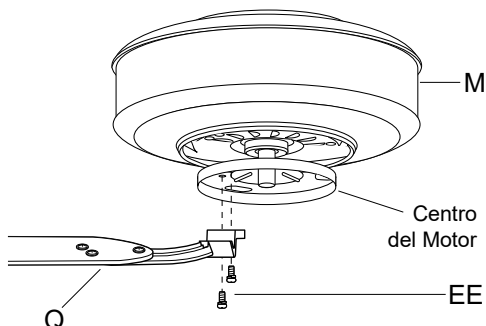
## INSTALACIÓN (CONTINUACIÓN)

---

### 9 MONTE LOS BRAZOS DE LAS ASPAS

**NOTA:** Gire el centro del motor según sea necesario para acceder al tornillo del brazo y a los agujeros para los tornillos de brazo.

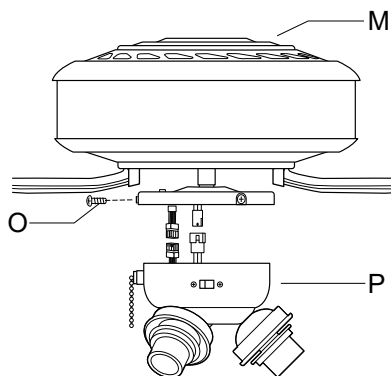
- Conecte los brazos de aspas (Q) al motor (M) usando los tornillos de brazo (EE) que se quitaron en el paso 3.



---

### 10 CONECTE EL ALOJAMIENTO AL MOTOR

- Retire los tornillos del alojamiento (O) del motor (M).
- Conecte los conectores rápidos del motor a los conectores rápidos del alojamiento (P).
- Fije el alojamiento (P) al motor (M) utilizando los tornillos del alojamiento (O).



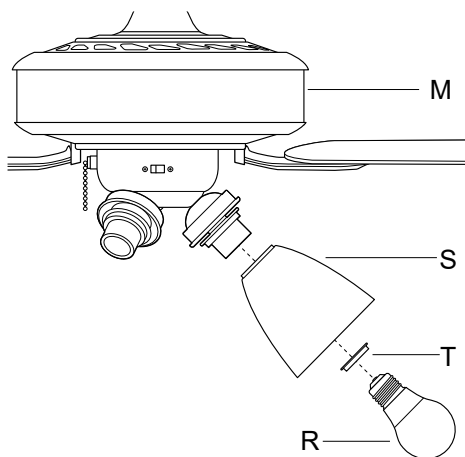
## INSTALACIÓN (CONTINUACIÓN)

---

### 11 MONTAR LAS LUCES

- Coloque una pantalla de vidrio (S) sobre cada enchufe y asegúrela en su lugar usando el anillo del enchufe (T).
- Inserte las bombillas (R) proporcionadas en cada enchufe.

**NOTA:** No exceda bombillas LED de 9 vatios.

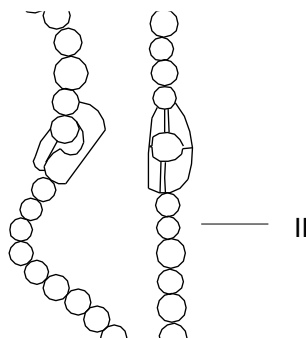


---

### 12 CONECTANDO LAS CADENAS

**NOTA:** Asegúrese de que la cadena con la placa de ventilador vaya al ventilador y la cadena con la placa de la luz vaya a la luz.

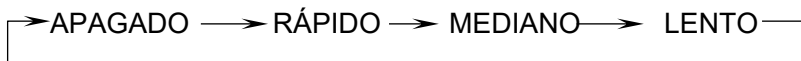
- Pase una sola bola de la cadena (II) en el conector y jale de ella hacia arriba para fijarla en su lugar.



## OPERACIÓN

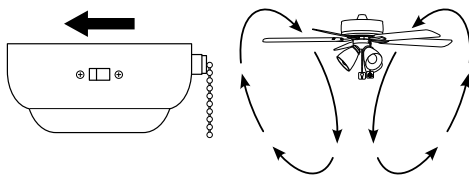
---

1. Encienda la energía en el disyuntor o la caja de fusibles.
2. Encienda el interruptor de la luz para activar el dispositivo.
3. Utilice las cadenas (II) para encender o apagar la luz, o para cambiar la velocidad del ventilador.



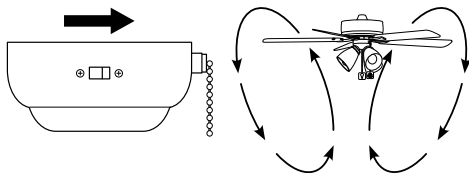
### MODO DE VERANO (HACIA ABAJO)

- Mueva la posición del interruptor en el alojamiento hacia la izquierda.
- Un flujo de aire descendente crea un efecto refrescante.



### MODO DE INVIERNO (HACIA ARRIBA)

- Mueva la posición del interruptor en el alojamiento hacia la derecha.
- Un flujo de aire ascendente expulsa el aire más cálido del área del techo.



## **CUIDADO Y LIMPIEZA**

---

- Utilice un paño limpio seco o ligeramente humedecido y limpie la superficie del ventilador.

**NOTA:** No utilice limpiadores con productos químicos, disolventes o abrasivos fuertes.

## **PREGUNTAS FRECUENTES**

---

<b>Pregunta</b>	<b>Respuesta</b>
¿Se puede instalar el ventilador al ras?	<input type="checkbox"/> No. Debe instalarse con una varilla.
¿Se puede instalar el ventilador en un techo inclinado?	<input type="checkbox"/> Sí, se pueden instalar en techos inclinados hasta 16° desde horizontal.
¿Tienes varillas de extensión?	<input type="checkbox"/> Sí, vendemos varillas de extensión.
¿Puedo usar dos interruptores de pared separados para el ventilador y la luz?	<input type="checkbox"/> No.
¿Las bombillas son reemplazables?	<input type="checkbox"/> Sí.
¿Es normal el ruido del motor?	<input type="checkbox"/> Los sonidos ligeros o crujientes son normales. <input type="checkbox"/> La molienda, el traqueteo y el chillido no son normales.

## SOLUCIÓN DE PROBLEMAS

---

Problema	Solución
El ventilador no arranca.	<ul style="list-style-type: none"><li><input type="checkbox"/> Revise el disyuntor o los fusibles.</li><li><input type="checkbox"/> Revise las conexiones de los cables de línea al ventilador y los cables de conexiones del interruptor en el alojamiento.</li></ul>
El ventilador suena ruidoso.	<ul style="list-style-type: none"><li><input type="checkbox"/> Asegúrese de que todos los tornillos del alojamiento del motor estén ajustados.</li><li><input type="checkbox"/> Asegúrese de que los tornillos que sujetan las aspas del ventilador al motor estén apretados.</li><li><input type="checkbox"/> Asegúrese de que las conexiones de las tuercas para cables no golpeen entre sí ni contra la pared interior del alojamiento del interruptor.</li><li><input type="checkbox"/> Permita un período de “asentamiento” de 24 horas. La mayoría de los ruidos asociados con un ventilador nuevo desaparecen durante este tiempo.</li><li><input type="checkbox"/> Si utiliza el kit de iluminación de techo, asegúrese de que la pantalla de vidrio esté bien asegurada.</li><li><input type="checkbox"/> Asegúrese de que haya una distancia corta desde el techo hasta el dosel. No debe tocar el techo.</li><li><input type="checkbox"/> Asegúrese de que su caja de techo esté segura y de que se utilicen gomas aislantes entre el soporte de montaje y la caja eléctrica.</li></ul>
El ventilador se tambalea.	<ul style="list-style-type: none"><li><input type="checkbox"/> Verifique que todas las aspas y los tornillos de brazo estén asegurados (la mayoría de los problemas de oscilación del ventilador se deben a piezas sueltas). Una vez que el ventilador esté instalado correctamente, haga funcionar el ventilador de techo durante 10 minutos para permitir que se autoajuste.</li></ul>