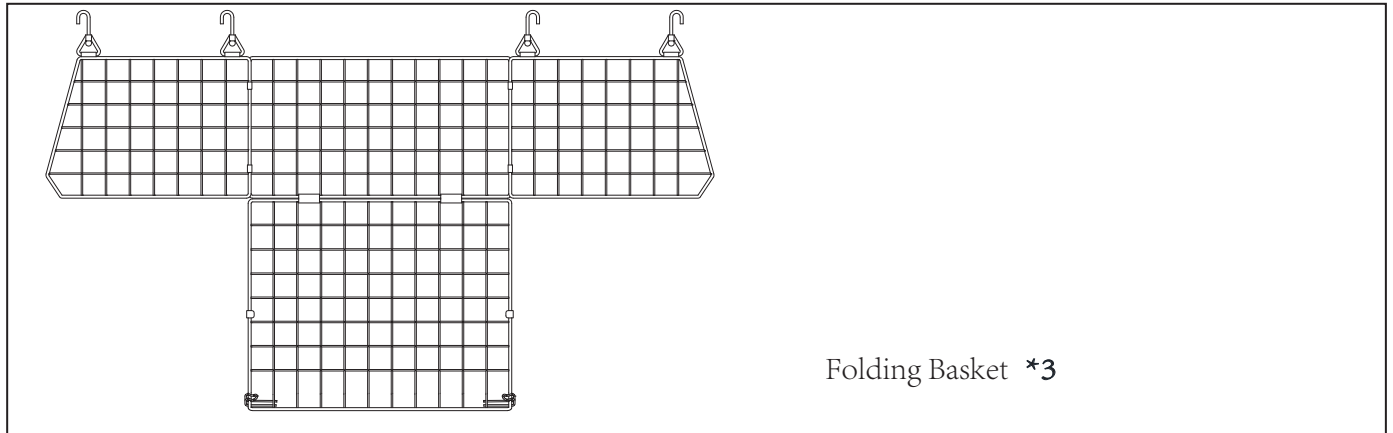


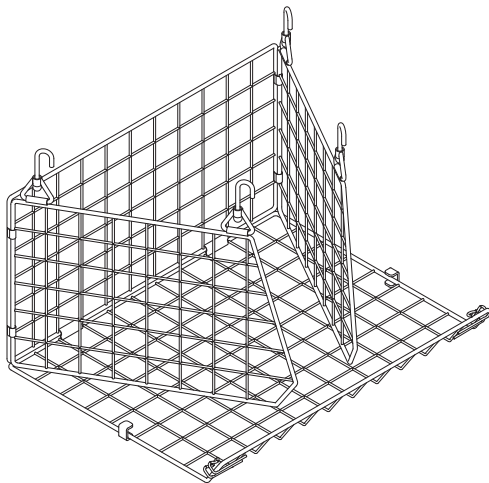
Installation Instructions

Accessories include

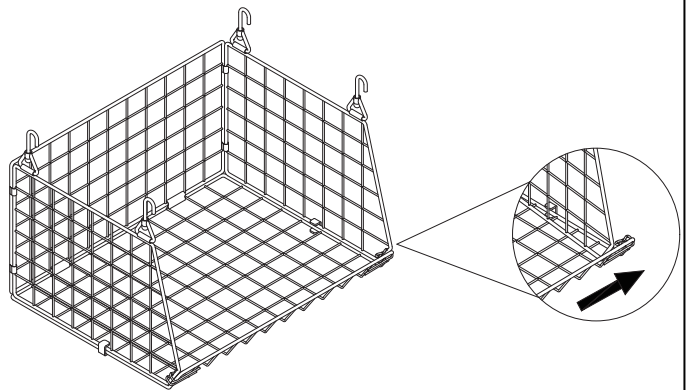


Installation Steps

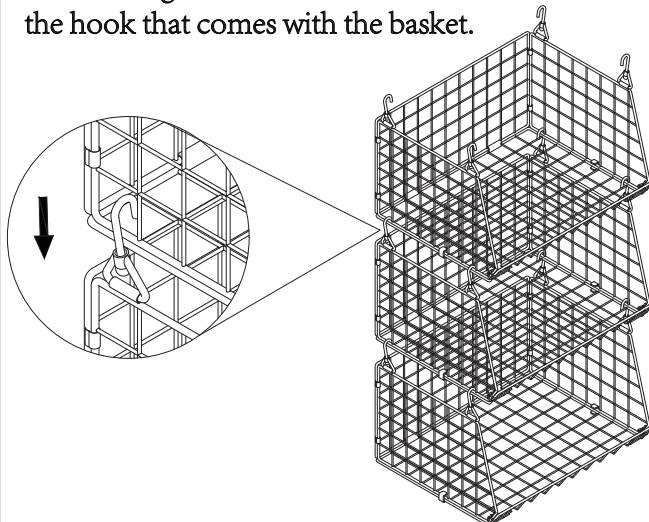
1. Place Basket as the picture shows.



2. Use the buckle on Buckles' Sides to connect the bottom sides, then buckle tightly.



3. Stack three baskets together. Note: The connection can be hung on the bottom of the last basket with the hook that comes with the basket.



4. Each basket can be used alone. DIY the combination. Note: The hook on the basket can be rotated 360 degrees as needed.

