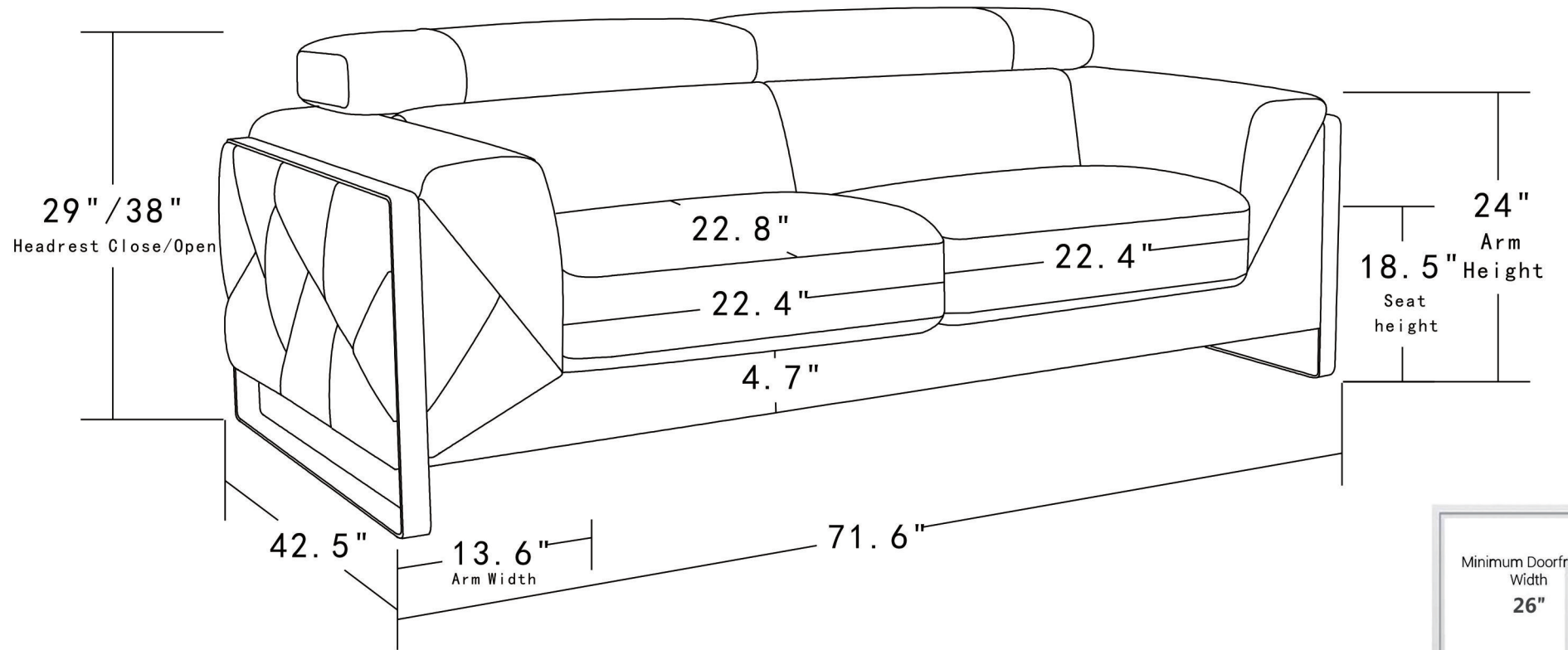


\*Rotate Chair 90° to fit through the door before attaching backrest



\*Rotate Chair 90° to fit through the door before attaching backrest