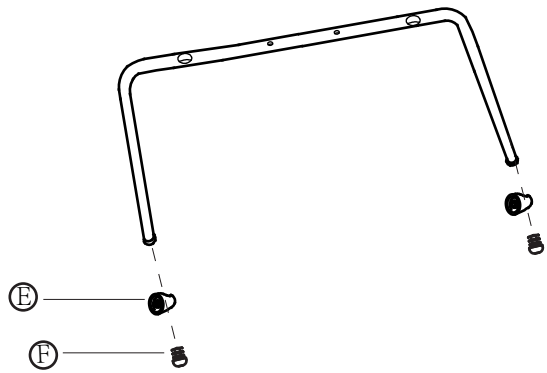


Assembly Instruction

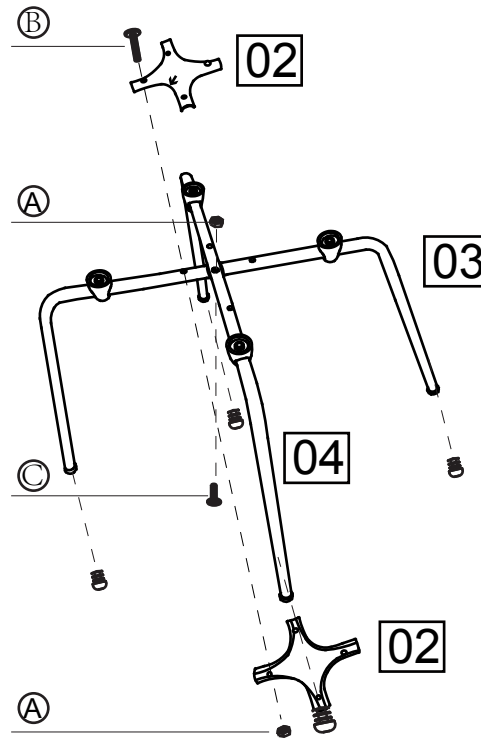
COMPONENT PARTS

FITTINGS

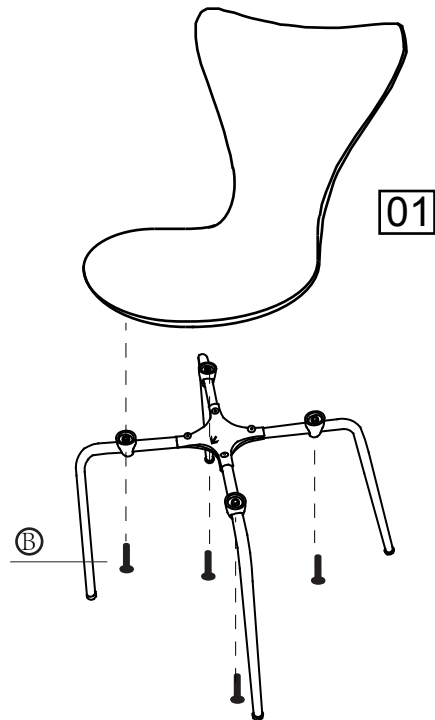
Step1



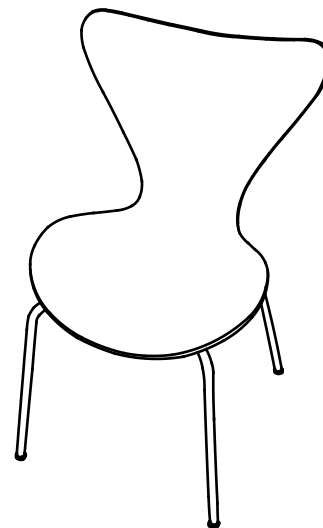
Step2









Step3



Step4



(A)		× 5
(B)		× 4
(C)		× 1
(D)		× 4
(E)		× 4
(F)		× 4

COMPONENT CHECKLIST

PART	No.	Qty.	
Seat	01	1	<input type="checkbox"/>
Metal suport	02	2	<input type="checkbox"/>
Leg 1	03	1	<input type="checkbox"/>
Leg 2	04	1	<input type="checkbox"/>

TOOLS REQUIRED



Allen key (supplied)