

OUTDOOR SECTIONAL

INSTRUCTION MANUAL



Email: opemtdo@163.com

IMPORTANCE

- ▶1. Please DO NOT fix screws tightly until all screws and holes have been connected successfully.
- ▶2. Thread the screws a little bit first,leave them loose until ALL screws are in,and then tighen them all.
- ▶3. Please email us (opemtdo@163.com) with PICTURES of parts and SKU# info. on box marks if there is any trouble with assembly or missing or damaged parts.
- ▶4. Don't expose cushions (if have) in the BURNING sun for a long time, please cover the set or put cushions indoor during rainy or snowy days.
- ▶5. Please DO NOT discard packing boxes before all parts are assembled successfully.
- ▶6. DO NOT touch the glass (if have) with bare hands if the glass is broken during shipping.

Thank you!

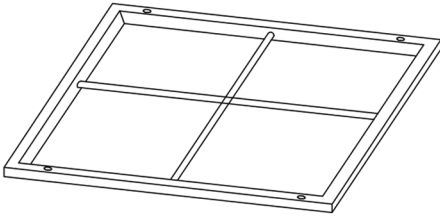
OPEMTDO-----Opemtdo

PACKING LIST

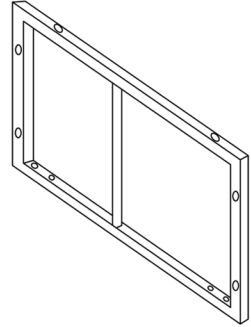
BOX NO.	PART NAME	LABEL NO.	Q'TY
BOX # 1/3	Armrest (Left Corner Chair)	A	1
	Backrest (Left Corner Chair)	B	1
	Seat Panel (Left Corner Chair)	C	1
	Side Panel (All Chair)	D	4
	Backrest (Middle Chair)	H	1
	Seat Panel (Middle Chair)	I	1
	Seat & Backrest Cushions		5
	L-shaped & I-shaped Feet		8
	Hardwares		1
BOX # 2/3	Armrest (Right Corner Chair)	E	1
	Backrest (Right Corner Chair)	F	1
	Seat Panel (Right Corner Chair)	G	1
	Side Panel (All Chair)	D	4
	Backrest (Middle Chair)	H	1
	Seat Panel (Middle Chair)	I	1
	L-shaped & I-shaped Feet		8
	Seat & Backrest Cushions		5
BOX # 3/3	Backrest (Middle Chair)	H	2
	Seat Panel (Middle Chair)	I	2
	Side Panel (Middle Chair)	D	2
	Coffee Table Top	L	1
	Coffee Table Feet	J	2
	Side Panel (Coffee Table)	K	2
	Tempered Glass Top		1
	Seat & Backrest Cushion		4
	Throw Pillows		2
	L-shaped & I-shaped Feet		12
	Plastic Clips		10
Assembly Instruction		1	

OPEMTDO----Opemtdo

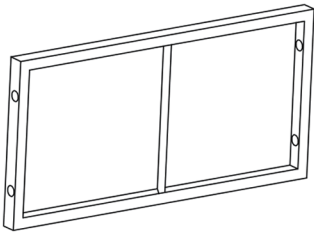
Parts List of Coffee Table



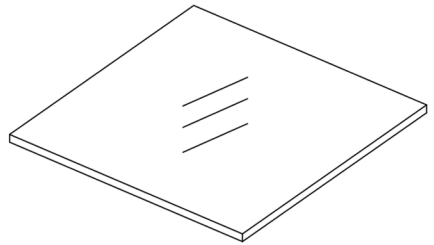
L 1pc
(Coffee Table Top)



J 2pcs
(Side Leg w/Feet)



K 2pcs
(Side Panel)



1pc
(Glass)



a
Ø6
20pcs



b
M6*35mm
12pcs



c
M6*40mm
8pcs



d
M6
8pcs



f
Straight
4pcs



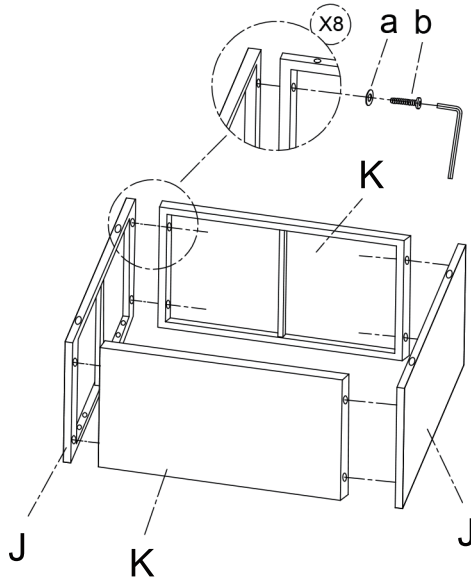
Allen Key
1pc



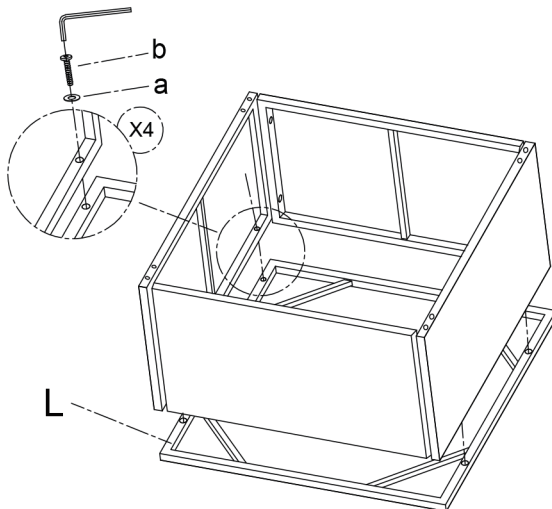
Ratchet wrench
1pc

Assembly Step

Step 1 ◀

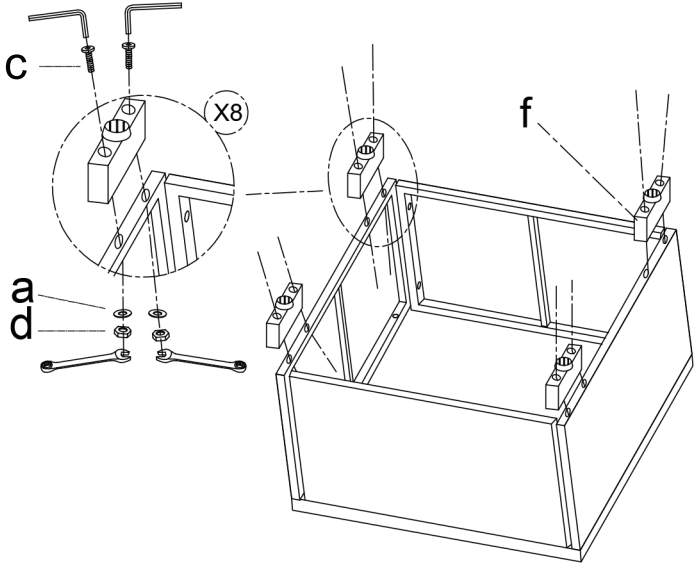


Step 2 ◀

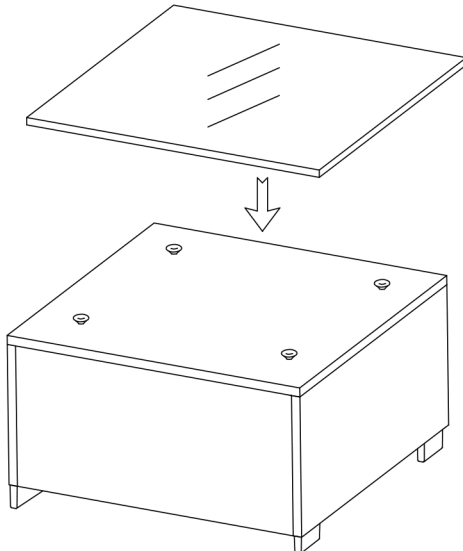


Assembly Step

Step 3 ◀

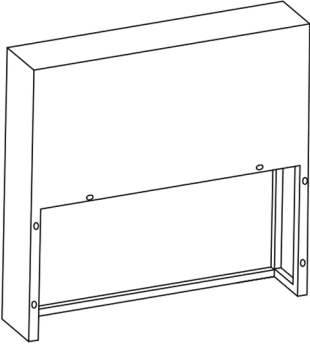


Step 4 ◀

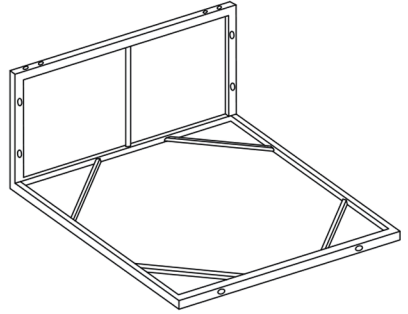


OPEMTDO----Opemtdo

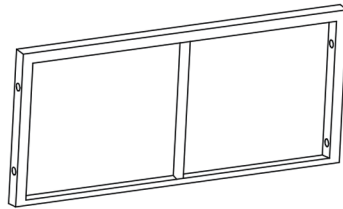
Parts List of Middle Chair



H 1pc
(Backrest)



I 1pc
(Seat Panel)



D 2pcs
(Side Panel)



a
Ø6
24pcs



b
M6*35mm
4pcs



g
M6*40mm
8pcs



c
M6*50mm
6pcs



d
M6
14pcs



e
Corner
2pcs



f
Straight
2pcs



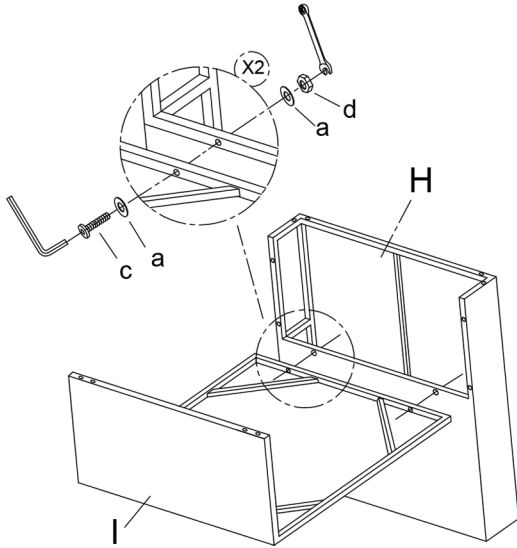
Allen Key
1pc



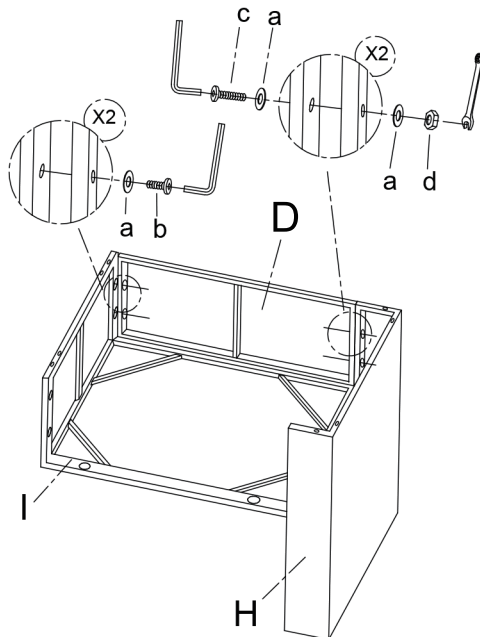
Spanner
1pc

Assembly Step

Step 1 ◀

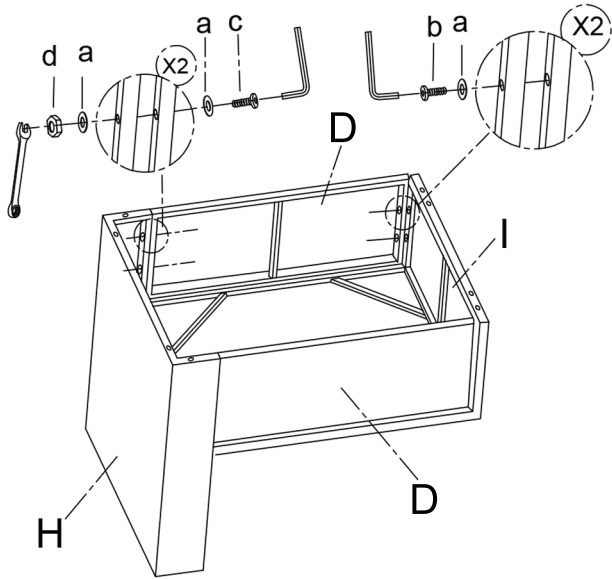


Step 2 ◀

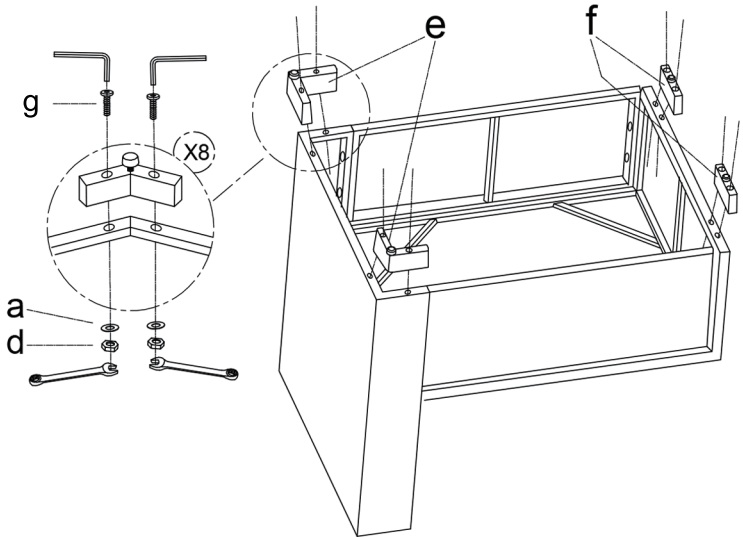


Assembly Step

Step 3 ◀

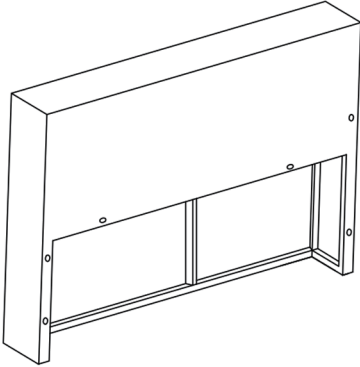


Step 4 ◀

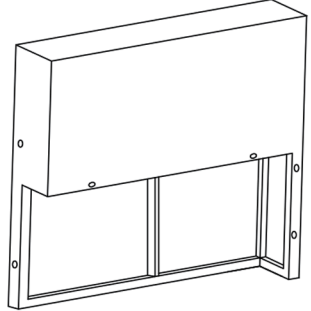


OPEMTDO----Opemtdo

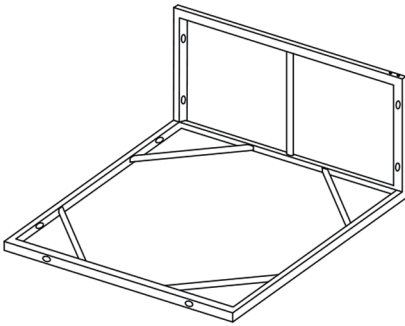
Parts List of Right Corner Chair



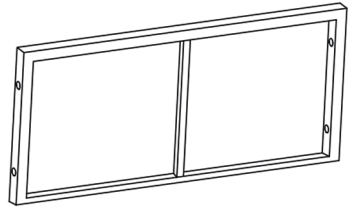
E 1pc
(Armrest)



F 1pc
(Backrest)



G 1pc
(Seat Panel)



D 1pc
(Side Panel)



a
Ø6
30pcs



b
M6*35mm
2pcs



g
M6*40mm
8pcs



c
M6*50mm
10pcs



d
M6
18pcs



e
Corner
3pcs



f
Straight
1pc



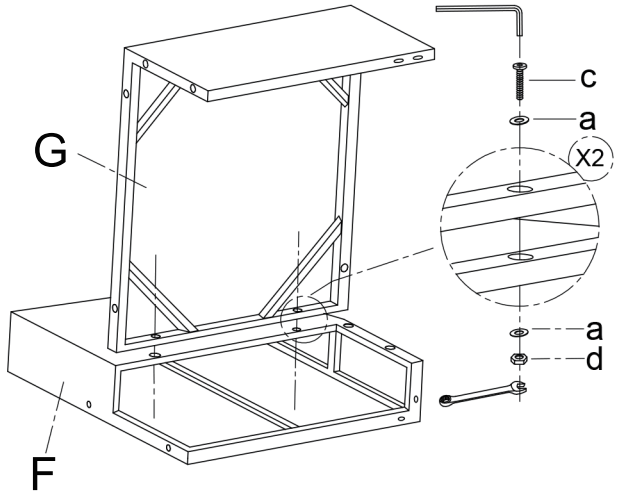
Allen Key
1pc



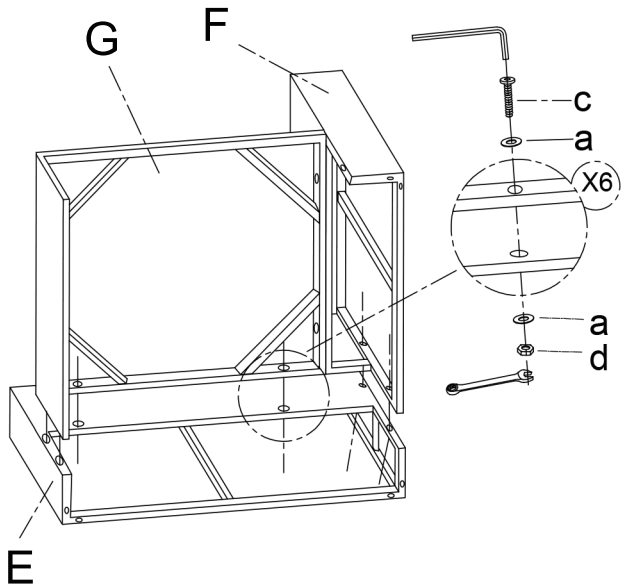
Spanner
1pc

Assembly Step

Step 1 ◀

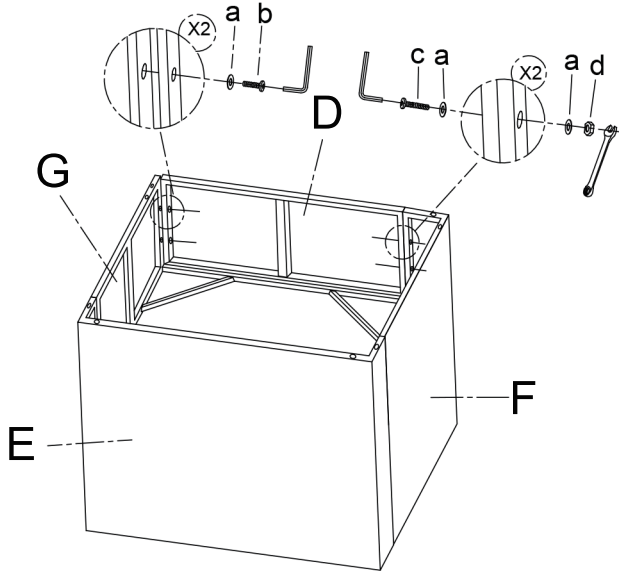


Step 2 ◀

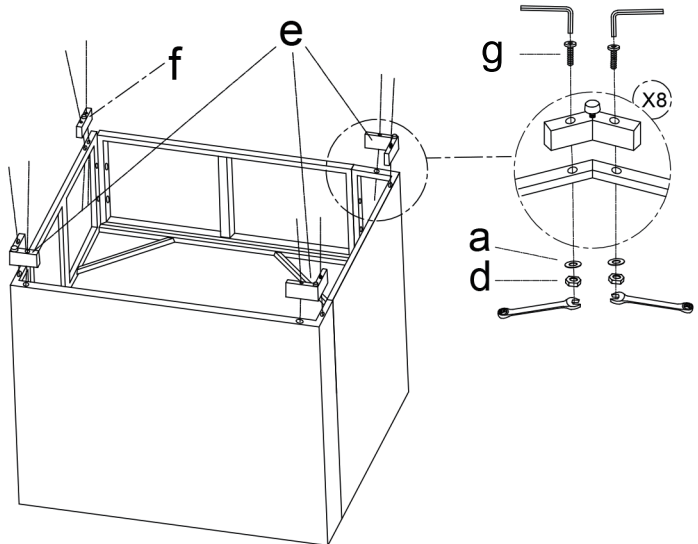


Assembly Step

Step 3 ◀

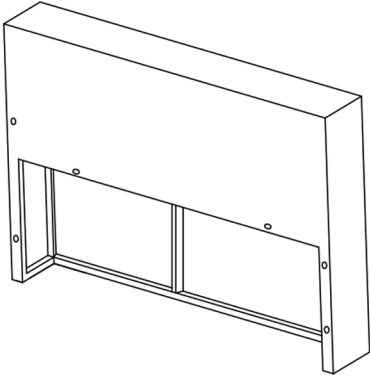


Step 4 ◀

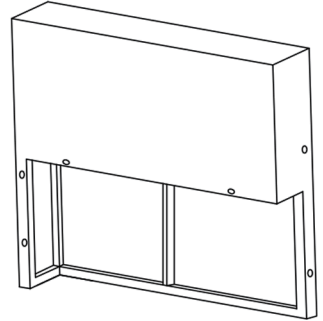


OPEMTDO----Opemtdo

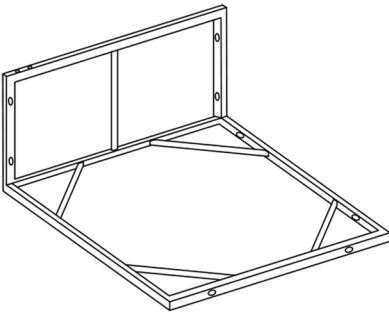
Parts List of Left Corner Chair



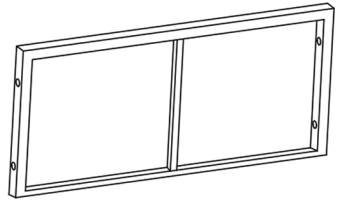
A 1pc
(Armrest)



B 1pc
(Backrest)



C 1pc
(Seat Panel)



D 1pc
(Side Panel)



a
Ø6
30pcs



b
M6*35mm
2pcs



g
M6*40mm
8pcs



c
M6*50mm
10pcs



d
M6
18pcs



e
Corner
3pcs



f
Straight
1pc



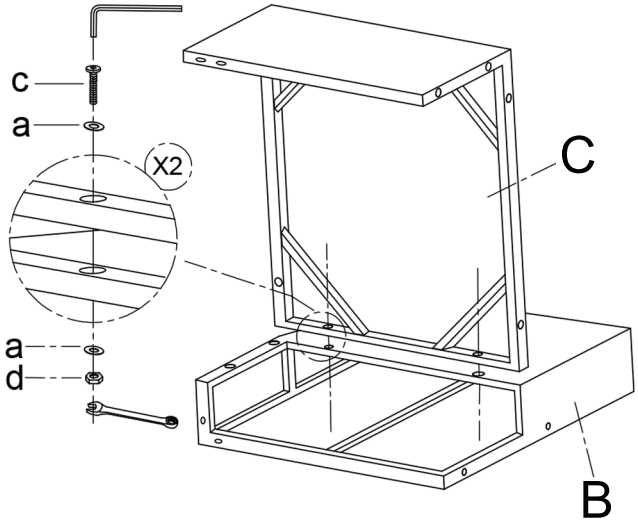
Allen Key
1pc



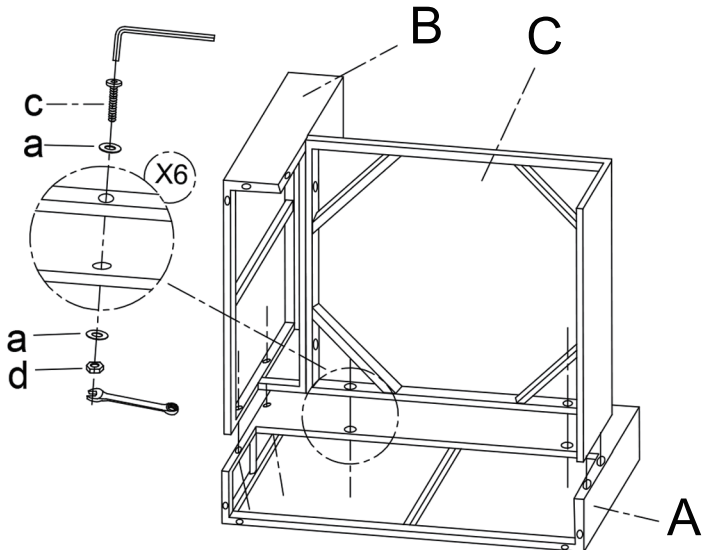
Spanner
1pc

Assembly Step

Step 1 ◀

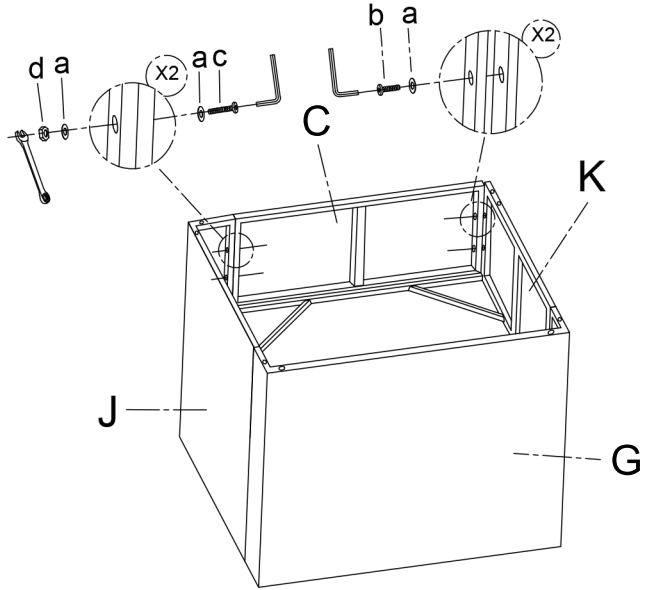


Step 2 ◀

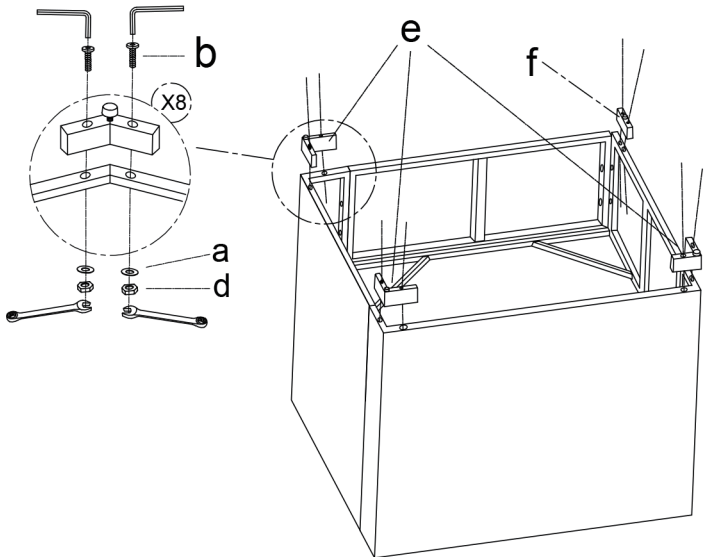


Assembly Step

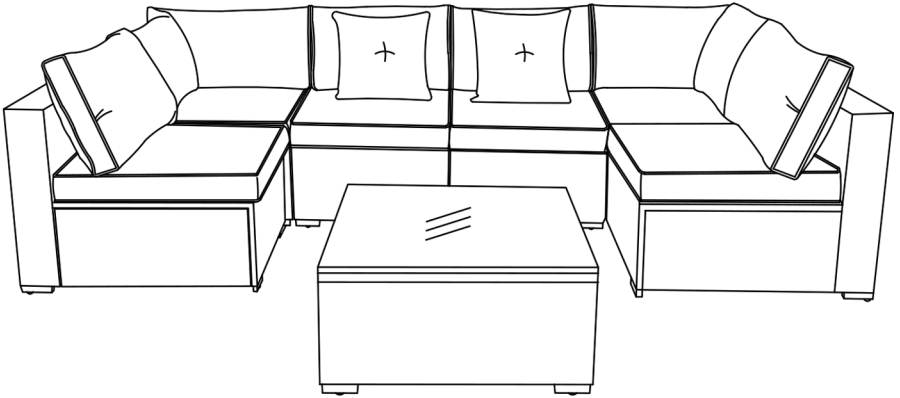
Step 3 ◀



Step 4 ◀



OPEMTDO-----Opemtdo



✉ : opemtdo@163.com

