



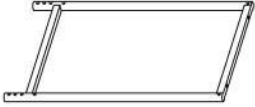
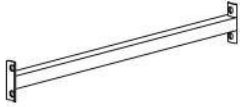

**BAR GAGNE-PLACE 24"X 36" MARBRE CAPPUCINO /
MÉTAL CAFÉ**

**CAPPUCINO MARBLE / COFFEE METAL 24"X 36"
SPACESAVER BAR**

**INSTRUCTIONS D'ASSEMBLAGE
ASSEMBLY INSTRUCTIONS**



IDENTIFICATION DES PIÈCES
PARTS IDENTIFICATION

1		DESSUS DE TABLE TABLE TOP	1MC/PC
2		SOUTIEN DE PATTE LEG SUPPORT	2MCX/PCS
3		PATTE LEG	2MCX/PCS
4		DOSSIER BACK	2MCX/PCS
5		PATTE DE CHAISE GAUCHE LEFT CHAIR LEG	4MCX/PCS

IDENTIFICATION DES PIÈCES DE MONTAGE
HARDWARE IDENTIFICATION

A		Ø 1/4" X 12MM	16MCX/PCS
B		Ø 1/4" X 40MM	4MCX/PCS
C		Ø 1/4" X 30MM	4MCX/PCS
D		Ø 25	4MCX/PCS
E		CLÉ HEXAGONALE (4MM) ALLEN KEY (4MM)	1MC/PC

