
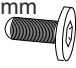
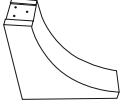

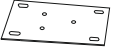


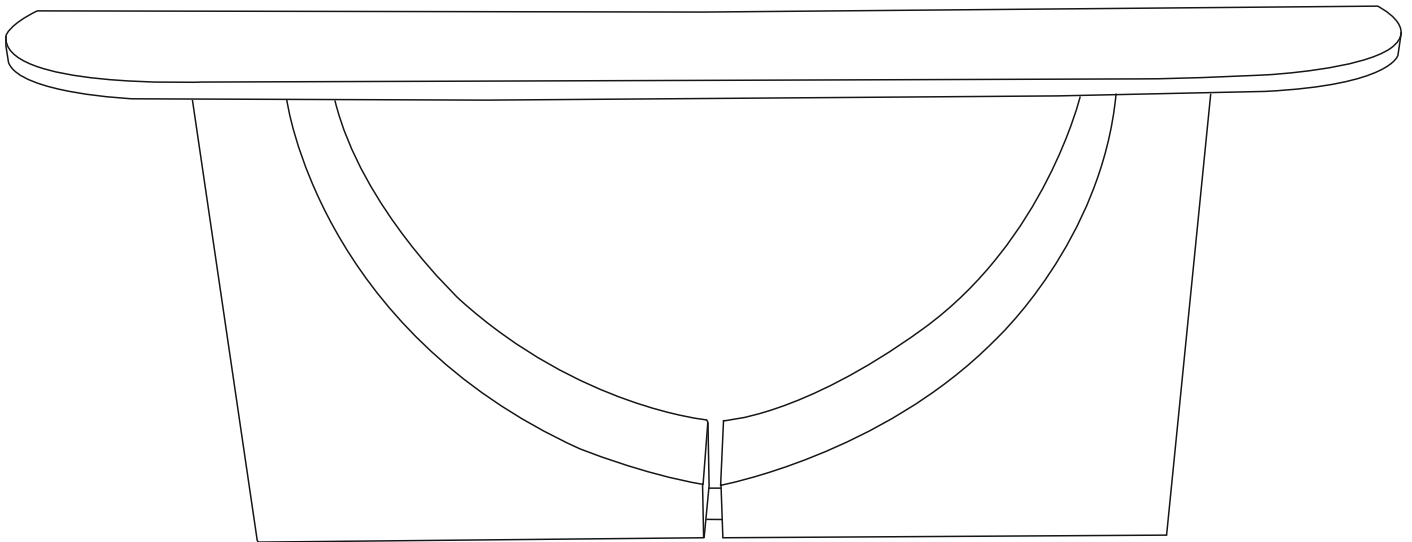


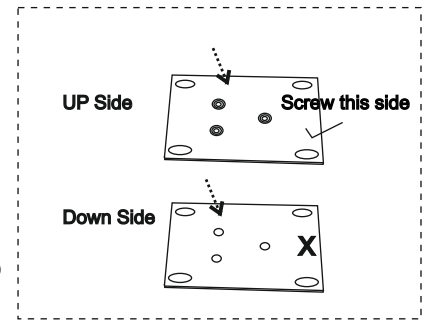
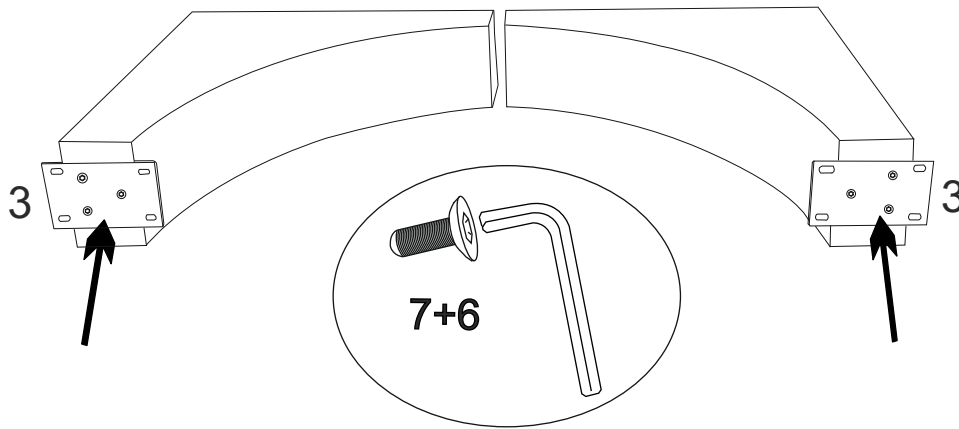
# ASSEMBLY INSTRUCTION FOR

## Maly Console Table

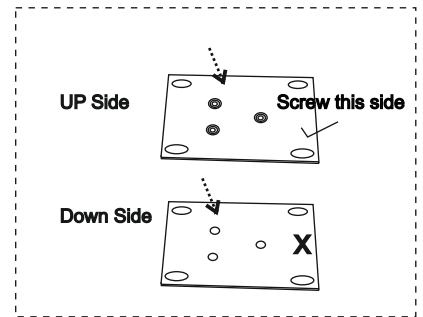
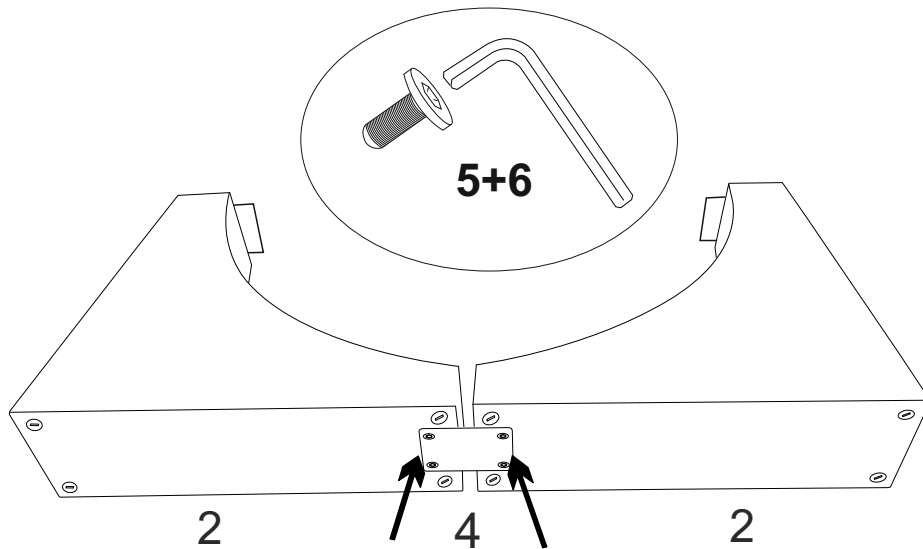
No.	Hardware/Component List		Quantity	No.	Hardware/Component List		Quantity
1		Top	01	5	 8x20mm	Allen Bolt	18
2		Wooden Base	02	6	 5mm	Allen Key	01
3		Iron Plate	02	7	 8x20mm	Washer	08
4		Iron Plate	01				



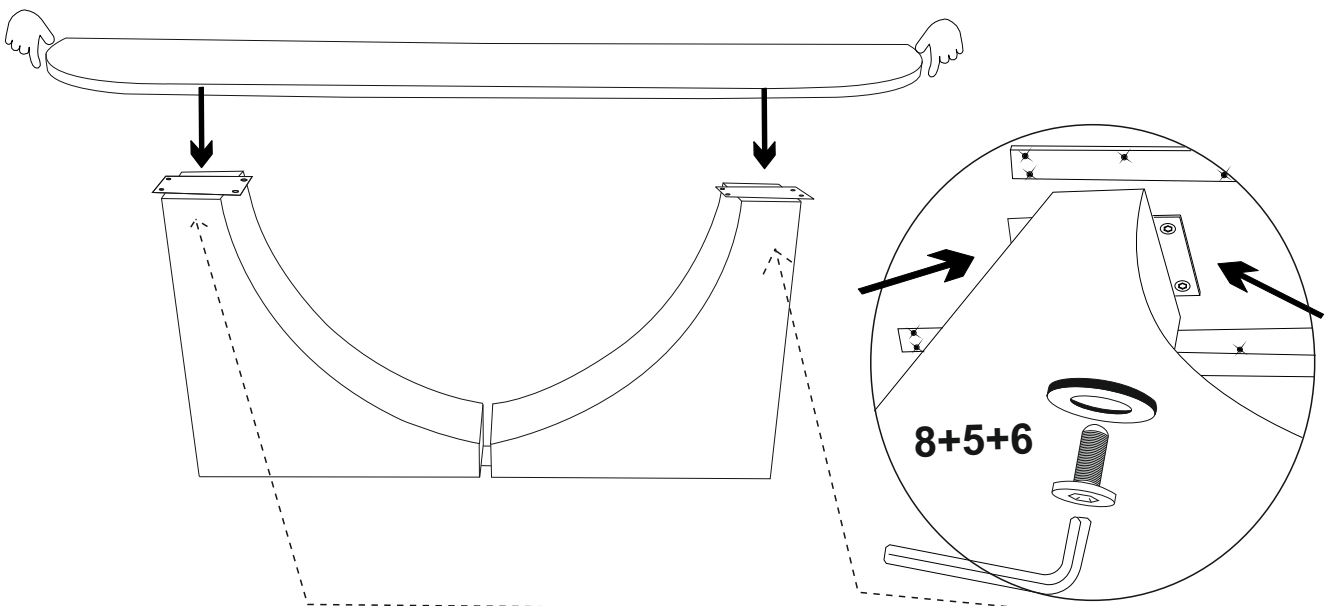
Step 1



Step 2

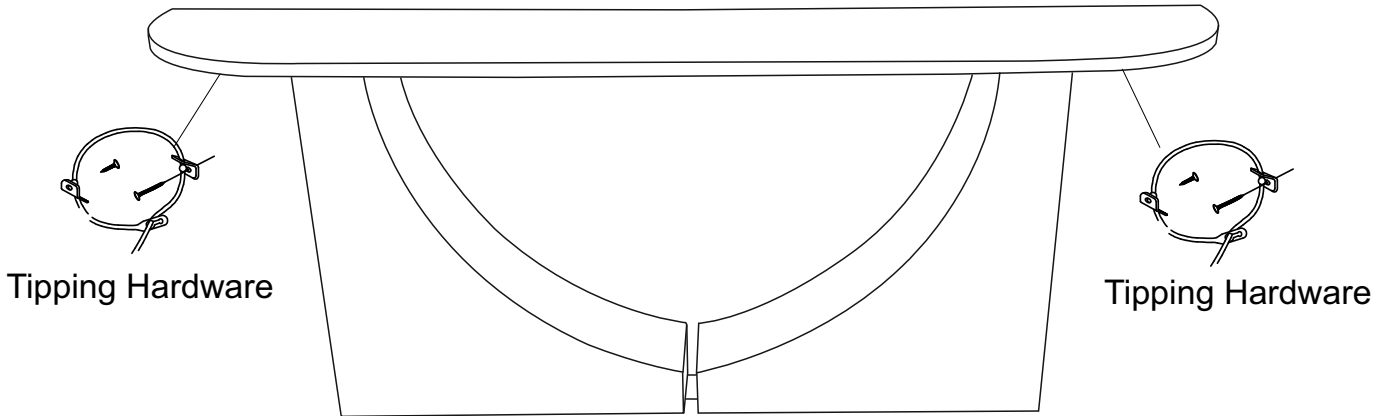


Step 3



#### Step 4

★ **REMARK:** There is a tip restraint kit provided which is to be installed at the bottom of the top, please read the direction thoroughly and install immediately.



#### Step 5

#### Adjusting Floor Levelers

Your furniture has been expertly crafted and pre-adjusted by professionals. However, slight shifts can occur during transportation. If you notice that the drawers are not perfectly aligned or the furniture wobbles, a quick adjustment can help ensure stability and a seamless look.

**Check for Stability** – Place the furniture in its final position on a level surface. If it wobbles or doesn't sit evenly, the floor levelers need adjusting.

**Locate the Levelers** – These are small adjustable feet found at the bottom corners of your furniture.

**Adjust as Needed** – Using your hand or a wrench, turn the levelers clockwise to raise or counterclockwise to lower the furniture. Make small adjustments and check stability after each turn.

