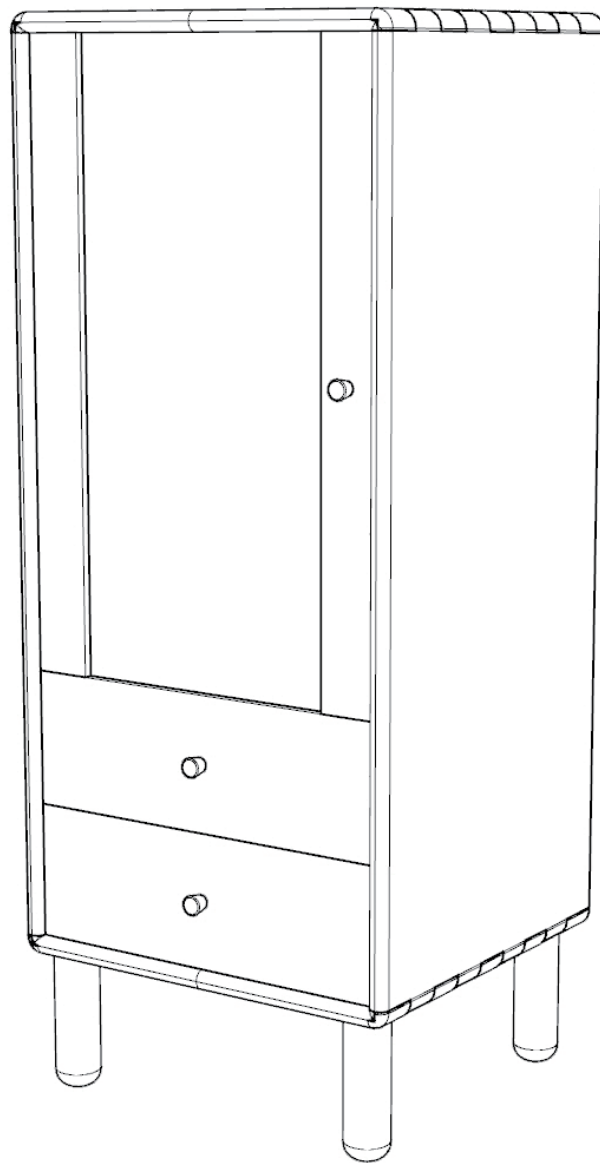


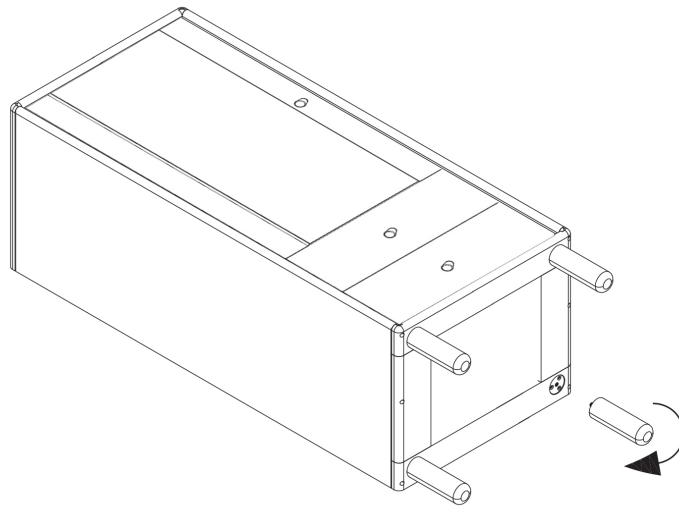
Double drawer sideboard

H143M01

Assembly Instructions



These assembly instructions are applicable to all double drawer sideboards regardless of how they look. As shown in the diagram below, lay the sideboard on a flat, clean and non-abrasive surface and attach the legs to the bottom of the sideboard.



Tighten each leg by turn it clockwise.

