

DRESSING TABLE

Assembly Instructions - Please keep for future reference

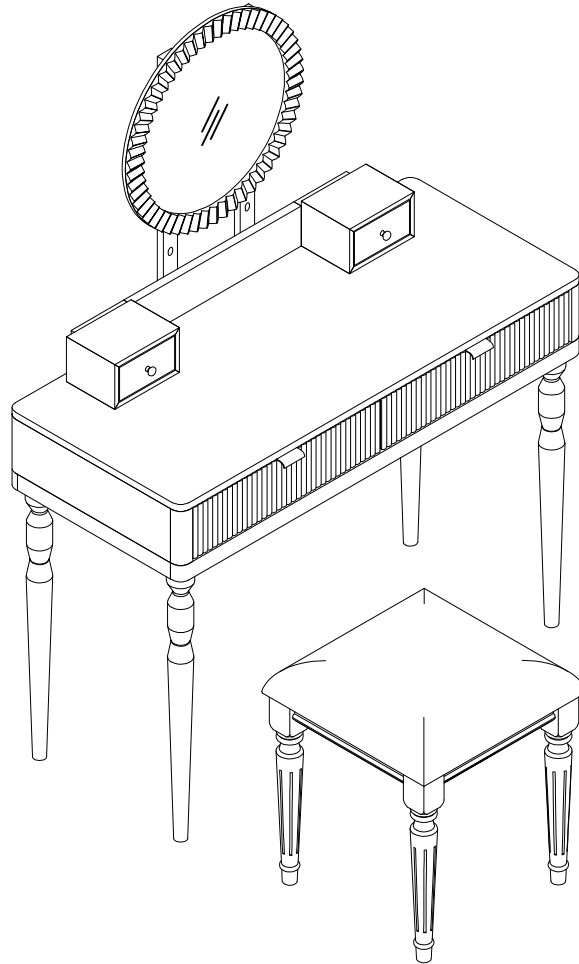


Table Dimensions

Width-39.3 inch
Depth-17.75 inch
Height-29.75 inch

Chair Dimensions

Width-16.5 inch
Depth-11.1 inch
Height-16.75 inch

Mirror Dimensions

Width-17 inch
Depth-1.75 inch
Height-17 inch

Important - Please read these instructions fully before starting assembly



Safety and Care Advice

Important – Please read these instructions fully before starting assembly

- Check you have all the components and tools listed on the following pages.
- Remove all fittings from the plastic bags and separate them into their groups.
- Keep children and animals away from the work area, small parts could choke if swallowed.
- Make sure you have enough space to layout the parts before starting.

- During assembly do not stand or put weight on the product, this could cause damage.
- Assemble the item as close to its final position (in the same room) as possible.
- Assemble on a soft level surface to avoid damaging the unit or your floor.
- Parts of the assembly will be easier with 2 people.



- To reduce the likelihood of damaging your product please ensure that your power drill is set on a low torque setting.

Care and maintenance

- Only clean using a damp cloth and mild detergent, do not use bleach or abrasive cleaners.
- From time to time check that there are no loose screws on this unit.
- This product should not be discarded with household waste. Take to your local authority waste disposal centre.

Handy Hints

- Assemble all parts and bolts loosely during assembly, only once the product is complete should you fully tighten the bolts
- Regularly check and ensure that all bolts and fittings are tightened properly.

WARNING In order to help prevent overturning – please follow these instructions

To help prevent product toppling over please follow the below steps:-


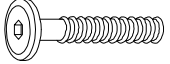





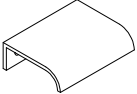

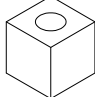
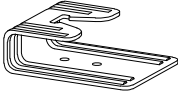

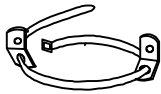
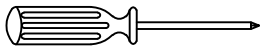
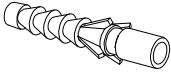

Use the anti tip strap or wall fixing method provided (if applicable)
Do not allow children to climb or hang on the furniture
Do not open more than one drawer at a time
Do not place heavy items in the top drawers
Do not place heavy items on top of the furniture, unless the furniture has been designed for this purpose

Please note that only the anti tip strap is provided.
You will need to provide wall plugs and screws applicable for your wall type

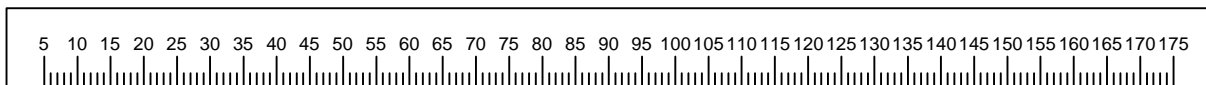
Components - Fittings

Please check you have all the panels listed below

Note: The quantity below are the correct amount to complete the assembly. In some cases more fittings maybe supplied than are required.

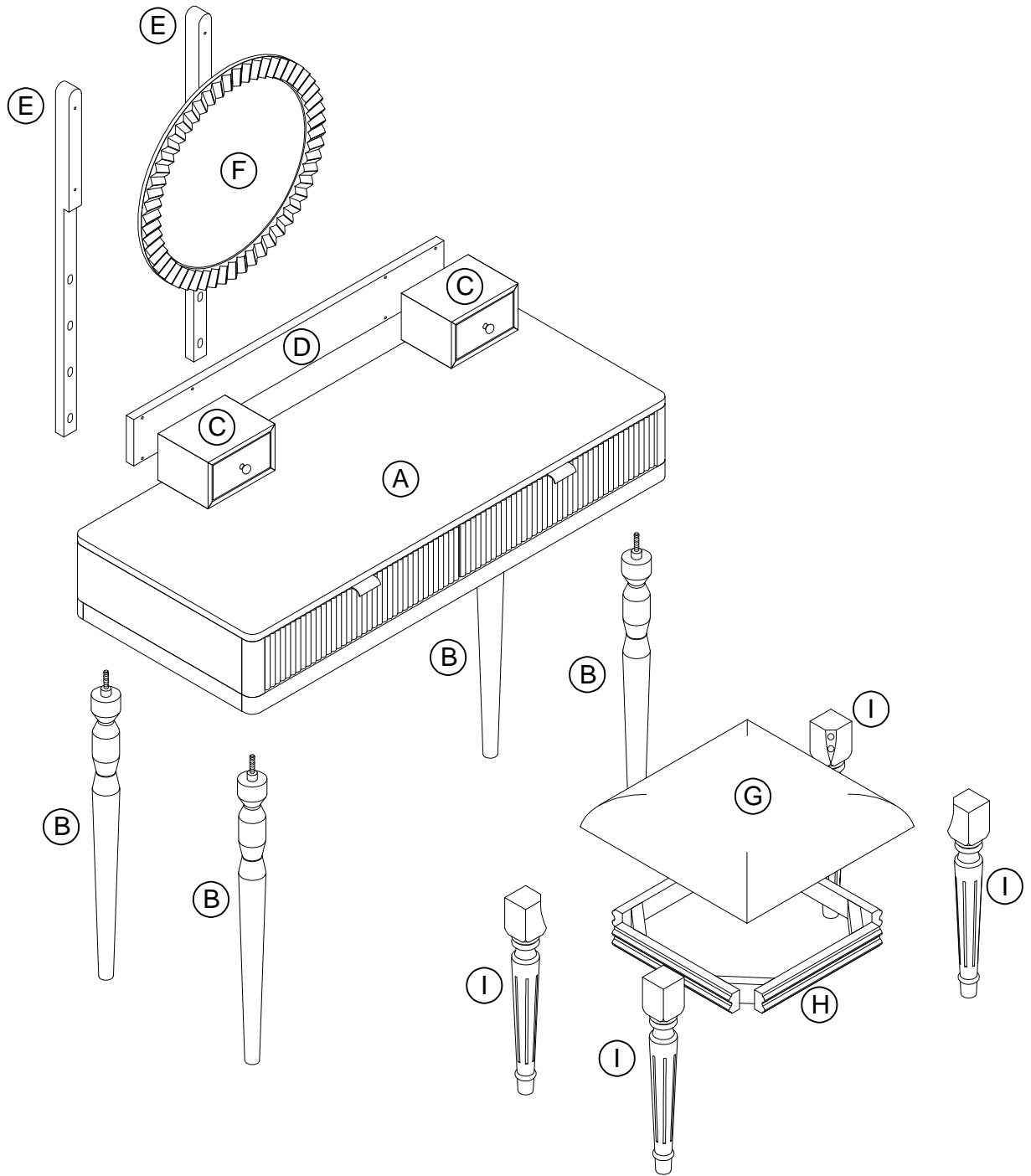
<p>①</p>  <p>Ø5/16" x 50mm Bolt x 8</p>	<p>②</p>  <p>Ø5/16" x 30mm Bolt x 4</p>
<p>③</p>  <p>Ø5/16" Spring Washer x 12</p>	<p>④</p>  <p>Ø5/16" x 19mm Flat Washer x 12</p>
<p>⑤</p>  <p>4mm Allen Wrench x 2</p>	<p>⑥</p>  <p>#4 x 25mm Screw x 22</p>
<p>⑦</p>  <p>#4 x 15mm Screw x 4</p>	<p>⑧</p>  <p>Handle (Metal) x 2</p>
<p>⑨</p>  <p>Metal Pads x 2</p>	<p>⑩</p>  <p>Wood Beetle x 1</p>
<p>⑪</p>  <p>Plastic Mirror Hanging Pads x 1</p>	<p>⑫</p>  <p>#4 x 20mm Screw x 2</p>
<p>⑬</p>  <p>Anti-Tip Restraint x 2 set</p>	<p>⑭</p>  <p>Screw driver (not provided)</p>
<p>15.1</p>  <p>Ecclesiastical Sets x 2</p>	<p>15.2</p>  <p>Ecclesiastical Sets x 2</p>

Ruler - Use this ruler to help correctly identify the screws



The screws length is measured from the head to the point (35mm screw shown).

Assembly Instructions



Assembly Instructions

(A)

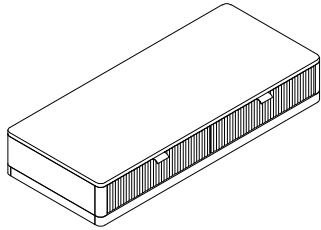


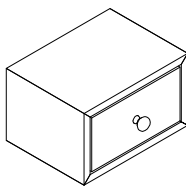
Table Top - 1pc

(B)



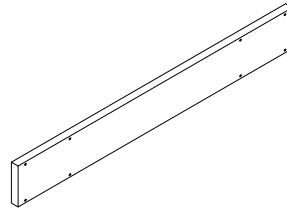
Table Leg - 4pcs

(C)



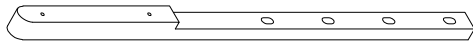
Mini Drawer - 2pcs

(D)



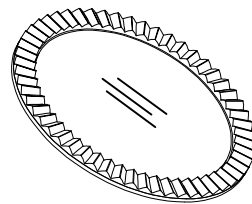
Mounting Plate - 1pc

(E)



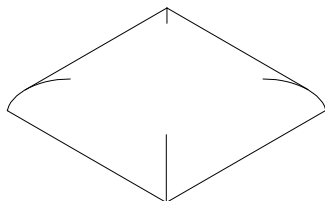
Support Slat - 2pcs

(F)



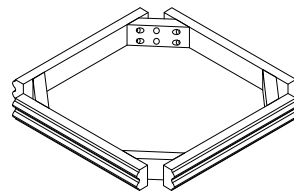
Mirror - 1pc

(G)



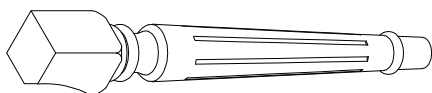
Seat With Cushion - 1pc

(H)



Seat Frame - 1pc

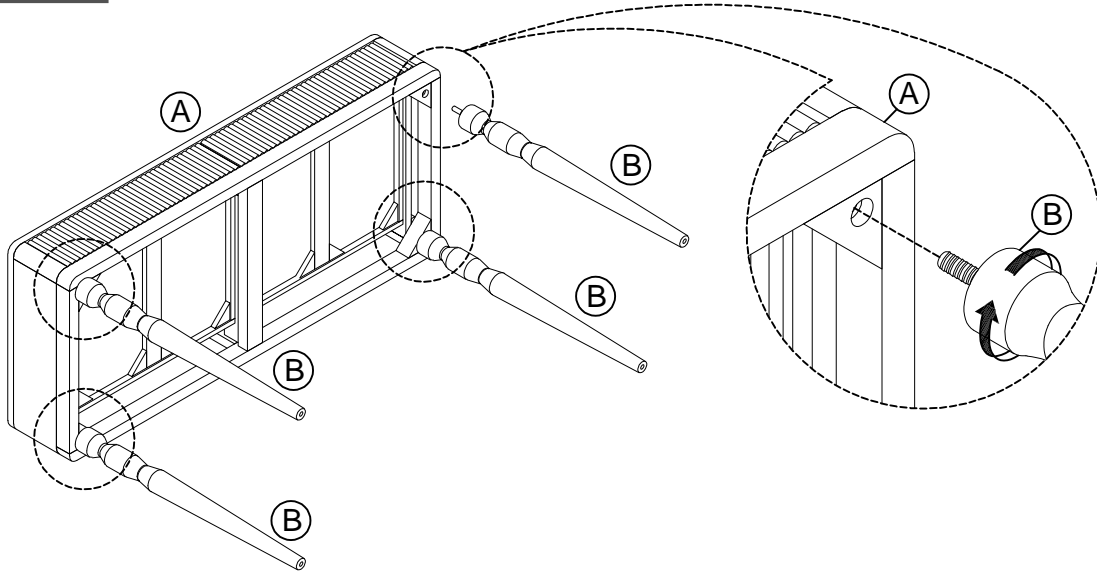
(I)



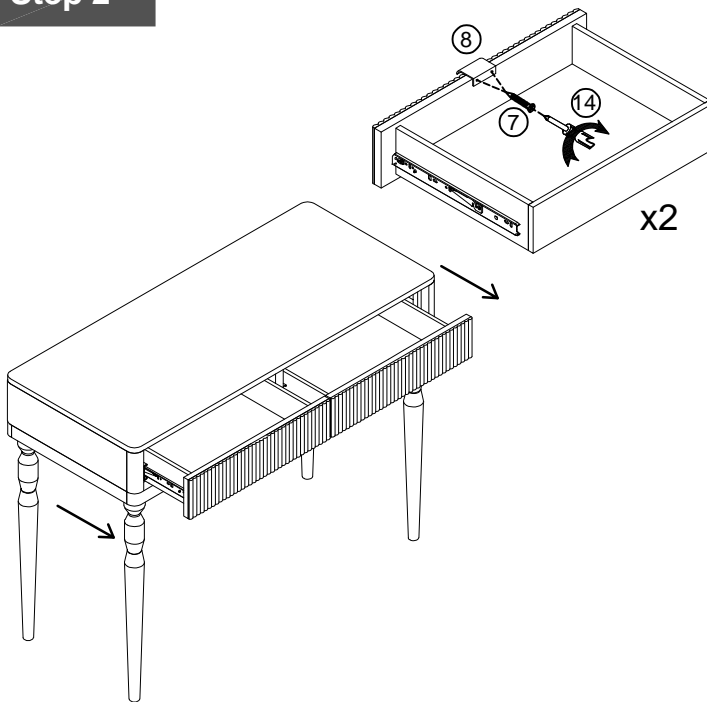
Chair Leg - 4pcs

Assembly Instructions

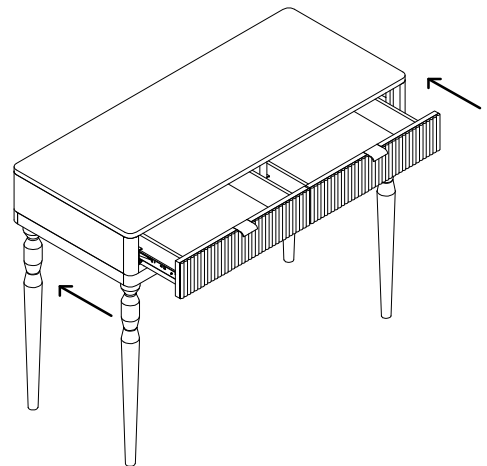
Step 1



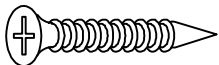
Step 2



Step 2.1

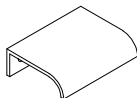


⑦



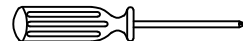
#4x15mm Screw x 4

⑧



Handle (Metal) x 2

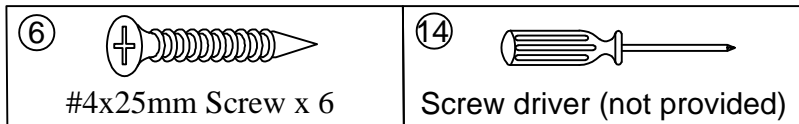
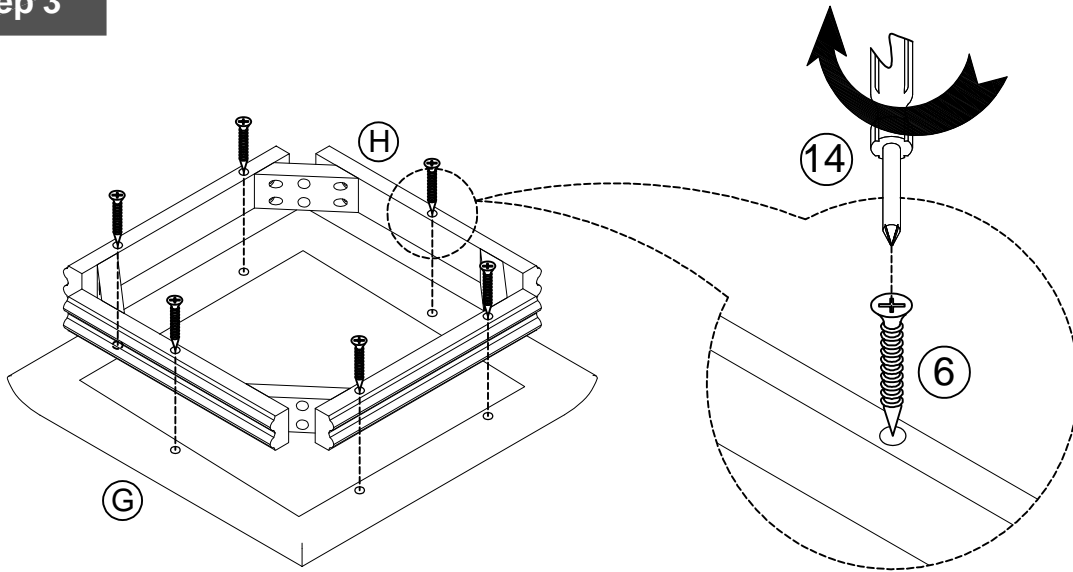
⑭



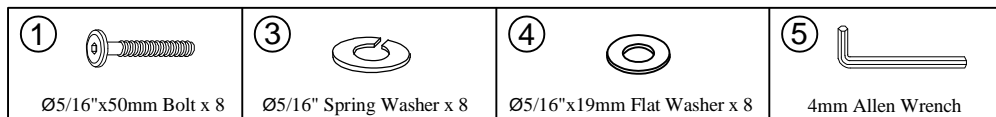
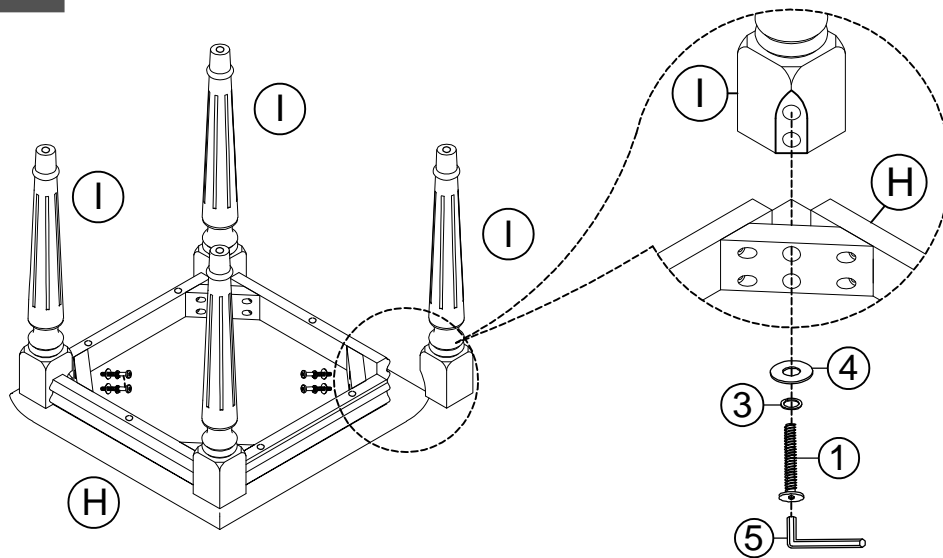
Screw driver (not provided)

Assembly Instructions

Step 3

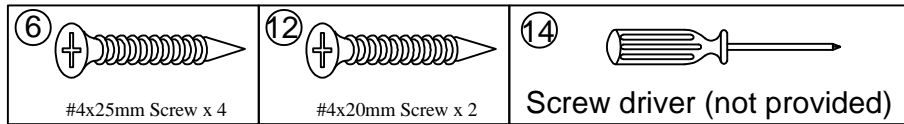
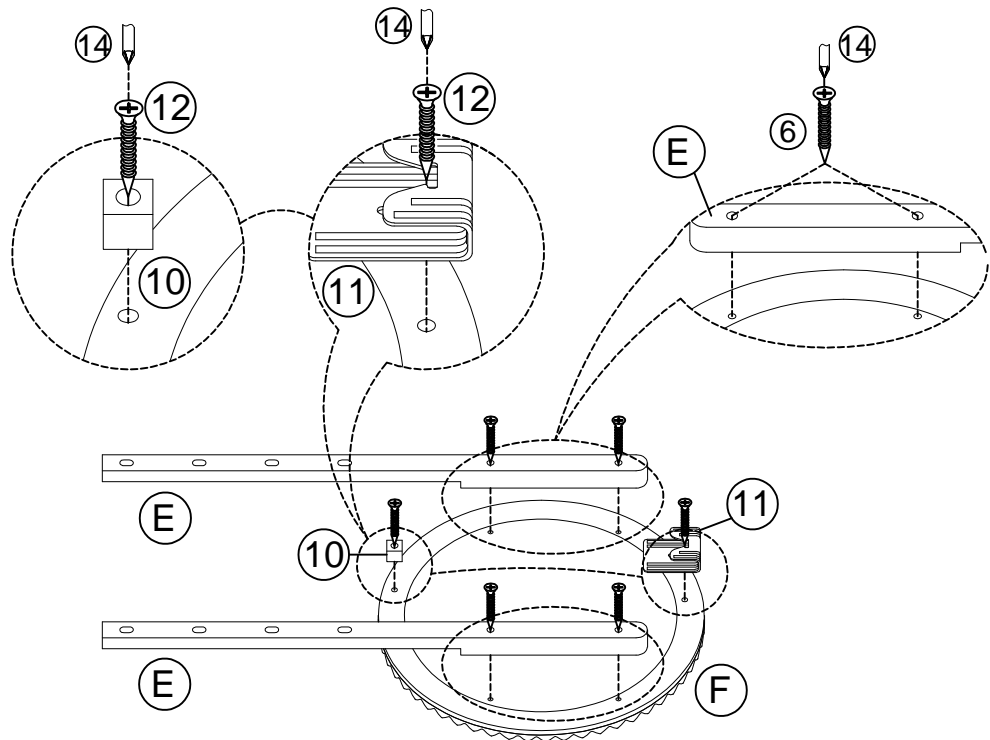


Step 4

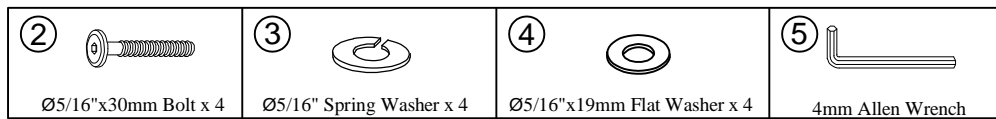
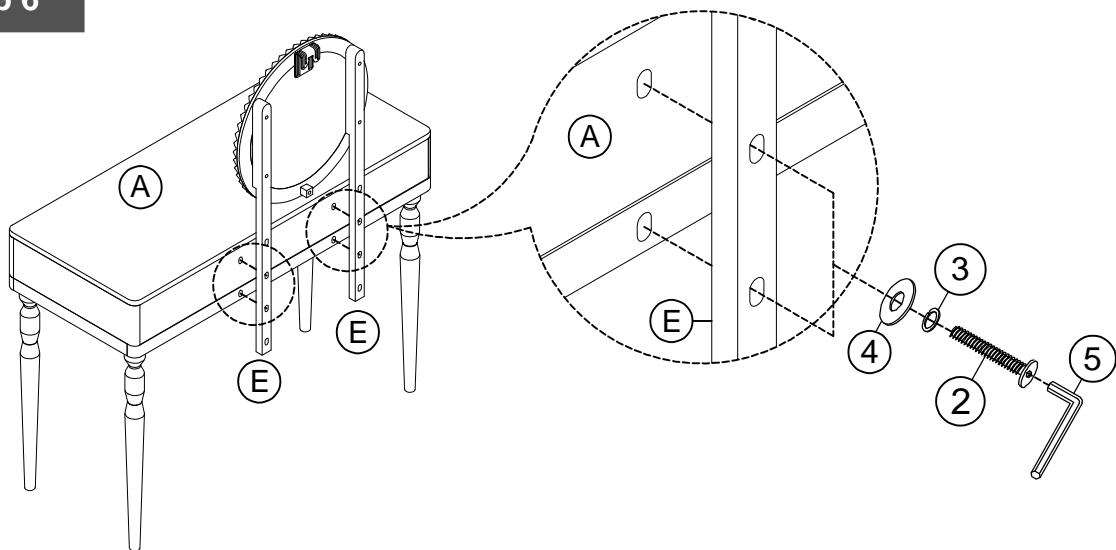


Assembly Instructions

Step 5

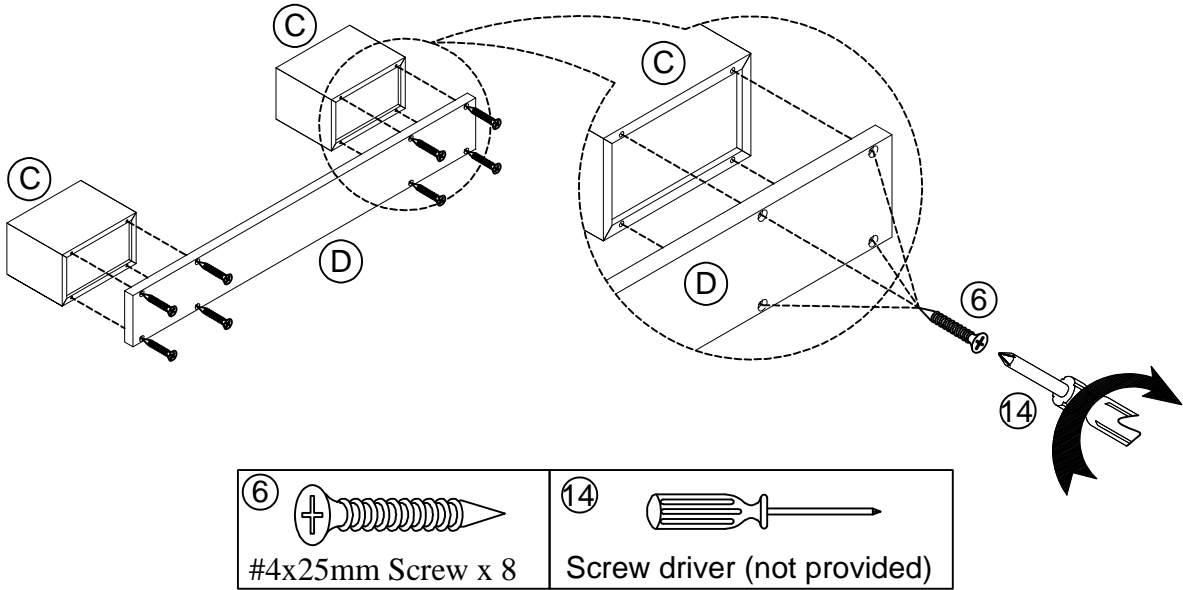


Step 6

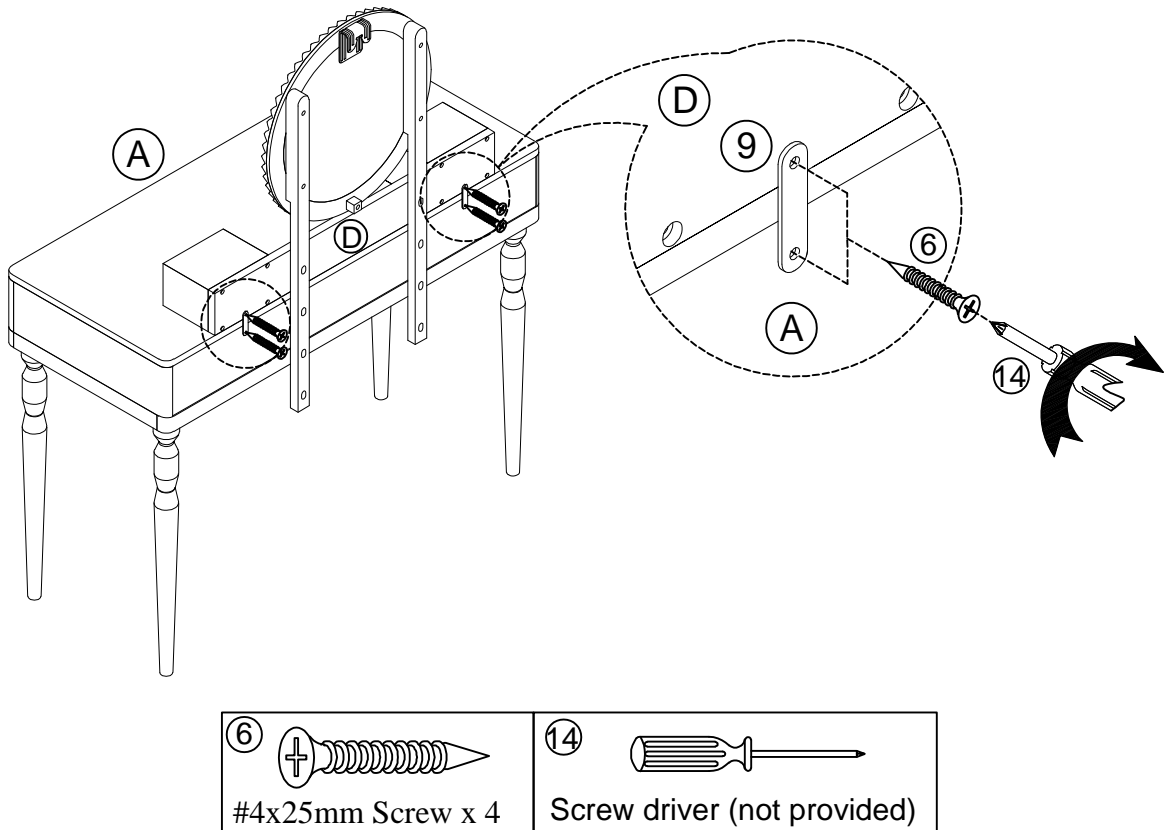


Assembly Instructions

Step 7

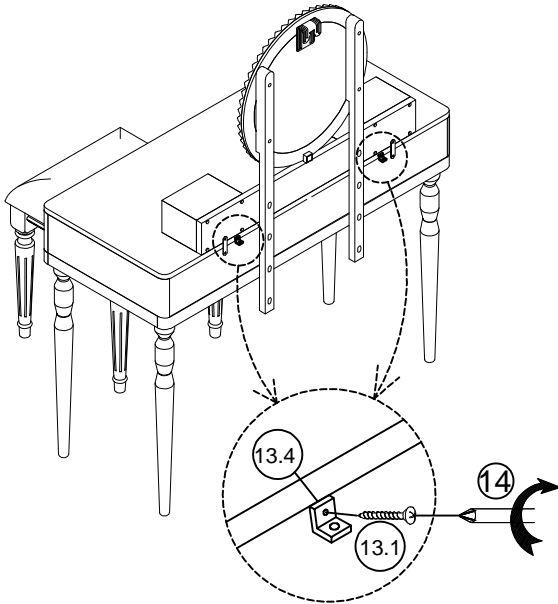


Step 8

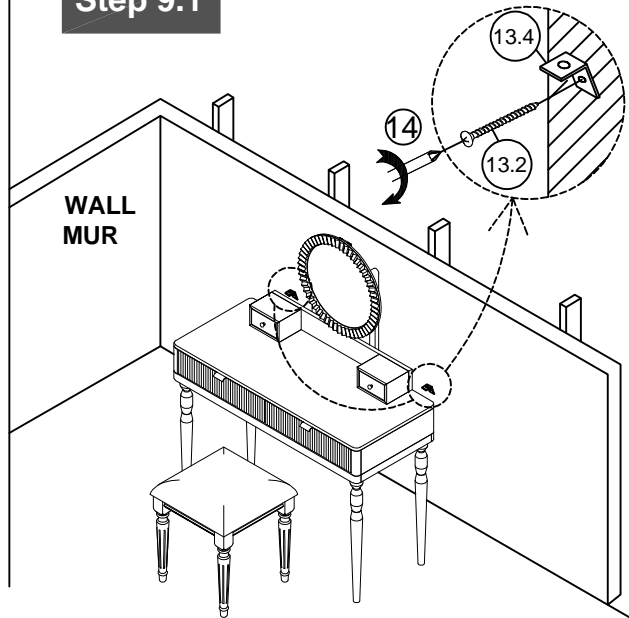


Assembly Instructions


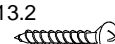


Step 9



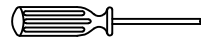
Step 9.1



Anti-Tip Restraint x 2 set

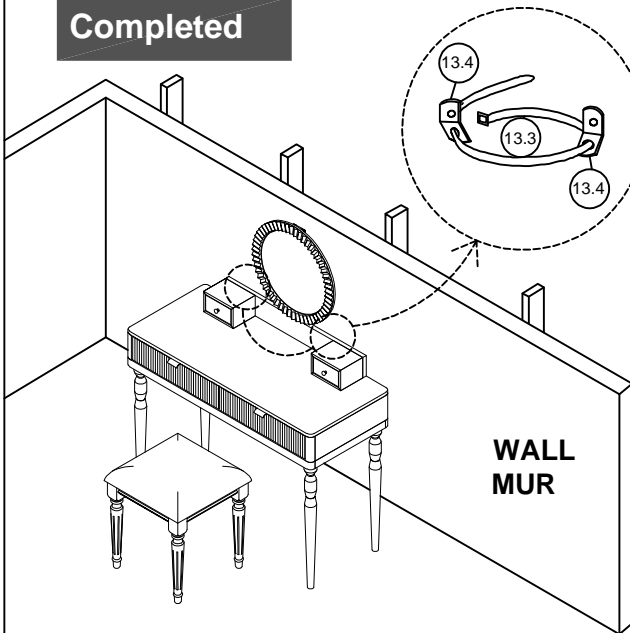
13.1  16mm screw x1	13.2  50mm screw x1	13.3  Tie Strap x1	13.4  L Bracket x2
--	--	---	---

14







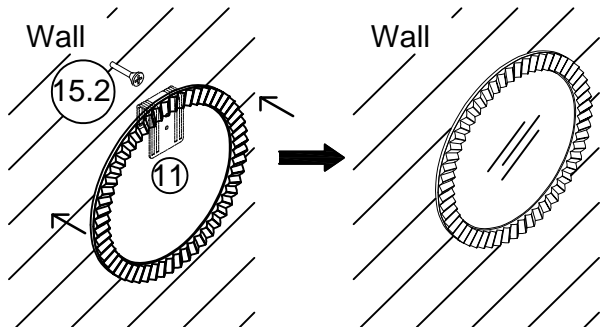
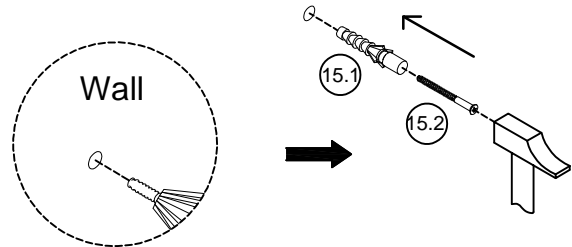
Screw driver (not provided)

Completed

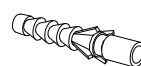


Anti-Tip Restraint x 1 set

13.1  16mm screw x1	13.2  50mm screw x1	13.3  Tie Strap x1	13.4  L Bracket x2
--	--	---	---



15.1



15.2



Ecclesiastical Sets x1