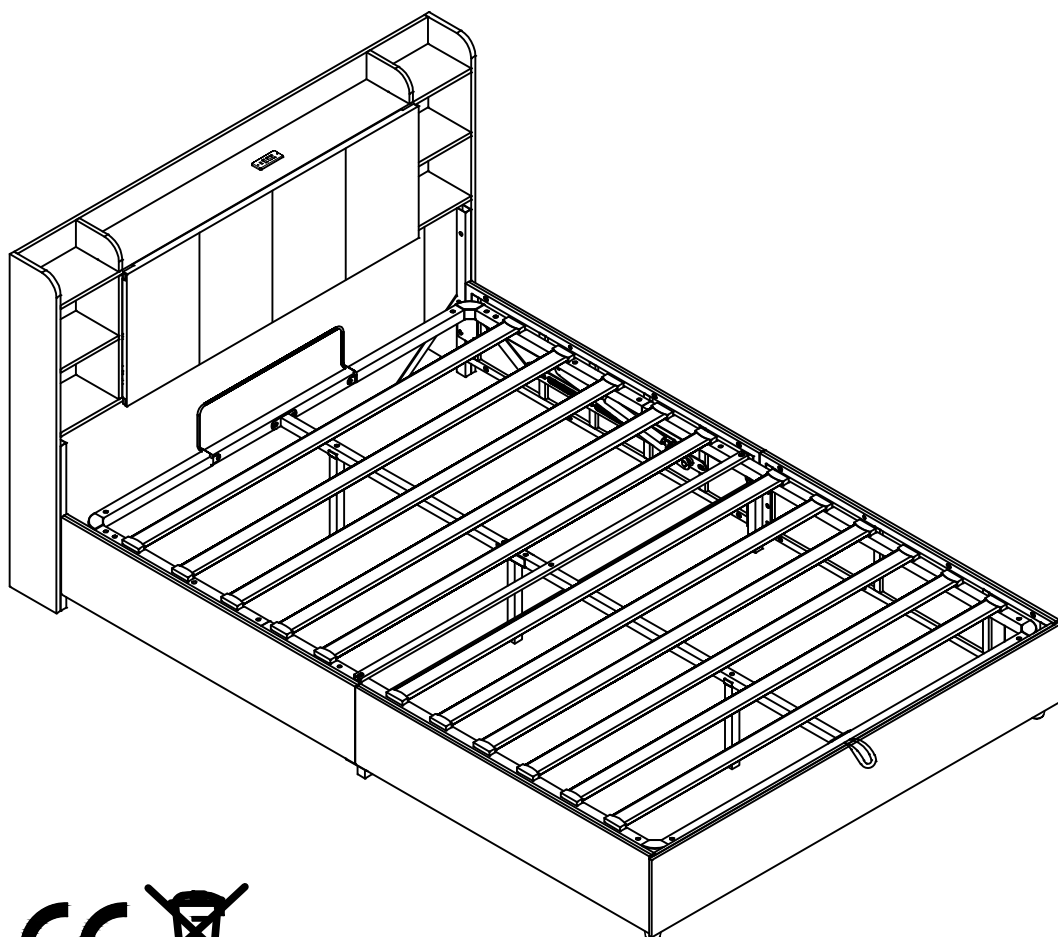


# Montageanleitung | Instructions de montage Assembly Instructions | Instrucciones de montaje

N623P304923/N623P304924



- GB** This set comes in 2 boxes. If you do not receive a full set of 2 boxes, please contact our customer service.
- DE** Dieses Set wird in 2 Schachteln geliefert. Wenn Sie nicht ein komplettes Set von 2 Boxen erhalten, kontaktieren Sie bitte unseren Kundenservice.
- FR** Ce set est livré en 2 boîtes. Si vous ne recevez pas un jeu complet de 2 boîtes, veuillez contacter notre service clientèle.

## English

### IMPORTANT FOR GAS LIFT BEDS&MAINTAINANCE

- Please place the mattress on top of the bed frame.
- Please do not pull on the strap handles.
- Please press heavily to release the compressed gas.
- Periodically check all screw & fixings to ensure they are secure.
- When moving your product, carefully lift into place.
- Wipe clean with a slightly damp cloth- please do not use abrasive chemicals or bleach.
- Do NOT allow children to operate the lift mechanism.
- Do NOT allow children near the lift base when operating the mechanism.
- Do NOT stand inside the bed or the internal storage base.
- Do NOT overload the internal storage base.
- DO NOT jump on the product or any of its parts.

## Deutsch

### WICHTIG FÜR GASLIFT-BETTEN&WARTUNG

- Bitte legen Sie die Matratze oben auf den Bettrahmen.
- Bitte ziehen Sie nicht an den Gurtgriffen.
- Bitte drücken Sie kräftig, um das komprimierte Gas freizusetzen.
- Überprüfen Sie regelmäßig alle Schrauben und Befestigungen, um sicherzustellen, dass sie sicher sind.
- Wenn Sie Ihr Produkt bewegen, heben Sie es vorsichtig an seinen Platz.
- Mit einem leicht feuchten Tuch abwischen - bitte keine scheuernden Chemikalien oder Bleichmittel verwenden.
- Erlauben Sie Kindern NICHT, den Hebemechanismus zu bedienen.
- Lassen Sie Kinder NICHT in die Nähe des Liftsockels, wenn Sie den Mechanismus bedienen.
- Stellen Sie sich NICHT in das Bett oder in die Innenablage.
- Überlasten Sie den internen Liftsockel NICHT.
- Springen Sie NICHT auf das Produkt oder eines seiner Teile.

## Français

### IMPORTANT POUR LES LITS À RELEVAGE DE GAZ&MAINTENANCE

- Veuillez placer le matelas sur le dessus du cadre de lit.
- Ne tirez pas sur les poignées de la sangle.
- Appuyez fortement pour libérer le gaz comprimé.
- Vérifiez régulièrement que toutes les vis et fixations sont bien en place.
- Lorsque vous déplacez votre produit, soulevez-le avec précaution pour le mettre en place.
- Nettoyez avec un chiffon légèrement humide - n'utilisez pas de produits chimiques abrasifs ou d'eau de Javel.
- Ne laissez pas les enfants utiliser le mécanisme de levage.
- Ne laissez pas les enfants s'approcher de la base de levage lorsqu'ils actionnent le mécanisme.
- Ne vous tenez PAS à l'intérieur du lit ou de la base de stockage interne.
- Ne surchargez pas la base de stockage interne.
- Ne pas sauter sur le produit ou l'une de ses parties.

## Italiano

### IMPORTANTE PER I LETTI CON SOLLEVAMENTO A GAS E LA MANUTENZIONE

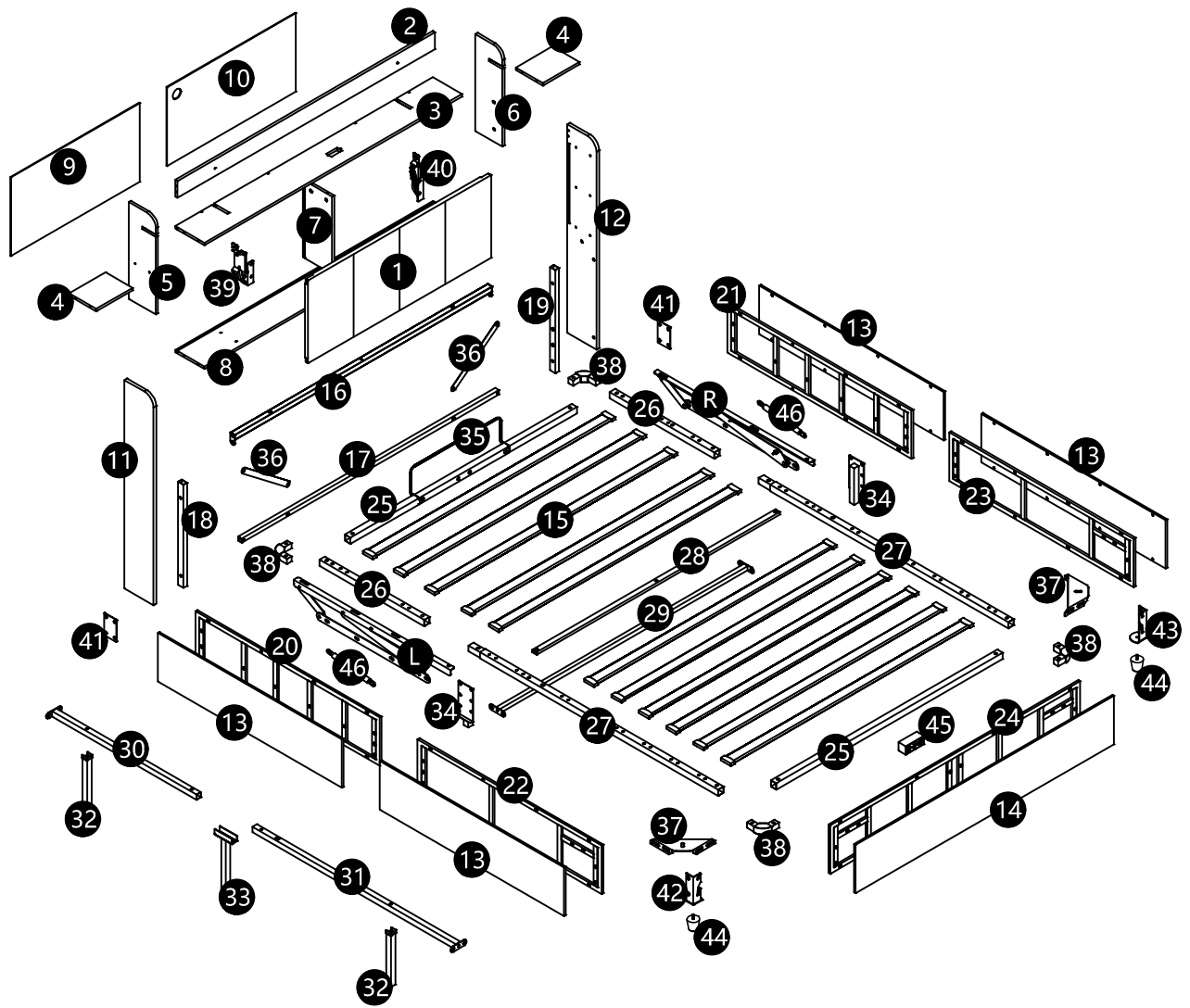
- Posizionare il materasso sopra la struttura del letto.
- Non tirare le maniglie della cinghia.
- Premere con forza per rilasciare il gas compresso.
- Controllare periodicamente tutte le viti e i fissaggi per assicurarsi che siano saldi.
- Quando si sposta il prodotto, sollevarlo con cautela.
- Pulire con un panno leggermente umido, senza usare prodotti chimici abrasivi o candeggina.
- NON permettere ai bambini di azionare il meccanismo di sollevamento.
- NON permettere ai bambini di avvicinarsi alla base di sollevamento quando si aziona il meccanismo.
- NON sostare all'interno del letto o della base di contenimento interna.
- NON sovraccaricare la base di contenimento interna.
- NON saltare sul prodotto o sulle sue parti.

## Español

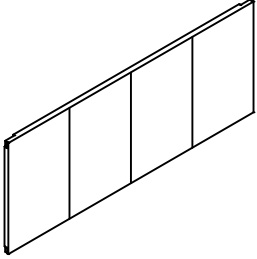
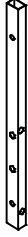
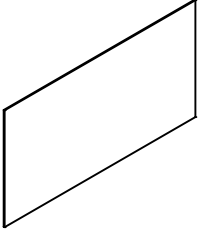

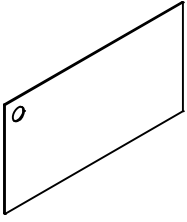
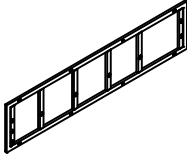

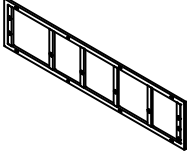

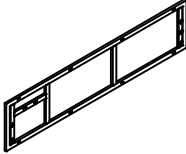
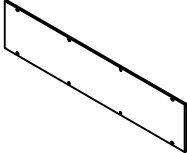
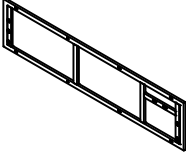
### IMPORTANTE PARA LAS CAMAS ELEVADORAS DE GAS&MANTENIMIENTO

- Coloque el colchón sobre el somier.
- No tire de las asas de la correa.
- Presione con fuerza para liberar el gas comprimido.
- Compruebe periódicamente que todos los tornillos y fijaciones estén bien sujetos.
- Al mover el producto, levántelo con cuidado para colocarlo en su sitio.
- Limpie con un paño ligeramente humedecido; no utilice productos químicos abrasivos ni lejía.
- NO permita que los niños accionen el mecanismo de elevación.
- NO permita que los niños se acerquen a la base elevadora cuando accionen el mecanismo.
- NO se ponga de pie dentro de la cama o de la base de almacenamiento interna.
- NO sobrecargue el somier.
- NO salte sobre el producto ni sobre ninguna de sus piezas.

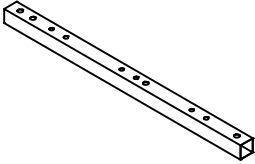

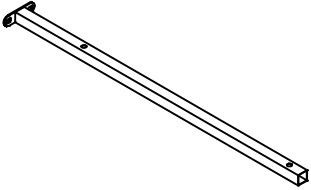
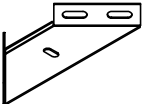

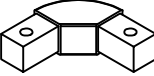
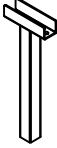
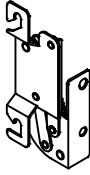


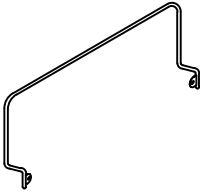
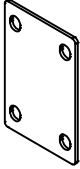





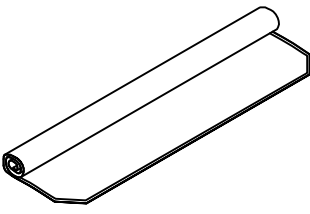



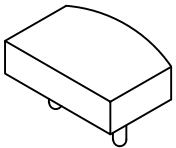
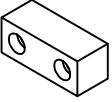
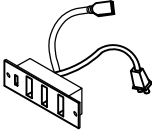
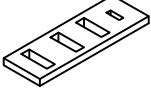
N623P304923

<p>1</p>		<p>X1</p>	<p>18</p>		<p>X1</p>
<p>9</p>		<p>X1</p>	<p>19</p>		<p>X1</p>
<p>10</p>		<p>X1</p>	<p>20</p>		<p>X1</p>
<p>11</p>		<p>X1</p>	<p>21</p>		<p>X1</p>
<p>12</p>		<p>X1</p>	<p>22</p>		<p>X1</p>
<p>13</p>		<p>X4</p>	<p>23</p>		<p>X1</p>

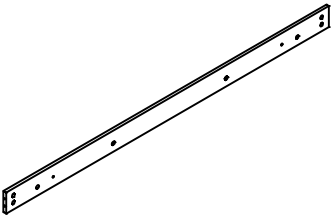
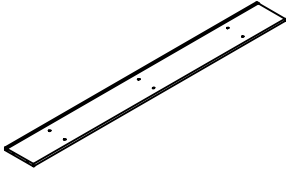
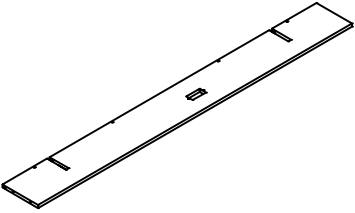
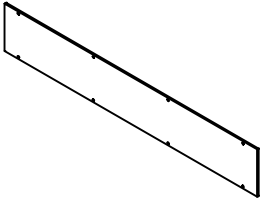
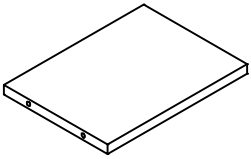
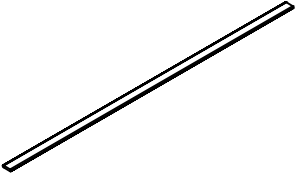
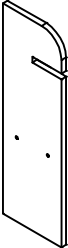
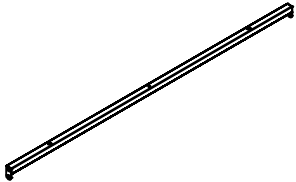
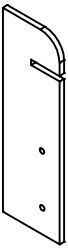
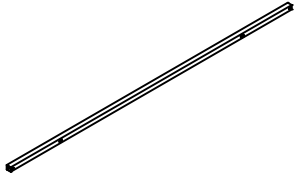
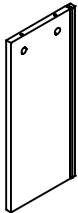
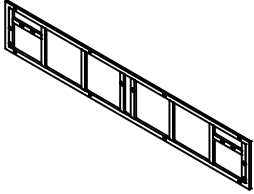
N623P304923

<p>26</p>		<p>X2</p>	<p>36</p>		<p>X2</p>
<p>30</p>		<p>X1</p>	<p>37</p>		<p>X2</p>
<p>32</p>		<p>X2</p>	<p>38</p>		<p>X4</p>
<p>33</p>		<p>X1</p>	<p>39</p>		<p>X1</p>
<p>34</p>		<p>X2</p>	<p>40</p>		<p>X1</p>
<p>35</p>		<p>X1</p>	<p>41</p>		<p>X2</p>

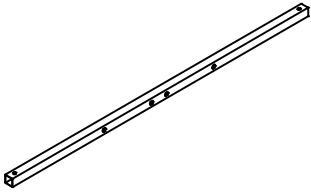
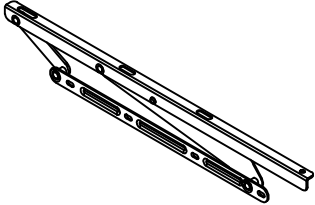
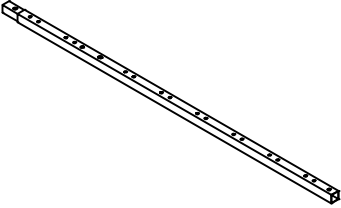
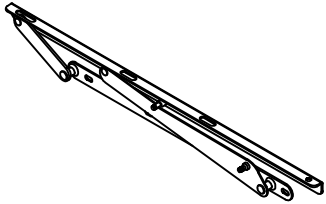
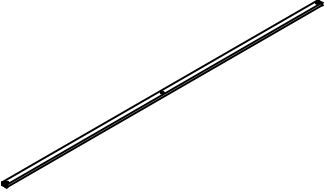
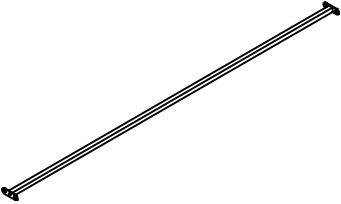
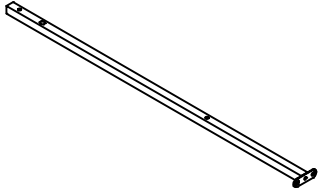
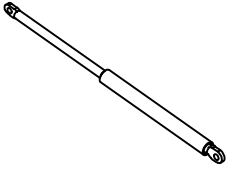
N623P304923

<p>42</p>		<p>X1</p>	<p>49</p>		<p>X1</p>
<p>43</p>		<p>X1</p>	<p>50</p>		<p>X1</p>
<p>44</p>		<p>X2</p>	<p>51</p>		<p>X22</p>
<p>45</p>		<p>X1</p>			
<p>47</p>		<p>X1</p>			
<p>48</p>		<p>X1</p>			

N623P304924


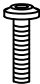

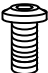
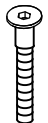

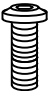


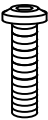


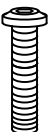
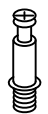

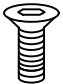


<p>2</p>		<p>X1</p>	<p>8</p>		<p>X1</p>
<p>3</p>		<p>X1</p>	<p>14</p>		<p>X1</p>
<p>4</p>		<p>X2</p>	<p>15</p>		<p>X11</p>
<p>5</p>		<p>X1</p>	<p>16</p>		<p>X1</p>
<p>6</p>		<p>X1</p>	<p>17</p>		<p>X1</p>
<p>7</p>		<p>X1</p>	<p>24</p>		<p>X1</p>

N623P304924

<p>25</p>		<p>X2</p>	<p>L</p>		<p>X1</p>
<p>27</p>		<p>X2</p>	<p>R</p>		<p>X1</p>
<p>28</p>		<p>X1</p>			
<p>29</p>		<p>X1</p>			
<p>31</p>		<p>X1</p>			
<p>46</p>		<p>X2</p>			

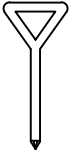

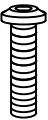

# Hardware List-Hardware-Liste-Liste du matériel

N623P304923

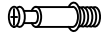
<b>A</b>	 M8*12	X8+1	<b>G</b>	 M6*34	X3+1	<b>N</b>	 M8* $\phi$ 22	X5+1
<b>B</b>	 M8*15	X64+4	<b>H</b>	 M5*35	X8+1	<b>O</b>	 M8	X12+1
<b>C</b>	 M8*25	X2+1	<b>J</b>	 M3*12	X2+1	<b>P</b>		X8+1
<b>D</b>	 M8*35	X9+1	<b>K</b>	 M3*16	X8+1	<b>Q</b>	 M5	X1
<b>E</b>	 M8*45	X8+1	<b>L</b>	 M6*34	X26+2	<b>R</b>	 M6	X1
<b>F</b>	 M6*15	X40+1	<b>M</b>	 M6*15	X26+2	<b>S</b>	 M8	X1

# Hardware List-Hardware-Liste-Liste du matériel

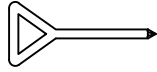
N623P304923

<b>T</b>		X1						
<b>U</b>		X1						
<b>V</b>	 M8*30	X4+1						
<b>W</b>	 Silent sticker	X4+1						

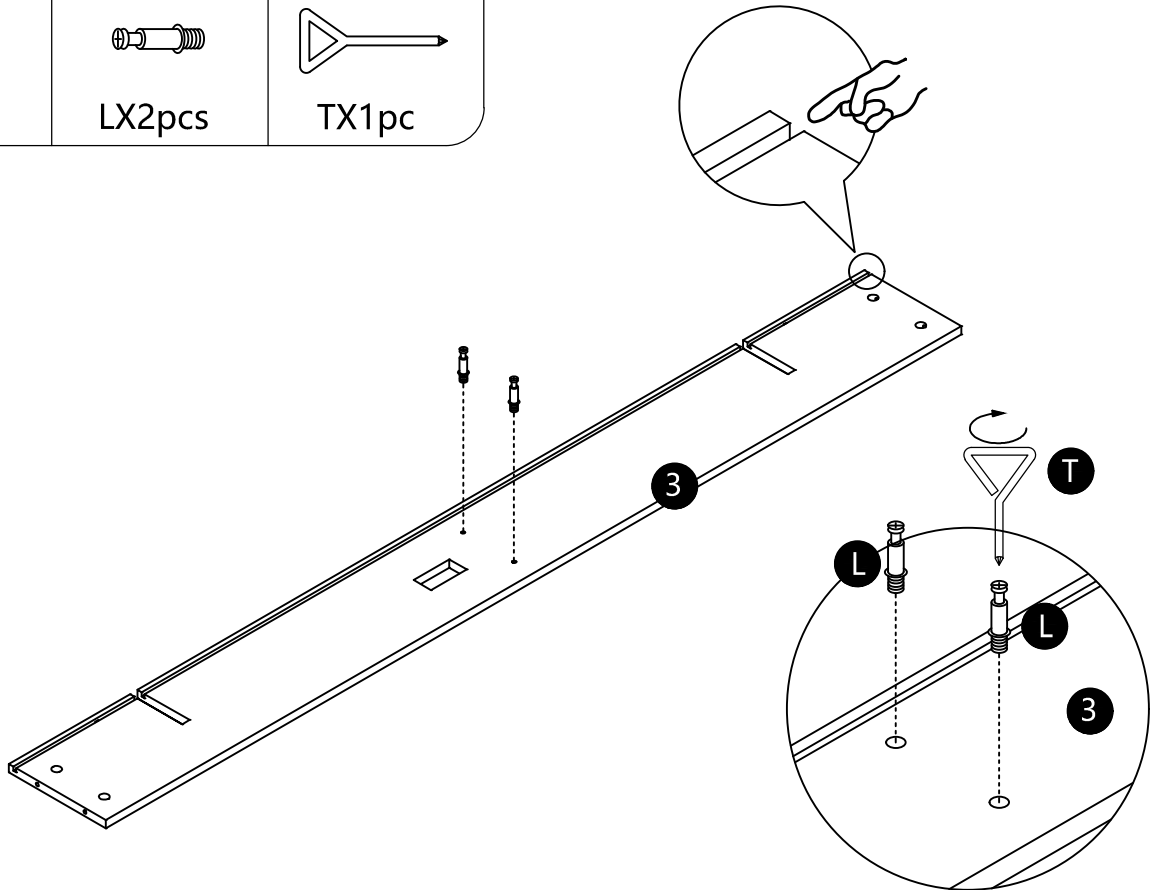
# 1



LX2pcs



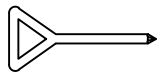
TX1pc



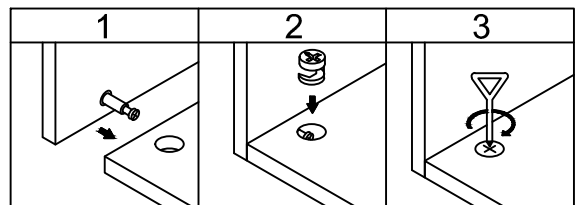
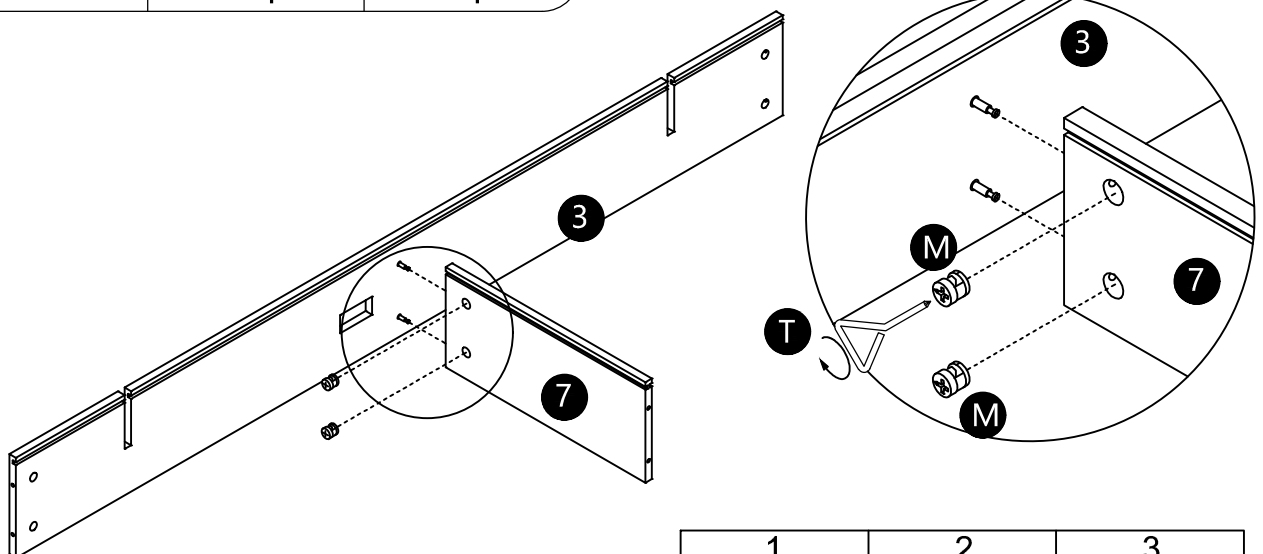
# 2



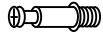
MX2pcs



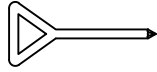
TX1pc



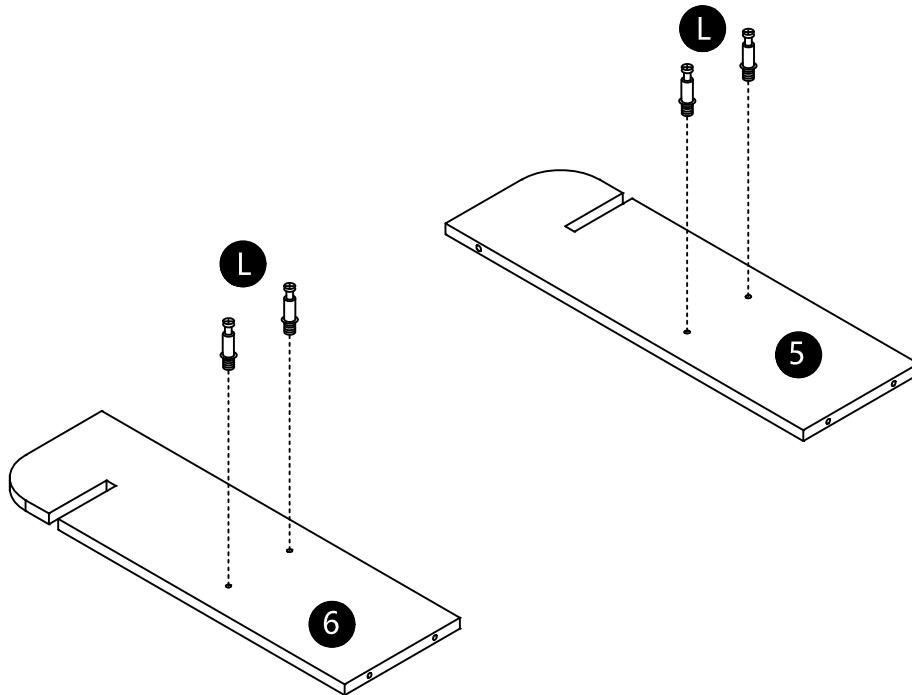
**3**



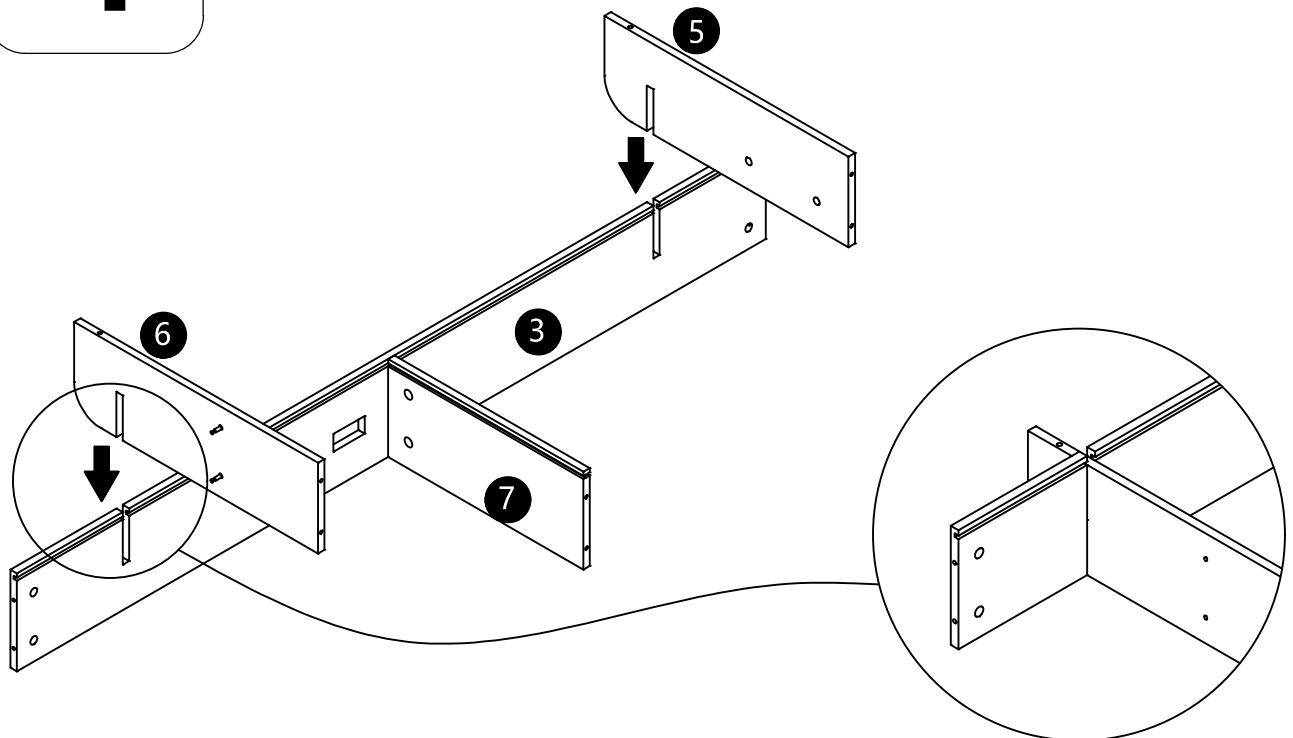
LX4pcs


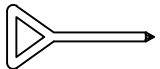


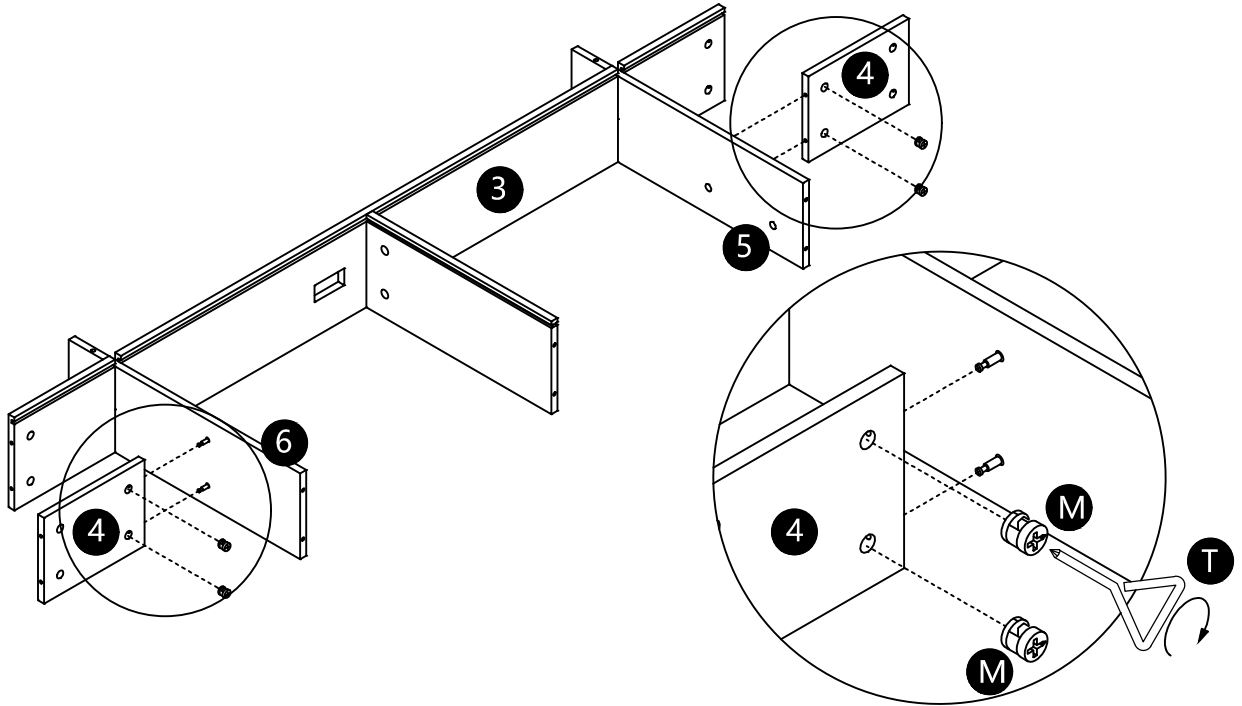
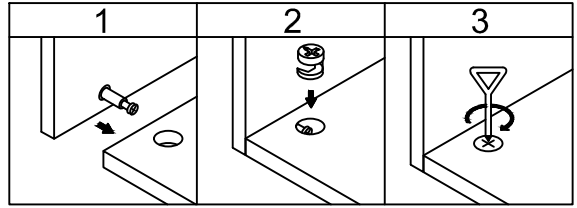
TX1pc

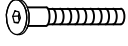



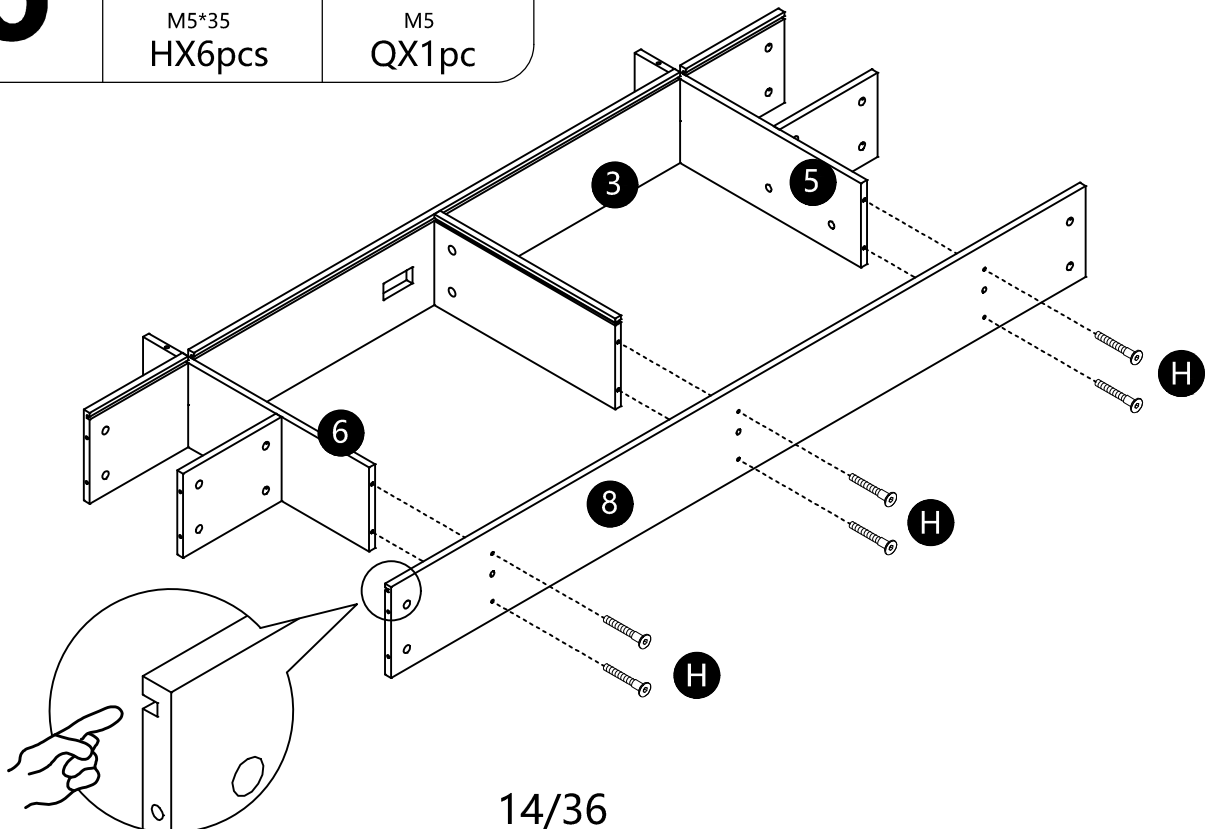
**4**



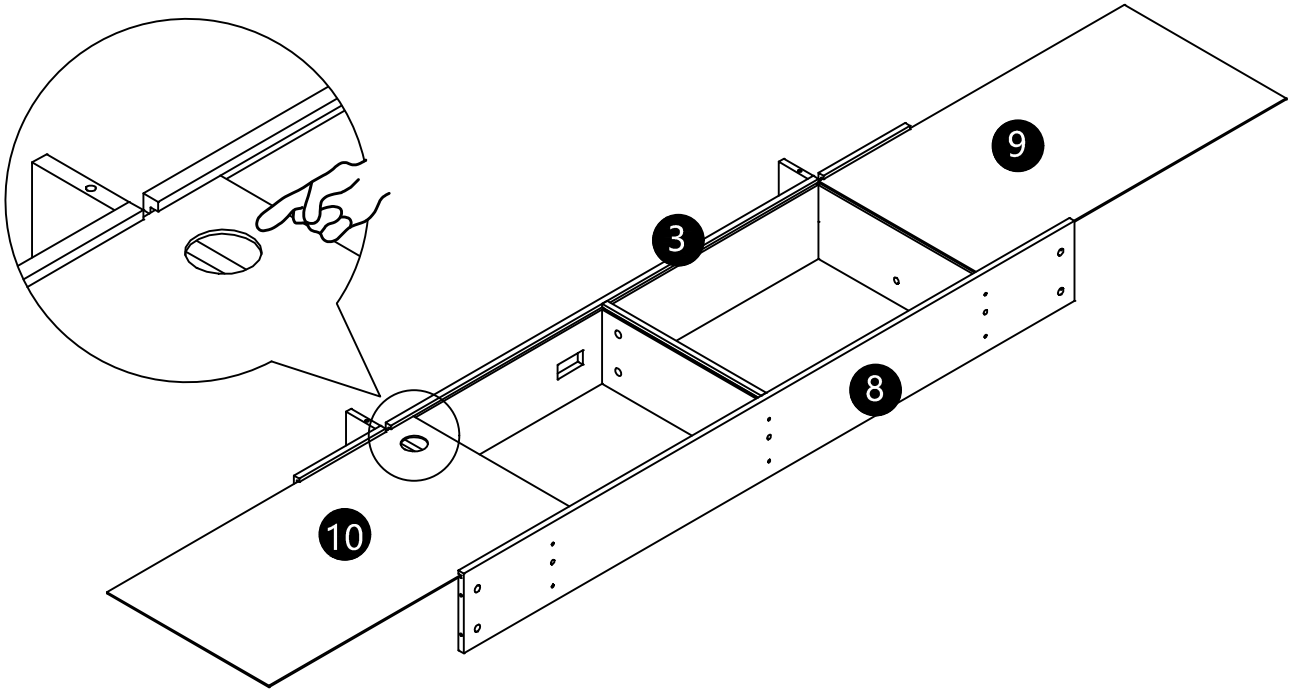
<h1>5</h1>	 MX4pcs	 YX1pc
------------	---	--



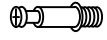
<h1>6</h1>	 M5*35 HX6pcs	 M5 QX1pc
------------	--	--



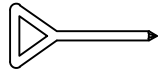
7



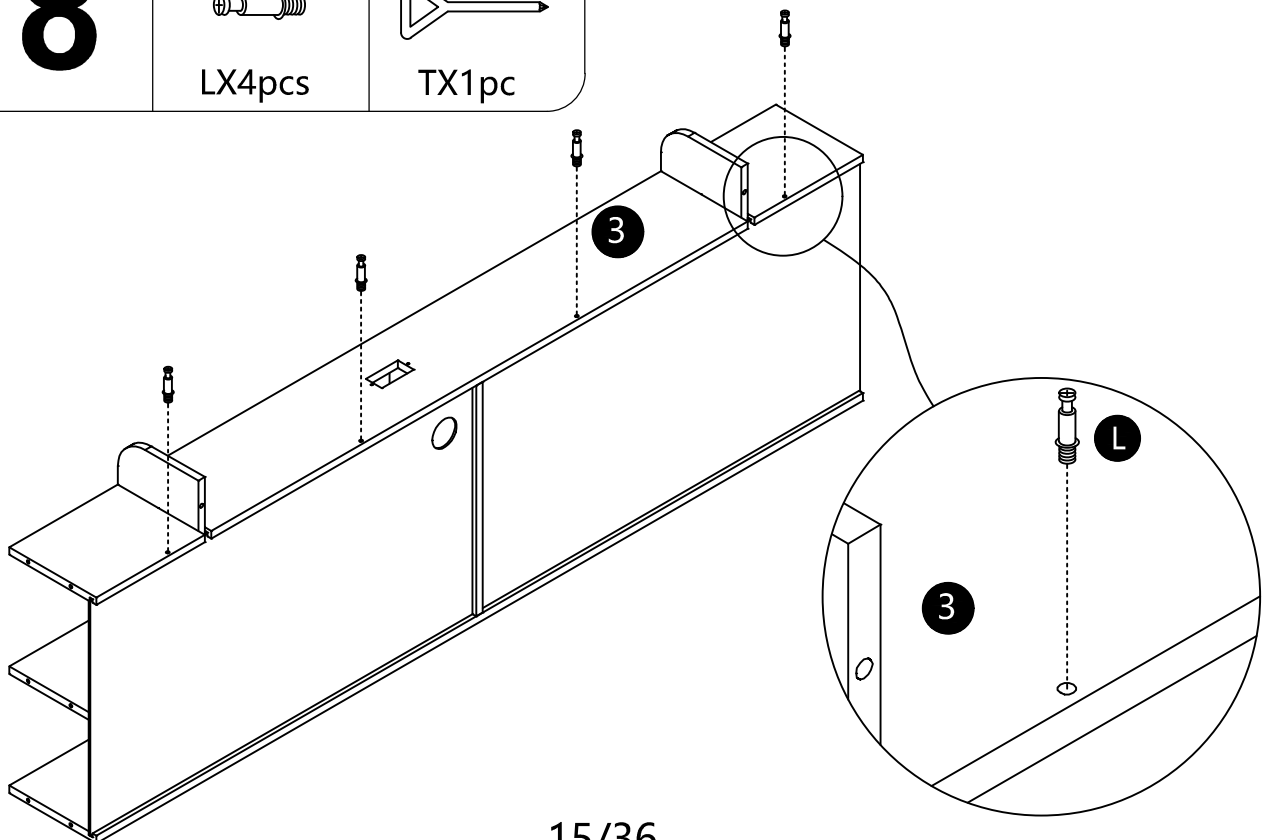
8



LX4pcs



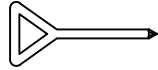
TX1pc



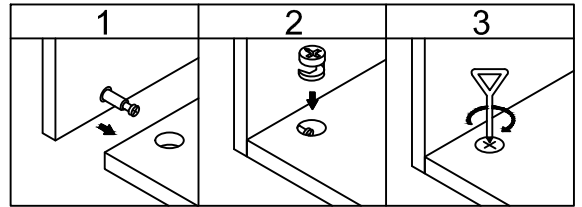
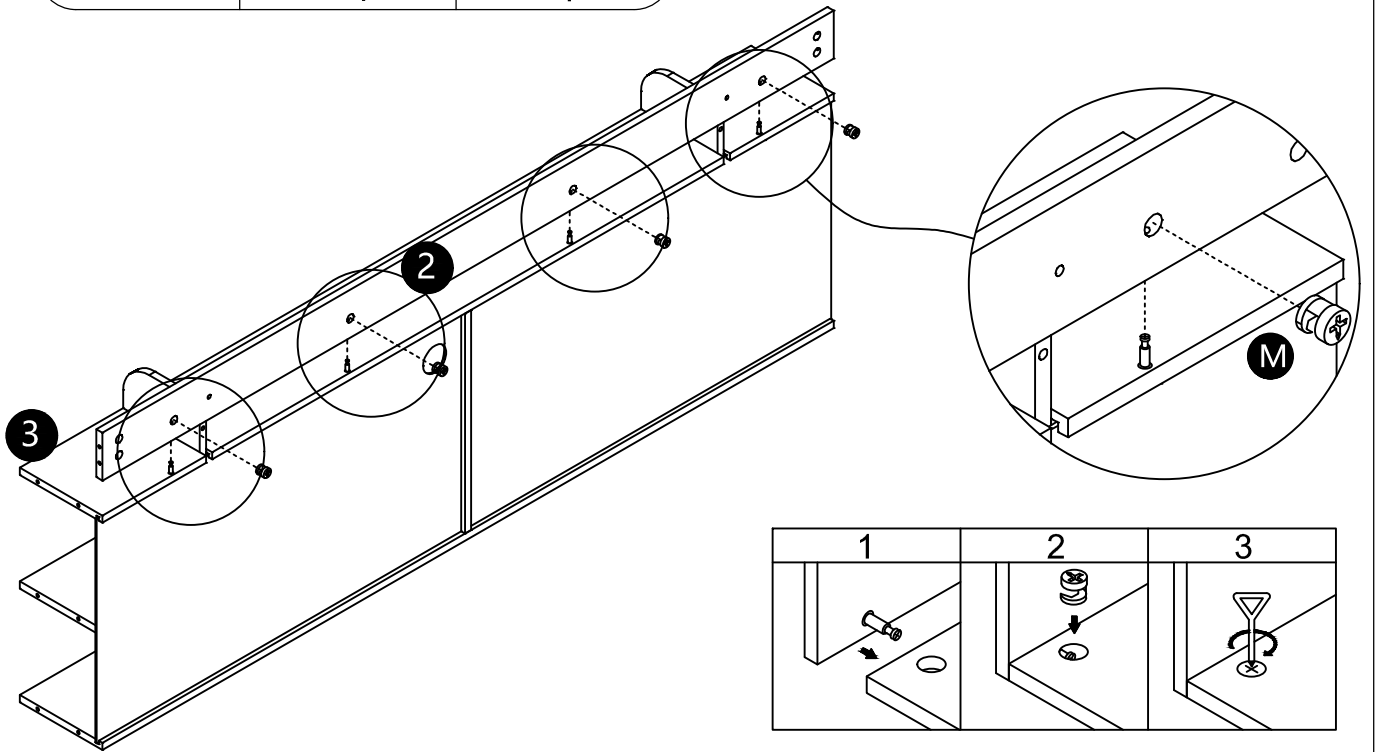
# 9



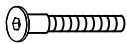
MX4pcs



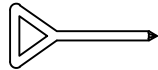
TX1pc



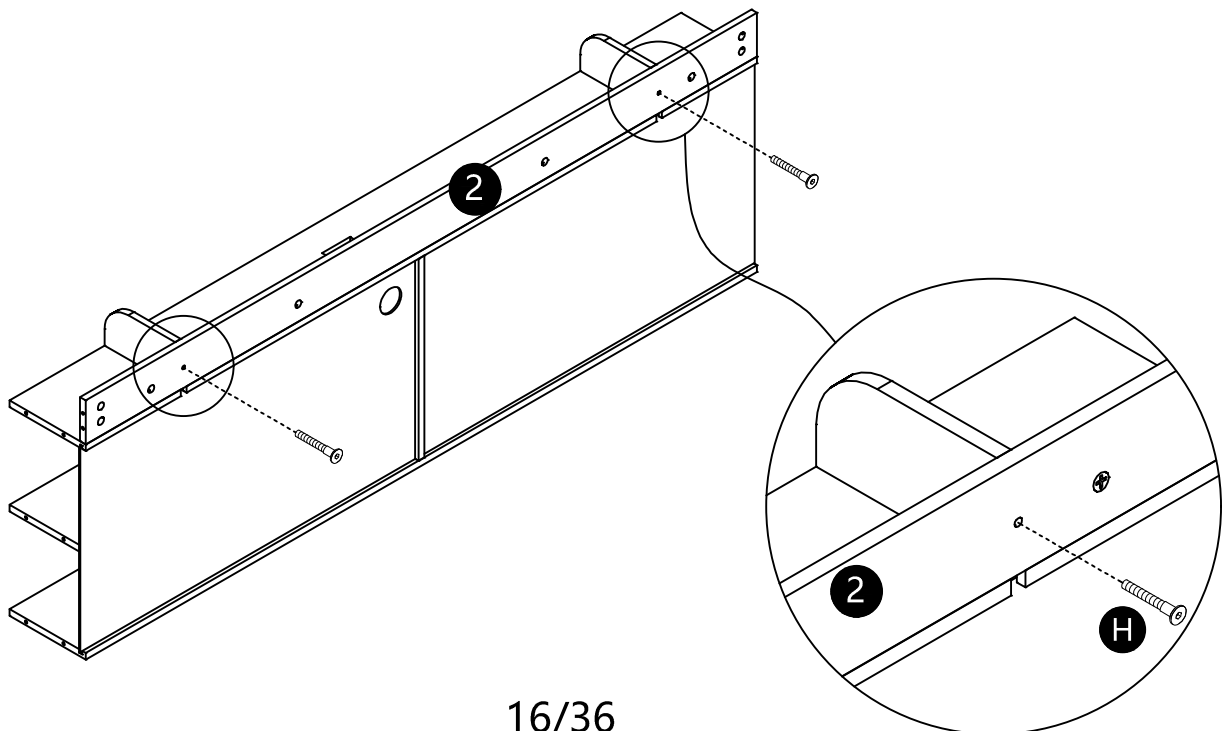
# 10



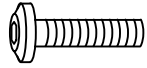
M5\*35  
HX2pcs



TX1pc



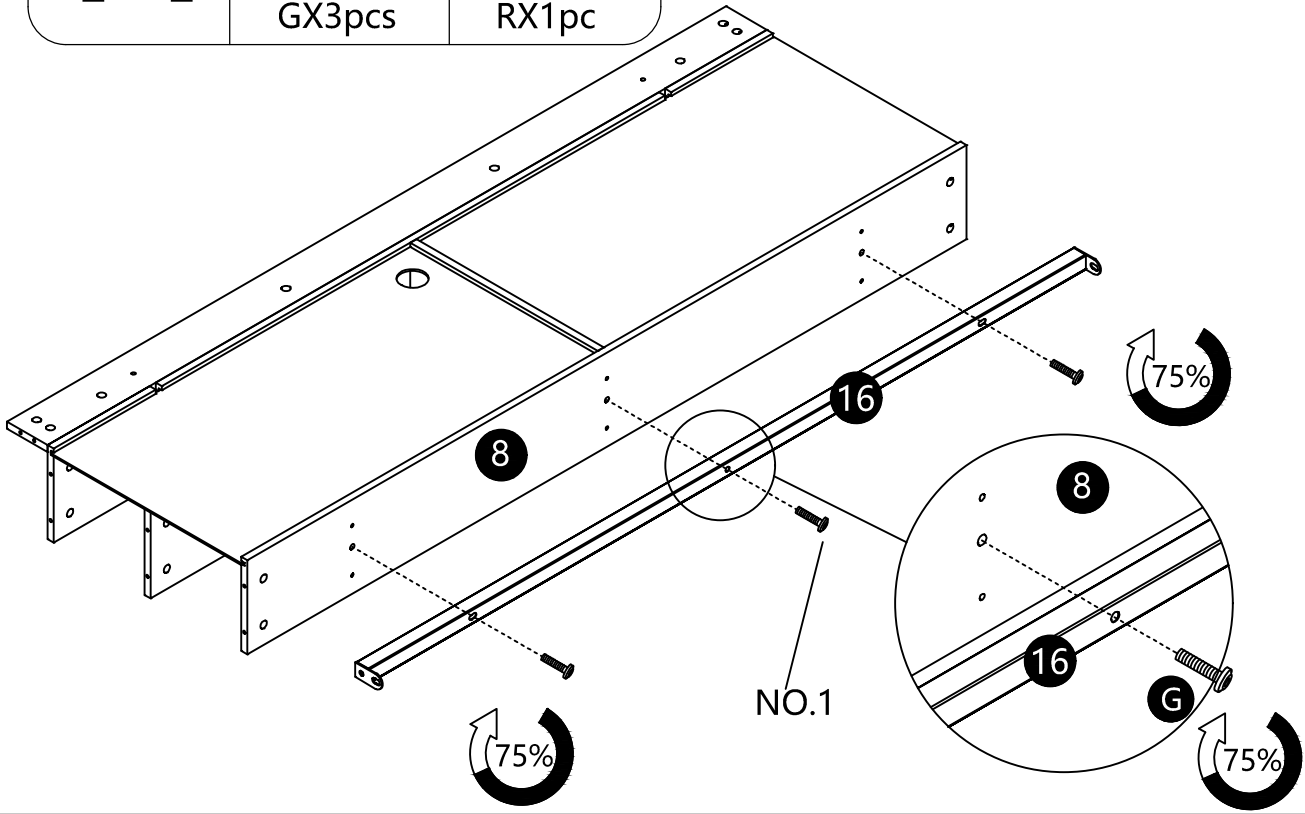
# 11



M6\*34  
GX3pcs



M6  
RX1pc



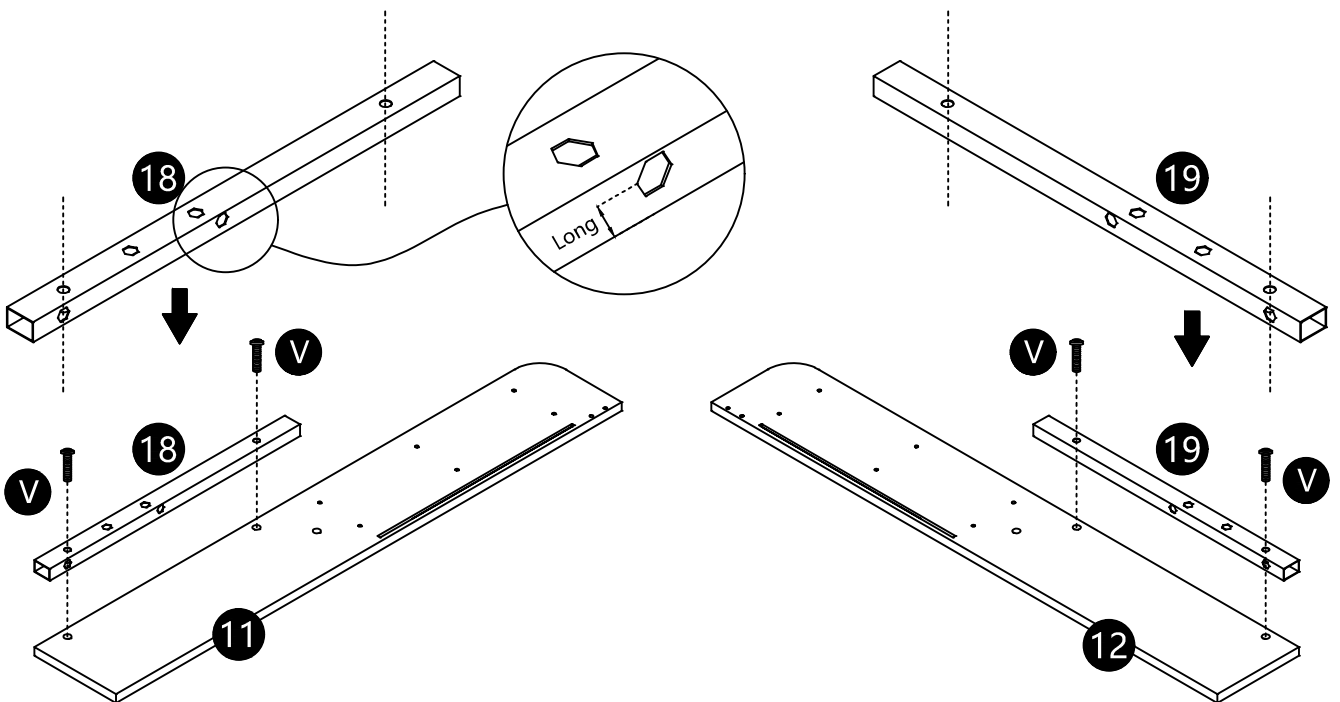
# 12



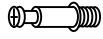
M8X30  
VX4pcs



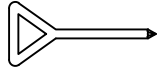
M8  
SX1pc



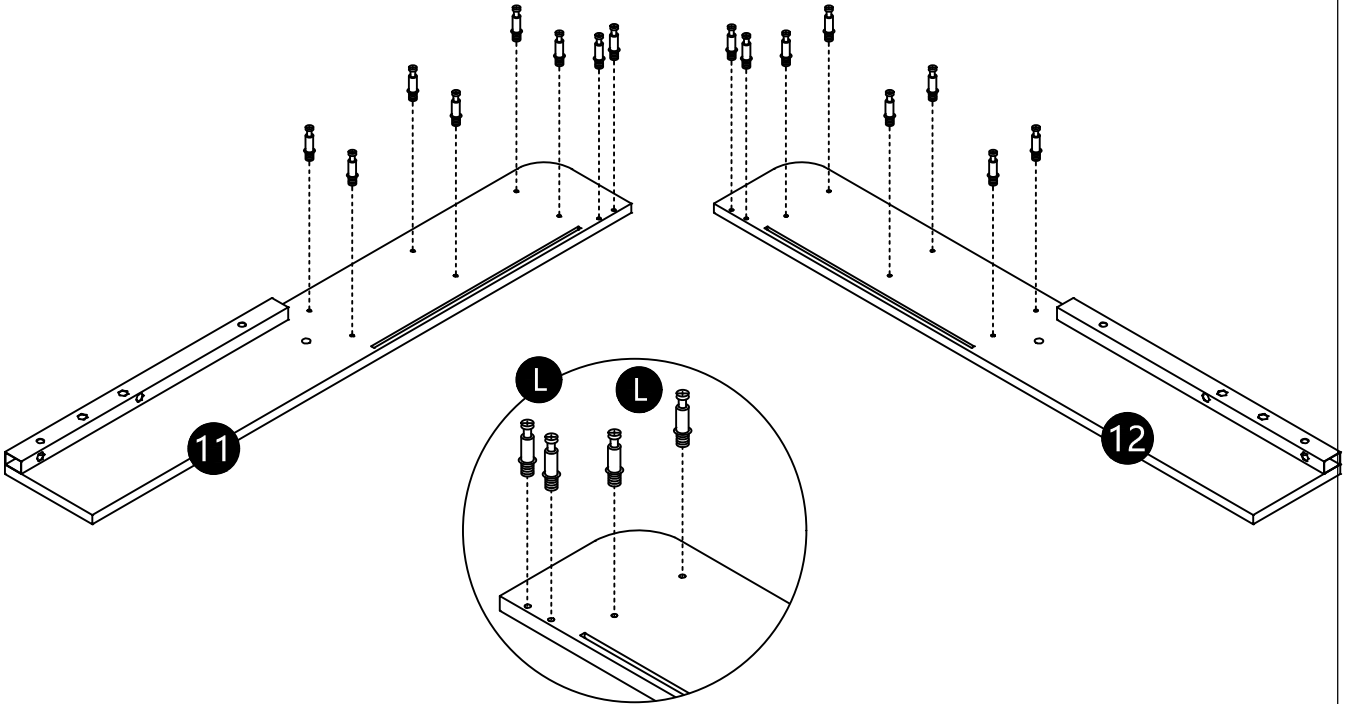
# 13



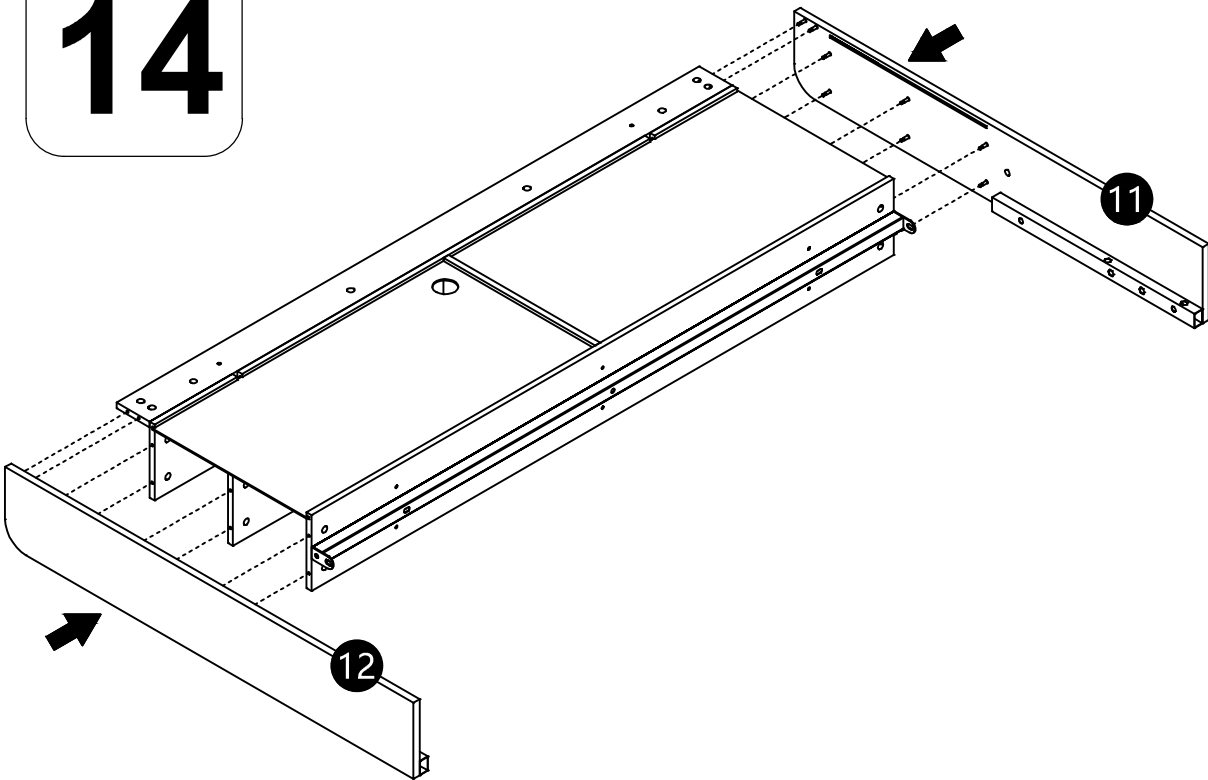
LX16pcs



TX1pc



# 14

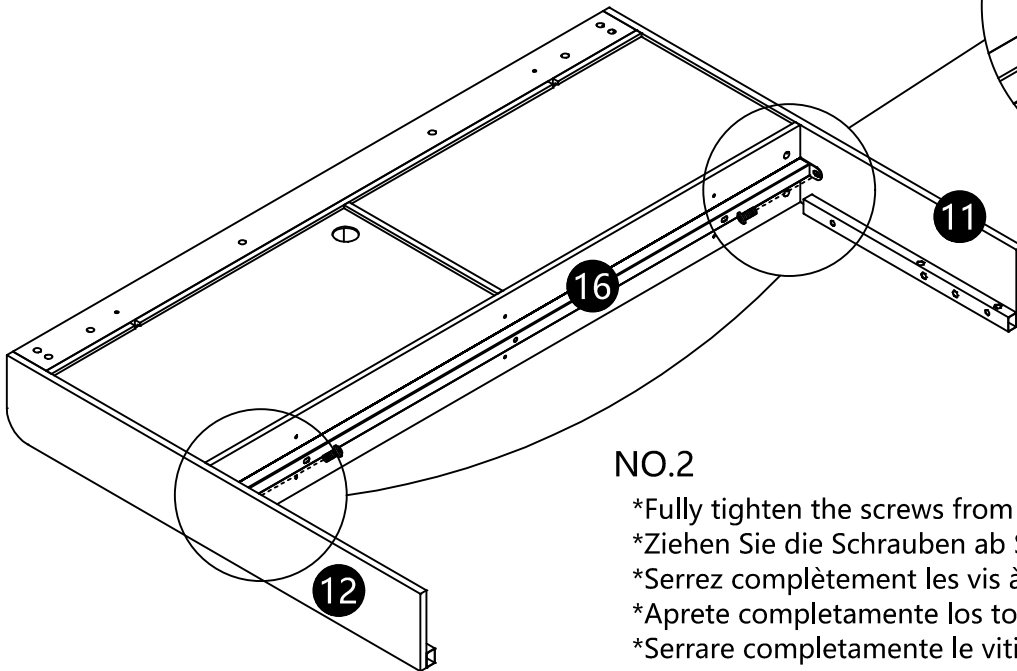
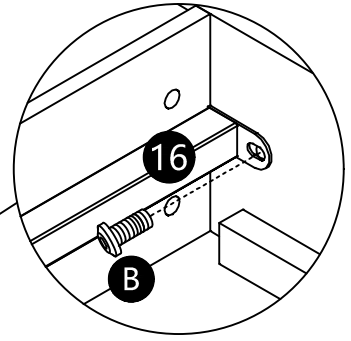


# 15

M8X15  
BX2pcs

M8  
SX1pc

NO.1



NO.2

- \*Fully tighten the screws from step 11
- \*Ziehen Sie die Schrauben ab Schritt 11 vollständig an
- \*Serrez complètement les vis à partir de l'étape 11
- \*Aprete completamente los tornillos desde el paso 11
- \*Serrare completamente le viti dal passo 11

# 16

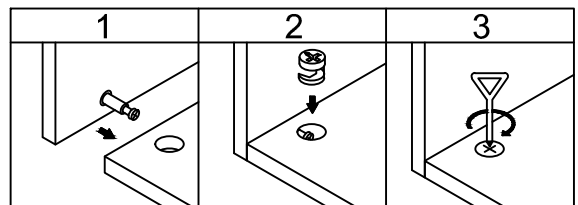
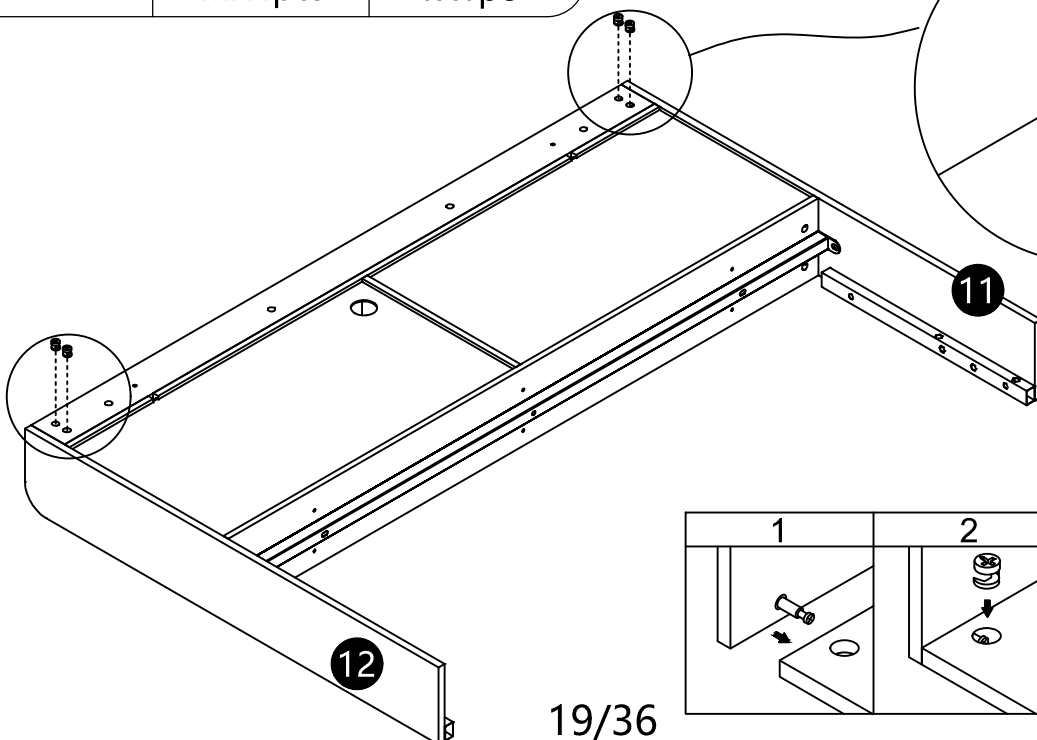
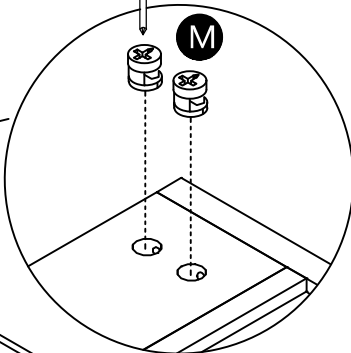
MX4pcs

TX1pc

T

M

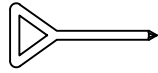
M



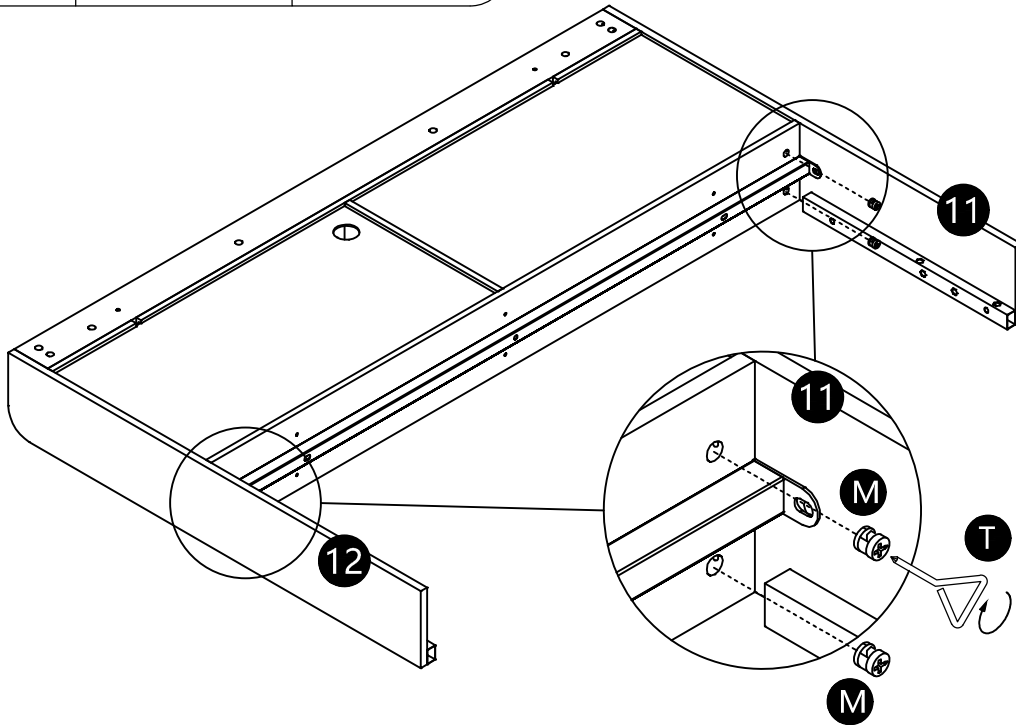
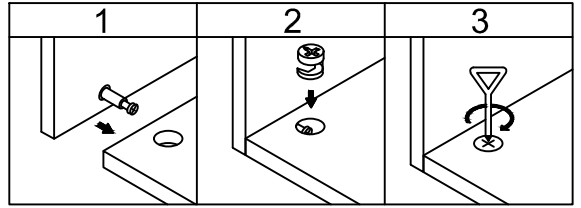
# 17



MX4pcs



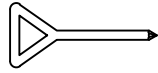
TX1pc



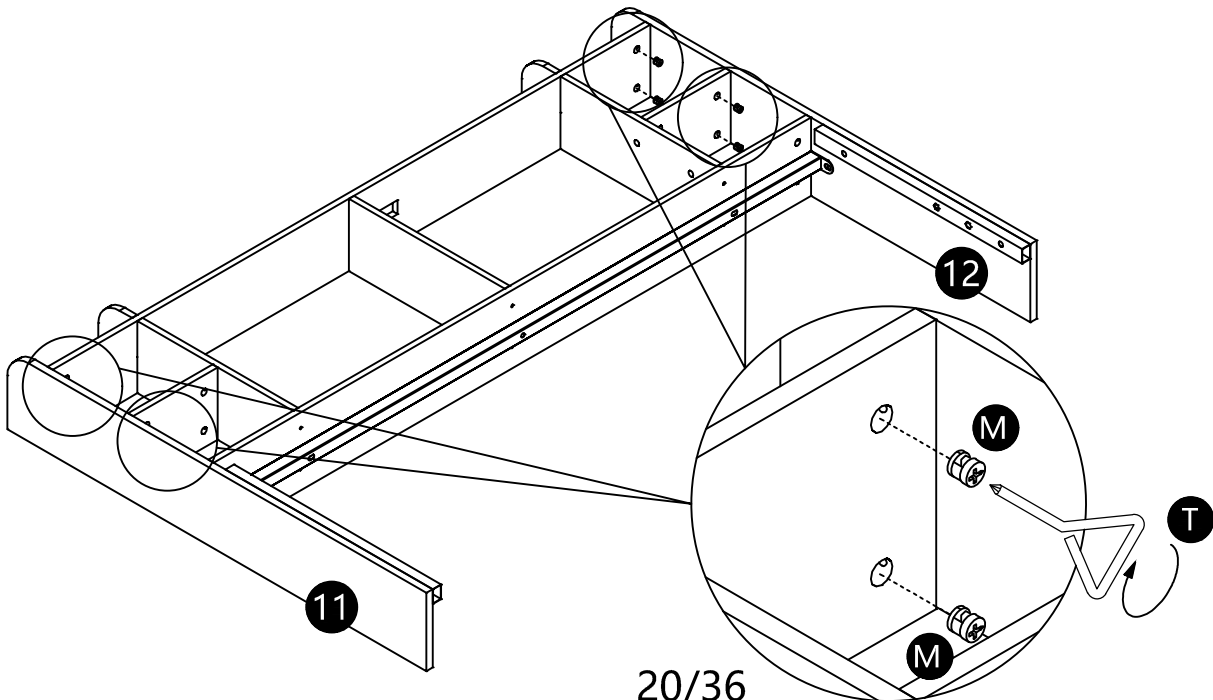
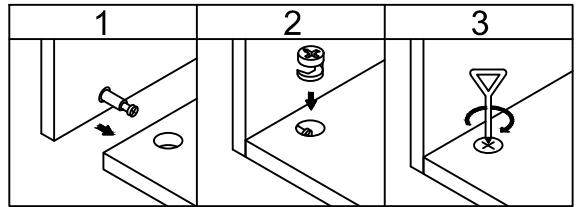
# 18



MX8pcs



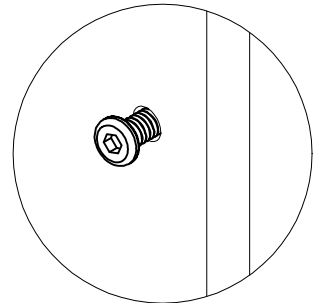
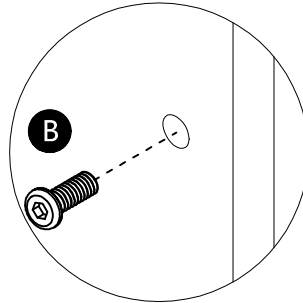
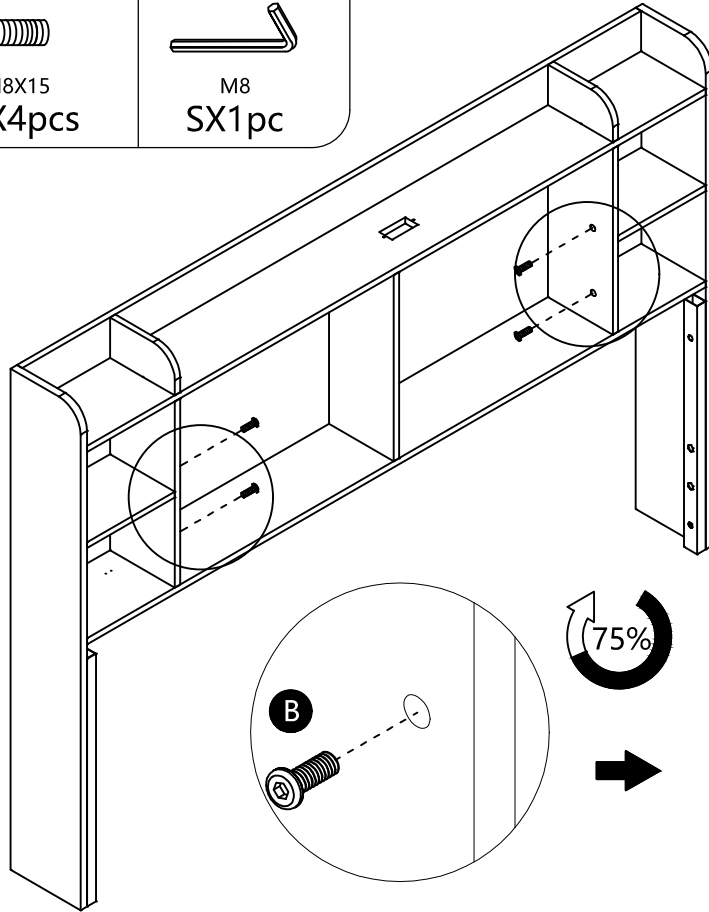
TX1pc



# 19

M8X15  
BX4pcs

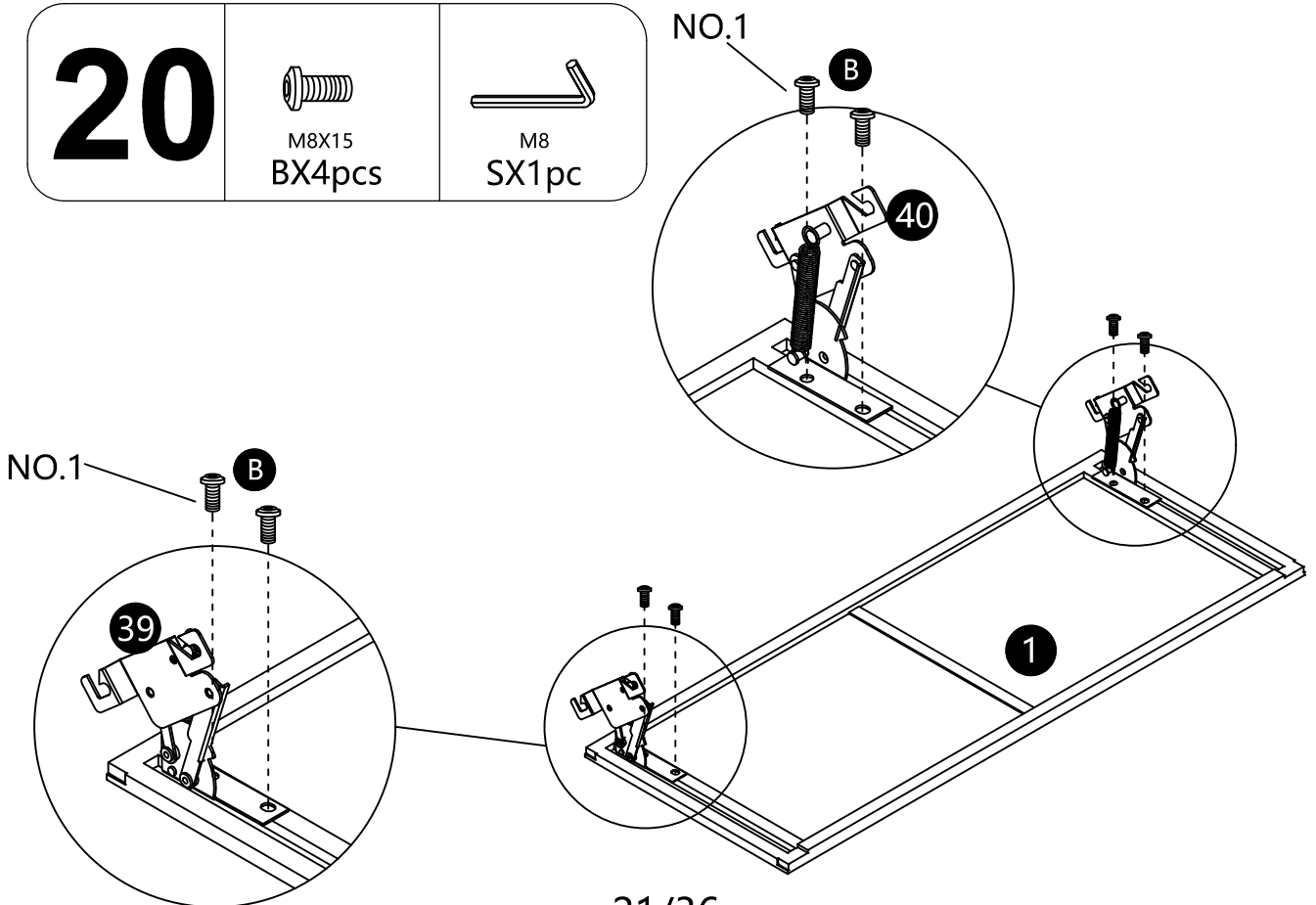
M8  
SX1pc



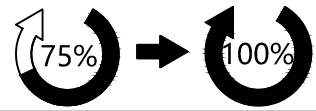
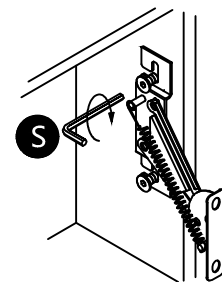
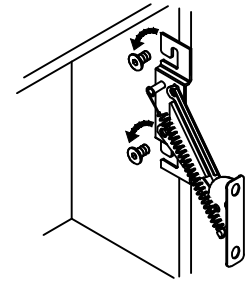
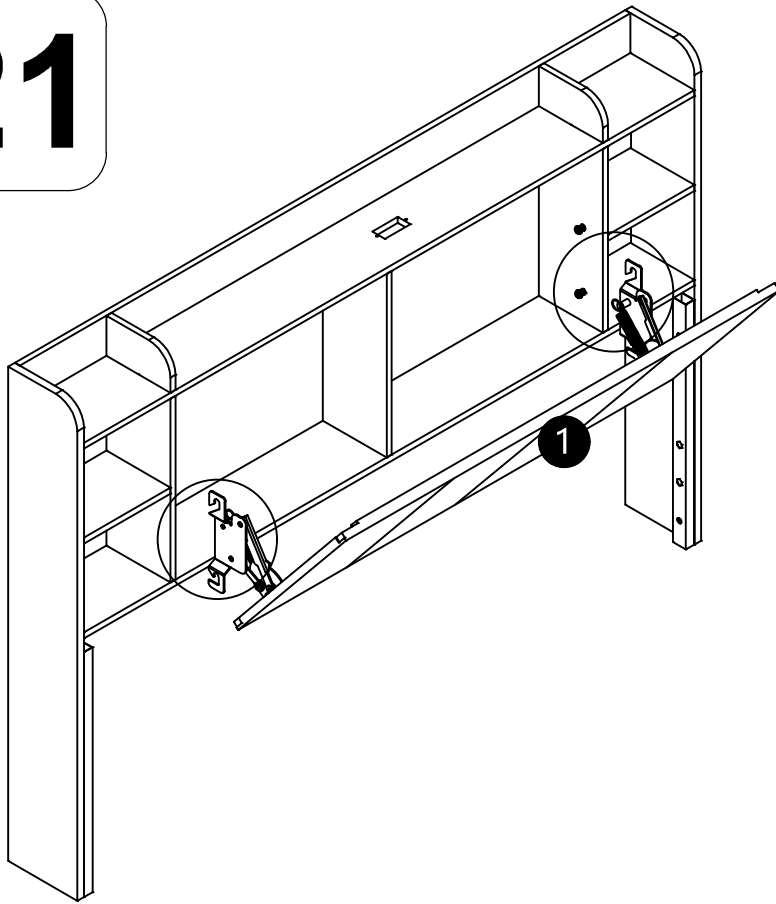
# 20

M8X15  
BX4pcs

M8  
SX1pc



# 21



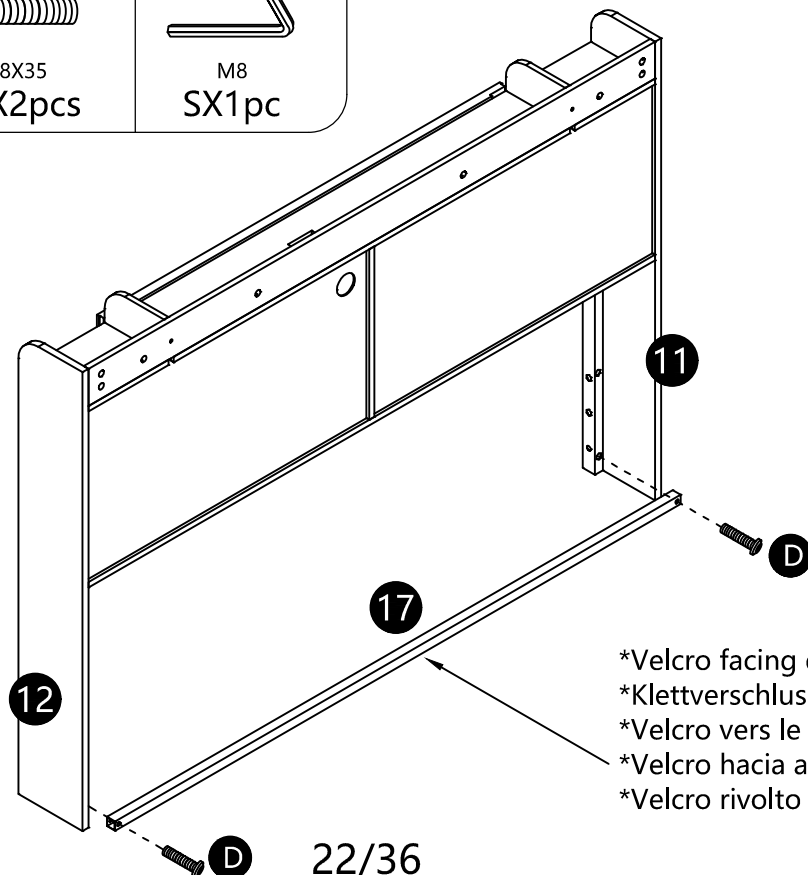
# 22



M8X35  
DX2pcs



M8  
SX1pc



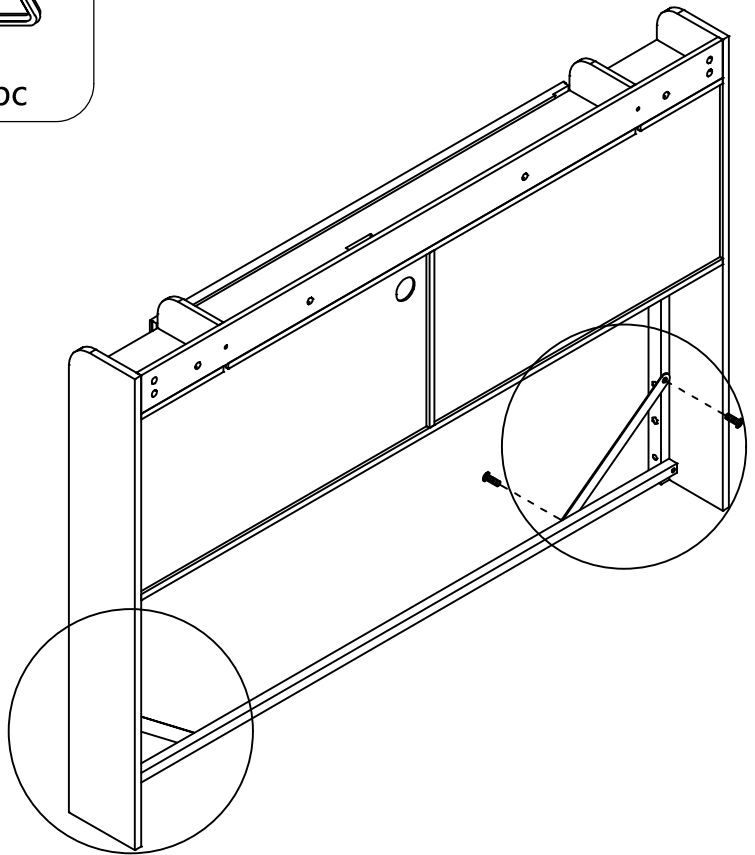
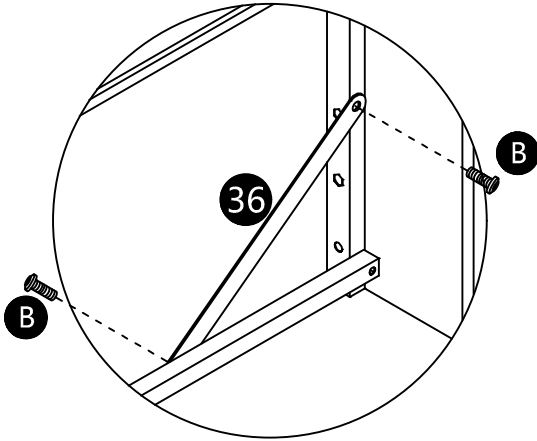
- \*Velcro facing downwards
- \*Klettverschluss nach unten
- \*Velcro vers le bas
- \*Velcro hacia abajo
- \*Velcro rivolto verso il basso

22/36

# 23

M8X15  
BX4pcs

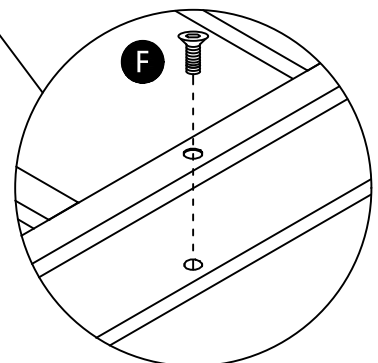
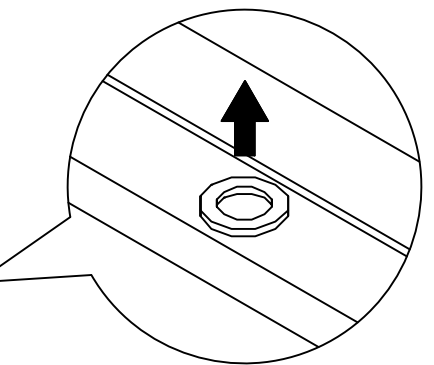
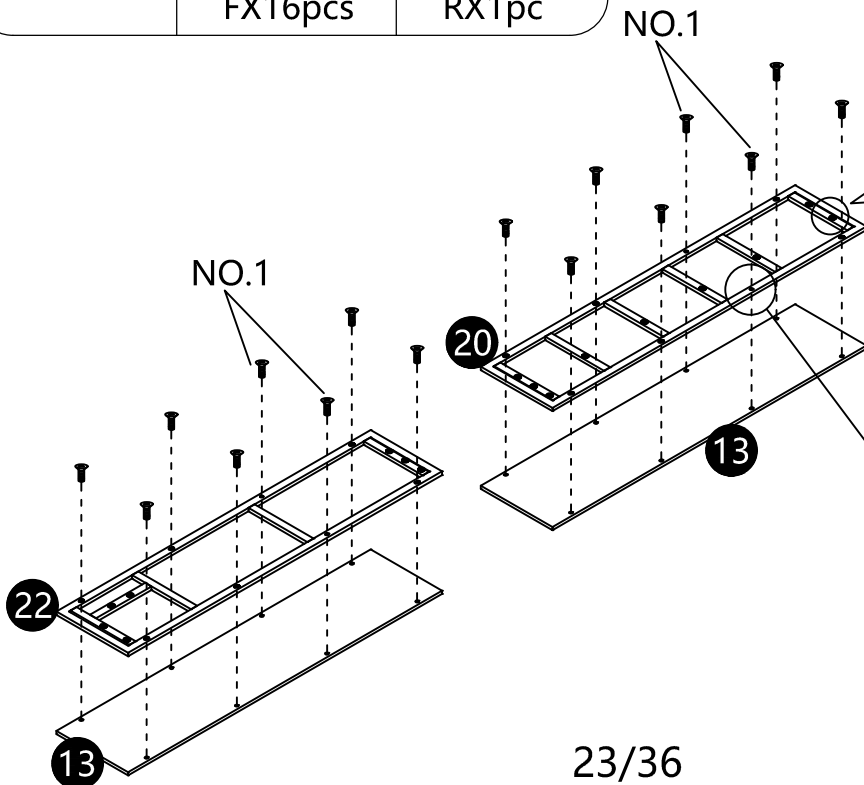
M8  
SX1pc



# 24

M6X15  
FX16pcs

M6  
RX1pc



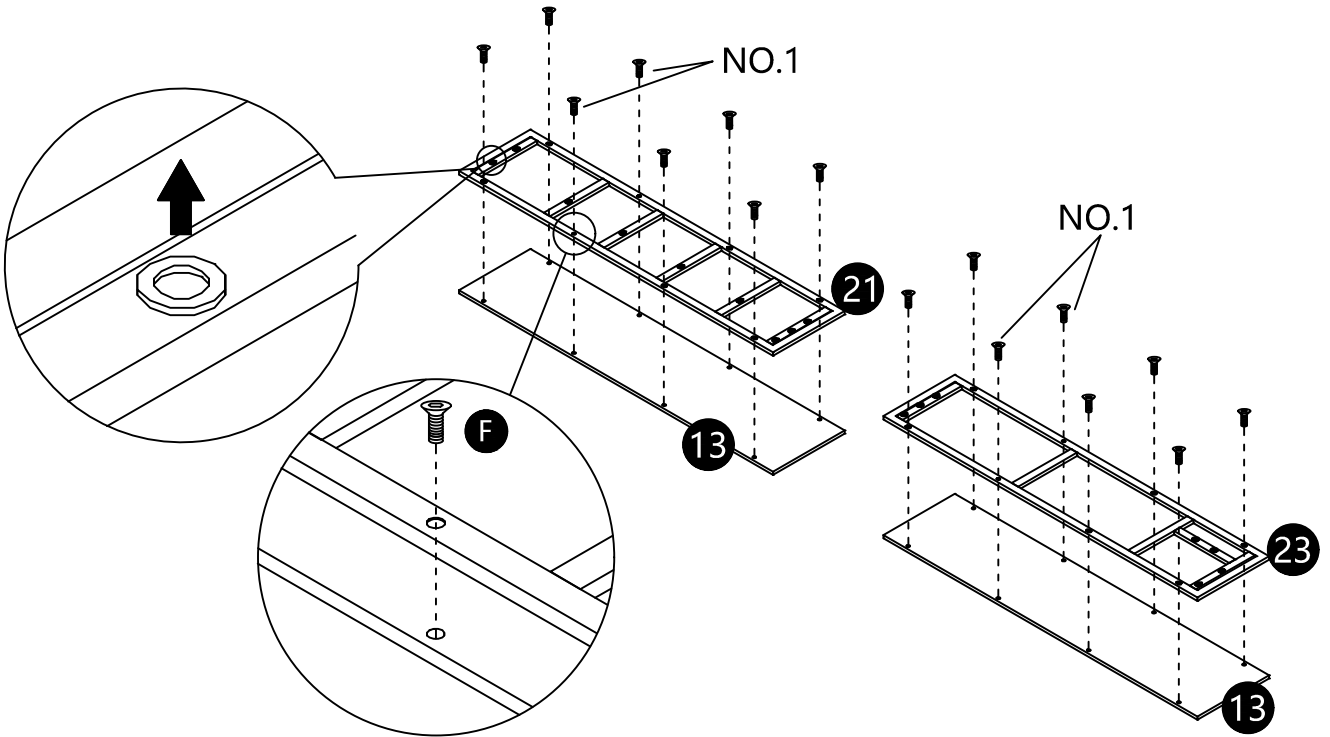
# 25



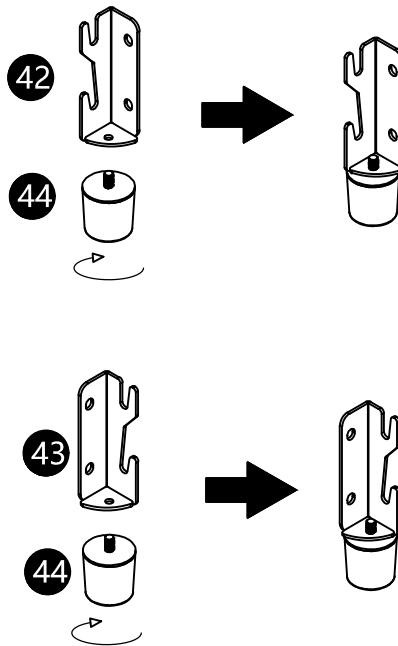
M6X15  
FX16pcs



M6  
RX1pc



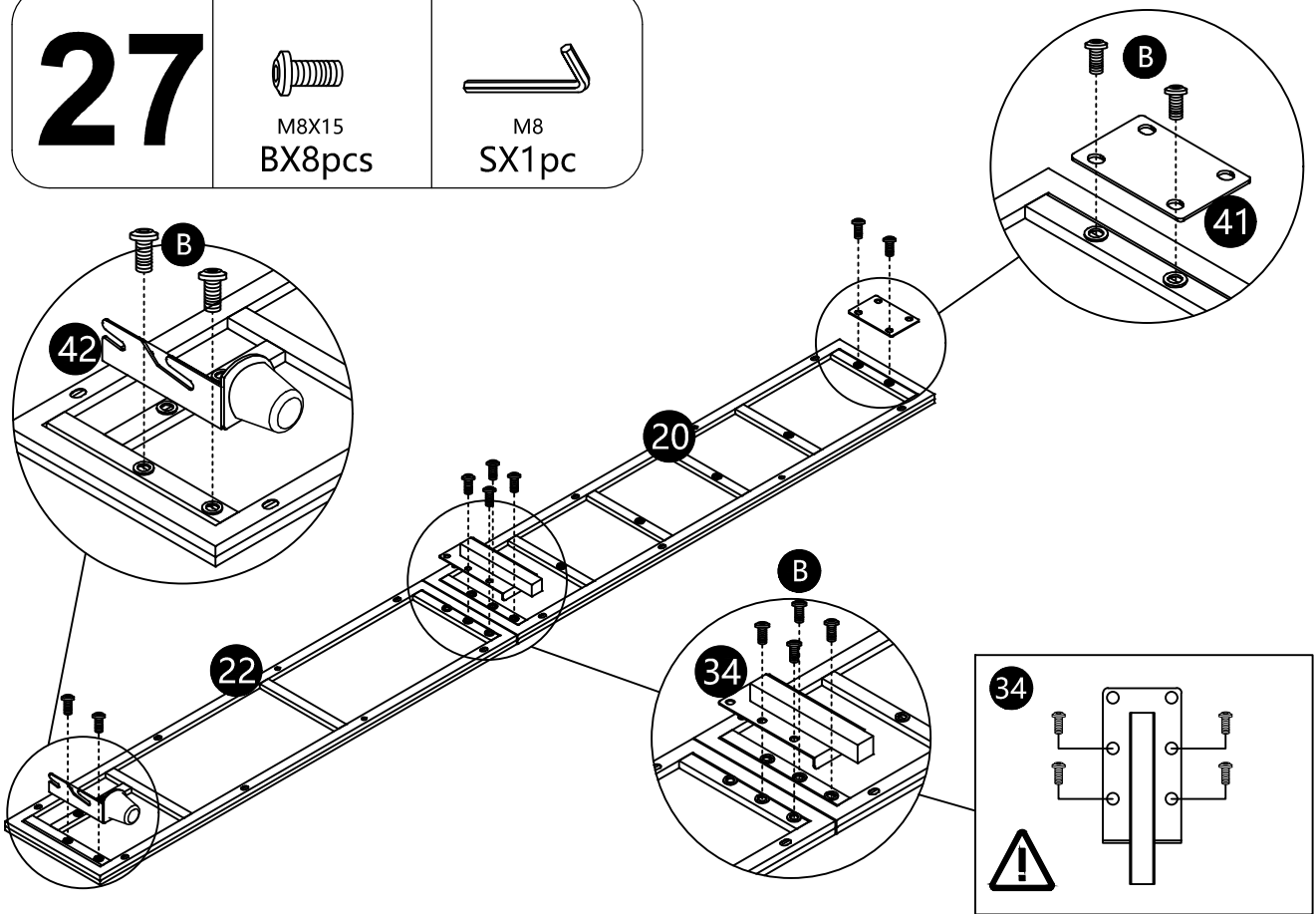
# 26



# 27

M8X15  
BX8pcs

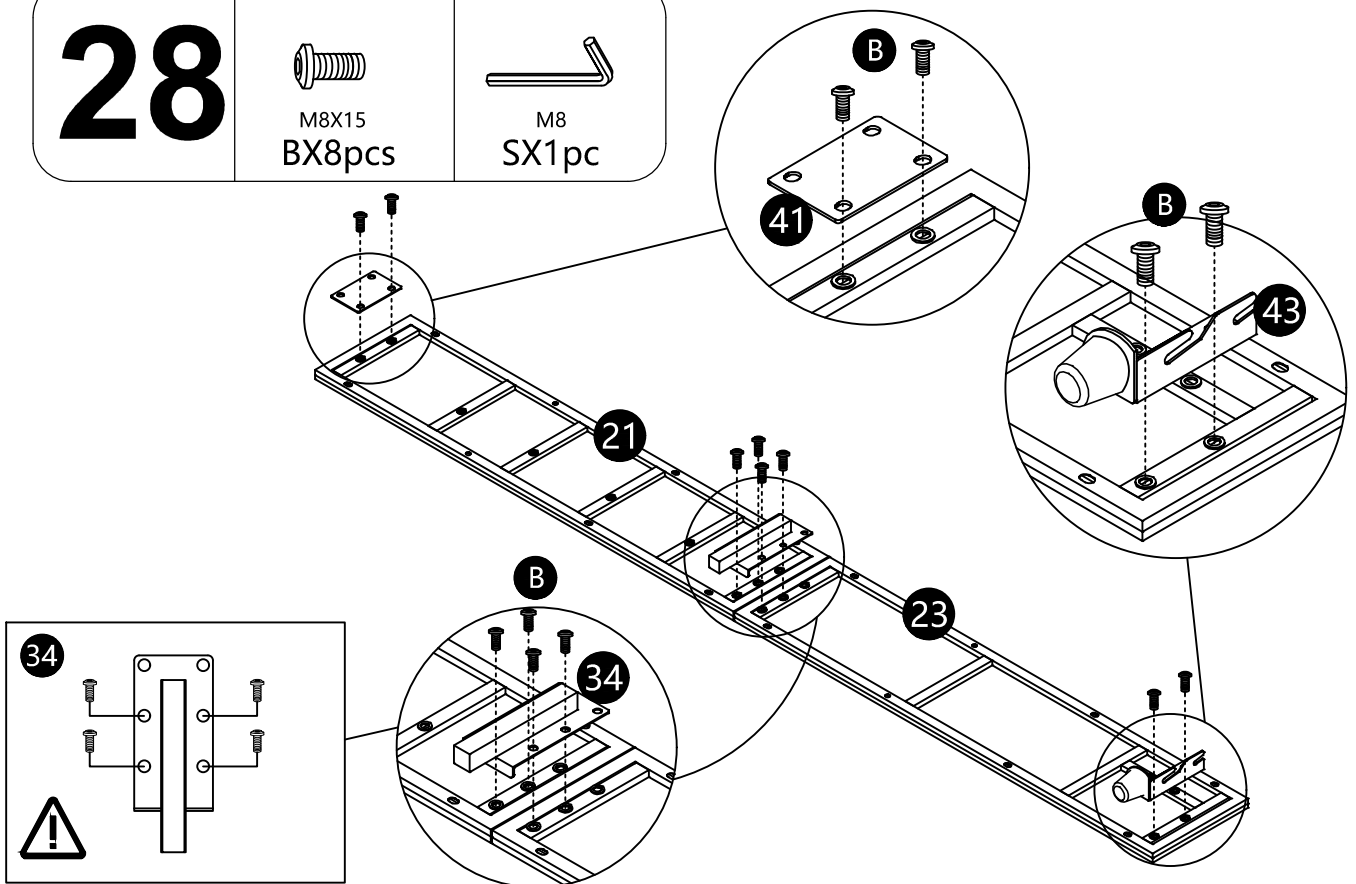
M8  
SX1pc



# 28

M8X15  
BX8pcs

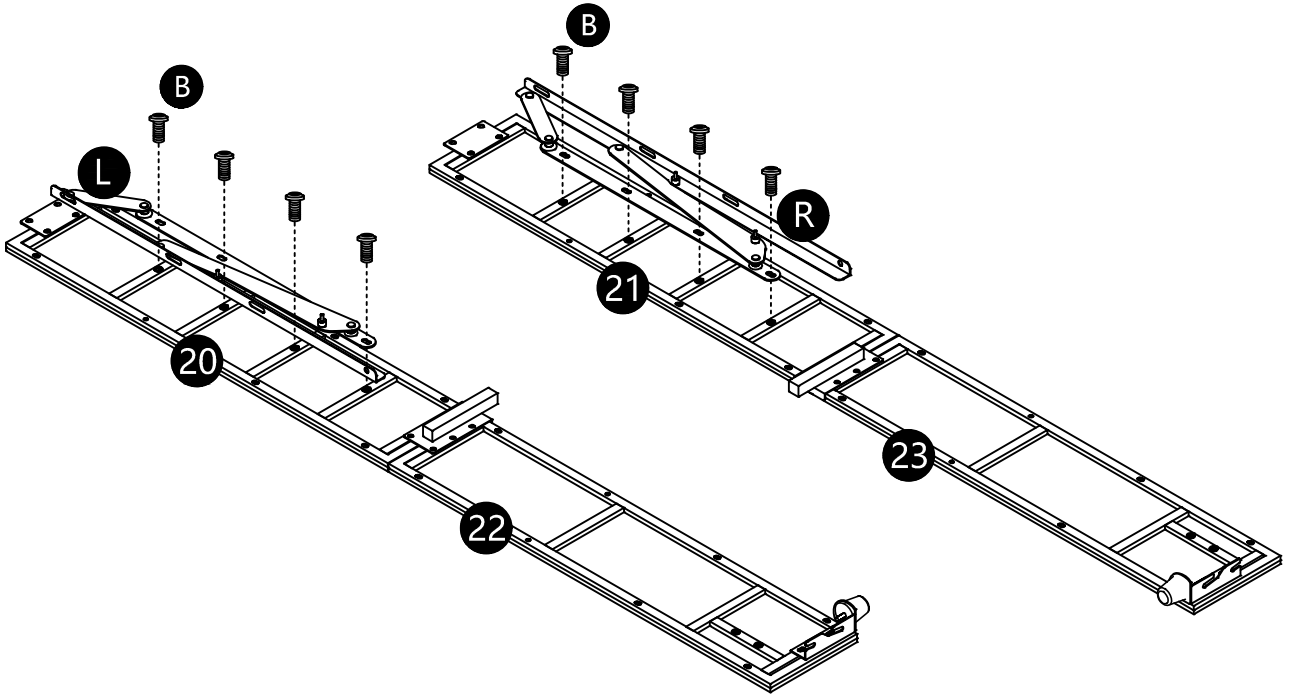
M8  
SX1pc



# 29

M8X15  
BX8pcs

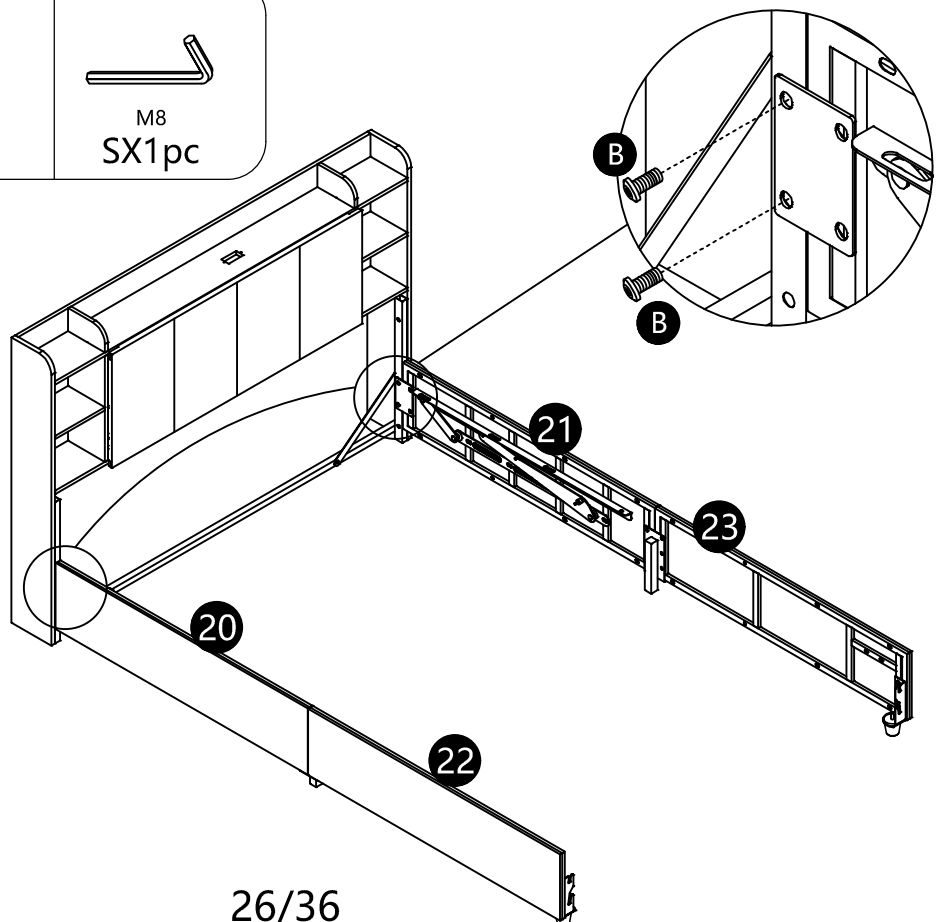
M8  
SX1pc



# 30

M8X15  
BX4pcs

M8  
SX1pc



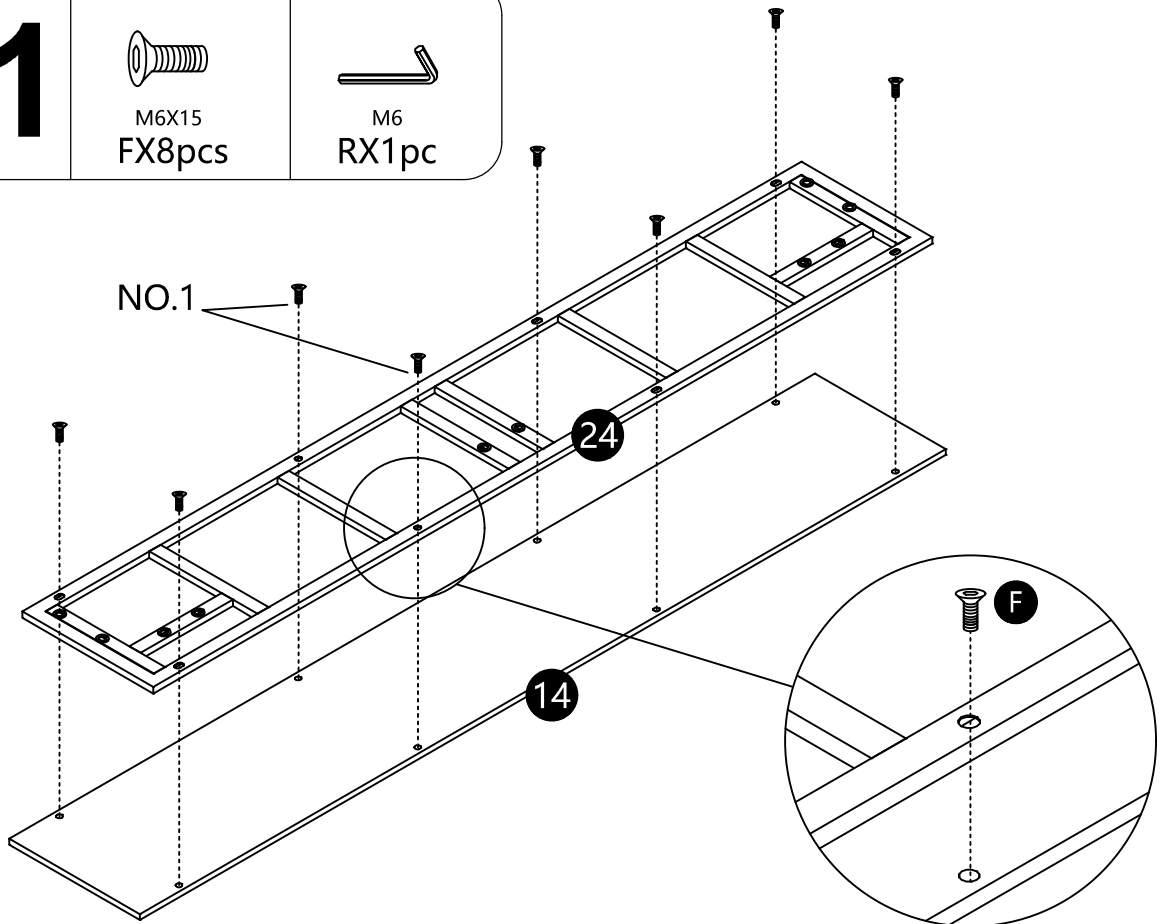
# 31



M6X15  
FX8pcs



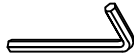
M6  
RX1pc



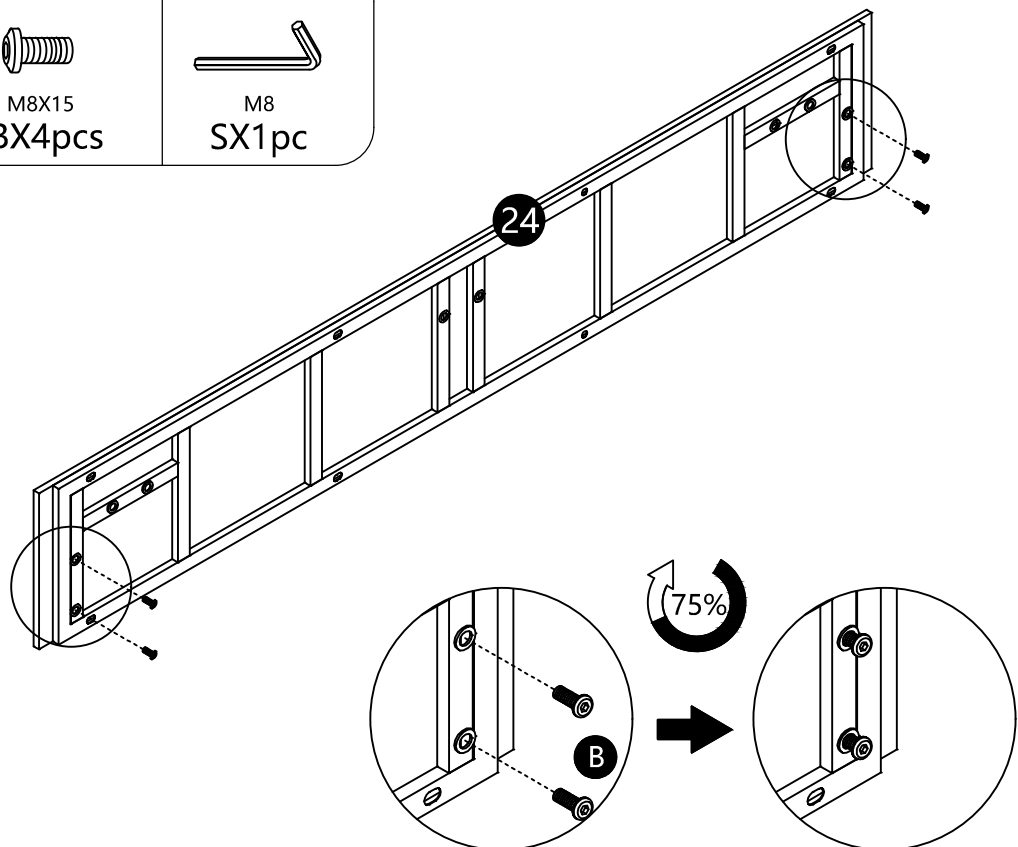
# 32



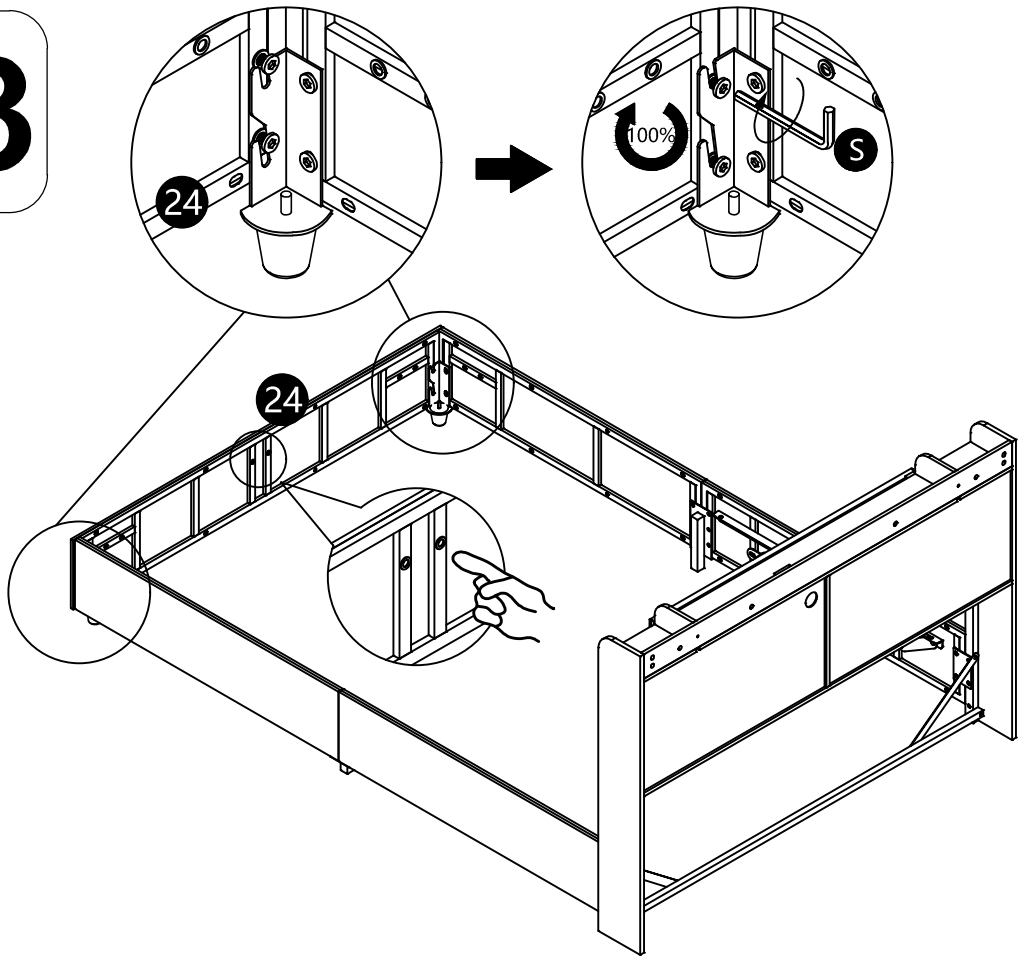
M8X15  
BX4pcs



M8  
SX1pc



# 33



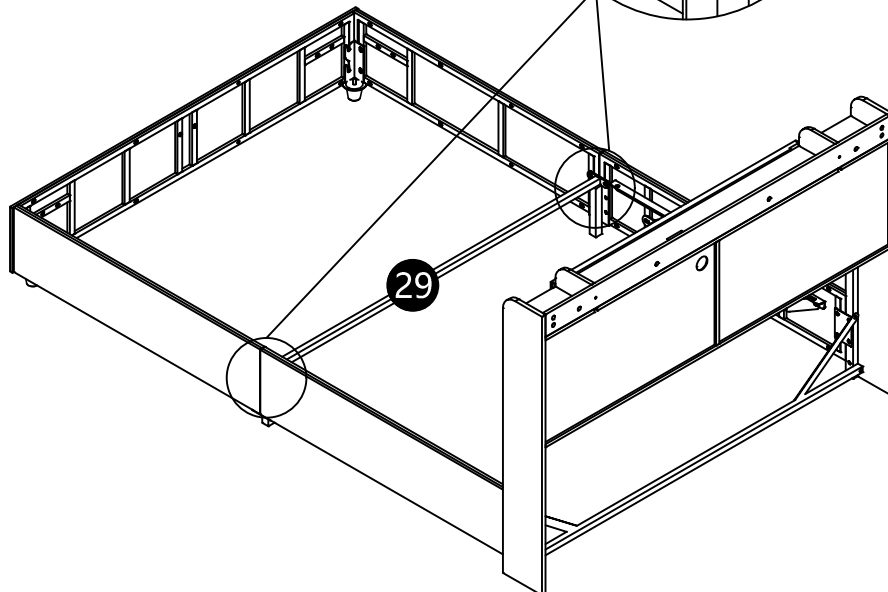
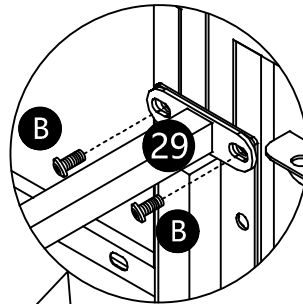
# 34



M8X15  
BX4pcs



M8  
SX1pc



# 35



M8X15  
BX8pcs



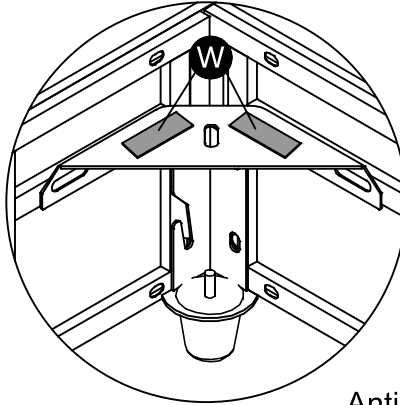
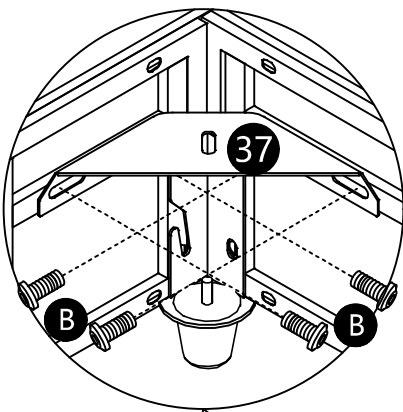
M8X35  
DX2pcs



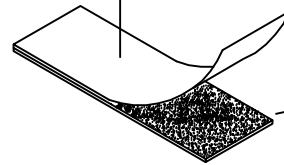
M8  
SX1pc



WX4pcs

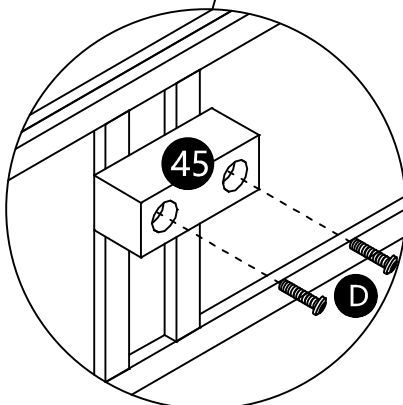
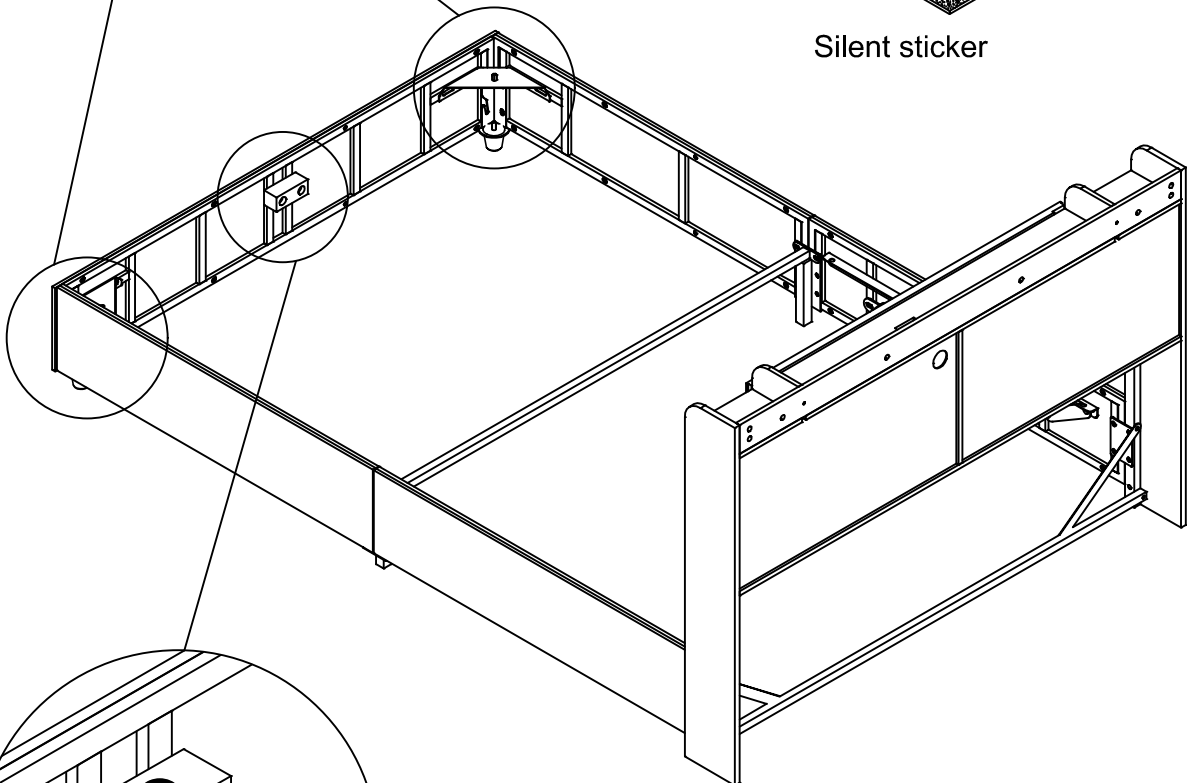


Anti stick  
paper



silent sticker

Silent sticker



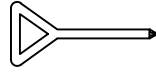
# 36



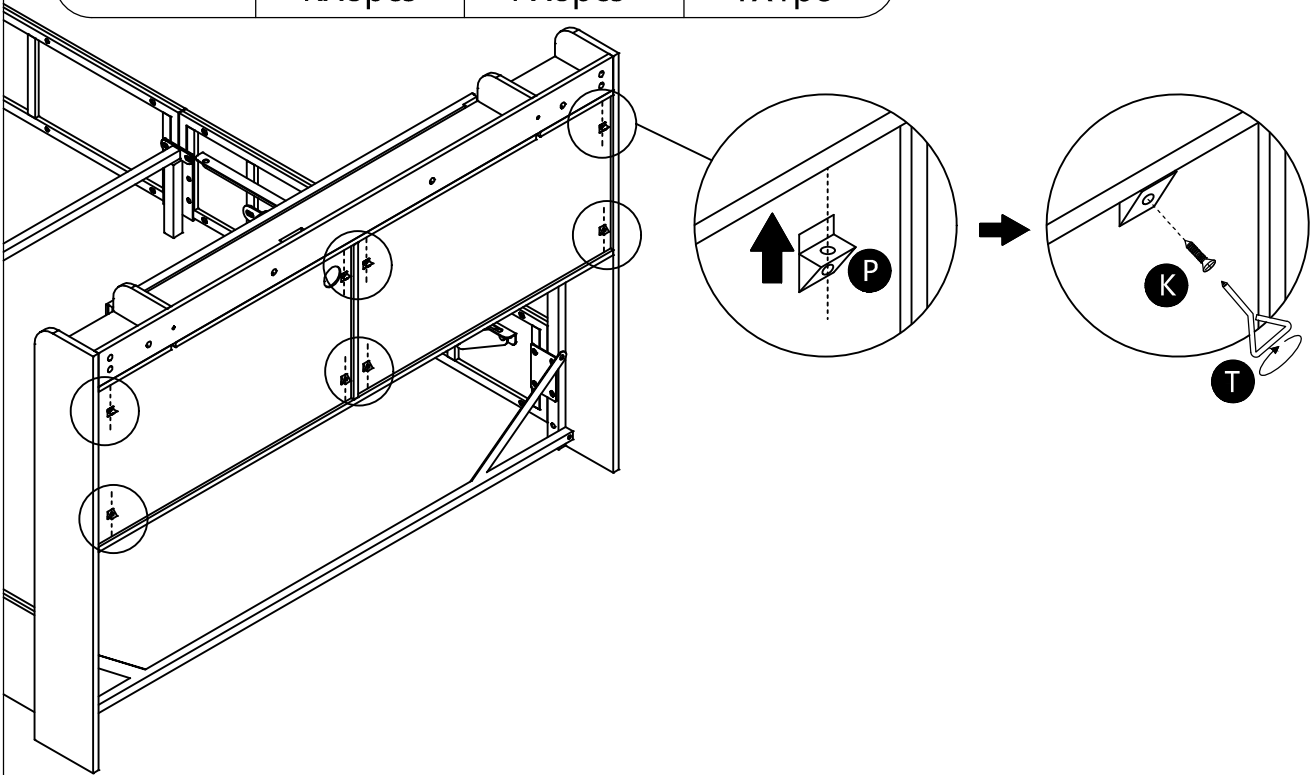
M3\*16  
KX8pcs



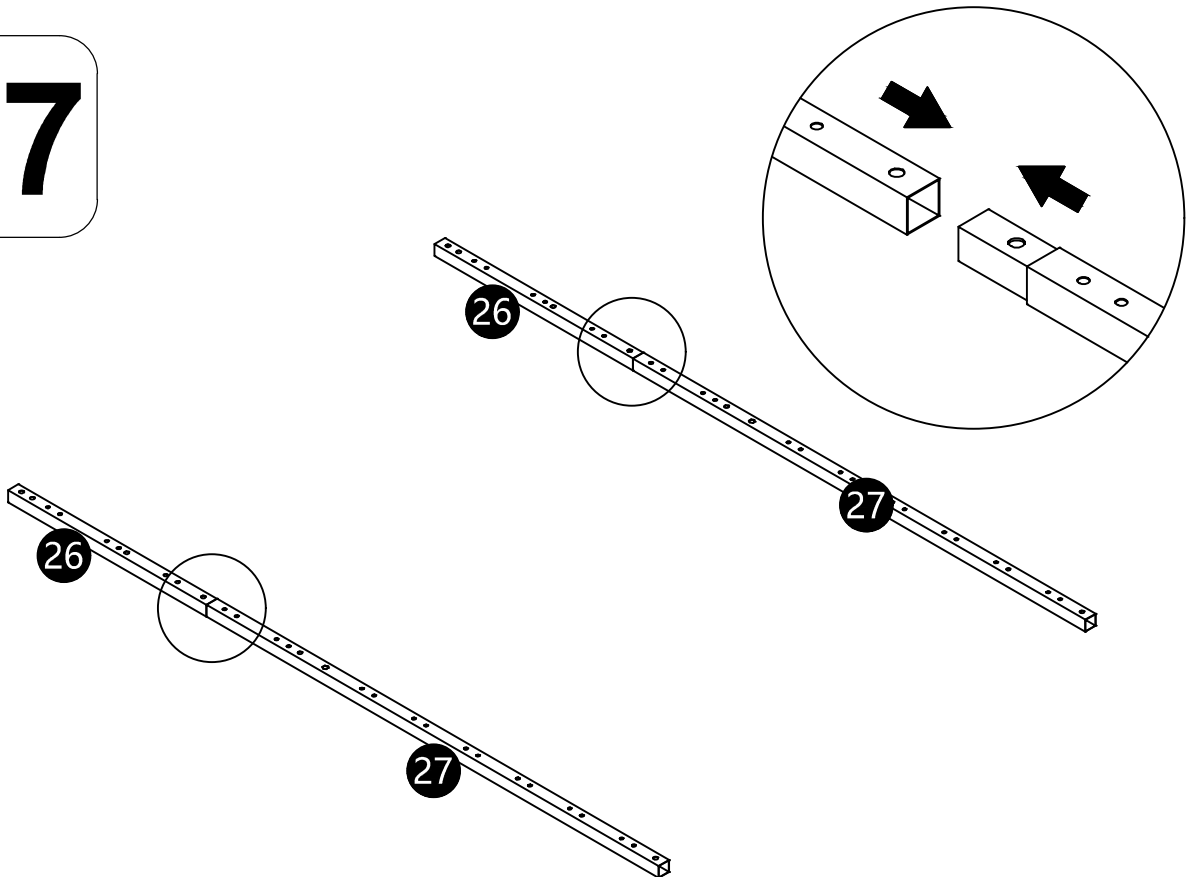
PX8pcs



TX1pc



# 37



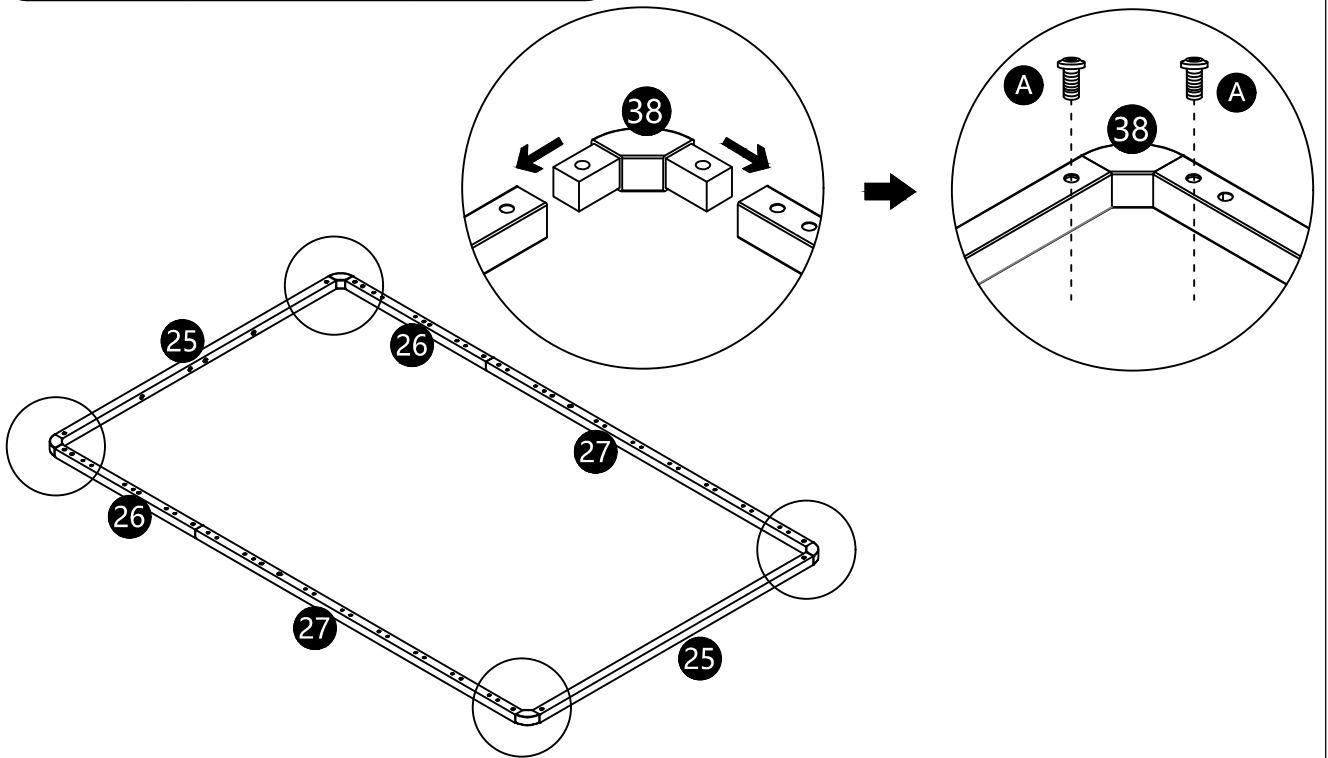
# 38



M8X12  
AX8pcs



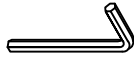
M8  
SX1pc



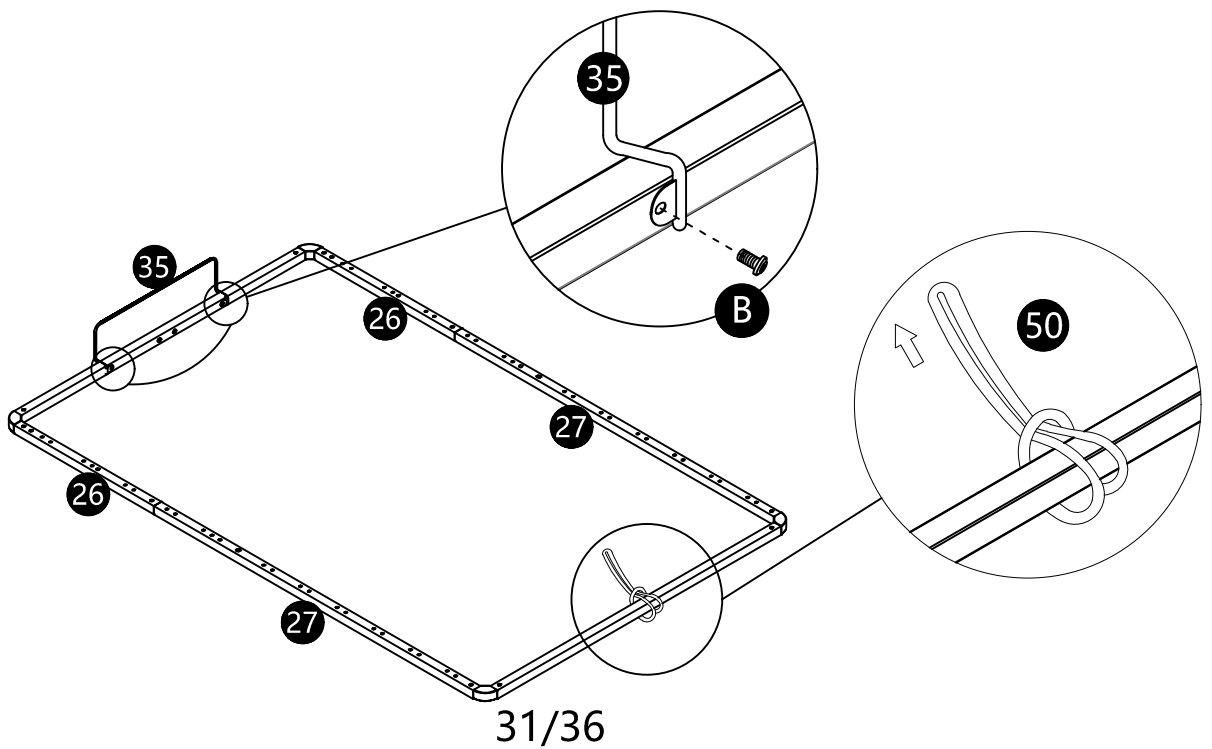
# 39



M8X15  
BX2pcs



M8  
SX1pc



# 40



M8X45  
EX2pcs



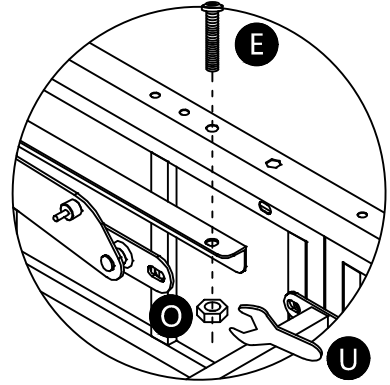
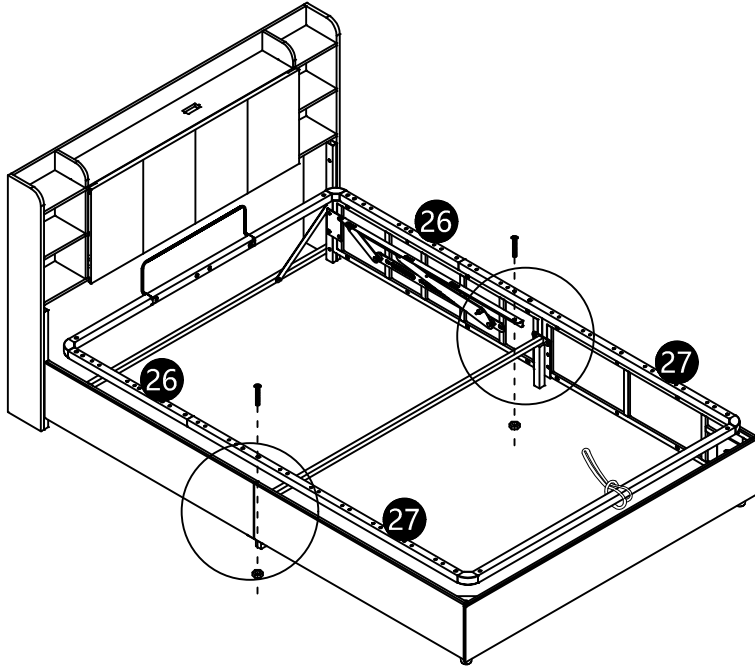
M8  
SX1pc



M8  
OX2pcs



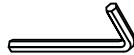
UX1pc



# 41



M8X45  
EX6pcs



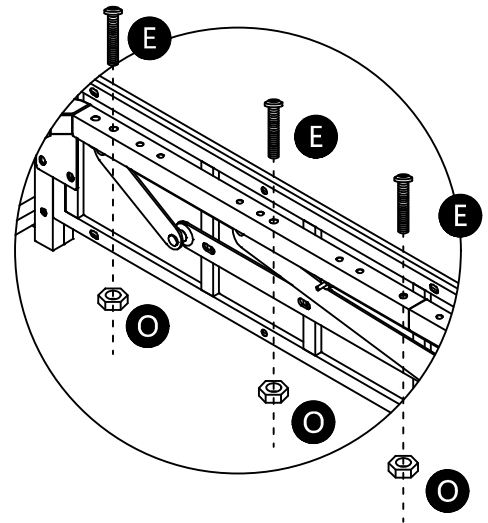
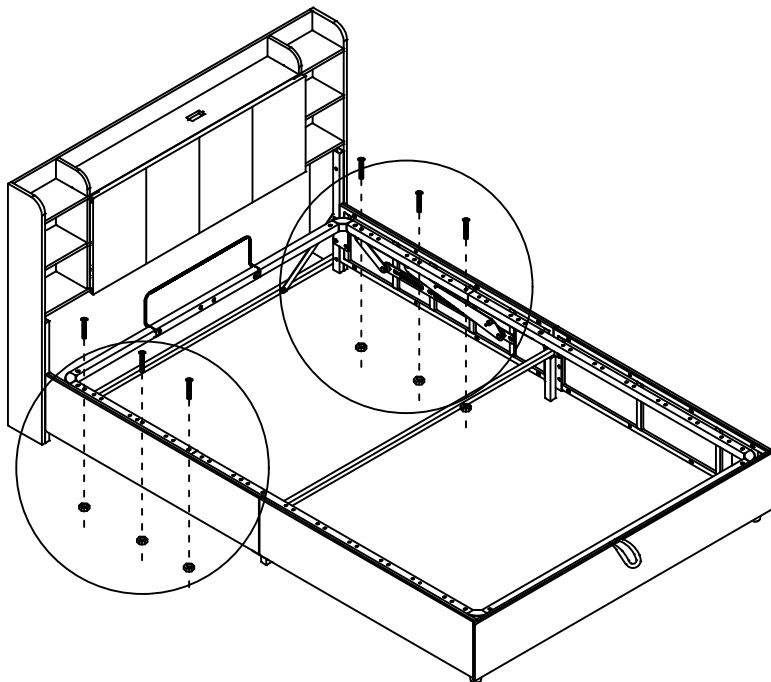
M8  
SX1pc



M8  
OX6pcs



UX1pc



# 42



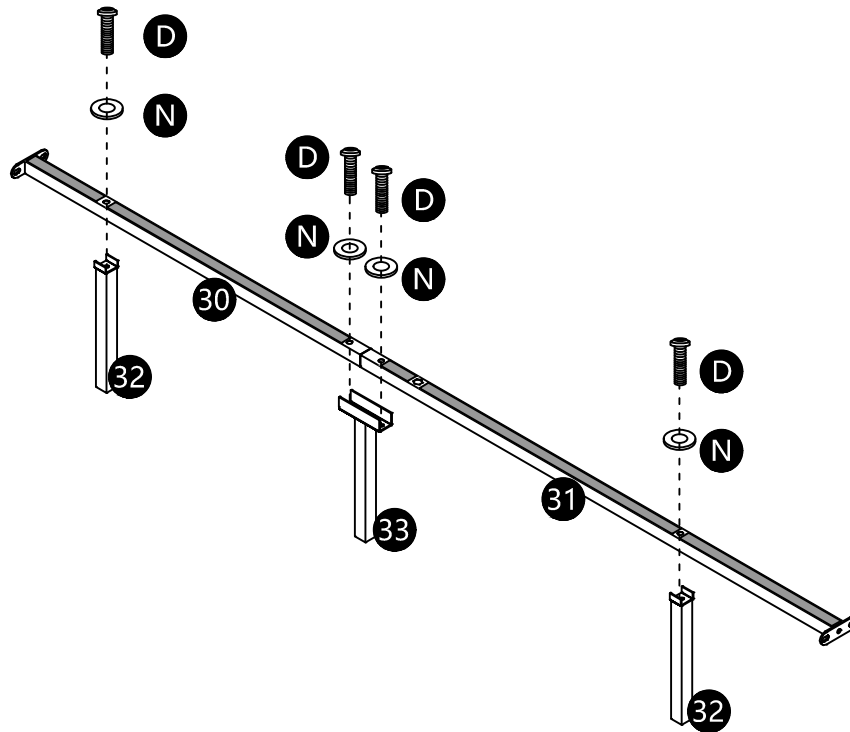
M8x35  
DX4pcs



M8\*Ø22  
NX4pcs



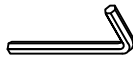
M8  
SX1pc



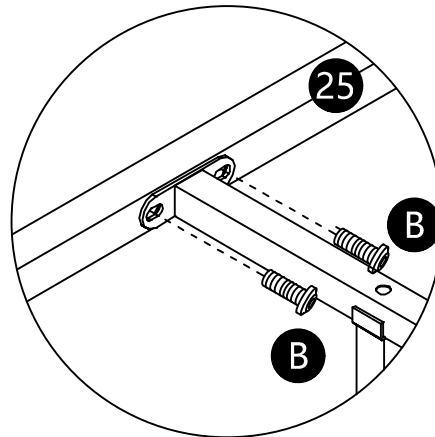
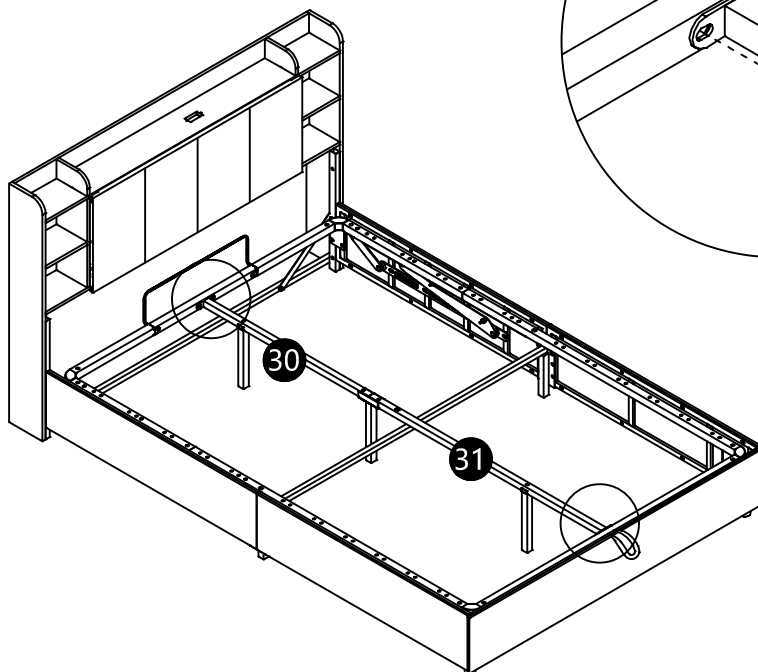
# 43



M8x15  
BX4pcs



M8  
SX1pc



33/36

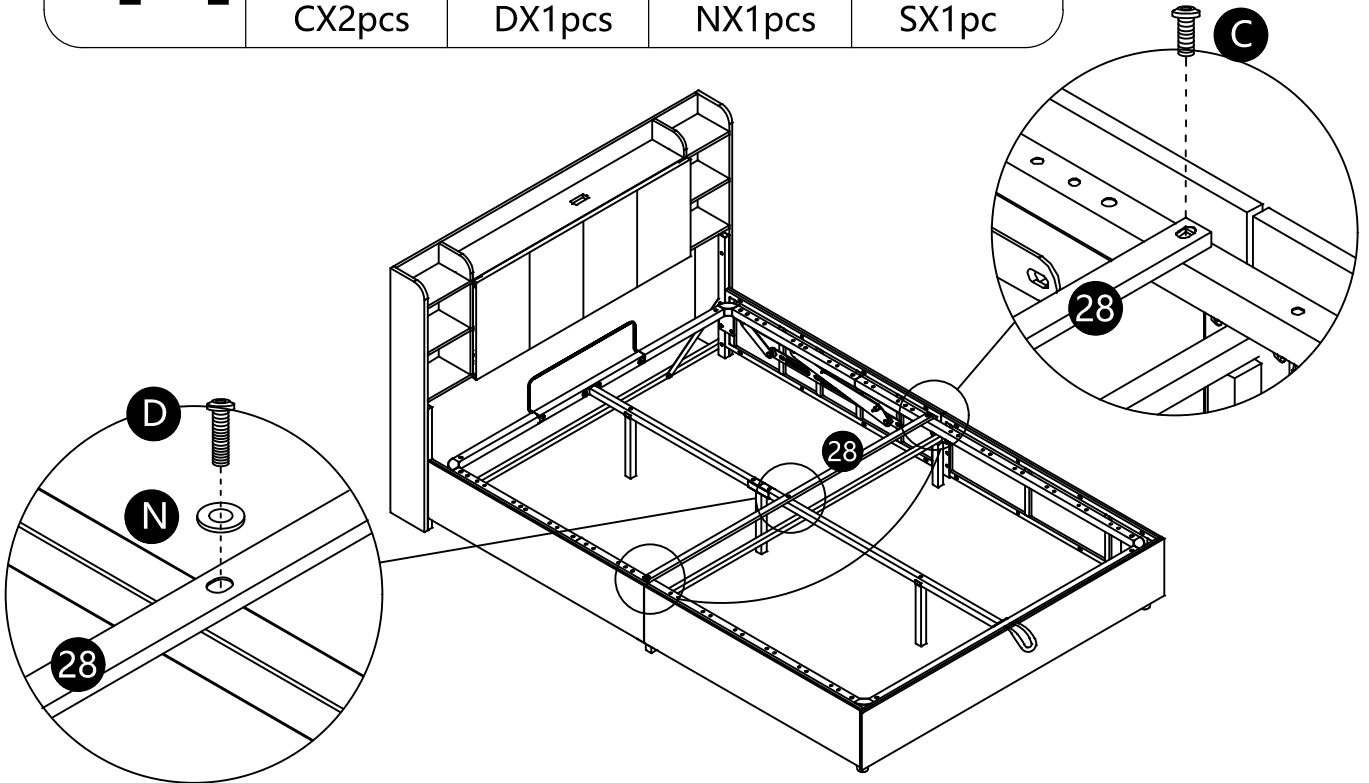
# 44

M8\*25  
CX2pcs

M8\*35  
DX1pcs

M8\*Ø22  
NX1pcs

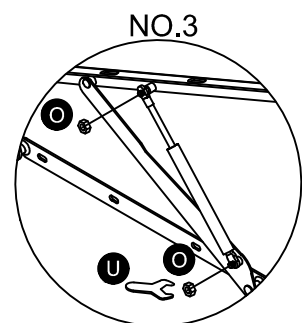
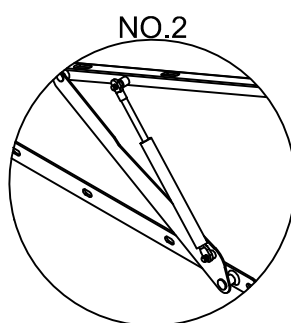
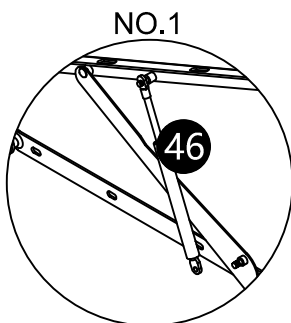
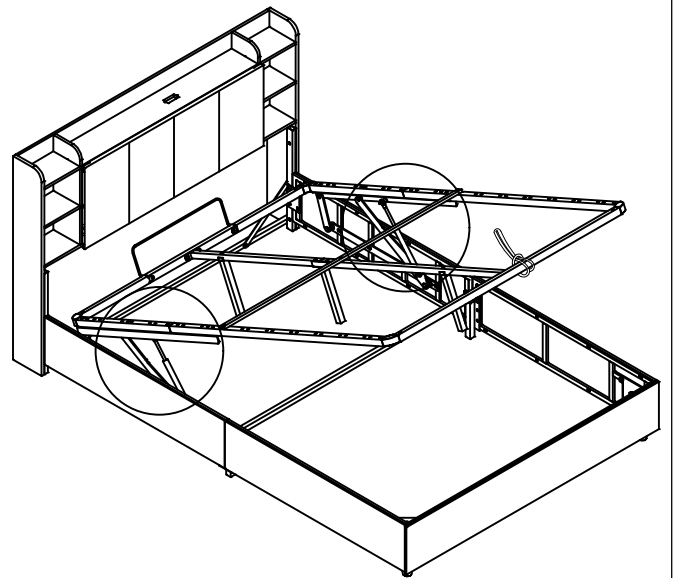
M8  
SX1pc



# 45

M8  
OX4pcs

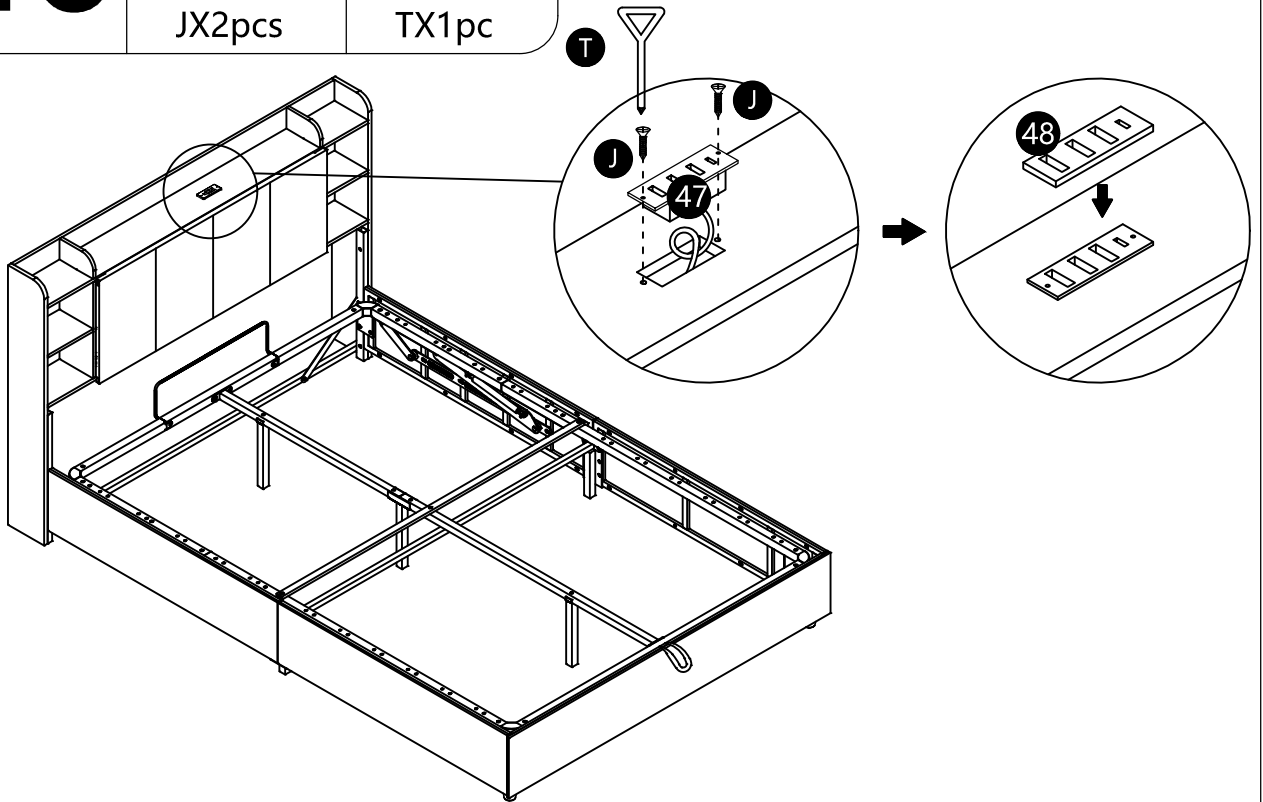
UX1pc



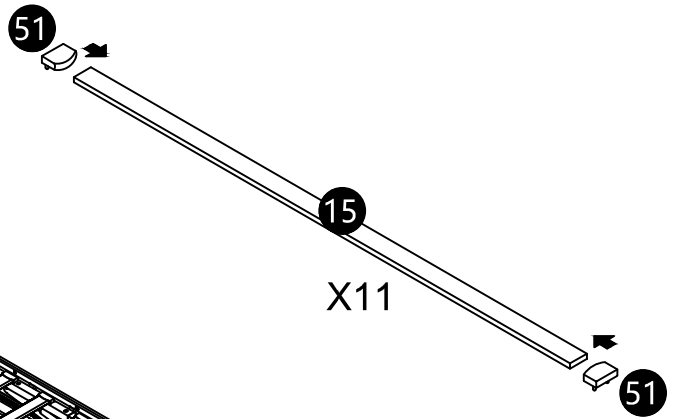
# 46

M3\*12  
JX2pcs

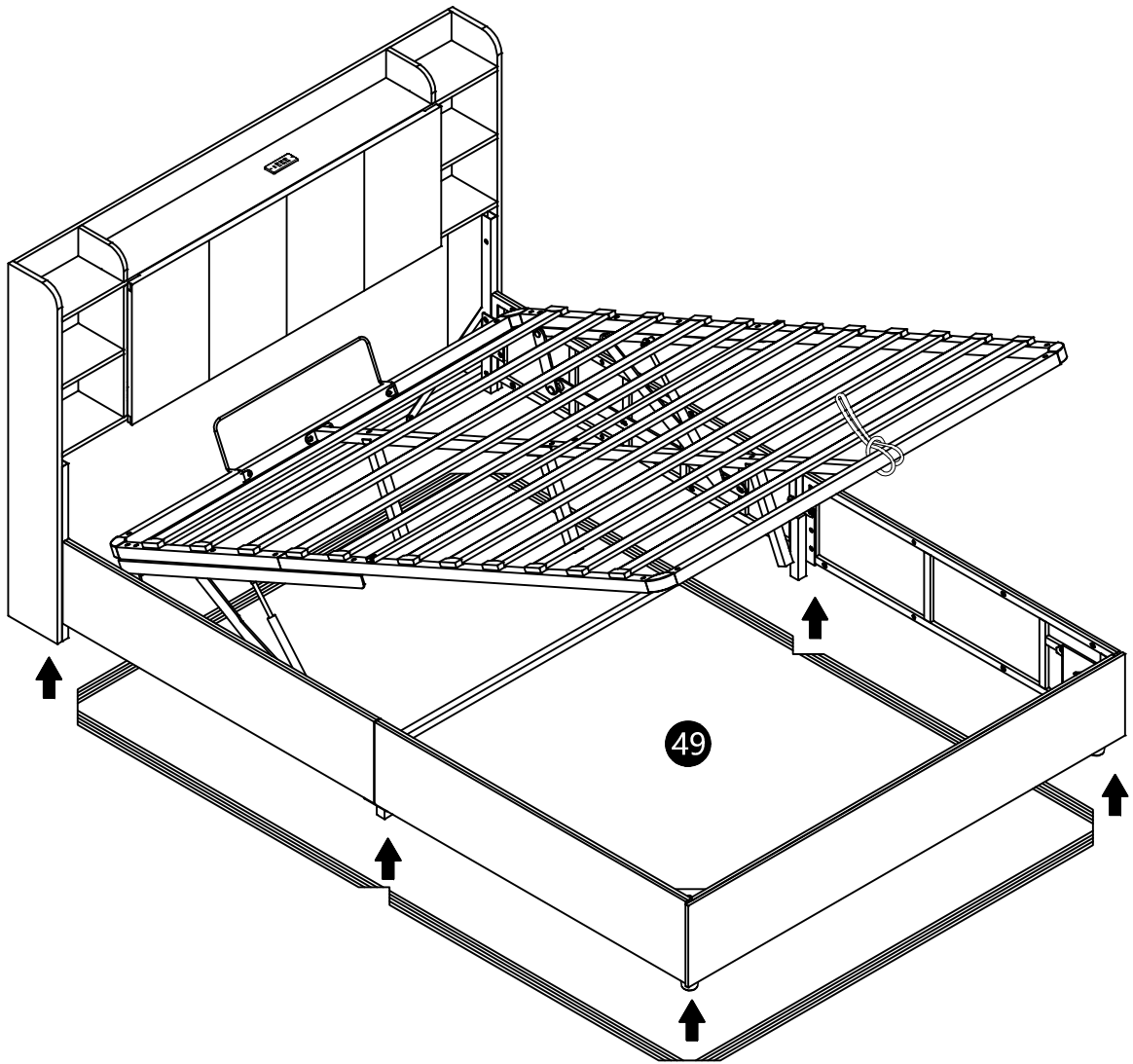
TX1pc



# 47



48



**NOTE:**The battery in the remote control requires you to purchase and install it yourself.  
**Model:CR2025 3.V**





KeySense Testing & Certification International Co., Ltd.  
 1-3F, Lab Building, No.29 District, Zhongkai Hi-Tech  
 Industrial Development Park, Huizhou, Guangdong,  
 China

Tel:0752-3219929  
 Fax:0752-3219929  
<http://www.kst-cert.com>

# Technical Compliance Statement

Certificate No.: KST240304L008Q01

Report No.: KST240304L008Q01

The following product has been tested by us with the listed standards and found in Compliance with the council LVD directive 2014/35/EU. It is demonstrative for the Compliance with this LVD Directive.

**Holder:** DONGGUAN BAIYOU ELECTRONIC CO LTD  
**Address:** 2F A Building, Wufeng Industrial, Jintan Road, Danwu Shijie Town, Dongguan, Guangdong  
**Product:** USB CHARGER  
**Model Name:** BY213-TD04-C  
**Trade Name:** N/A

Test Standard	
EN 62368-1:2014+A11:2017	Audio/video, information and communication technology equipment Part 1: safety requirements



Signature: 

Name:

Tony Xu

Position:

General Manager

Date:

Apr. 26, 2024



The statement is based on single evaluation of one sample of above mentioned product. It does not imply an assessment of the whole production and does not permit the use of the test lab. Logo.

# Verification of Compliance

Verification No.:	MK23020083-P01E01
Name and address of Applicant:	<b>Shenzhen Hongzhengyu Technology Co., LTD</b> Shenzhen baoan district rock street industrial science and technology industrial park of 2 Haitian lanyu 3 5 floor of A
Name and address of Manufacturer:	<b>Shenzhen Hongzhengyu Technology Co., LTD</b> Shenzhen baoan district rock street industrial science and technology industrial park of 2 Haitian lanyu 3 5 floor of A
Product name:	<b>Lamp strip</b>
Rated:	5V --- 1A HZY-2835-120D-12V, HZY-2835-30D-5V, HZY-2835-60D-5V, HZY-2835-120D-5V, HZY-2835-60D-12V, HZY-2835-60D-24V, HZY-2835-120D-24V, HZY-2835RGB-60D-5V, HZY-2835RGB-60D-12V, HZY-5050-30D-5V, HZY-5050-60D-5V, HZY-5050-30D-12V, HZY-5050-60D-12V, HZY-5050-60D-24V, HZY-5050RGB-30D-5V, HZY-5050RGB-60D-5V, HZY-5050RGB-30D-12V, HZY-5050RGB-60D-12V, HZY-5050RGB-60D-24V
Product model(s):	
Product trademark:	N/A

This verification confirms that the product meets the requirements of the following standard.

The conformity was demonstrated based on following standard(s) listed by European Commission as harmonized with EMC Directive 2014/30/EU.

EN IEC 55015:2019+A11:2020  
IEC 61547:2020

*The verification has been carried out in accordance with individual rules and conditions agreed with the applicant. Evaluation has been carried out in accordance with:*

Test report(s) No.:	MK23020083-P01E01
Test conducted by:	TMC Testing Services (Shenzhen) Co., Ltd.
Verification issue date:	February 25, 2023

**Notes:**

*This verification refers to the above mentioned product and its conformity in regards of above mentioned standard(s) was proven on test sample.*

*This verification does not imply meeting all essential requirements, assessment of the series-production or any other restricted Notified Bodies conformity assessment procedure appropriate for the product.*

*This verification holder shall use this verification in connection to verification of conformity and technical data relevant for the product the verification was issued.*

**TMC Testing Services (Shenzhen) Co., Ltd.**

t:86-755-86642861 cert@tmc-lab.com www.tmc-lab.com

1st Floor, Block A1, Zone A, Xinshidai Gongrong Industrial Park, No. 2, Shihuan Road, Shiyuan Street, Baoan District, Shenzhen, China

