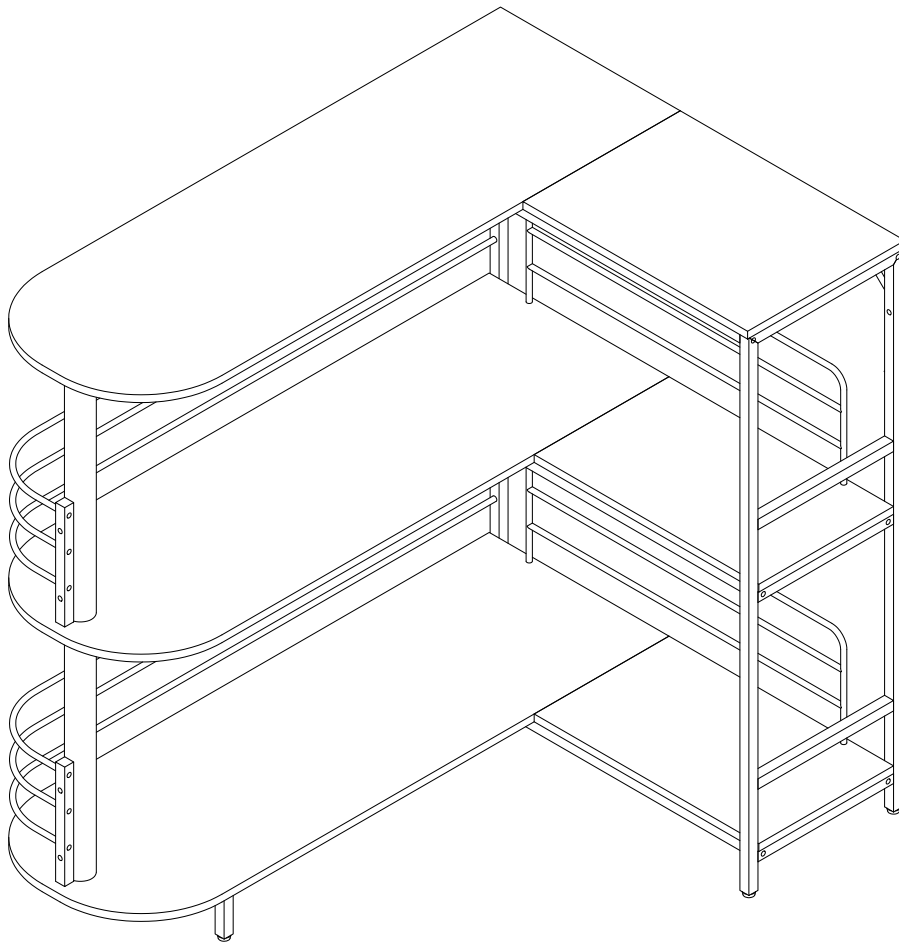


Assembly Instructions

Bar Table



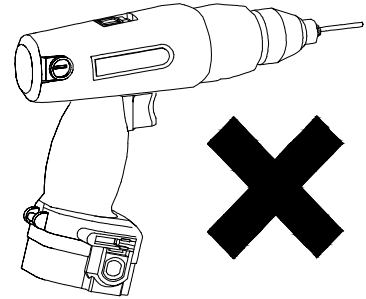
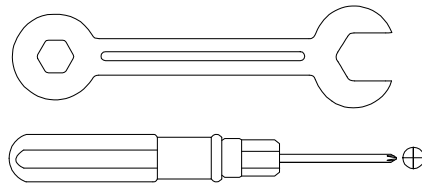
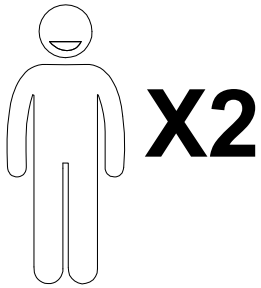
Contact Us

We're here to help you.

Your satisfaction is our top priority. If you encounter any issues with this product, such as missing or damaged parts, we're here to help. Please retain the original packaging and take photos of the packaging and the product, then contact us as soon as possible.

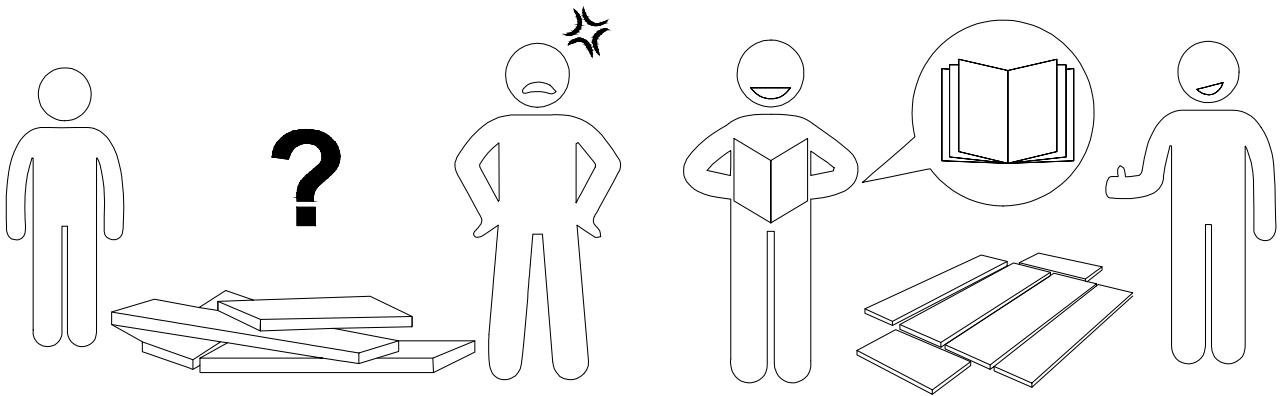
Warm Tips

1. Carefully read these instructions and keep them for future reference.
2. Check the parts list and confirm everything's there before starting assembly.
3. When assembling, put all parts on a soft, smooth surface like a carpet to avoid scratches.
4. Don't fully tighten screws until all parts are confirmed in place to avoid misalignment.



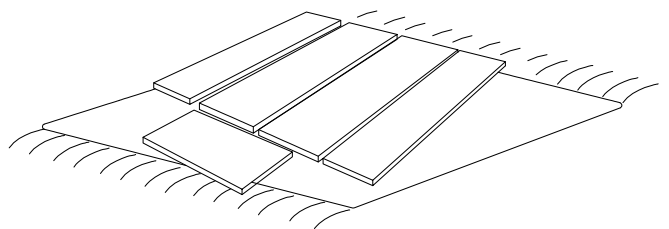
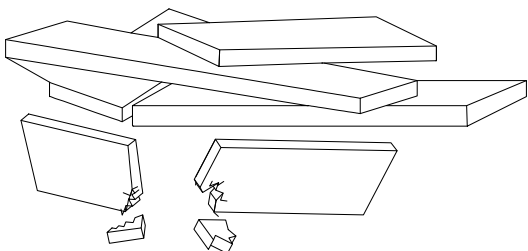
We recommend using hand tools for assembly.

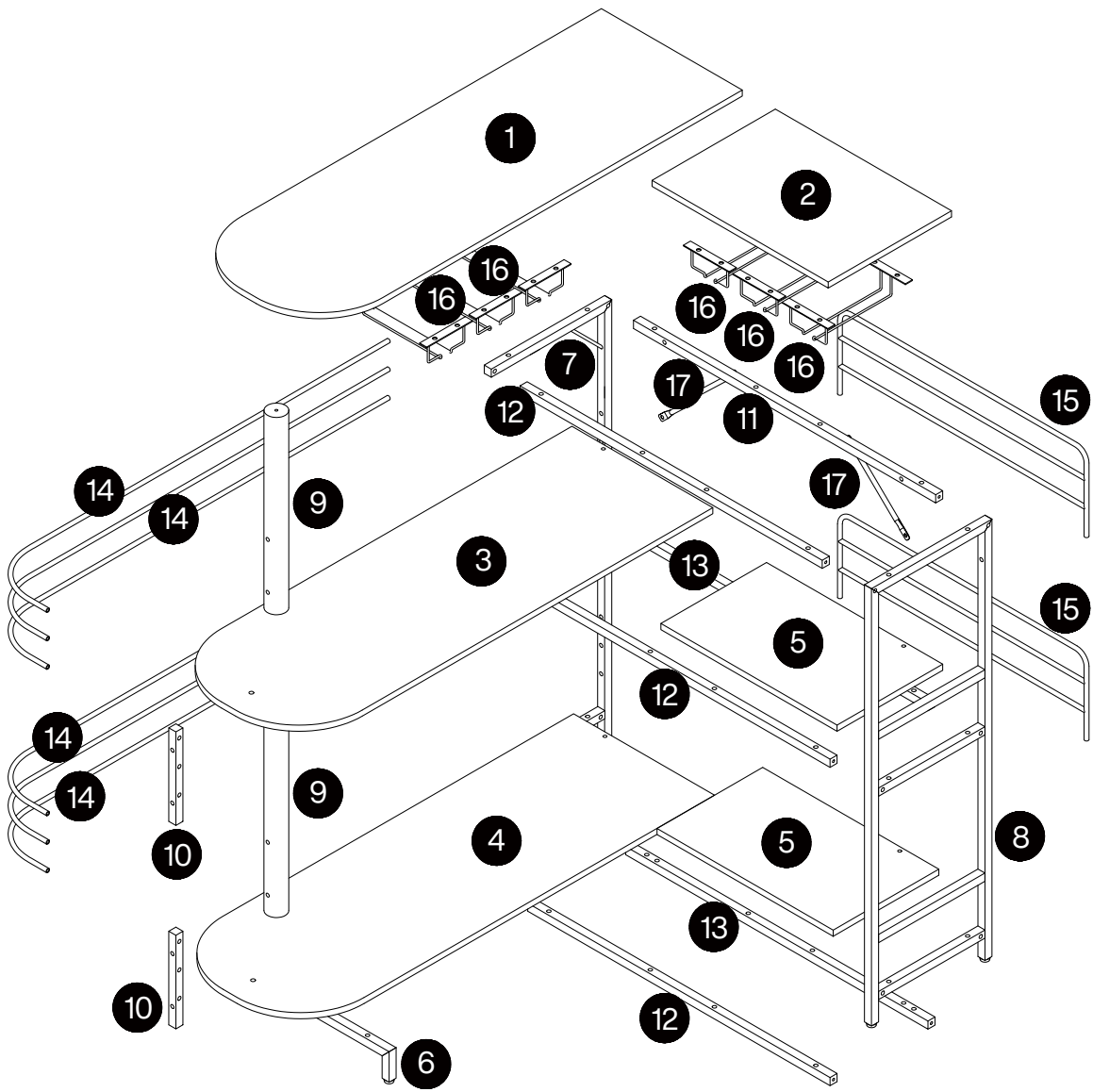
If an electric screwdriver is used, reduce power and torque to avoid damage to the product.



AVOID SCRATCHES

In order to avoid scratching, this furniture should be assembled on a soft surface, such as a rug.

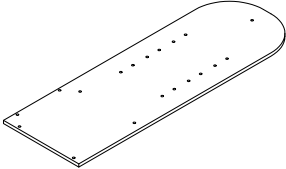
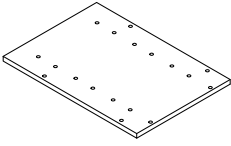
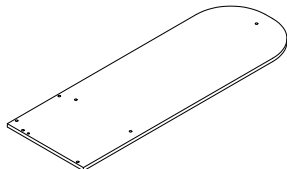
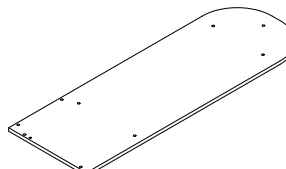
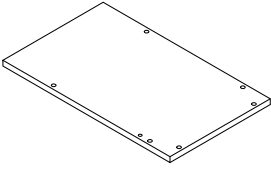
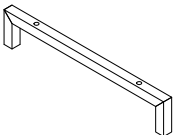
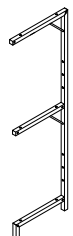
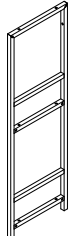

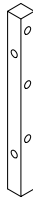
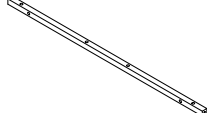
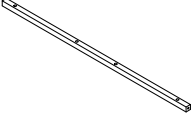
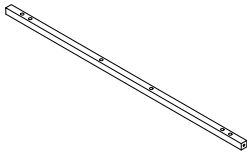
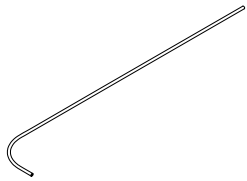
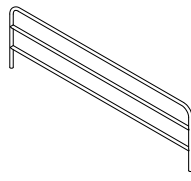
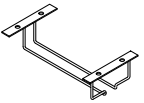
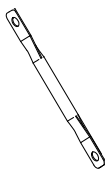






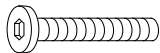
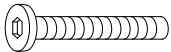
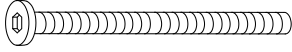
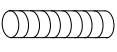
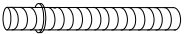
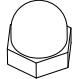
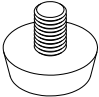

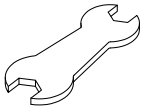
⚠ Caution

Make sure all parts are included. Most board parts are labeled or stamped on the raw edge. Contact us for a free replacement if you encounter any damaged or missing parts.

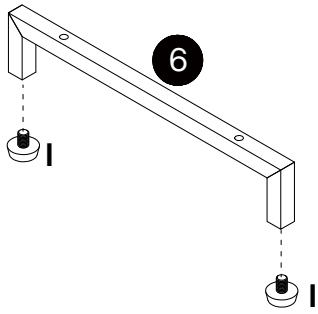
Parts List

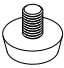
<p>1</p>  <p>1 pc</p>	<p>2</p>  <p>1 pc</p>	<p>3</p>  <p>1 pc</p>	<p>4</p>  <p>1 pc</p>
<p>5</p>  <p>2 pcs</p>	<p>6</p>  <p>1 pc</p>	<p>7</p>  <p>1 pc</p>	<p>8</p>  <p>1 pc</p>
<p>9</p>  <p>2 pcs</p>	<p>10</p>  <p>2 pcs</p>	<p>11</p>  <p>1 pc</p>	<p>12</p>  <p>3 pcs</p>
<p>13</p>  <p>2 pcs</p>	<p>14</p>  <p>6 pcs</p>	<p>15</p>  <p>2 pcs</p>	<p>16</p>  <p>6 pcs</p>
<p>17</p>  <p>2 pcs</p>			

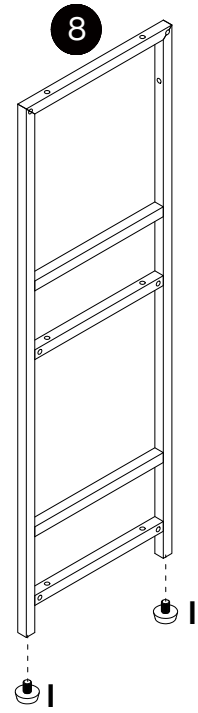
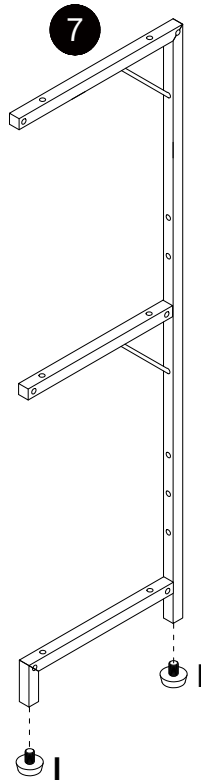
Hardware List

A	B	C
 M6x10mm	 M6x30mm	 M6x40mm
25 pcs	54 pcs	12 pcs
D	E	F
 M6x45mm	 M6x75mm	 M6x20mm
4 pcs	4 pcs	1 pc
G	H	I
 M6x55mm	 M6	 M8
1 pc	7 pcs	6 pcs
 M4	 	
1 pc	1 pc	


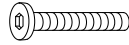
1

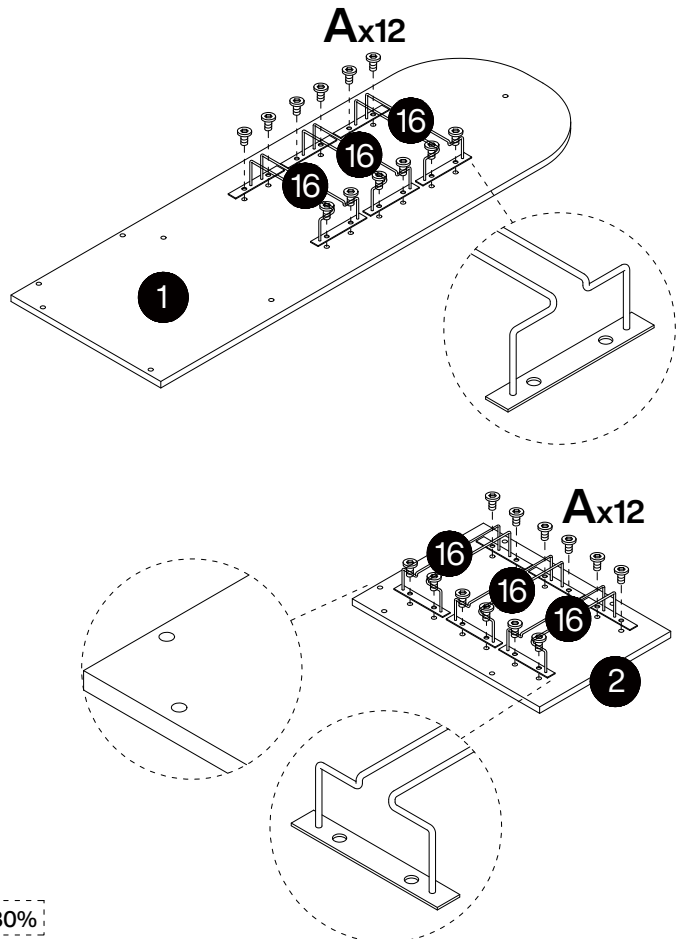
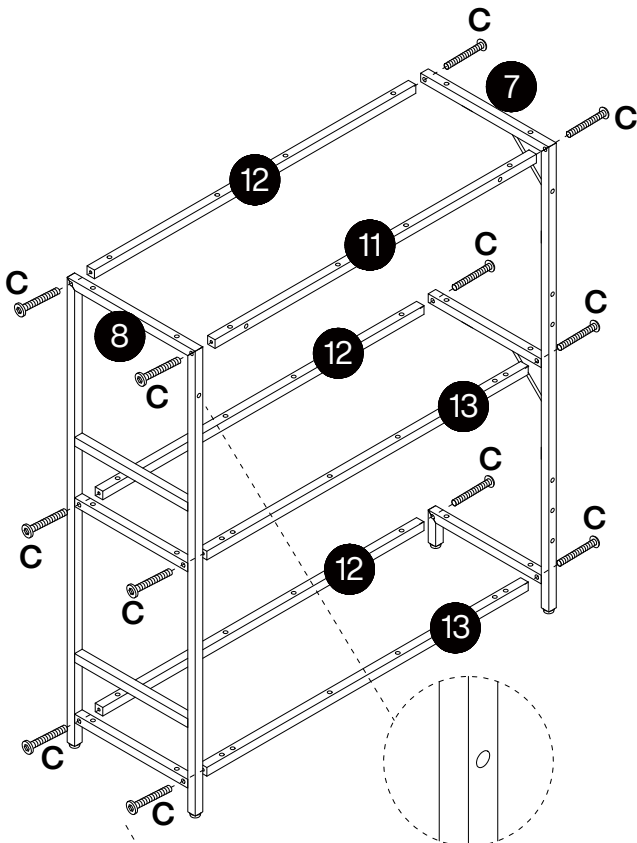


I

M8
6 pcs




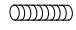
2

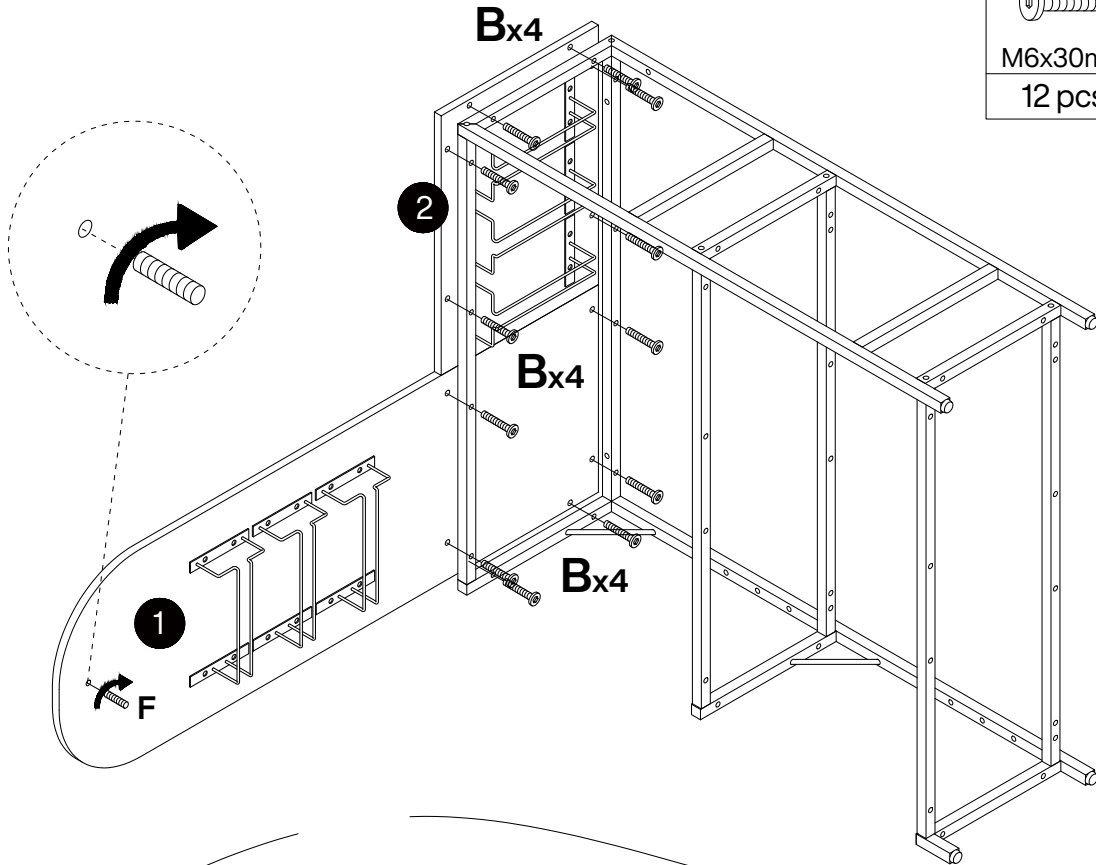
A	C
	
M6x10mm	M6x40mm
24 pcs	12 pcs



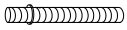
Be careful not to tighten the C screw, just screw it to 80%

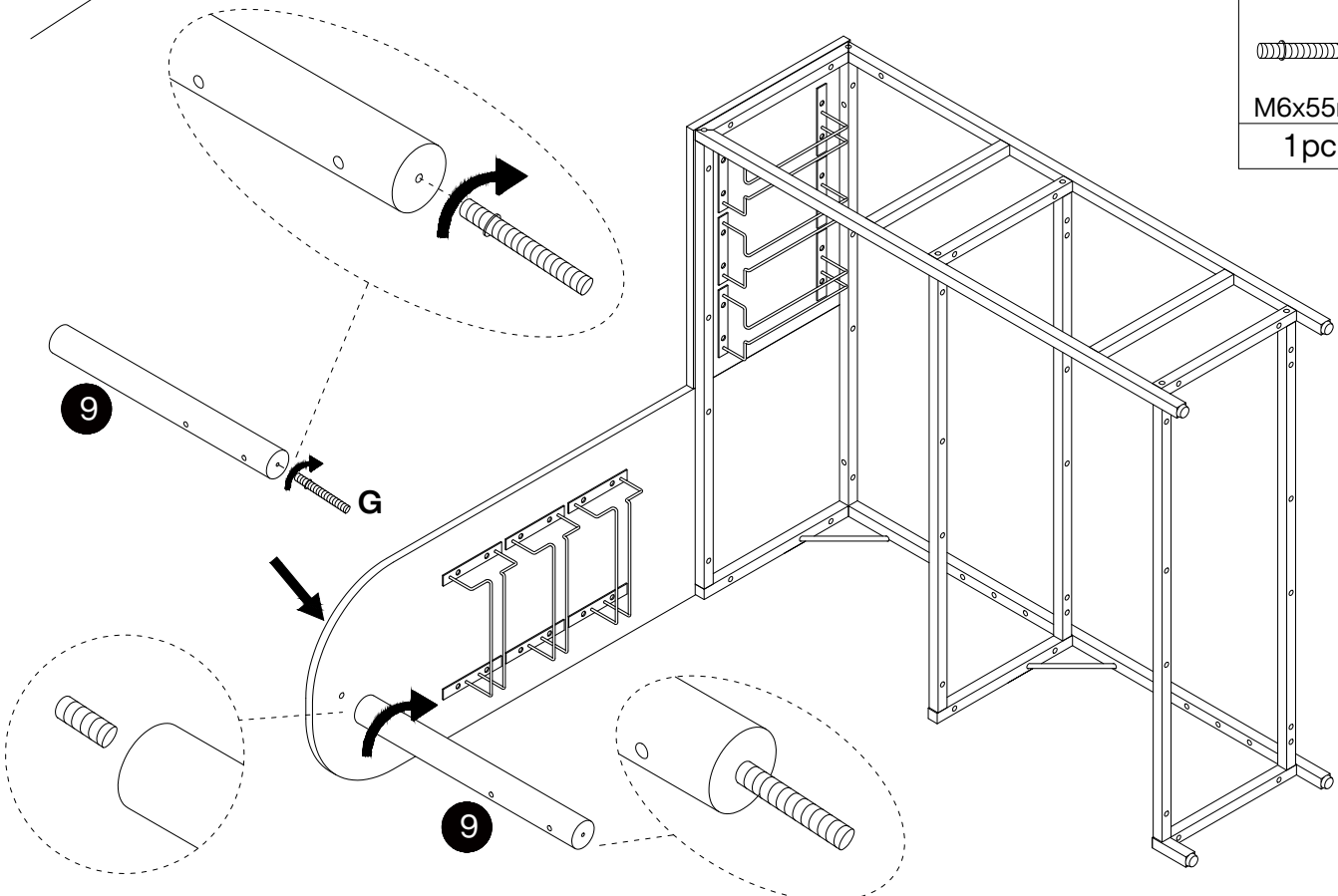
3

B	F
	
M6x30mm	M6x20mm
12 pcs	1 pc

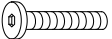


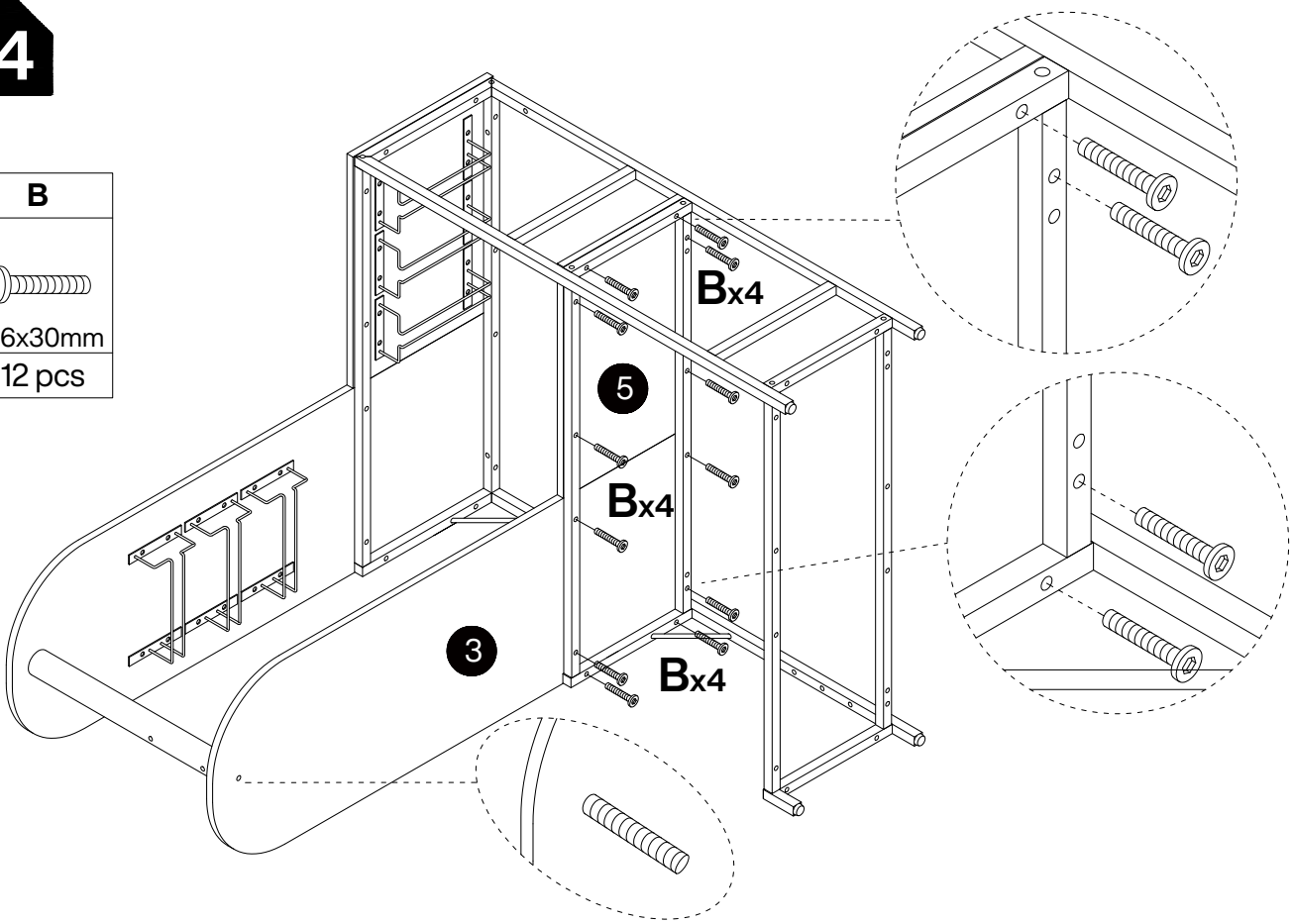
Note that this step is to tighten the shorter end of the M6*55 screw first

G

M6x55mm
1 pc

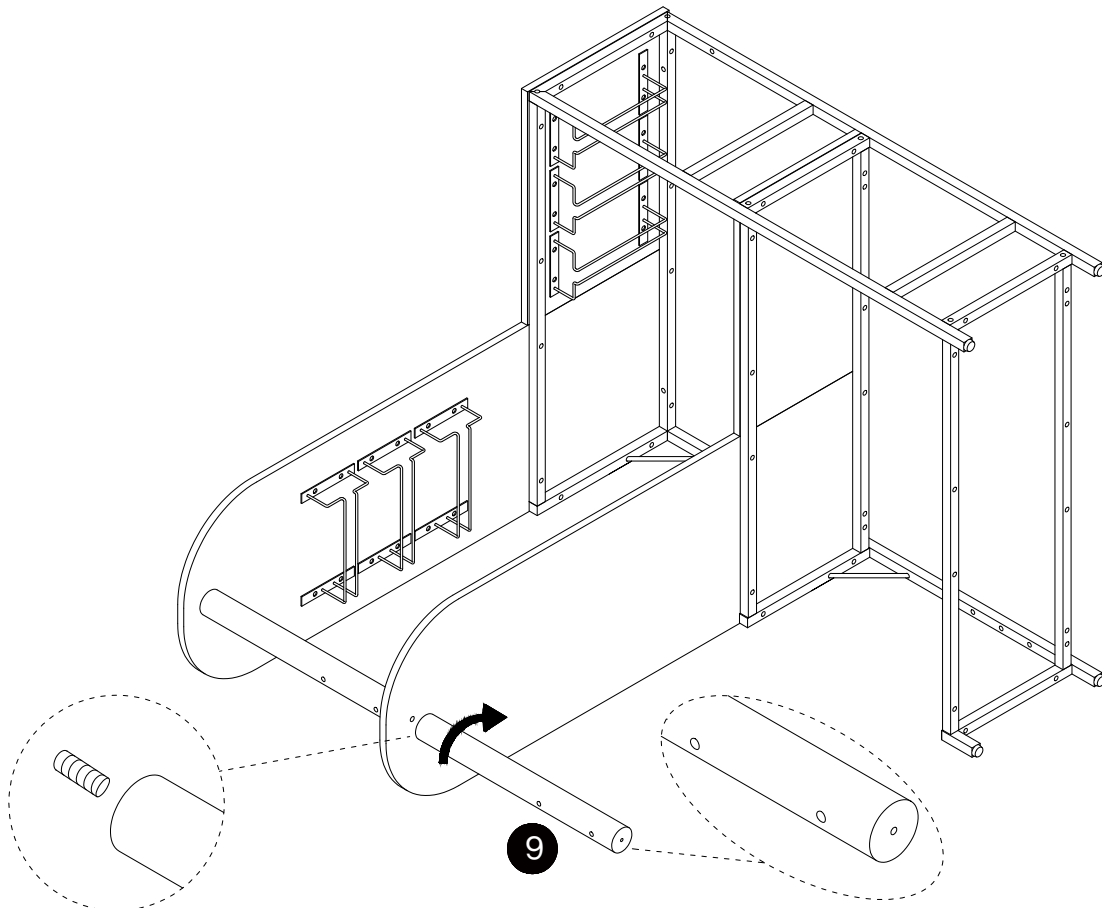


4

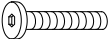
B

M6x30mm
12 pcs

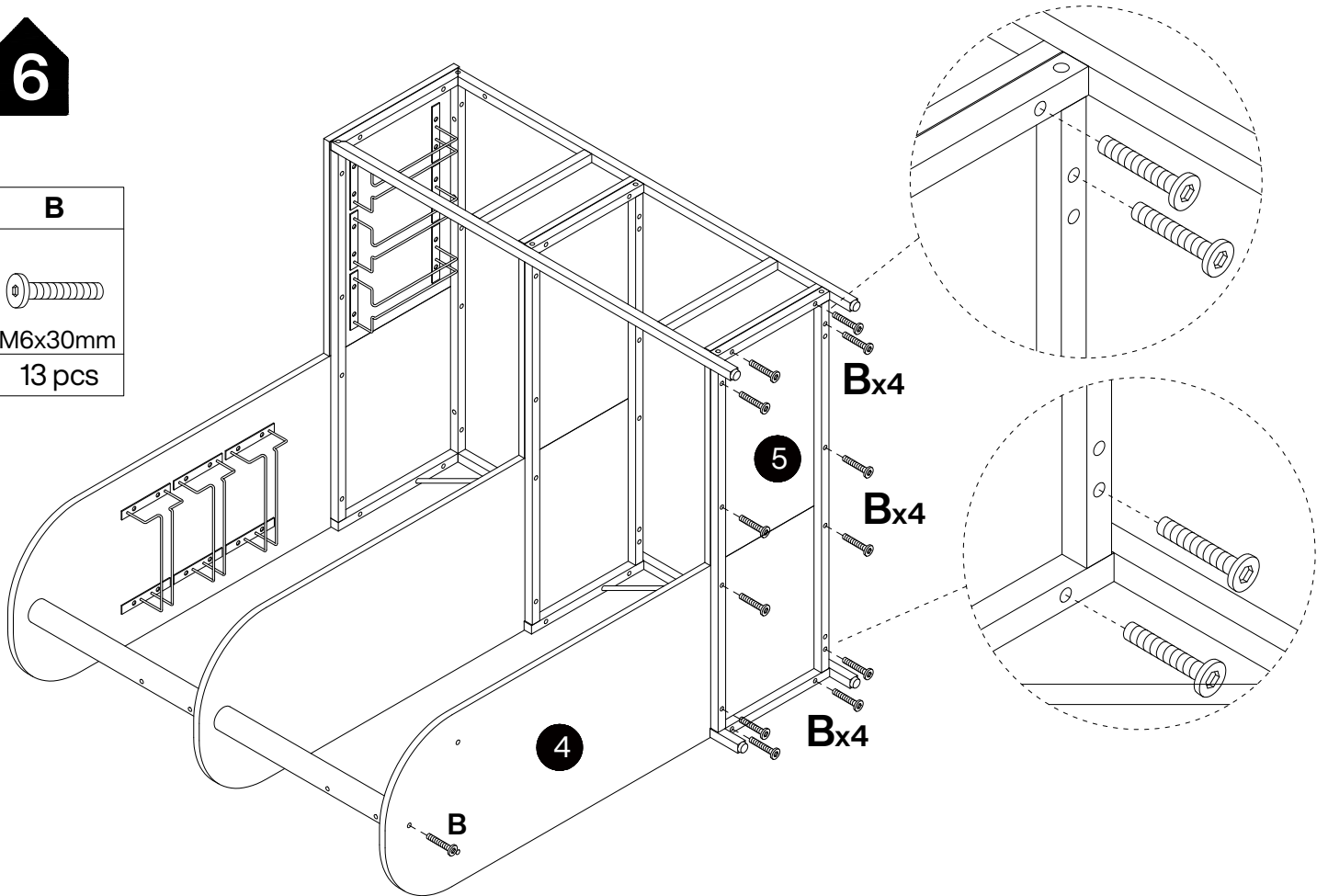


5

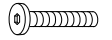


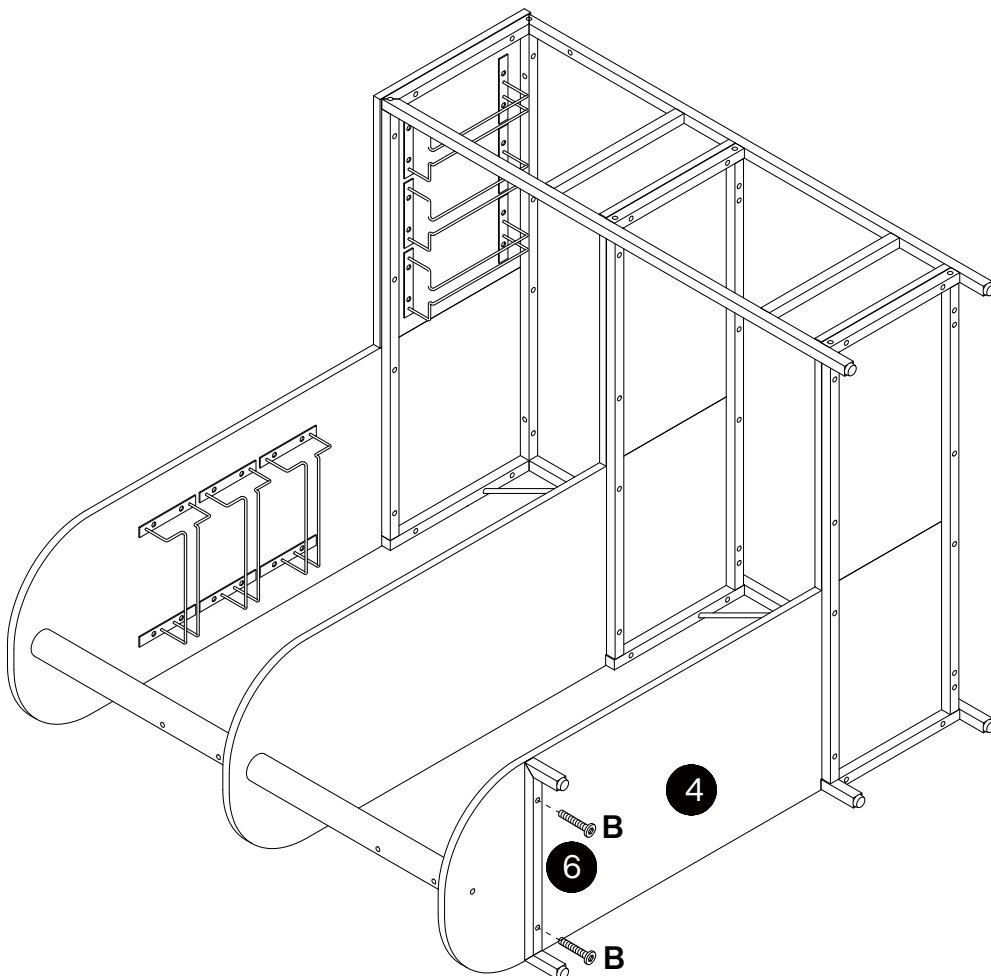
6

B

M6x30mm
13 pcs

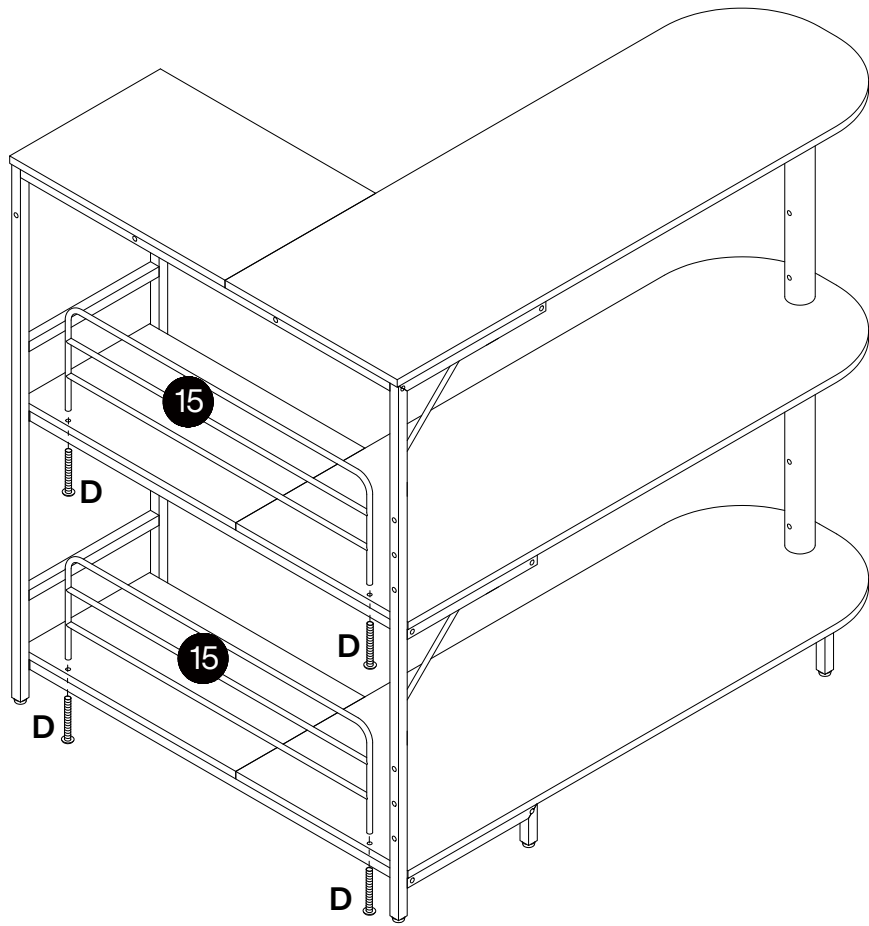


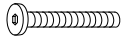
7

B

M6x30mm
2 pcs

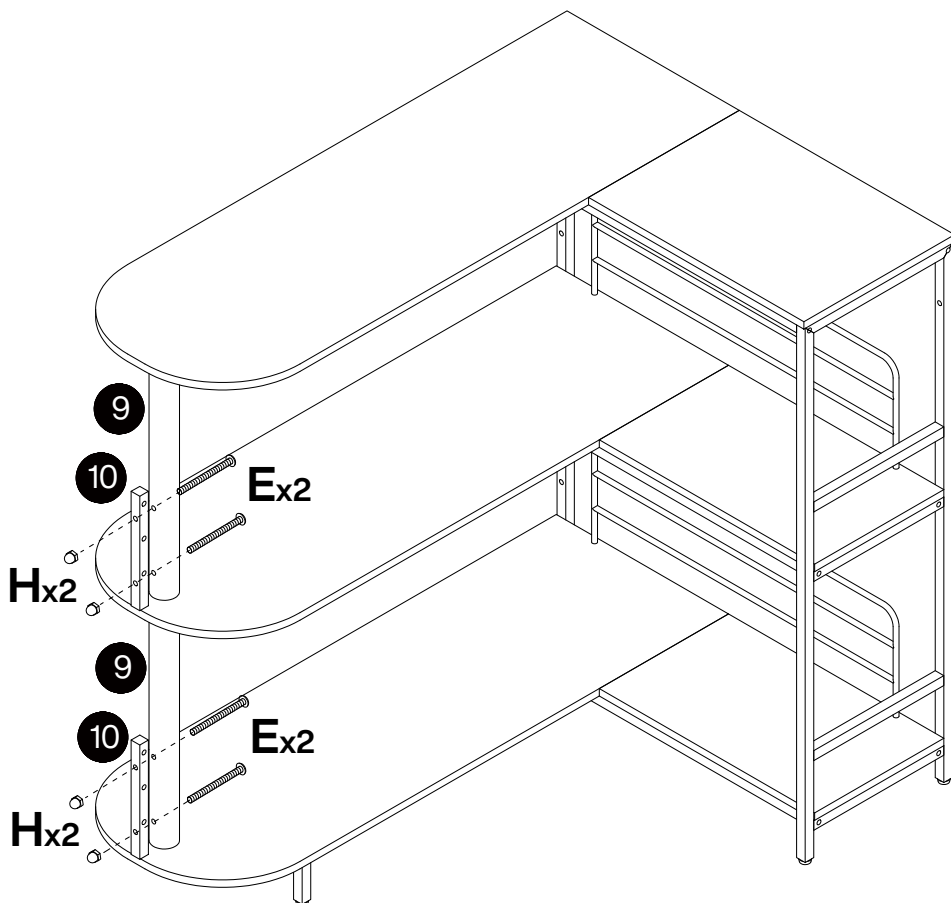




8



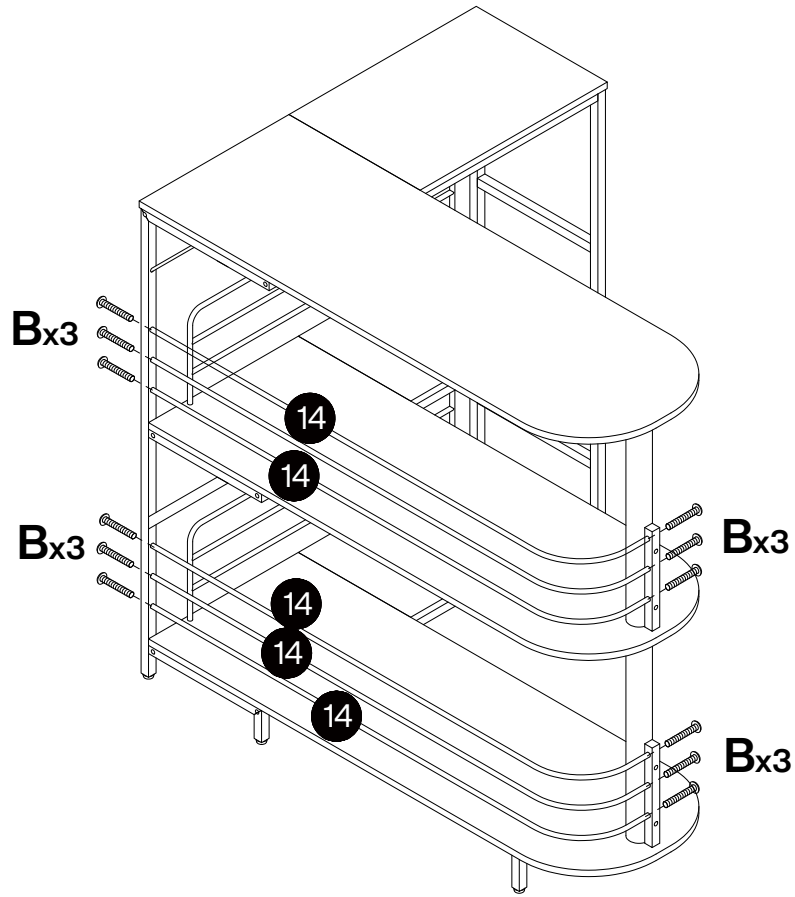
D

M6x45mm
4 pcs


9



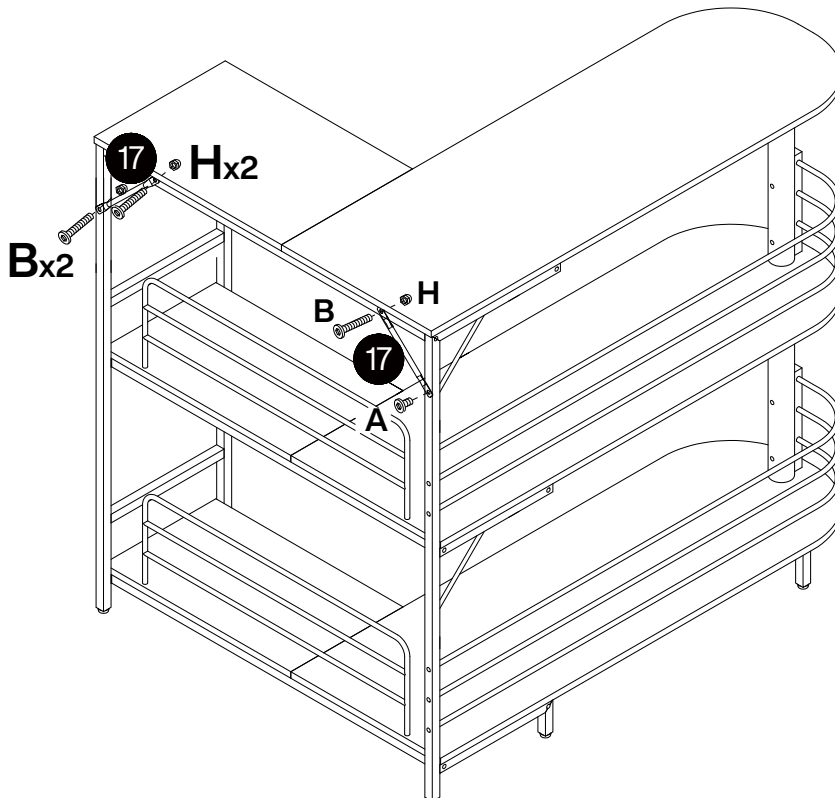
E

M6x75mm
4 pcs
H

M6
4 pcs

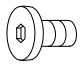


10



B

M6x30mm
12 pcs

11



A

M6x10mm
1 pc
B

M6x30mm
3 pcs
H

M6
3 pcs

Thank you for your support!

