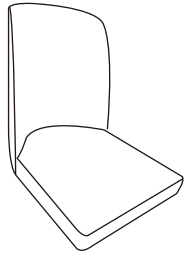


# ASSEMBLY INSTRUCTION

Ax1



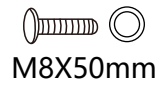
Bx2 Front Foot



Cx2 Rear Foot

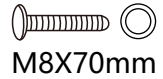


Dx4



M8X50mm

Ex4

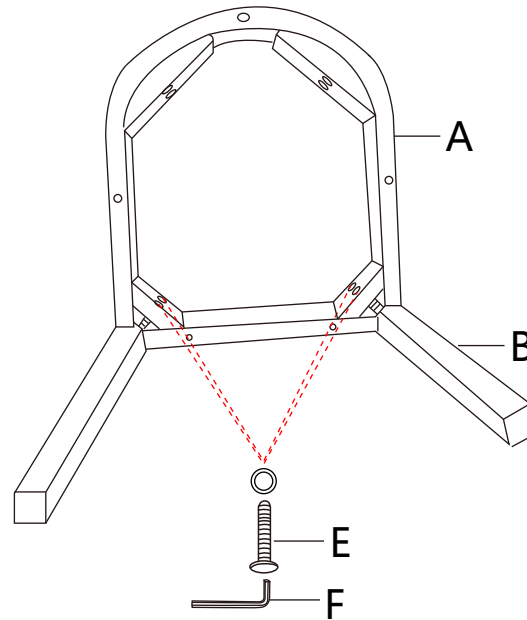


M8X70mm

Fx1

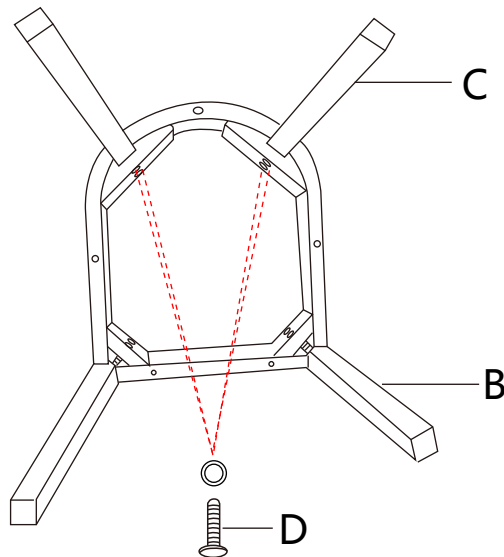


①



Put about 60% of the front foot first

②



Then install the back foot 100% install the front foot

③

