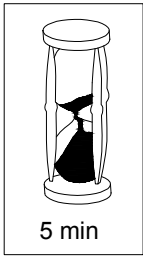
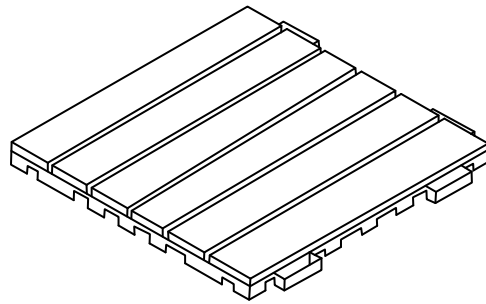
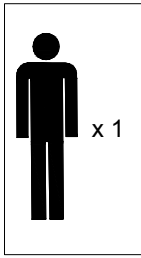


NEED HELP? For replacement requests or product inquiries, please contact our Customer Service Team by emailing us. Thank you for selecting!

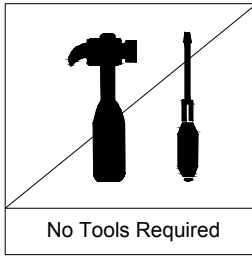
Floor Decking



5 min



x 1



No Tools Required

CARE INSTRUCTION:

This wooden product was treated with wood stain at factory. To maintain the original appearance, you need to treat with a suitable wood oil at least once a year. Left untreated, the wood will weather change color to silvery grey.

Covering or storing your wooden product to protect it from ice and snow will keep it looking even better for even longer.

Step 1:
Snap the pegs into neighboring tiles, as shown.

