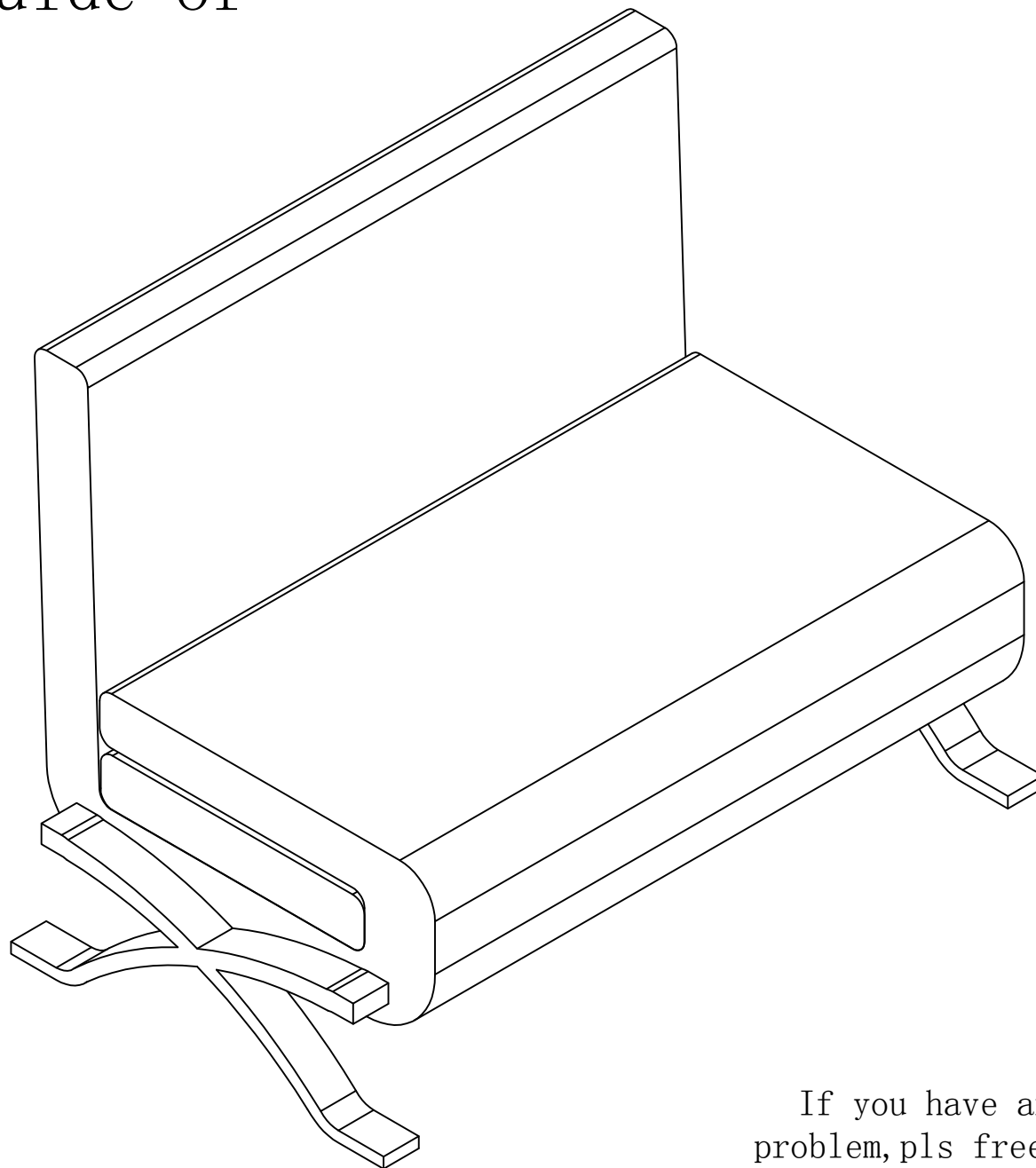
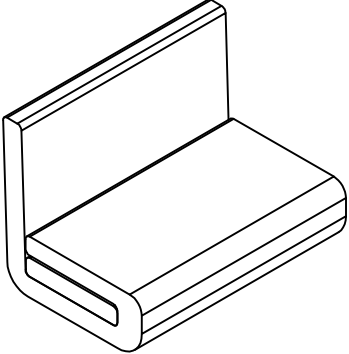
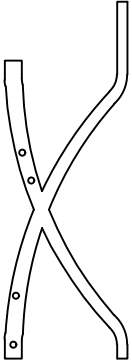
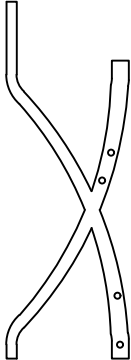


# Assembly guide of Sofa Bed

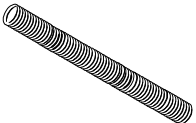
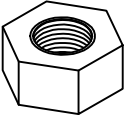
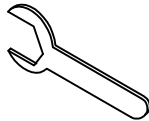
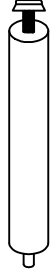
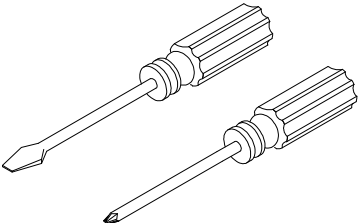


If you have any installation  
problem, pls free to contact us to  
get installation video.

# PARTS LIST

		
sofa=1	left foot=1	right foot=1

# HARDWARE LIST

				
M8*100screws=8	nut=8	wrench=1	middle leg=4	

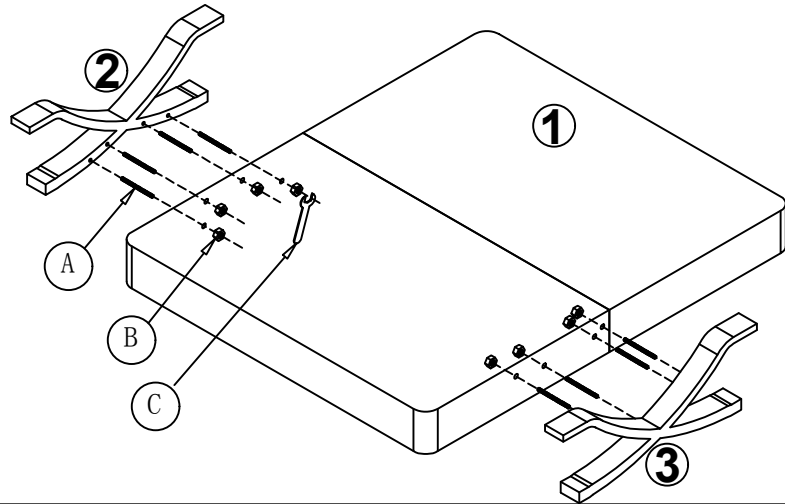
Phillips & Flathead screwdrivers required---not included For quicker assembly, we recommend the use of power drill on a low speed setting

Step 1

Assembly left/right foot and sofa:

1. Adjust ①sofa in to flat state unzip the zipper, and install the ②left foot and ③right foot with four pcs(A)screws and four pcs(B)nut.

Noted:When installed the footthe foot needs to be distinguishleft or right direction.

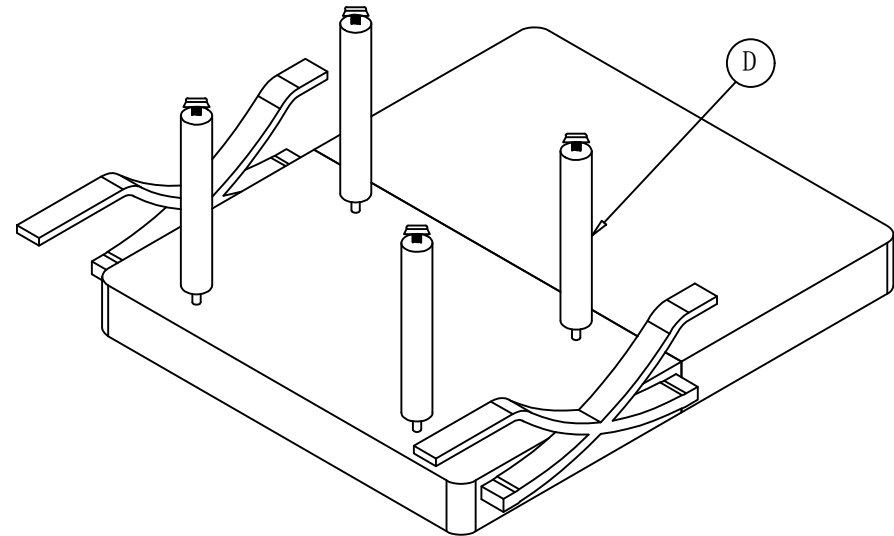


Step 2

Kindly note:

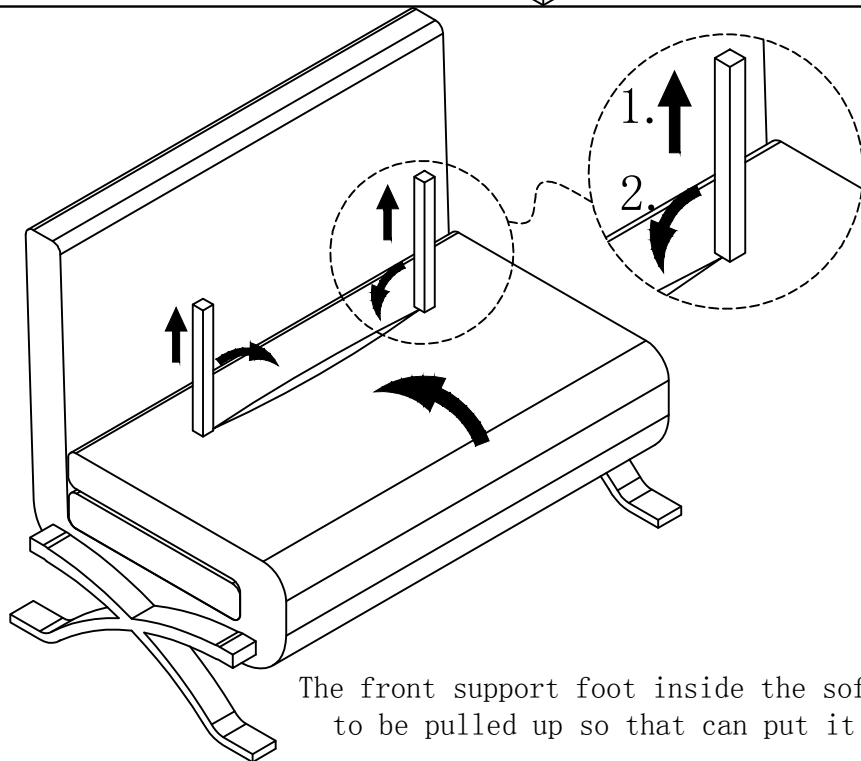
a. 0.7m and 0.9m sofa has not middle leg.

b. 1.1m sofa has four pcs adjustable middle legs.



Assembly middle leg and sofa:

Install four pcs middle legs on the sofa along the hole position.



The front support foot inside the sofa needs to be pulled up so that can put it away.

The support foot of the sofa back, can be directly put away.

