
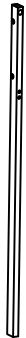

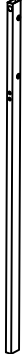
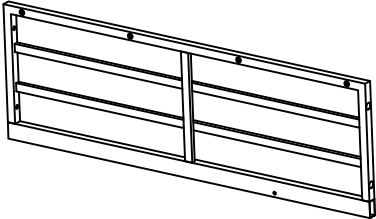
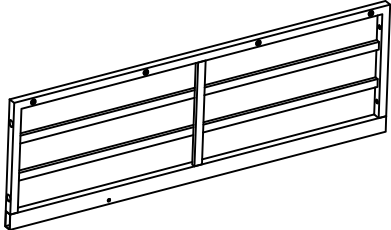
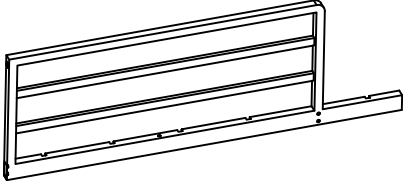
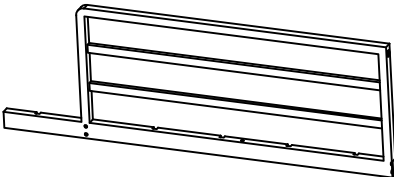
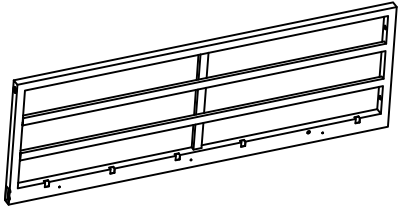
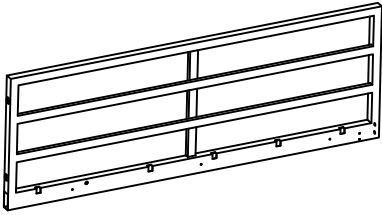







Model: C403-T-WH

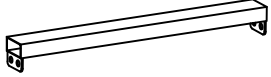
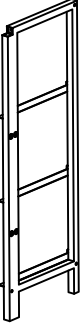
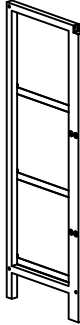
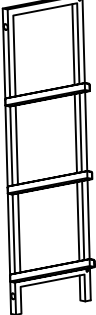
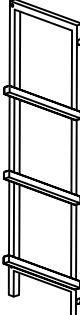
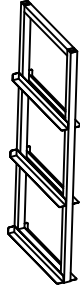
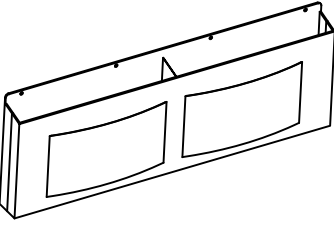
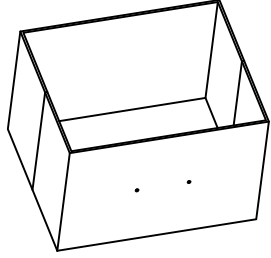

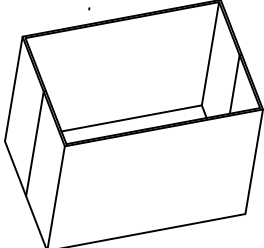
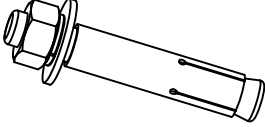

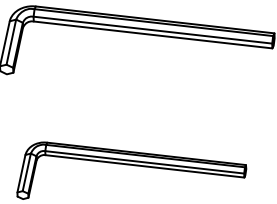
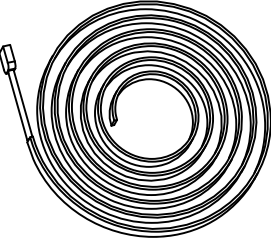
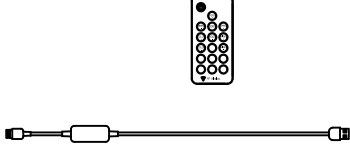
Please scan the QR code to watch the tutorial video
<https://www.youtube.com/@furnishglow/videos>

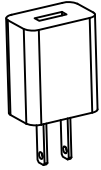



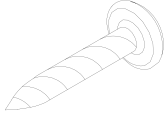

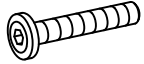
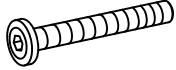

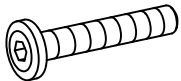
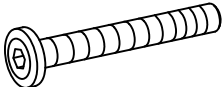
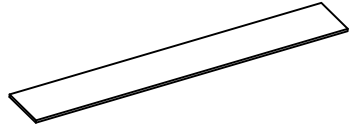
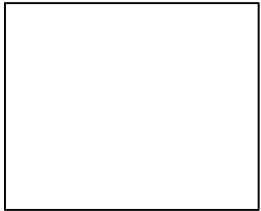
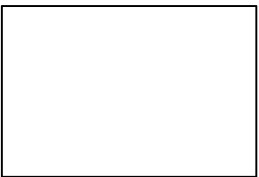


Parts List:

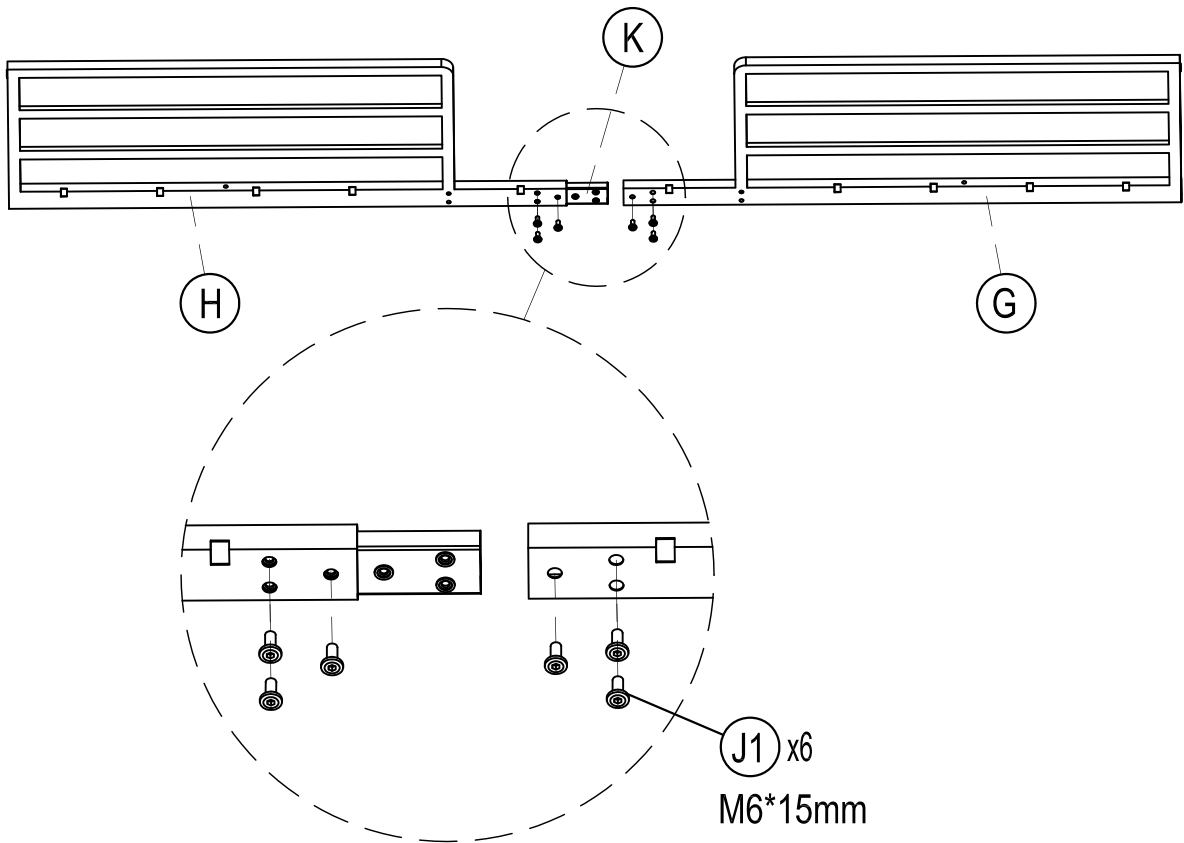
A  1pcs	B  1pcs	C  1pcs
D  1pcs	E  1pcs	F  1pcs
G  1pcs	H  1pcs	I  1pcs
J  1pcs	K  1pcs	L  2pcs
M  10pcs	N  2pcs	O  6pcs

Parts List:

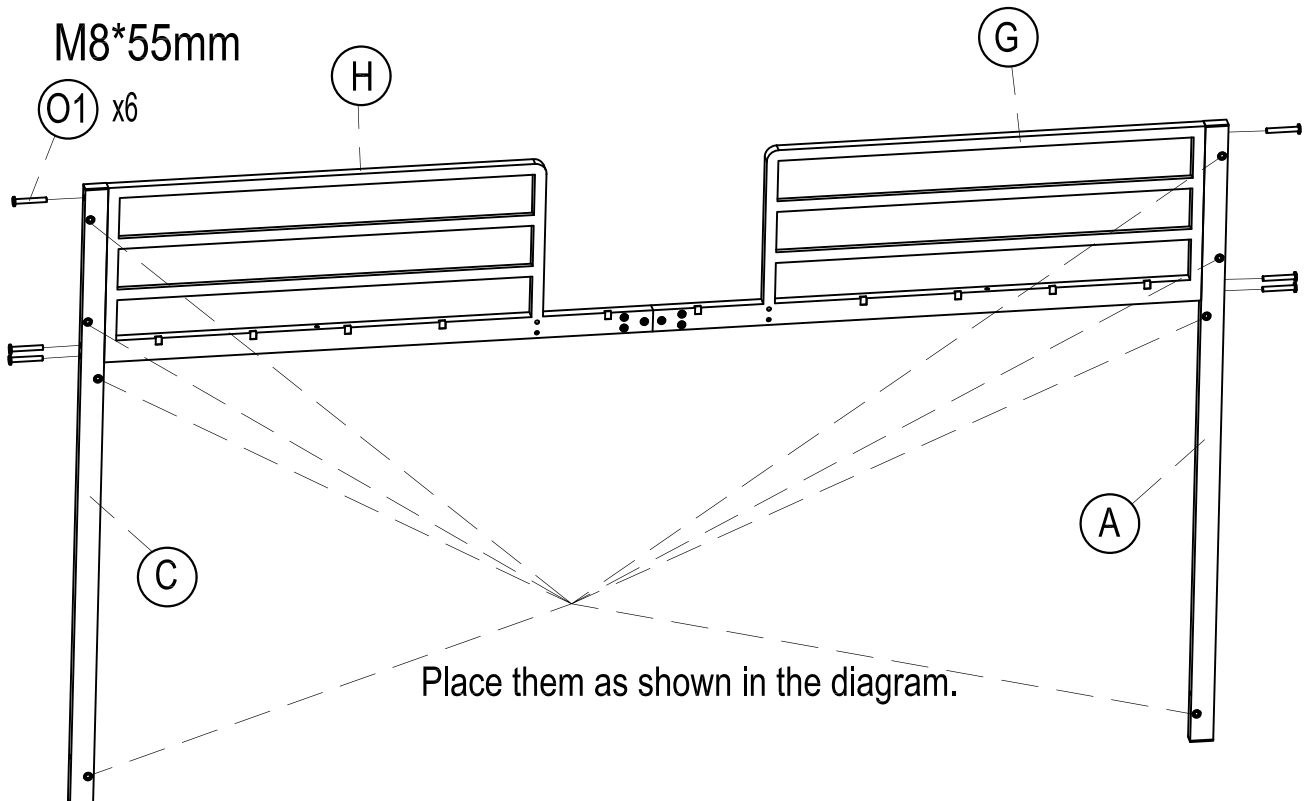
<p>P 2pcs</p> 	<p>Q 1pcs</p> 	<p>R 1pcs</p> 
<p>S 1pcs</p> 	<p>T 1pcs</p> 	<p>U 2pcs</p> 
<p>V 1pcs</p> 	<p>W 8pcs</p> 	<p>X 8pcs</p> 
<p>Y 4pcs</p> 	<p>Z 2pcs</p>  <p>M8x60mm</p>	<p>A1 1pcs</p> 
<p>B1 1pcs</p> 	<p>C1 1pcs</p> 	<p>D1 1pcs</p> 

<p>E1 1pcs</p> 	<p>F1 1pcs</p> 	<p>G1 6pcs</p> 
<p>H1 8pcs</p>  <p>M3*10mm</p>	<p>I1 16pcs</p>  <p>M4*12mm</p>	<p>J1 10pcs</p>  <p>M6*15mm</p>
<p>K1 20pcs</p>  <p>M6*35mm</p>	<p>L1 6pcs</p>  <p>M6*55mm</p>	<p>M1 8pcs</p>  <p>M8*15mm</p>
<p>N1 14pcs</p>  <p>M8*35mm</p>	<p>O1 12pcs</p>  <p>M8*55mm</p>	<p>P1 2pcs</p> 
<p>Q1 8pcs</p> 	<p>R1 4pcs</p> 	

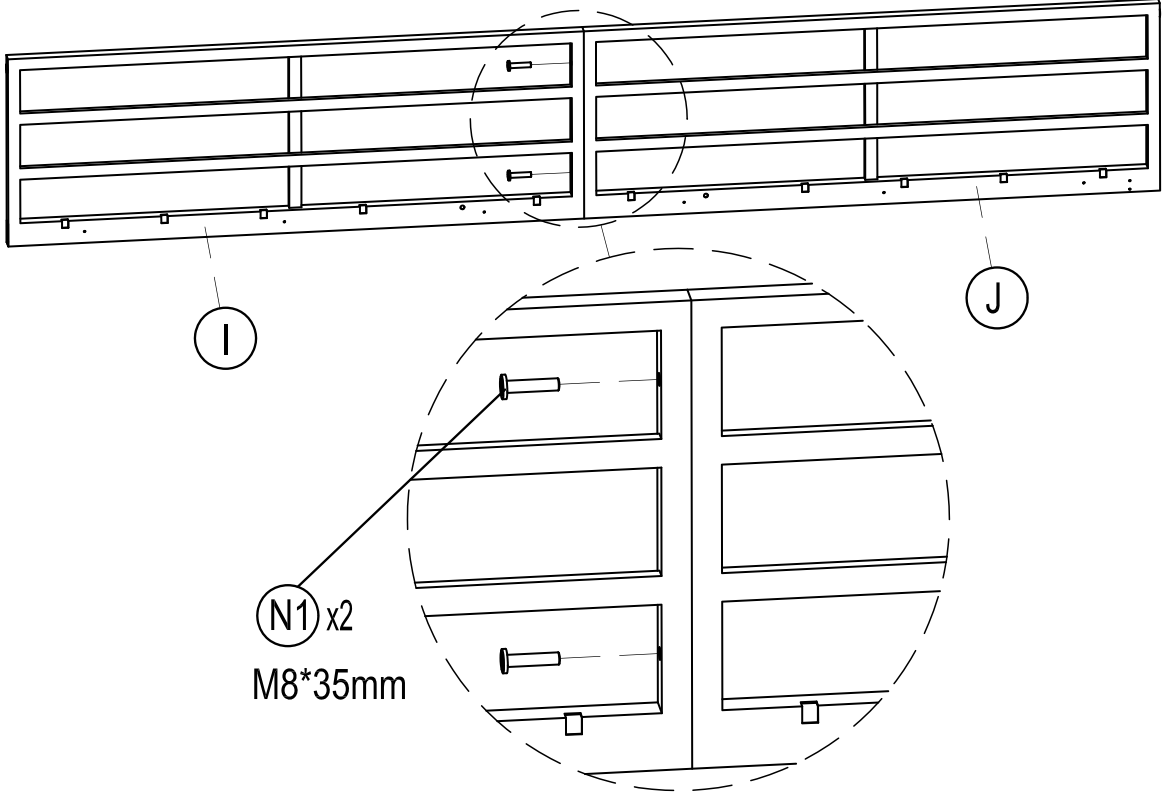
ASSEMBLY STEP 1



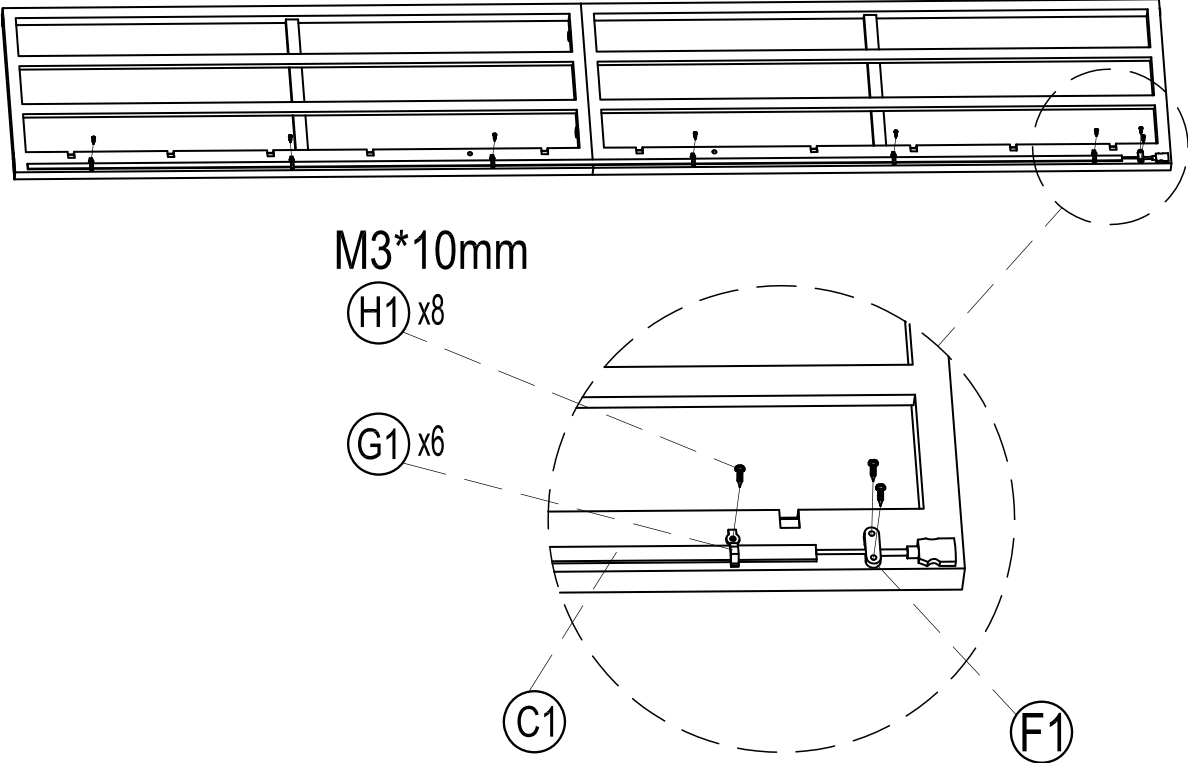
STEP 2



STEP 3

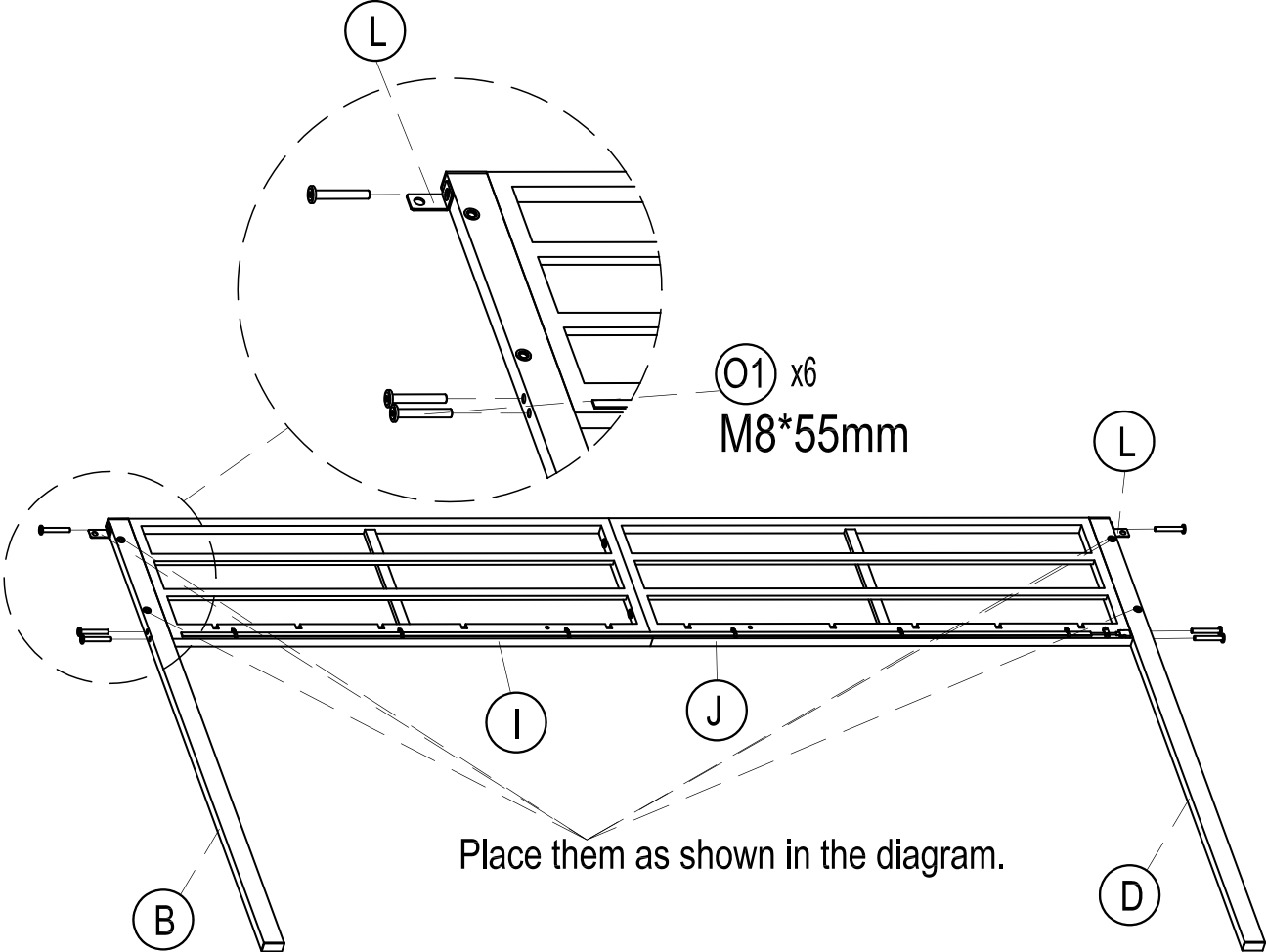


STEP 4

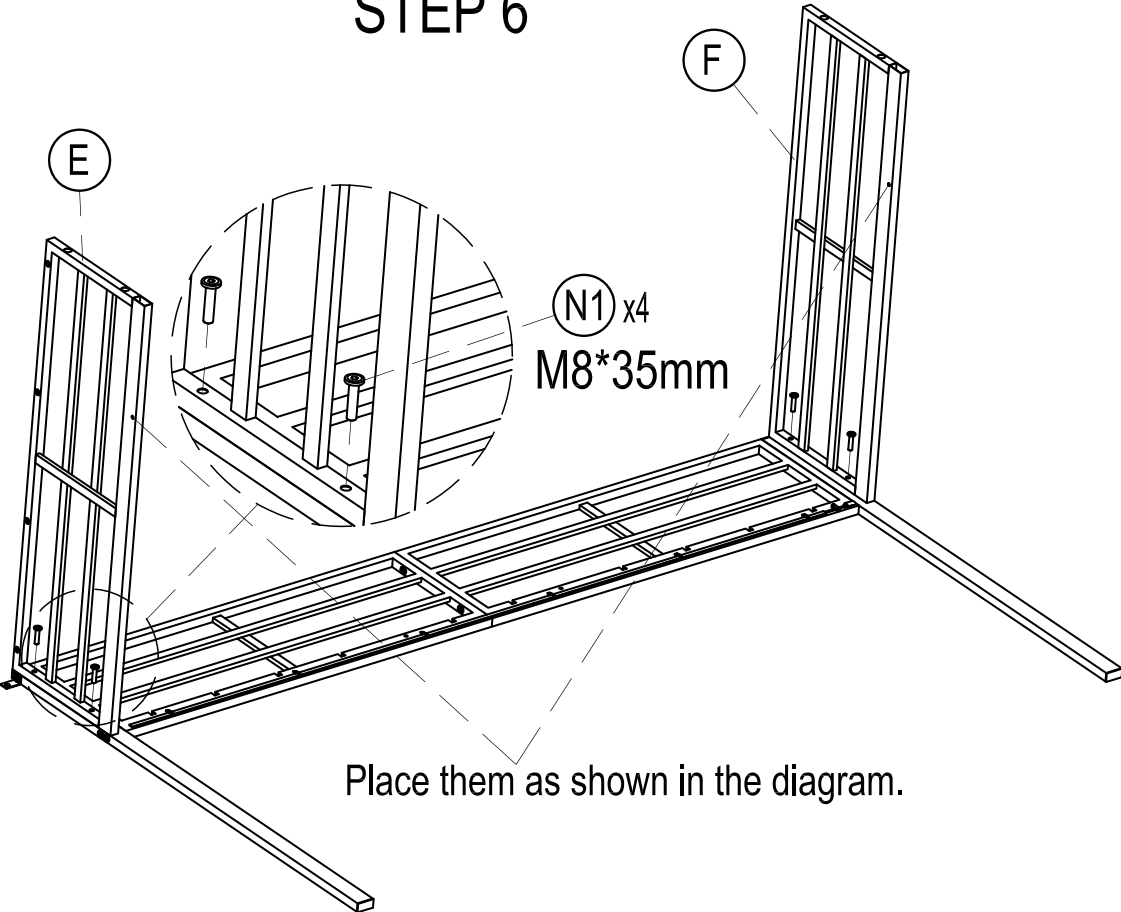


Remove the double-sided tape before installation.

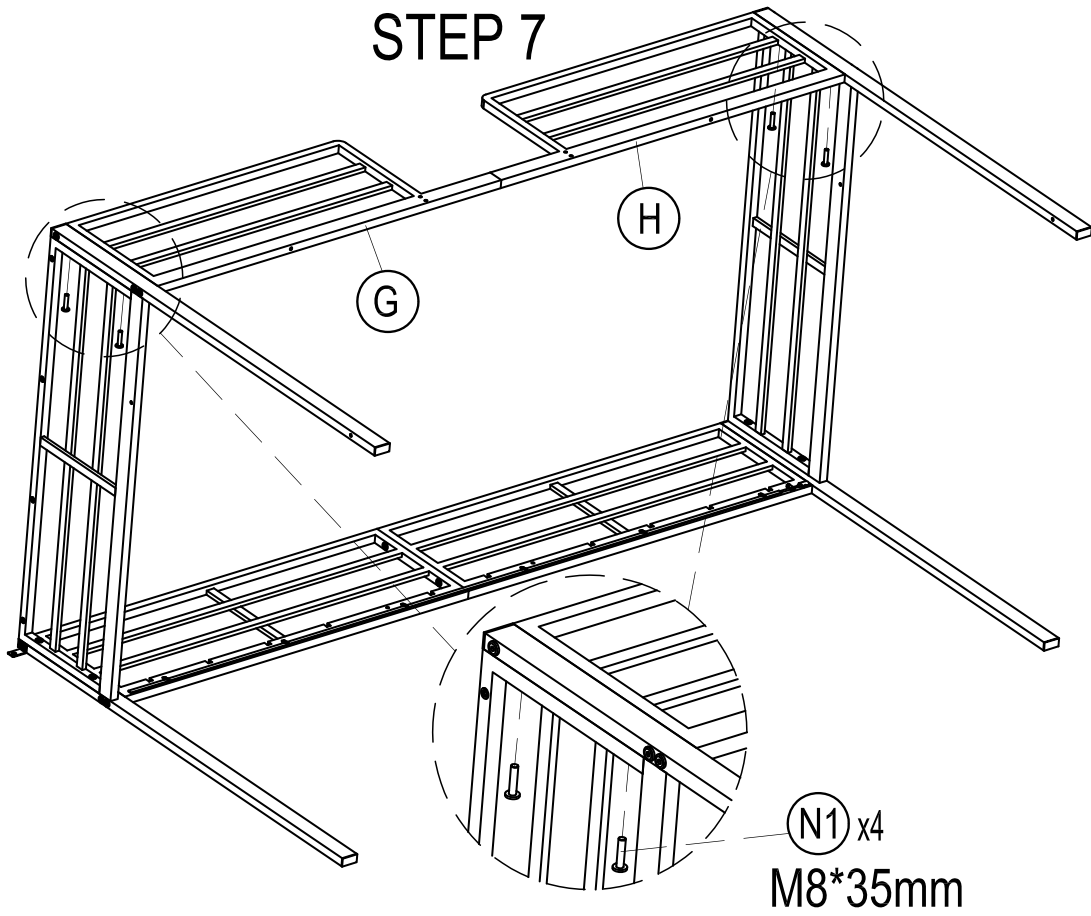
STEP 5



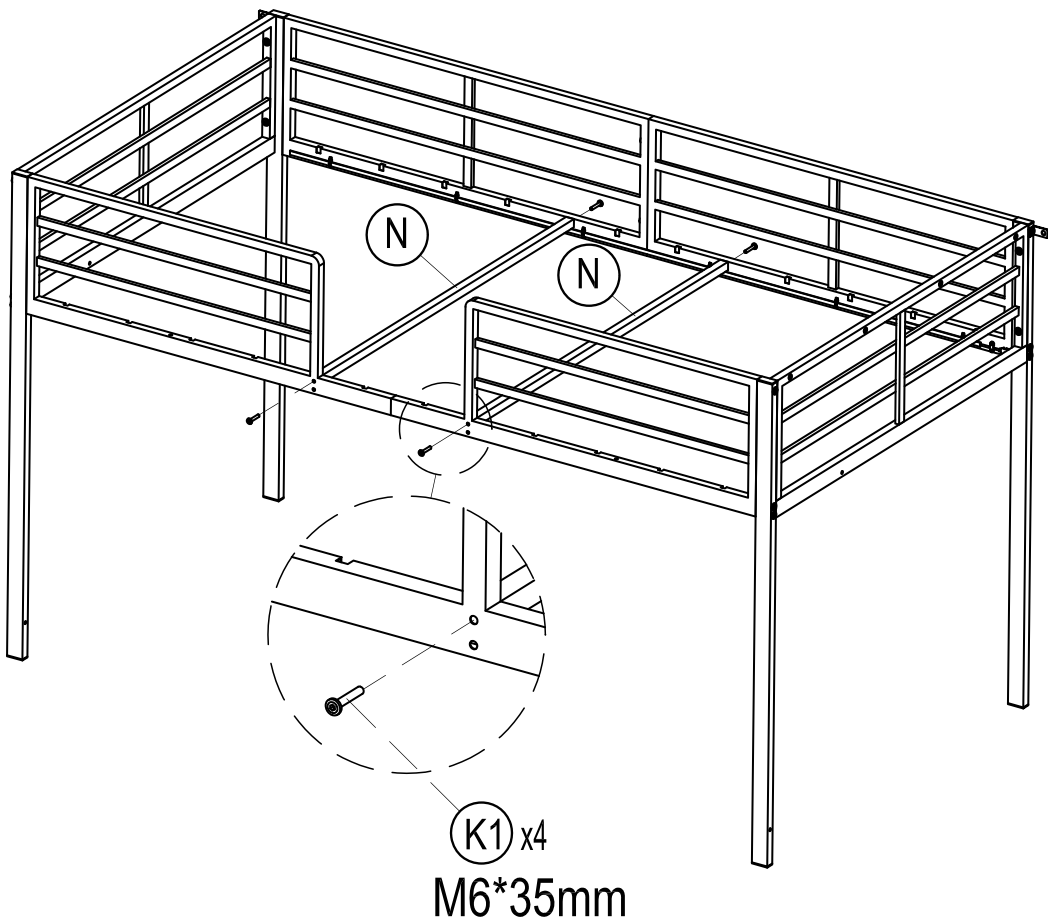
STEP 6



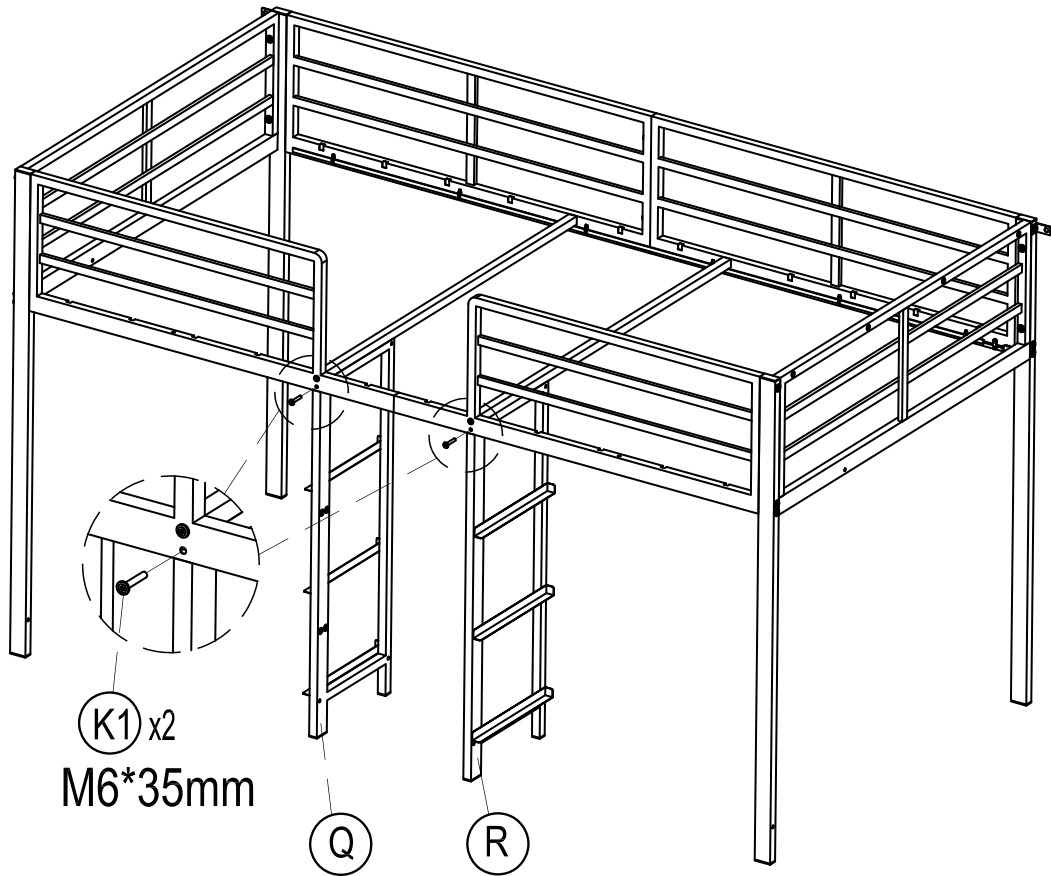
STEP 7



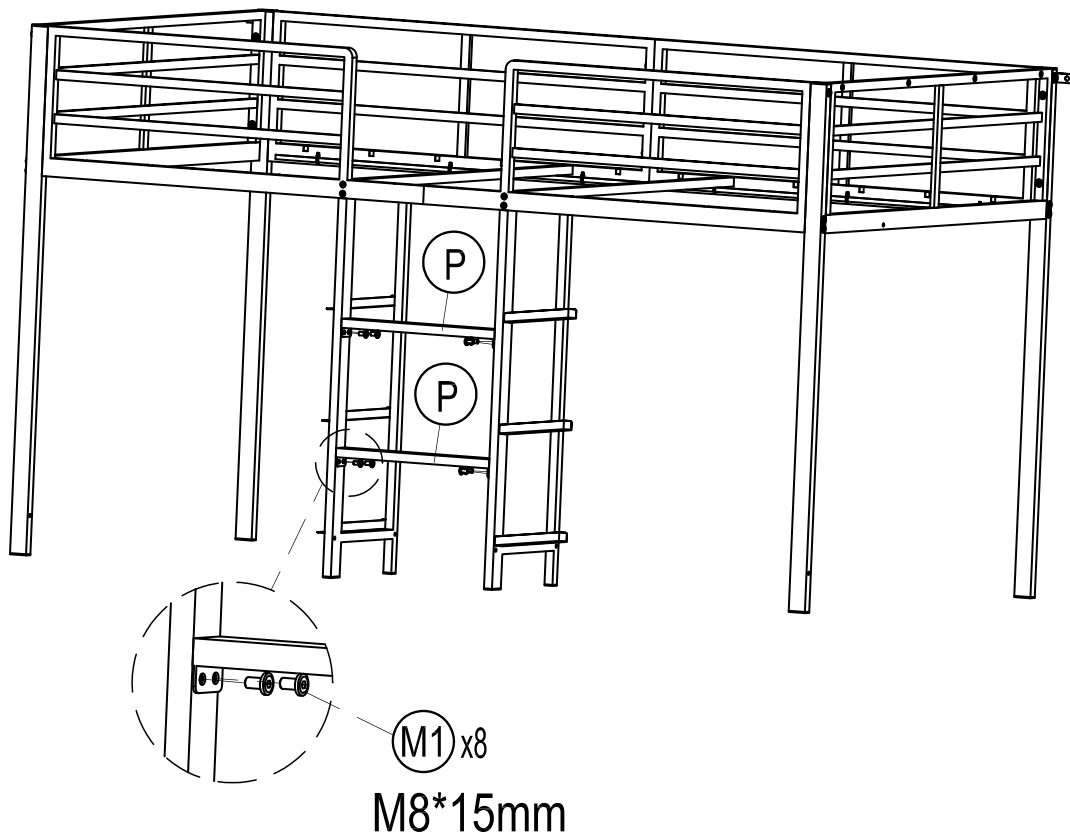
STEP 8



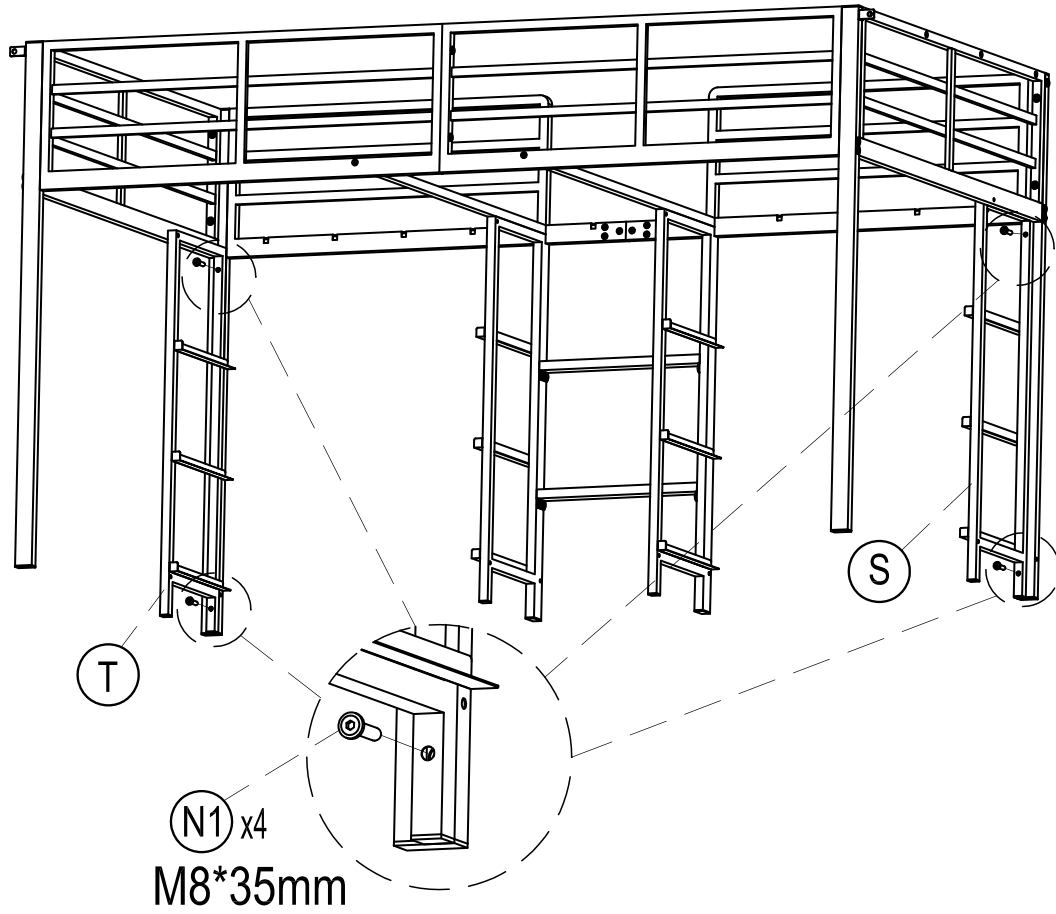
STEP 9



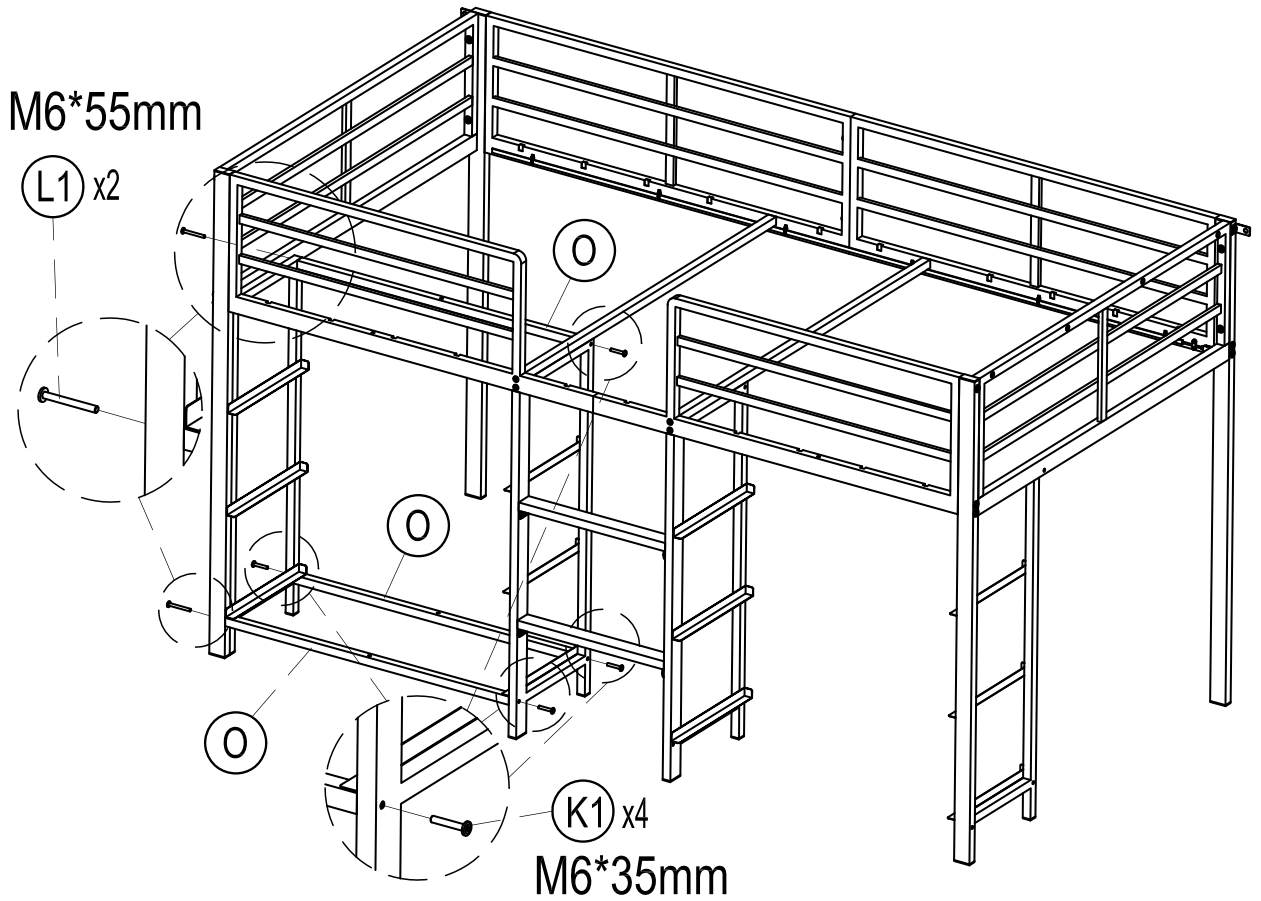
STEP 10



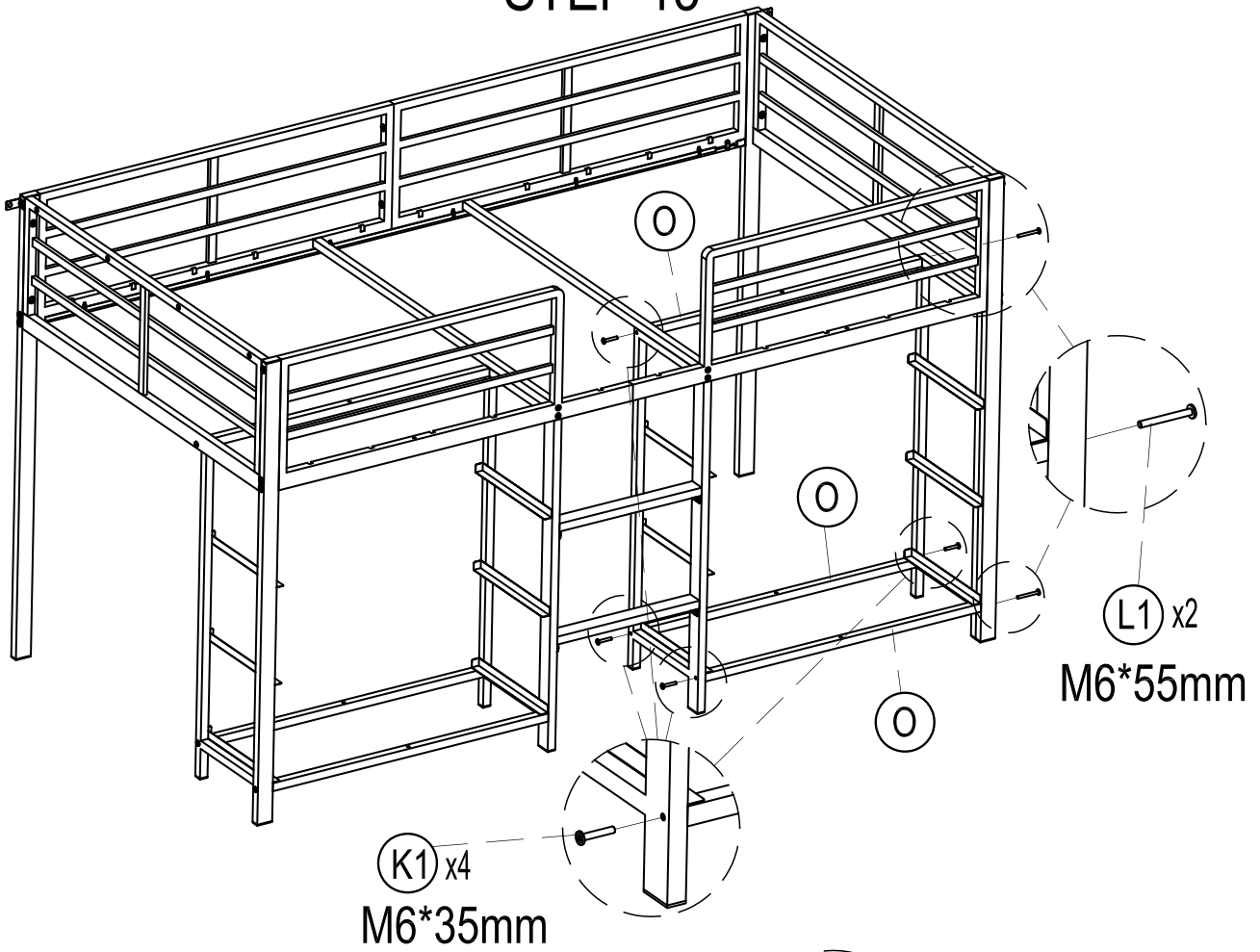
STEP 11



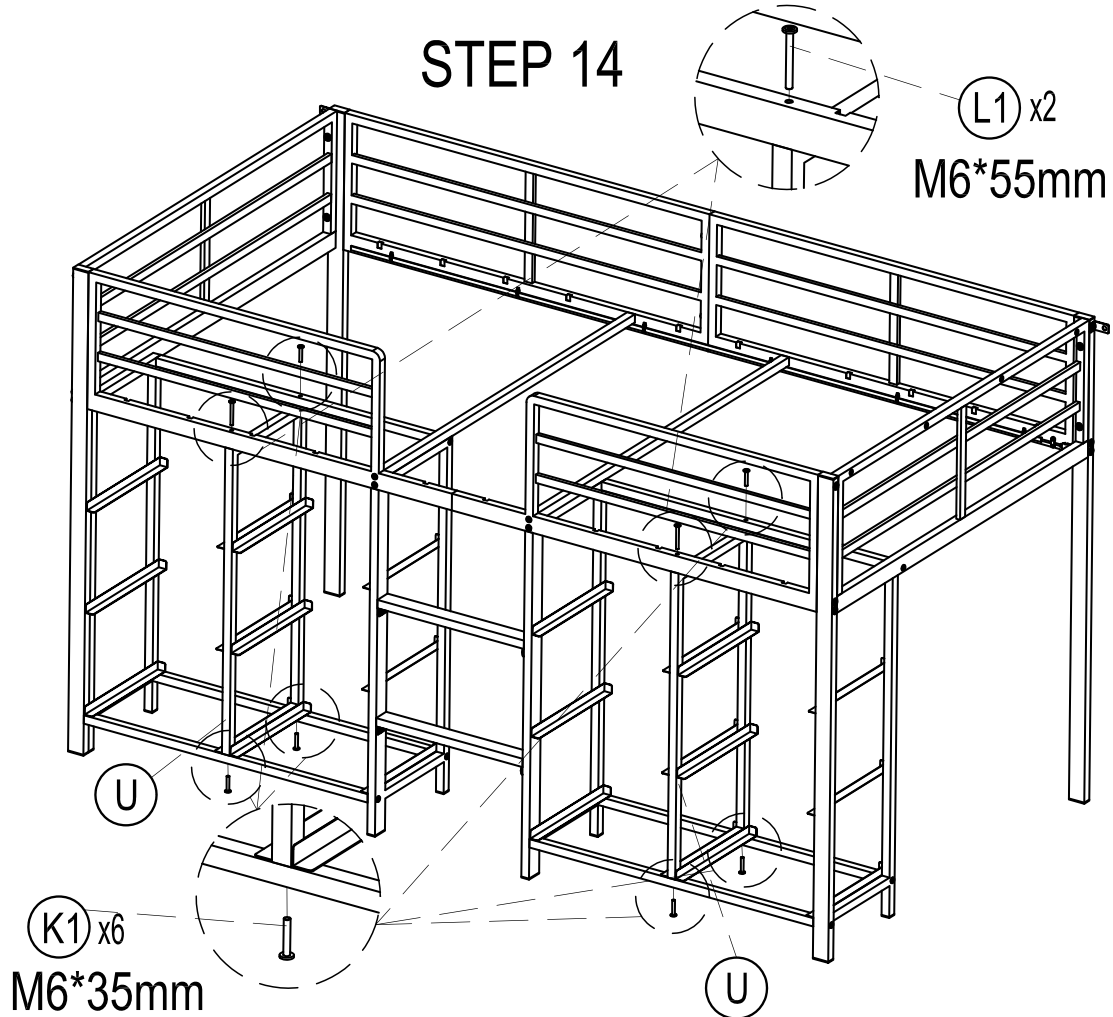
STEP 12



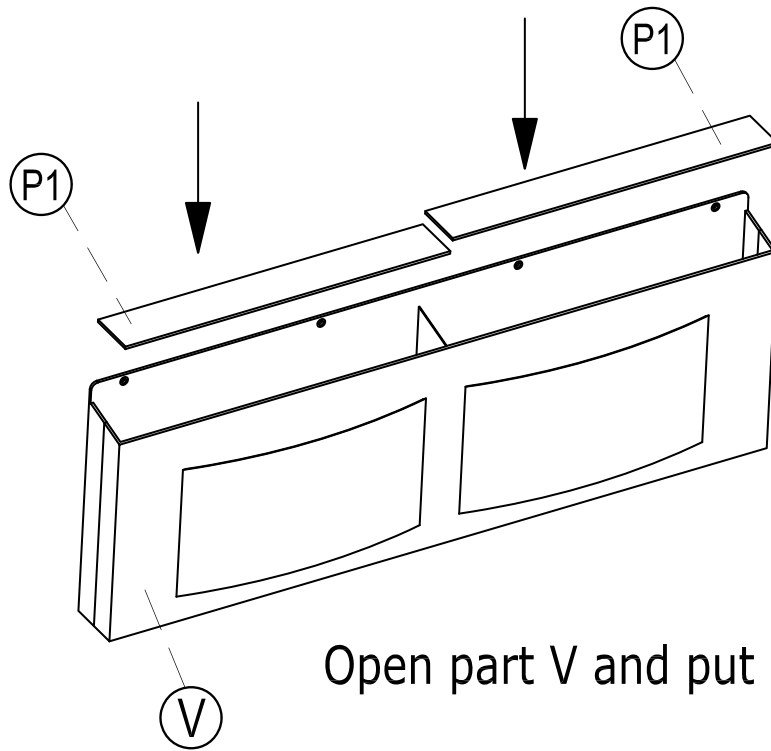
STEP 13



STEP 14



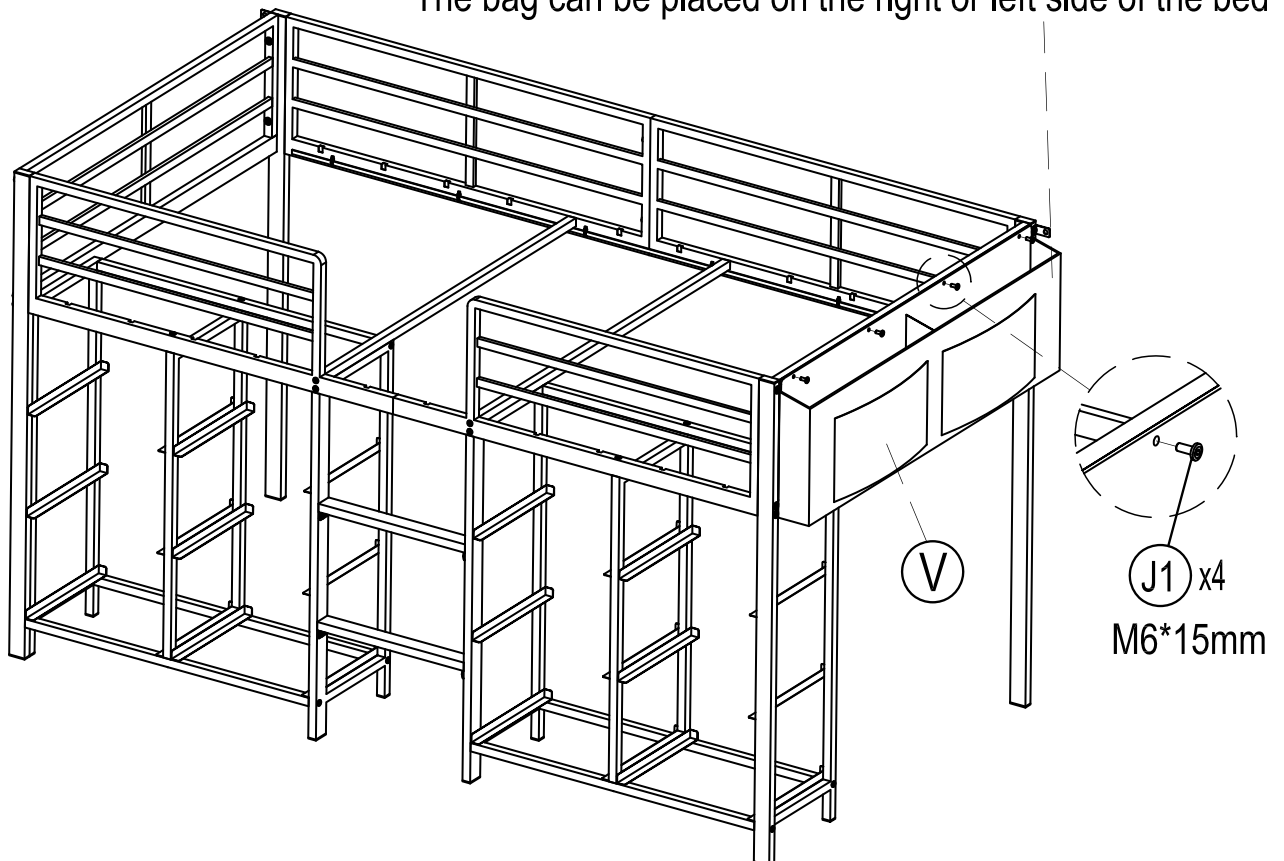
STEP 15



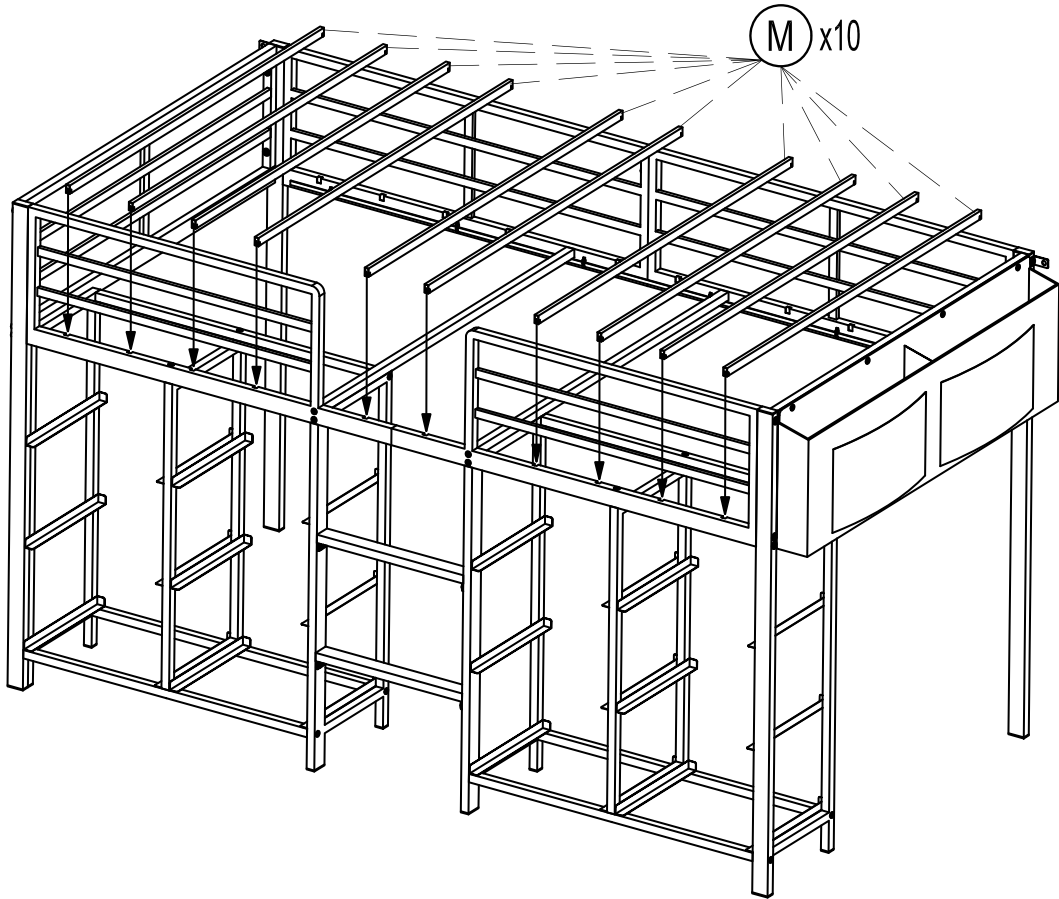
Open part V and put part P1 in

STEP 16

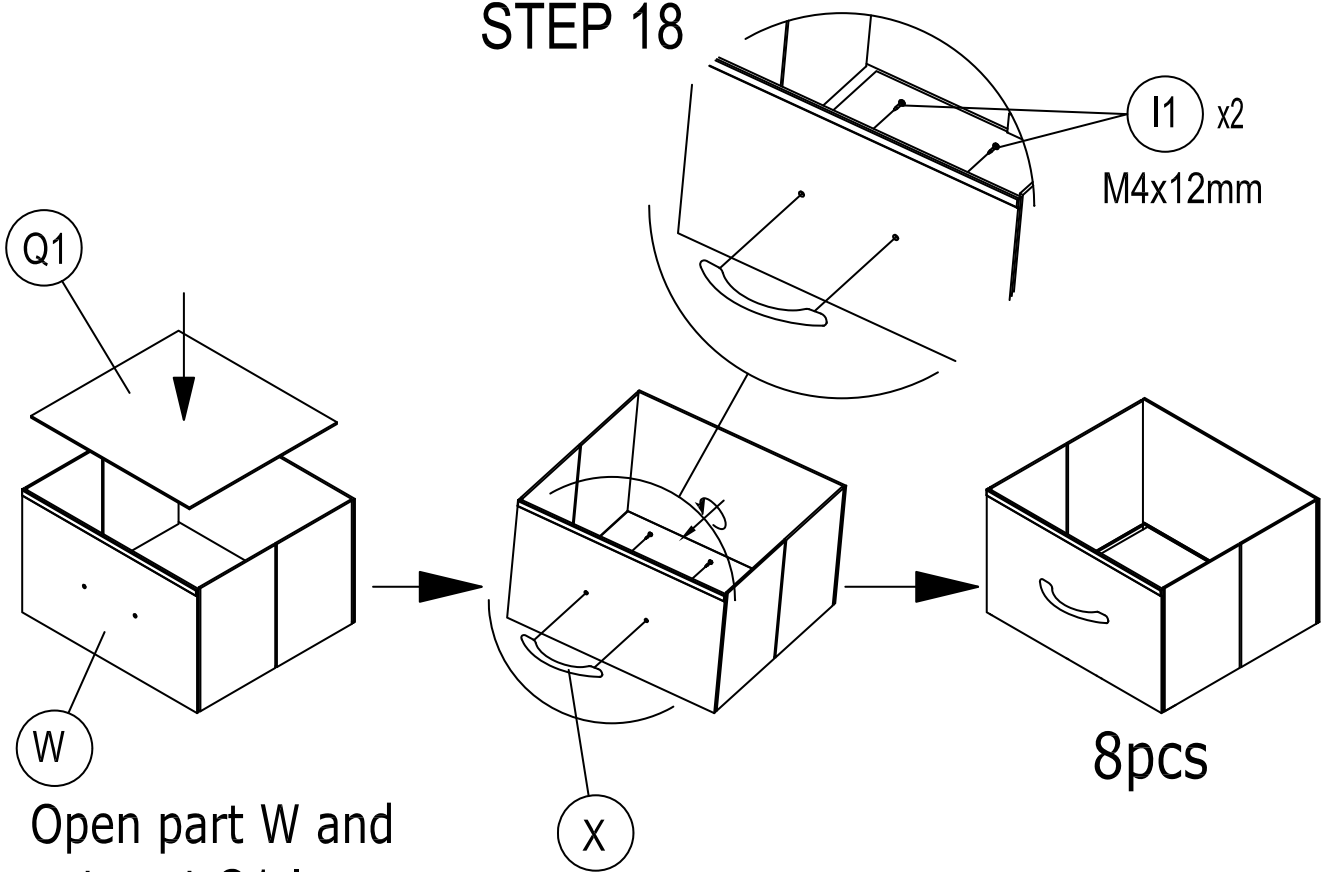
The bag can be placed on the right or left side of the bed



STEP 17

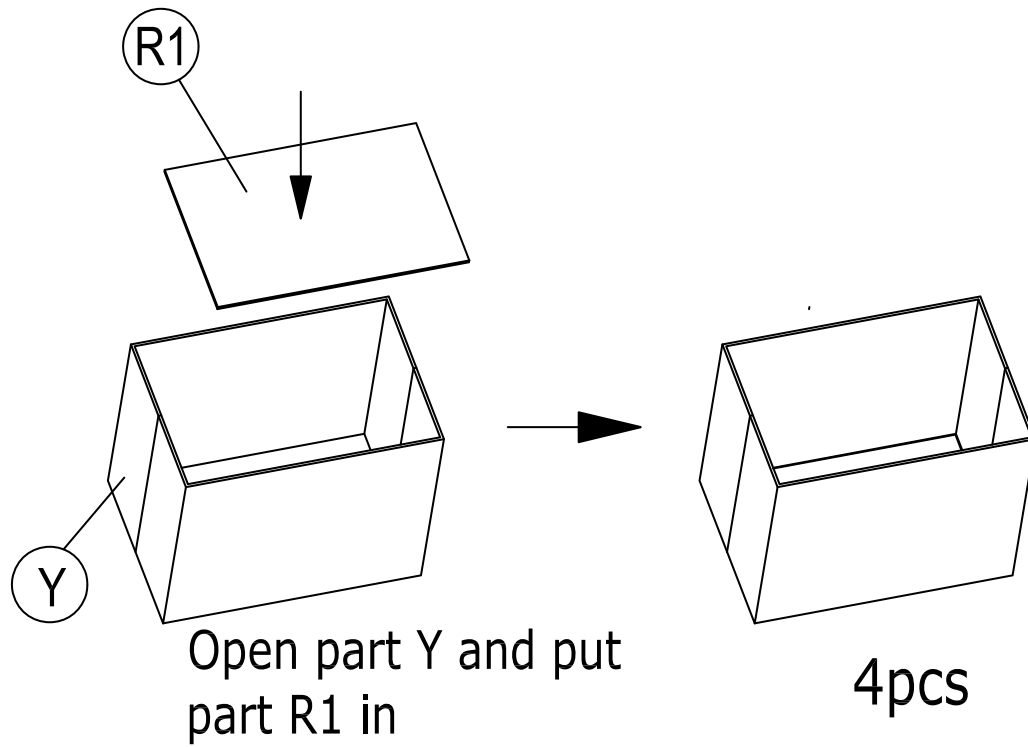


STEP 18

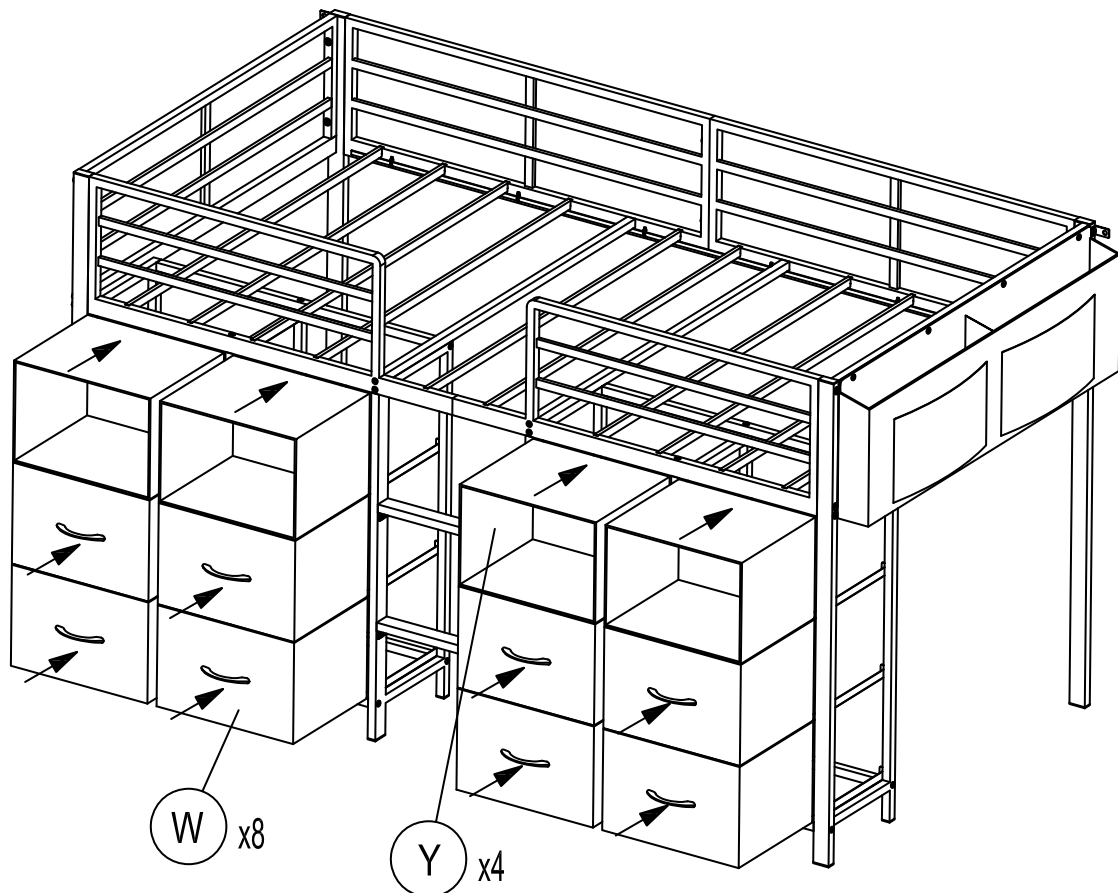


Open part W and put part Q1 in

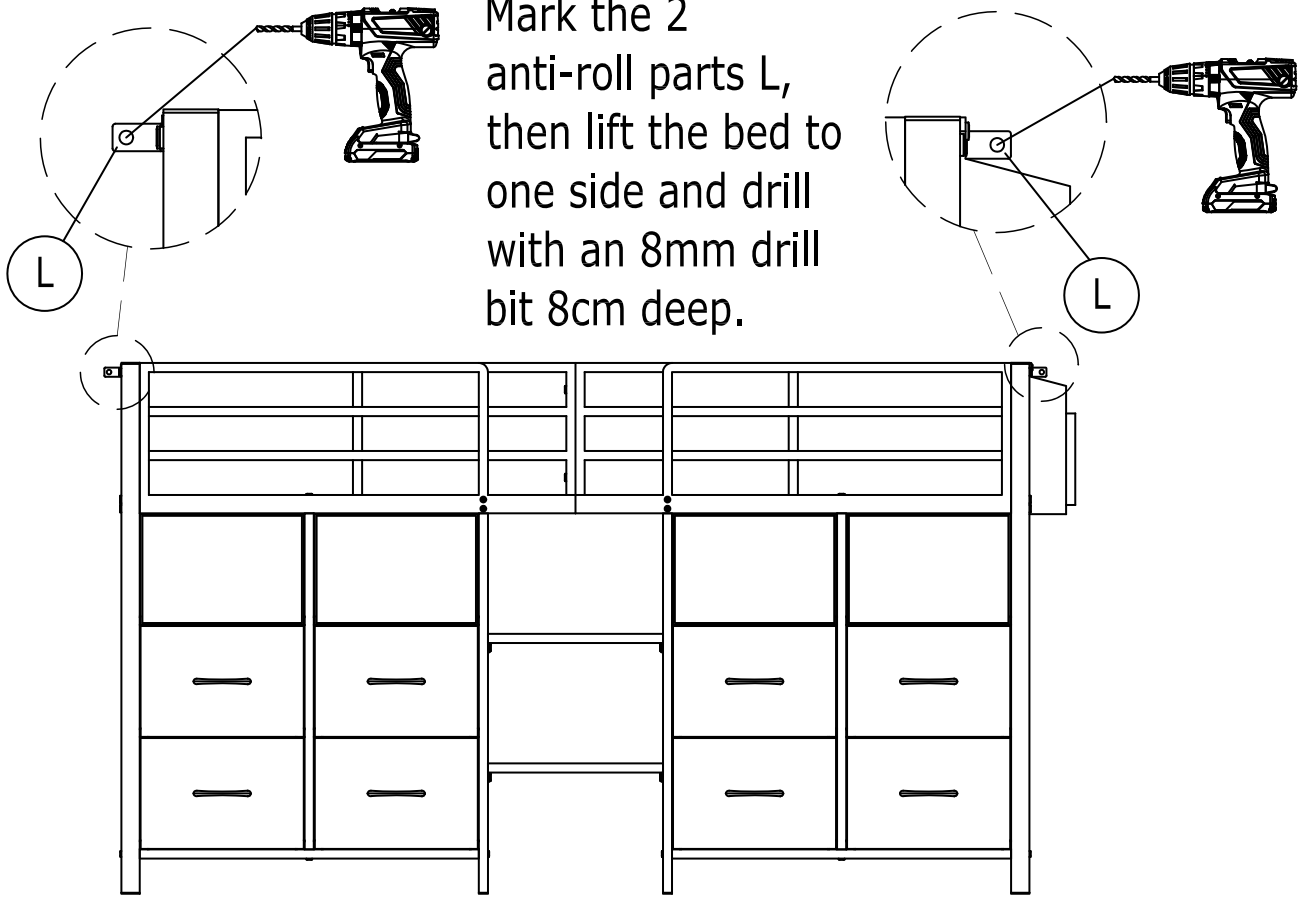
STEP 19



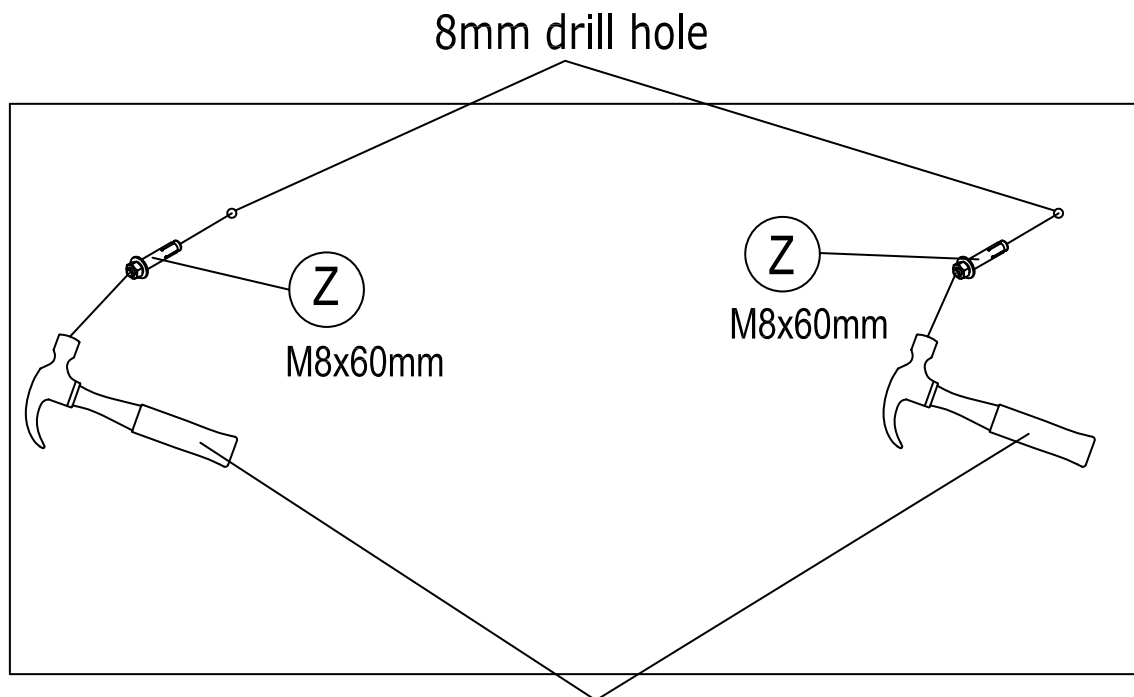
STEP 20



STEP 21

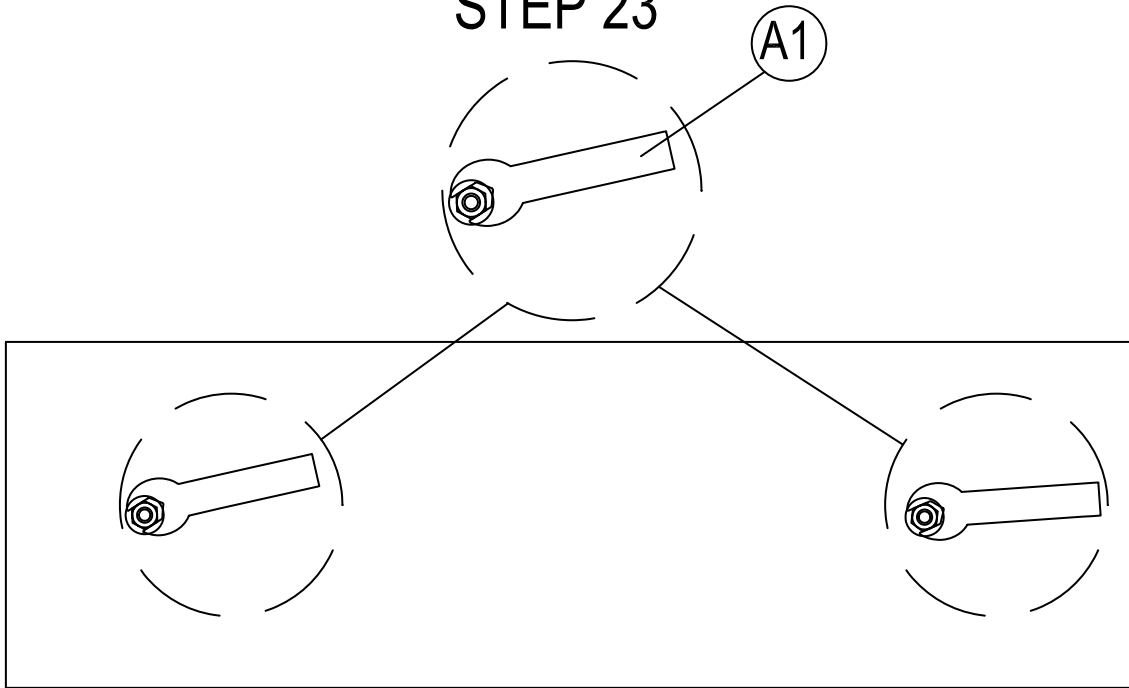


STEP 22



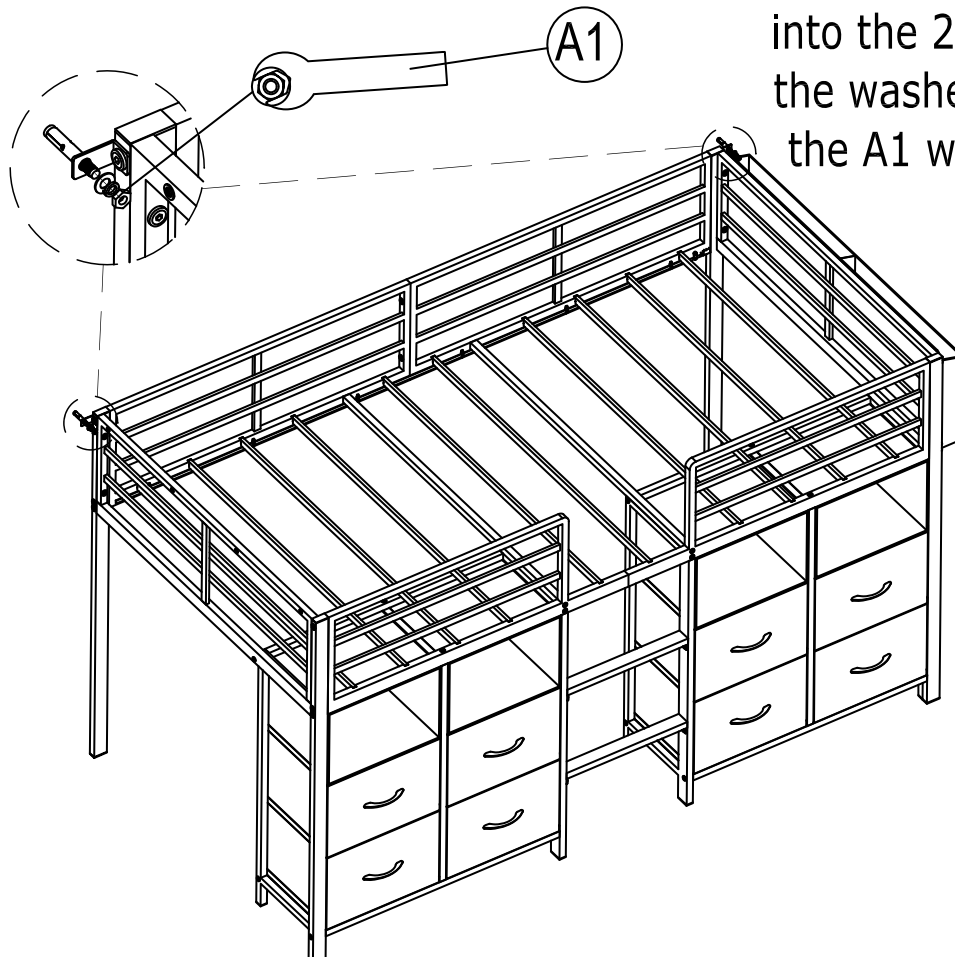
Use a hammer to hammer the Z-shaped iron plug into the 8mm drilled hole.

STEP 23



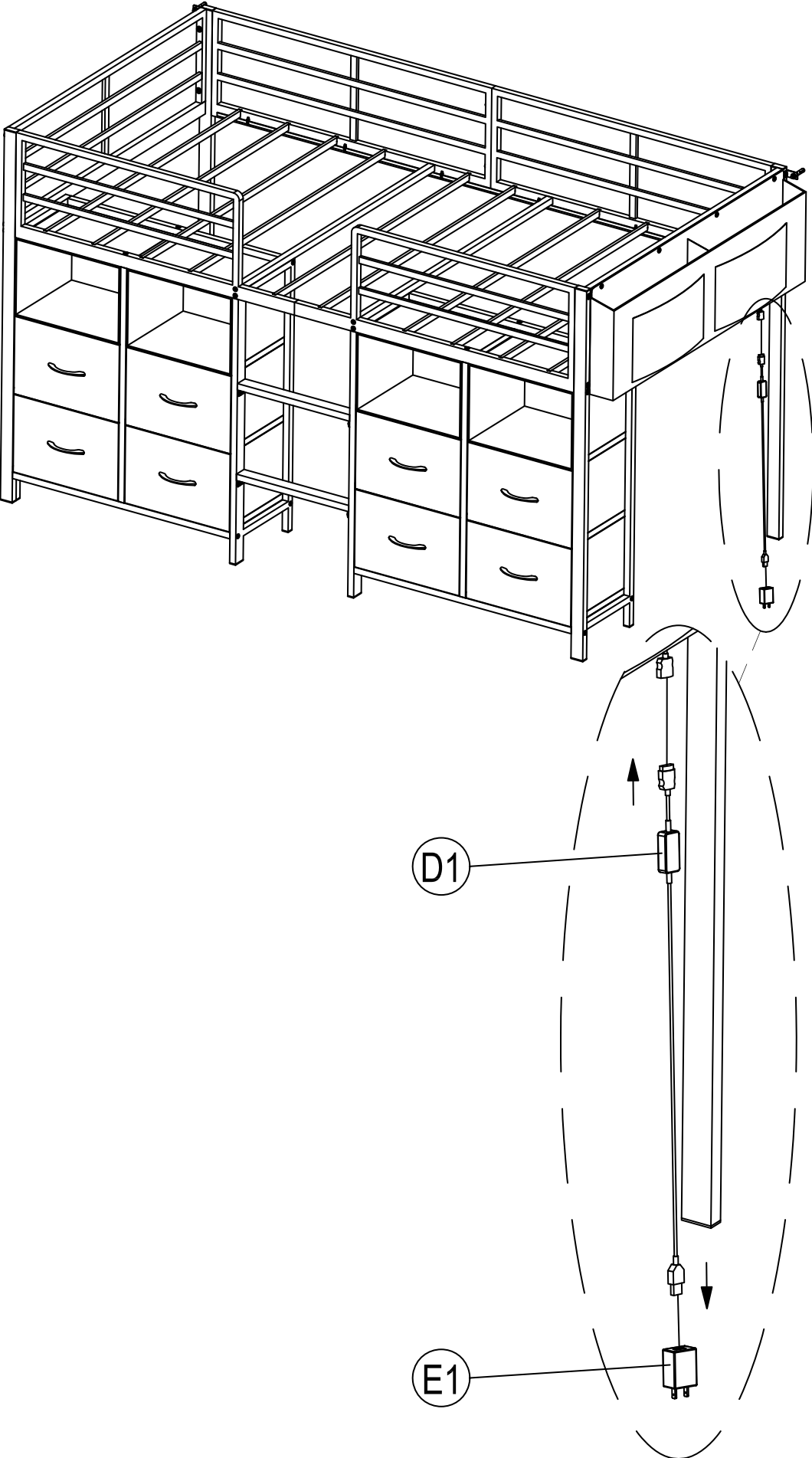
Use wrench A1 to tighten the nut on the Z anchor just arrived, then remove the nut and washer.

STEP 24

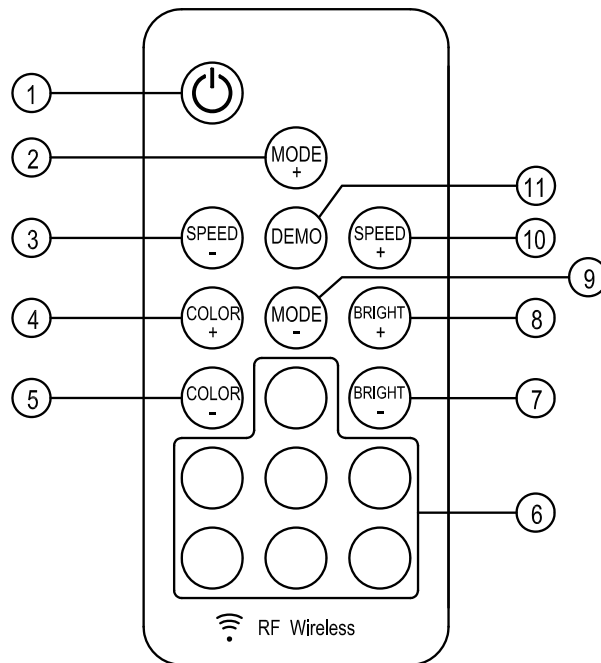


Put the L position on the bed into the 2 Z bolts, then put the washer and nut in and use the A1 wrench to tighten it.

STEP 25



RGB LED CONTROLLER



1. Turn on / Standby

Press this key to turn on unit or switch to standby mode. At power on, unit will automatically turn on and restore to previous status.

2/9. Dynamic Mode Adjust

Switch to dynamic mode from static color, or switch between dynamic modes.

3/10. Dynamic Speed Adjust

Adjust dynamic playing speed. Press SPEED + to increase speed and press SPEED - to decrease. Unit will switch to dynamic mode If press this key at static color mode.

4/5. Static Color Adjust

Switch to static color mode from dynamic mode, or switch between static colors.

6. Direct Color Select

Shortcut key to static colors. When press the specific color key, LED will play the same static color. The direct colors are included in 'COLOR +' and 'COLOR -' operation.

7/8. Brightness Adjust

Adjust static color brightness. Press BRIGHGT + to increase brightness and press BRIGHGT - to decrease. Unit will switch to static color mode If press this key at dynamic mode.

11. Demo Mode

Press this key will switch to Demo mode. At demo mode, it plays 17 dynamic modes in loop, each mode repeat 3 times.