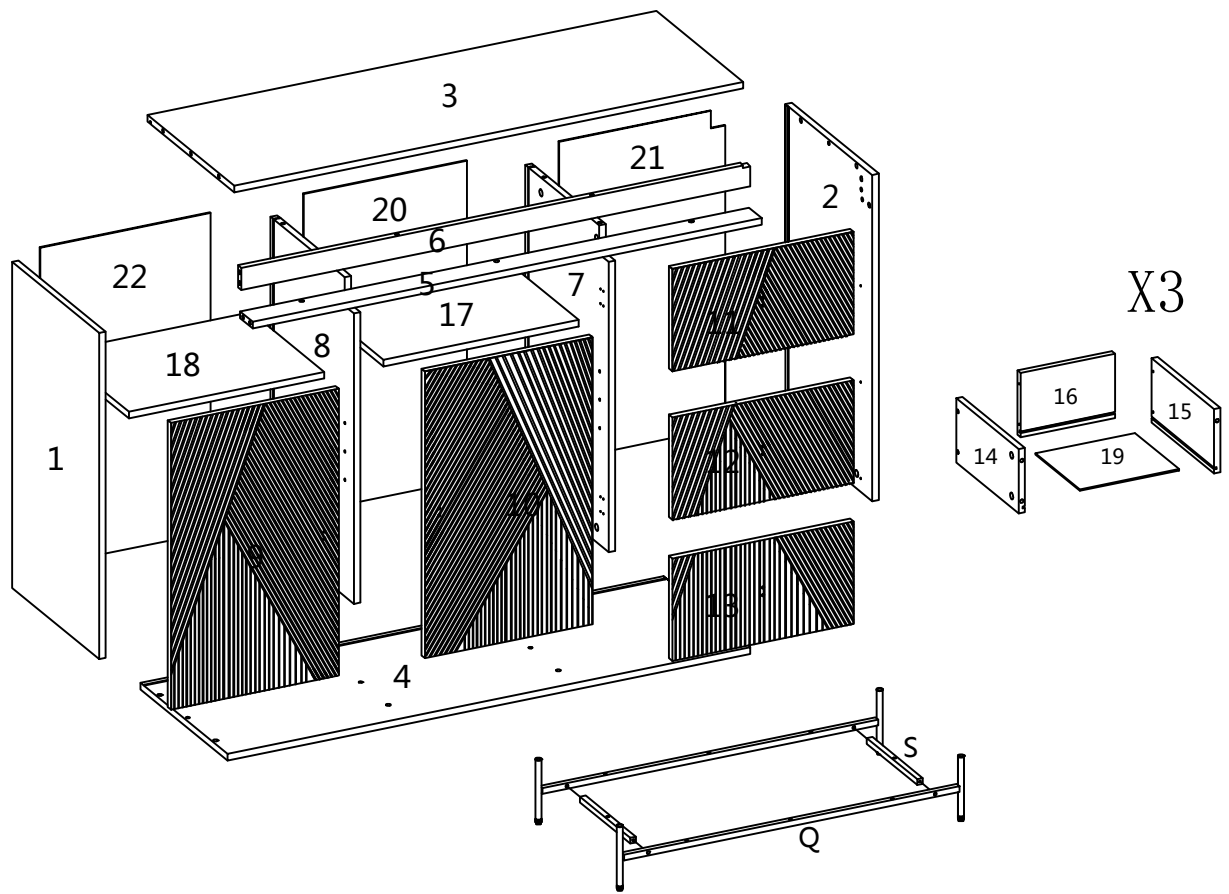
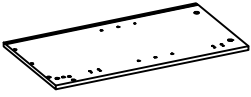
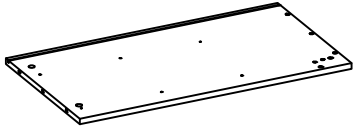
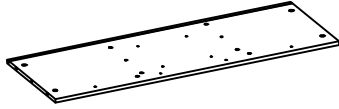
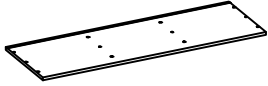

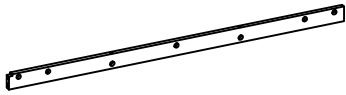
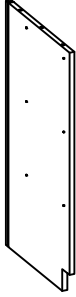
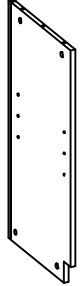
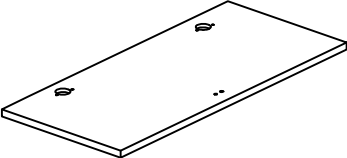
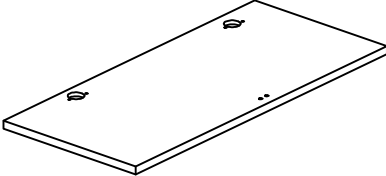
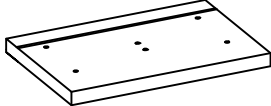
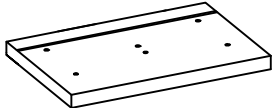
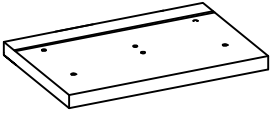
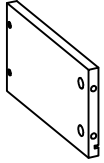
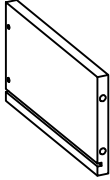
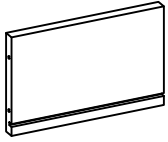
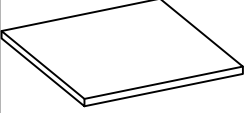
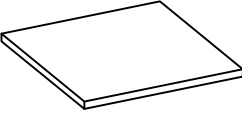
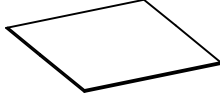


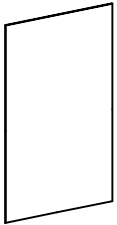


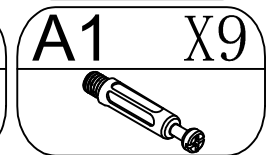
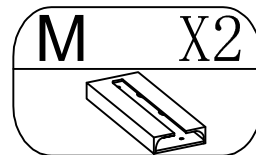
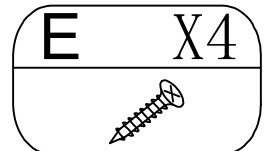
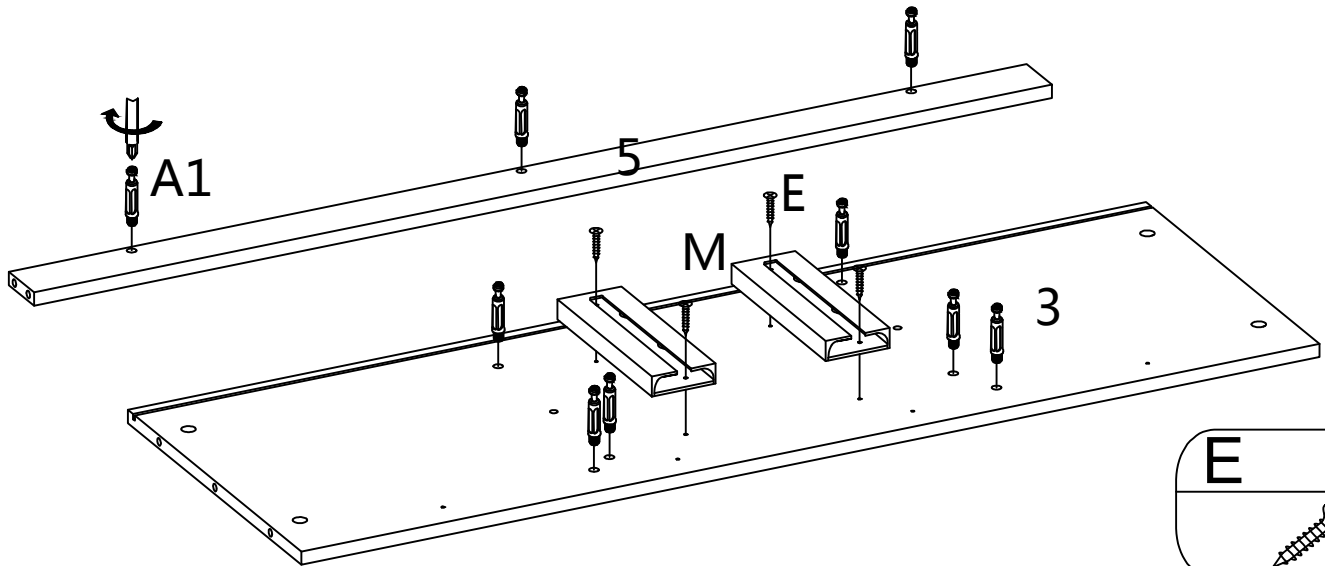
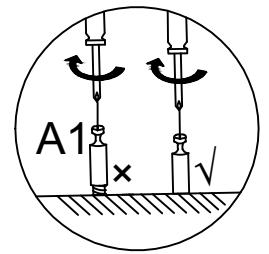
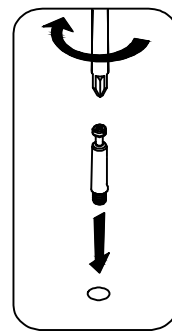
DS-SB018B



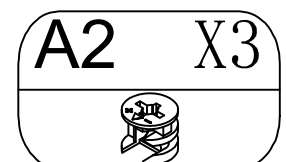
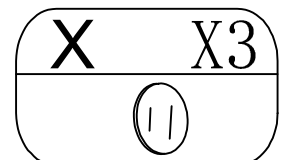
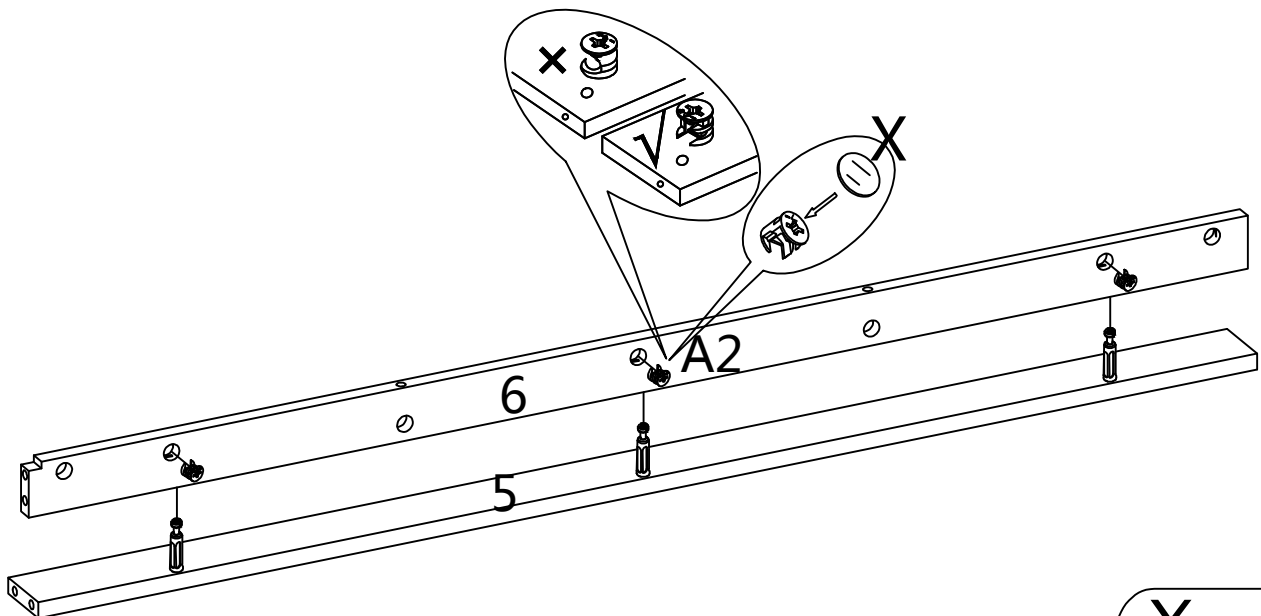
<p>A</p> <p>φ15*9.5mm A2 φ7*40mm A1 25PCS</p>	<p>B</p> <p>φ15*9.5mm B2 φ7*39mm B1 12PCS</p>	<p>C</p> <p>φ8*30mm 12PCS</p>	<p>N</p> <p>N1 N2 N3 N4 N5*4 N6*4 1PCS</p>	<p>O</p> <p>O3 O1 O2 O4 L=350mm 3PCS</p>	
<p>D</p> <p>φ3.5*12mm 20PCS</p>	<p>E</p> <p>φ3.5*14mm 54PCS</p>	<p>F</p> <p>φ3.5*30mm 12PCS</p>	<p>P</p> <p>M6*30mm 8PCS</p>	<p>I</p> <p>M6*55mm 4PCS</p>	<p>T</p> <p>T1 T2 T3 1PCS</p>
<p>G</p> <p>2PCS</p>	<p>H</p> <p>2PCS</p>	<p>J</p> <p>8PCS</p>	<p>U</p> <p>4PCS</p>	<p>V</p> <p>18PCS</p>	<p>W</p> <p>W1 W5 W2 W3 W4 2PCS</p>
<p>K</p> <p>5PCS</p>	<p>L</p> <p>10PCS</p>	<p>M</p> <p>2PCS</p>	<p>X</p> <p>37PCS</p>		

<p>1</p>  <p>735*400mm</p>	<p>2</p>  <p>735*400mm</p>	<p>3</p>  <p>1170*399mm</p>	<p>4</p>  <p>1202*400mm</p>		
<p>5</p>  <p>1170*58mm</p>	<p>6</p>  <p>1170*50mm</p>	<p>7</p>  <p>719*383mm</p>	<p>8</p>  <p>719*383mm</p>		
<p>9</p>  <p>646*385.5mm</p>	<p>10</p>  <p>646*385.5mm</p>	<p>11</p>  <p>386*213.5mm</p>	<p>12</p>  <p>386*213.5mm</p>		
<p>13</p>  <p>386*213.5mm</p>	<p>14</p> <p>X3</p>  <p>350*180mm</p>	<p>15</p> <p>X3</p>  <p>350*180mm</p>	<p>16</p> <p>X3</p>  <p>333.5*180mm</p>		
<p>17</p>  <p>373*360mm</p>	<p>18</p>  <p>380.5*360mm</p>	<p>19</p> <p>X3</p>  <p>343.5*347mm</p>	<p>20</p>  <p>729*383mm</p>	<p>21</p>  <p>729*391.5mm</p>	<p>22</p>  <p>729*391.5mm</p>

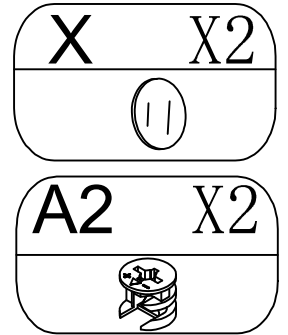
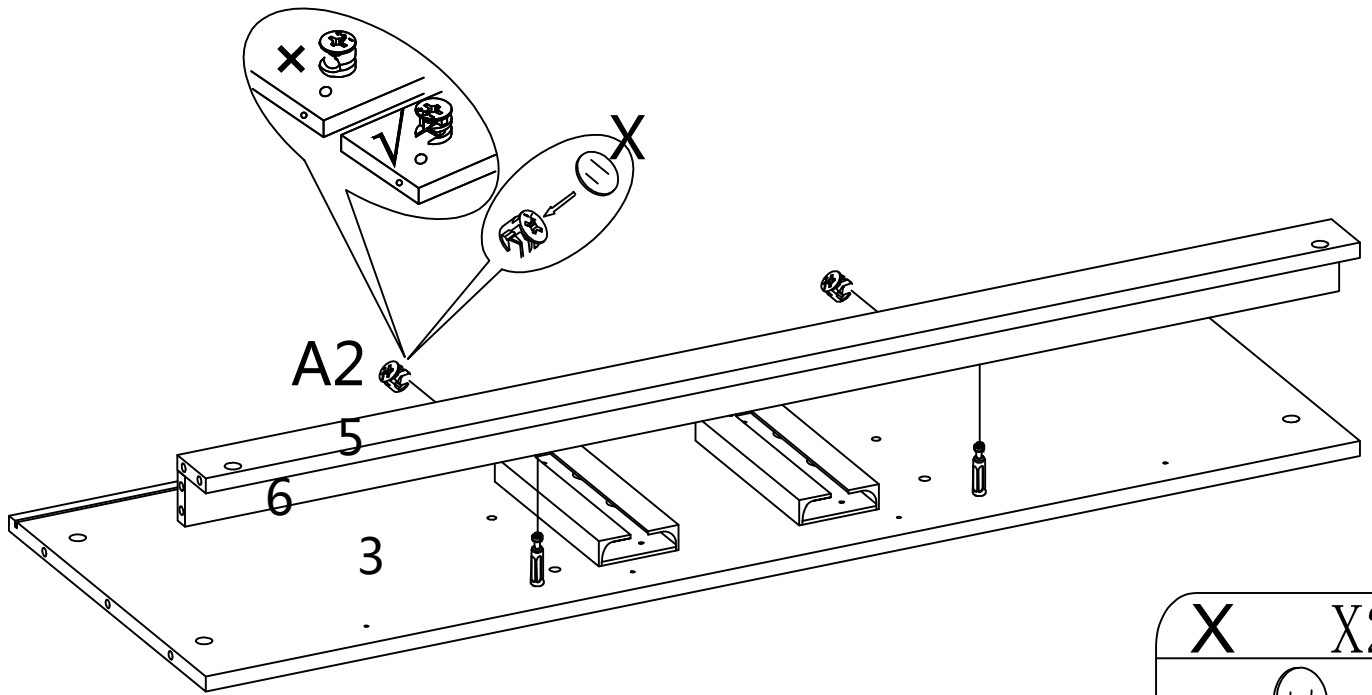
STEP 1



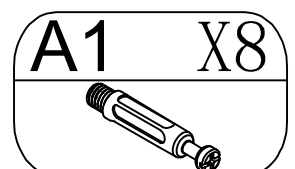
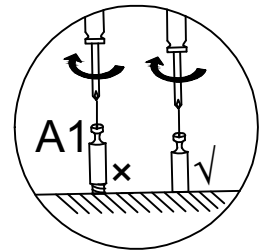
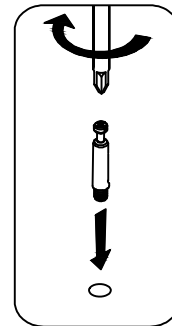
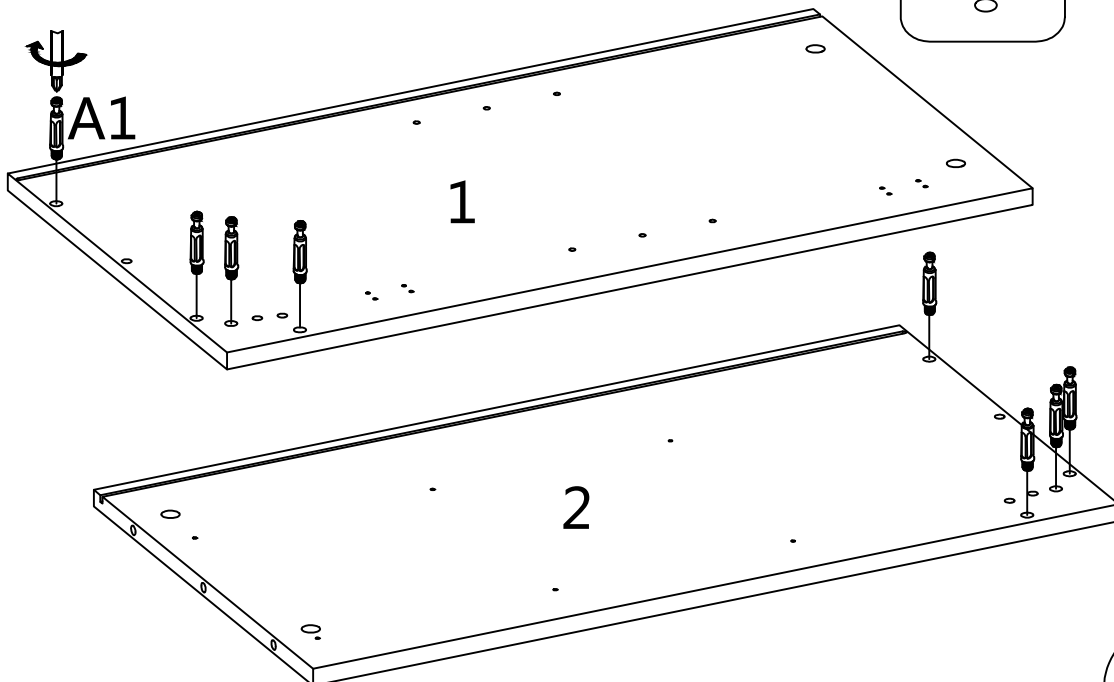
STEP 2



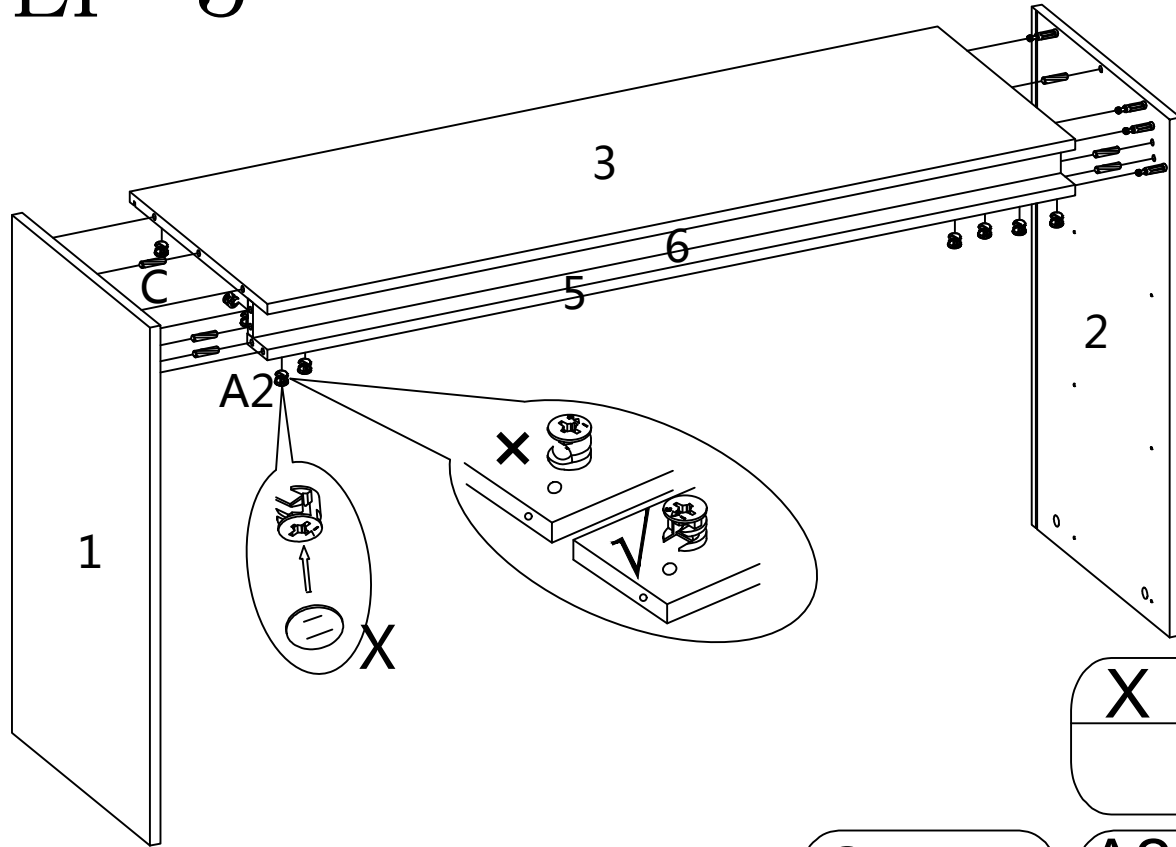
STEP 3



STEP 4

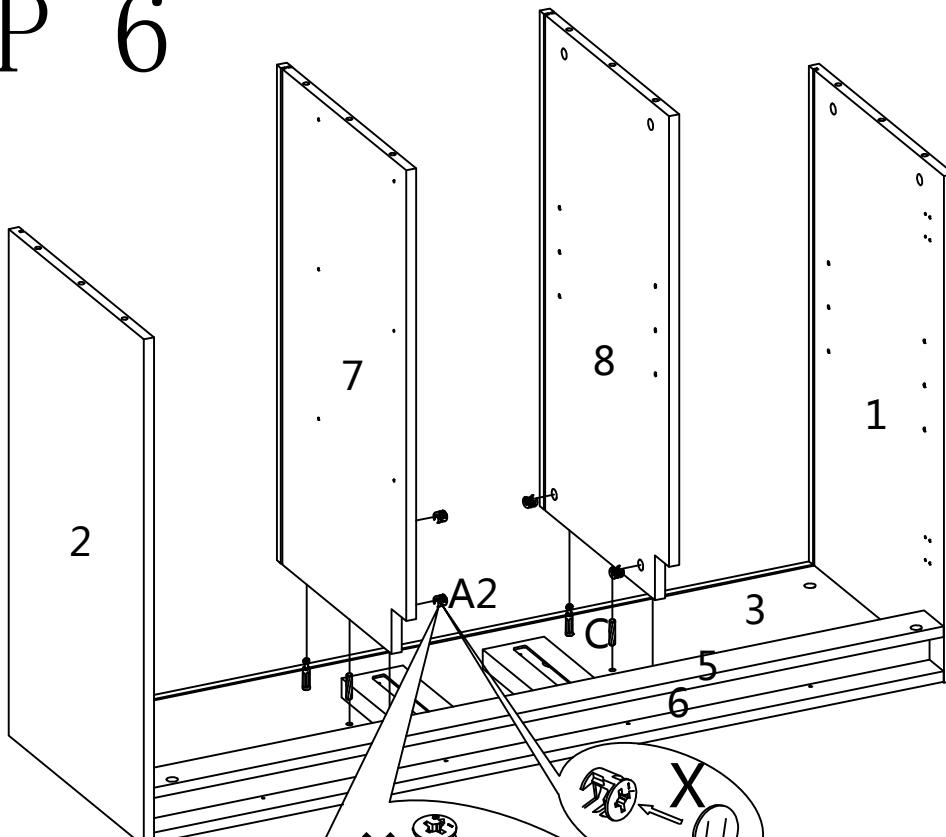


STEP 5



X	X8
(II)	
C	X6
(Dowel)	
A2	X8
(Screw)	

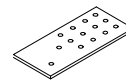
STEP 6



X	X4
(II)	
C	X2
(Dowel)	
A2	X4
(Screw)	

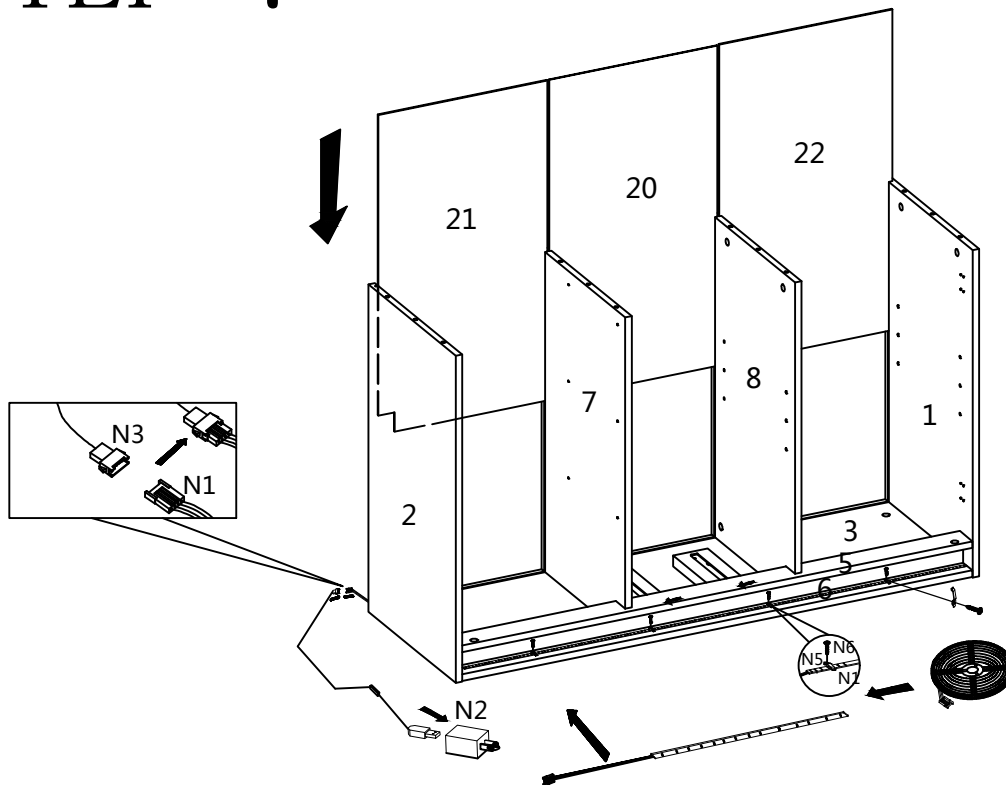
STEP 7

N4

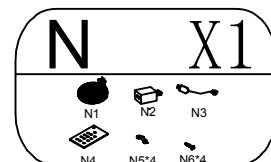


Last: Plug the N2 into the power supply ! N4 can be adjusted !

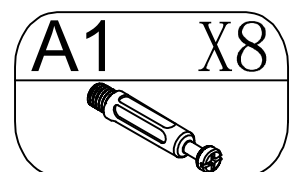
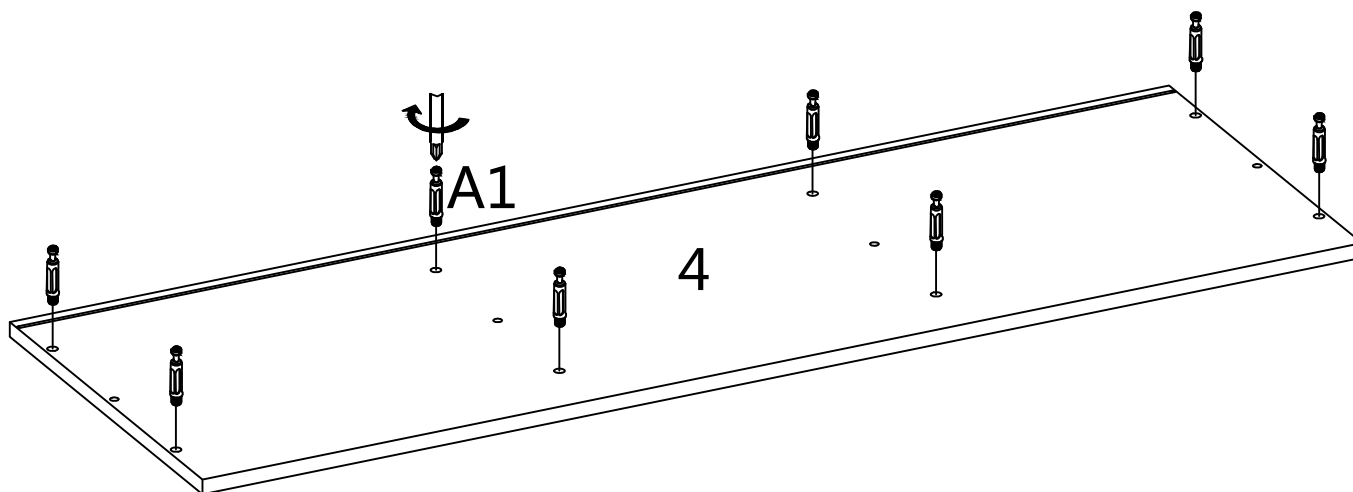
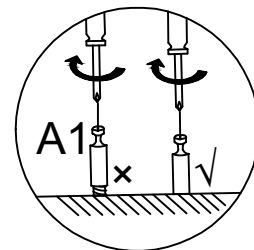
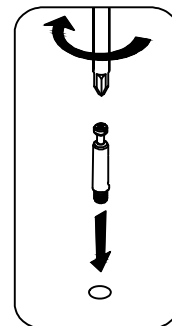
Install the light strip in the direction of the arrow.



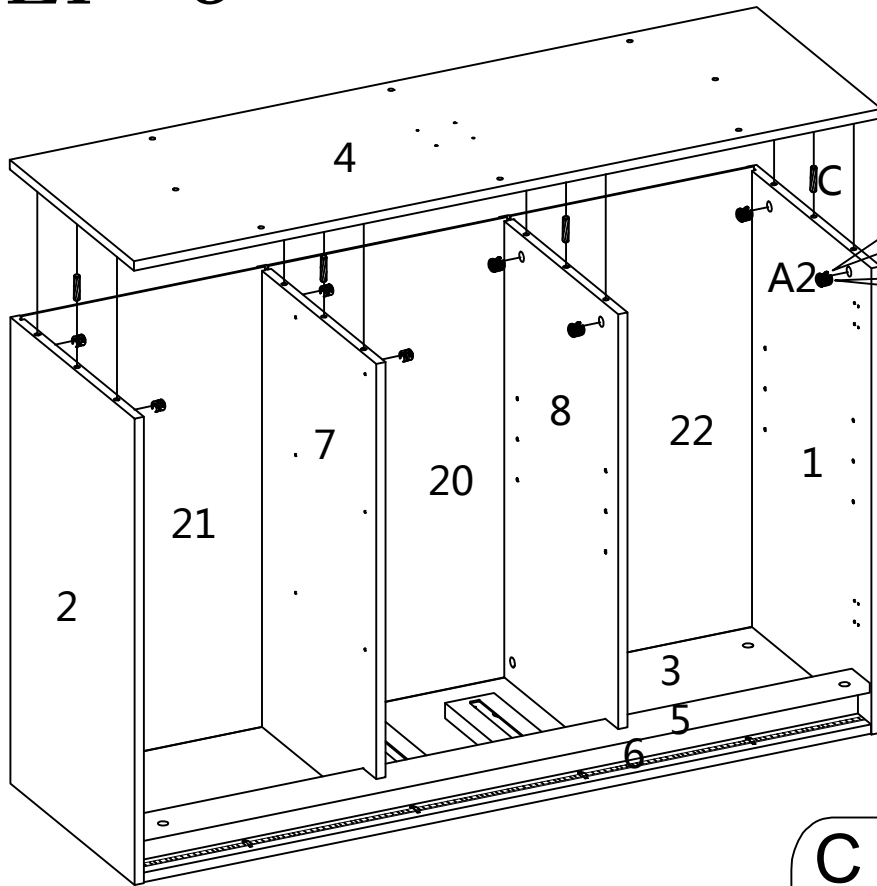
N1 and N3 are connected;
N3 and N2 are connected;


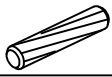



STEP 8

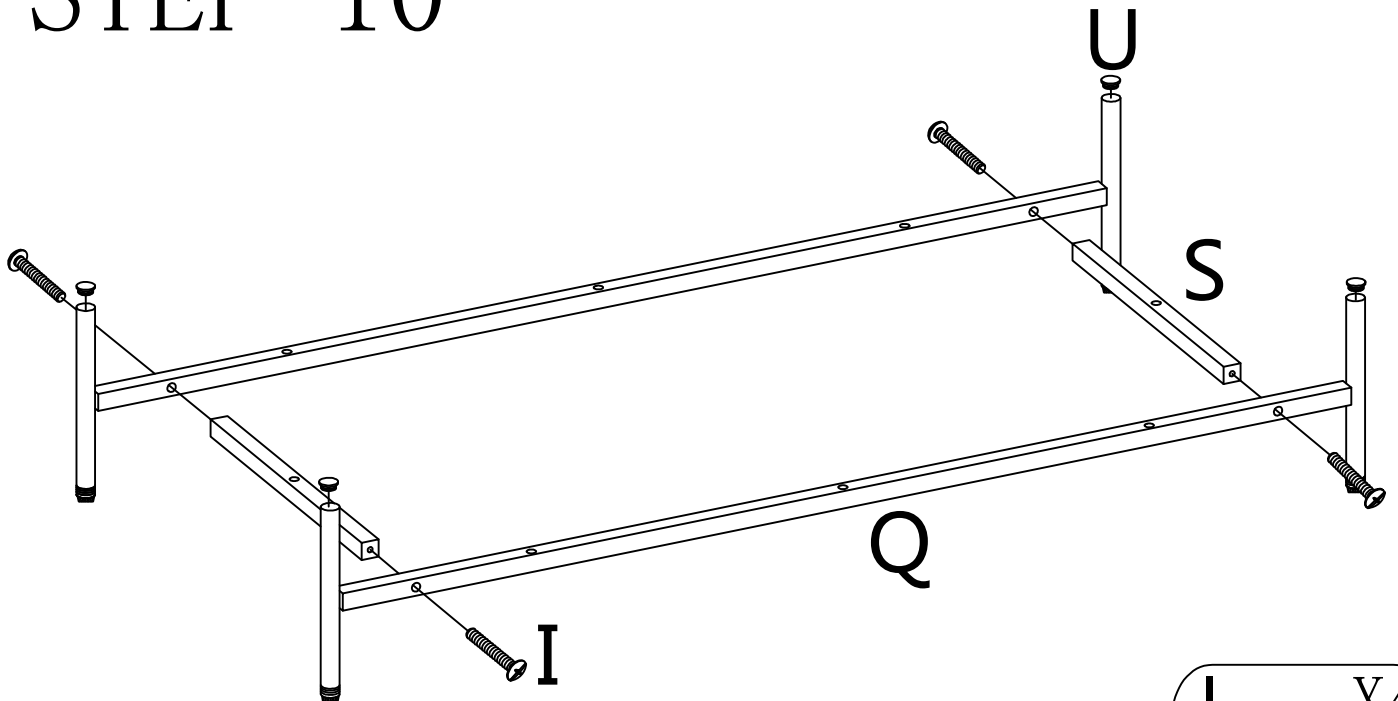


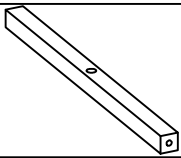

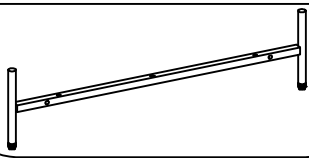
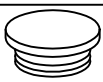
STEP 9



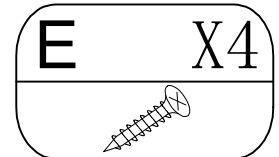
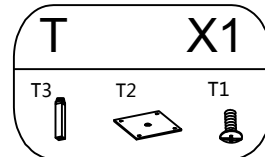
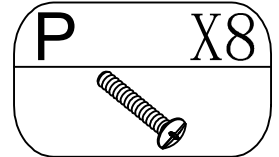
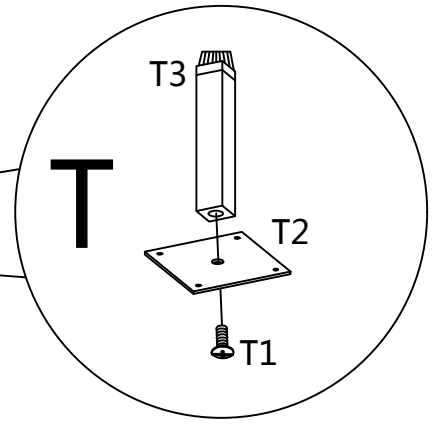
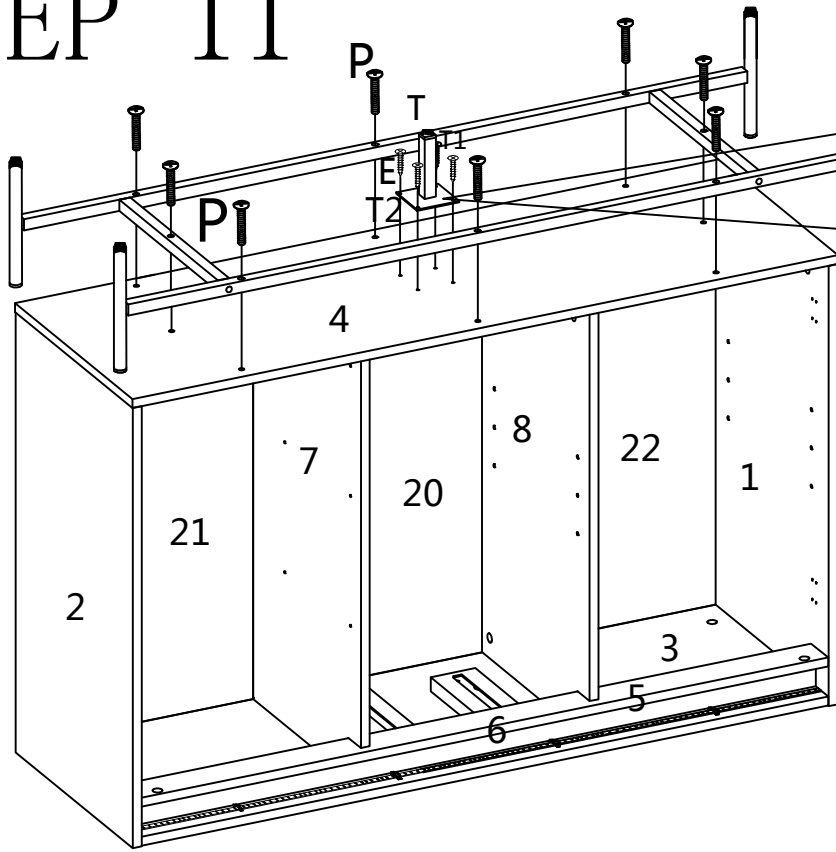
- | | |
|---|----|
| X | X8 |
|  | |
| C | X4 |
|  | |
| A2 | X8 |
|  | |

STEP 10



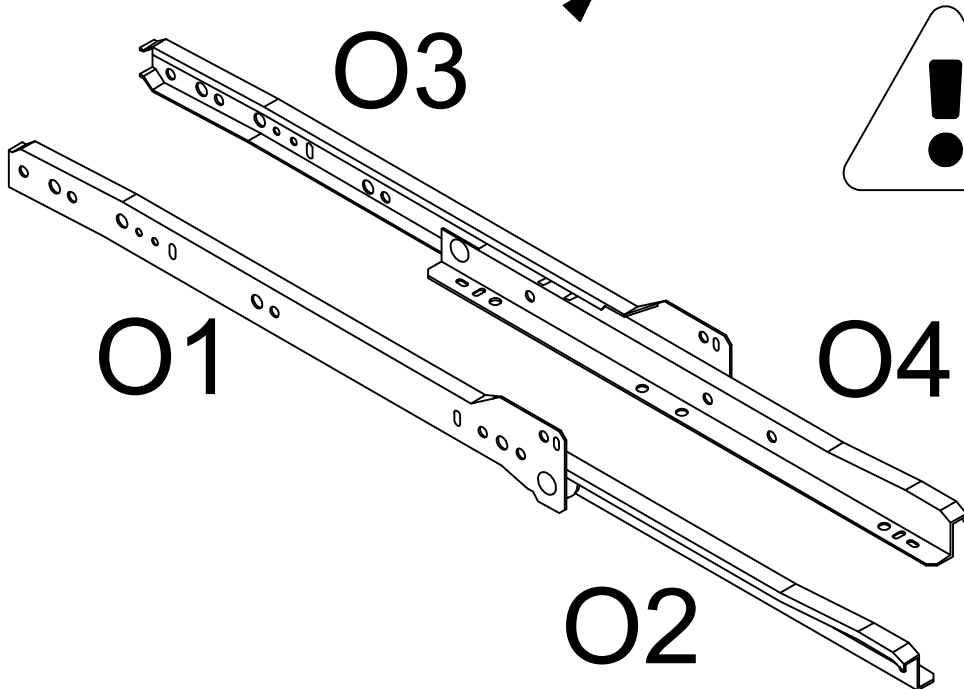
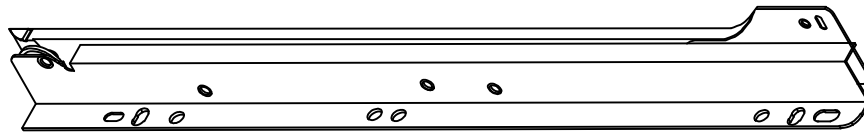
- | | | | |
|--|----|---|----|
| S | X2 | I | X4 |
|  | |  | |
| Q | X2 | U | X4 |
|  | |  | |

STEP 11

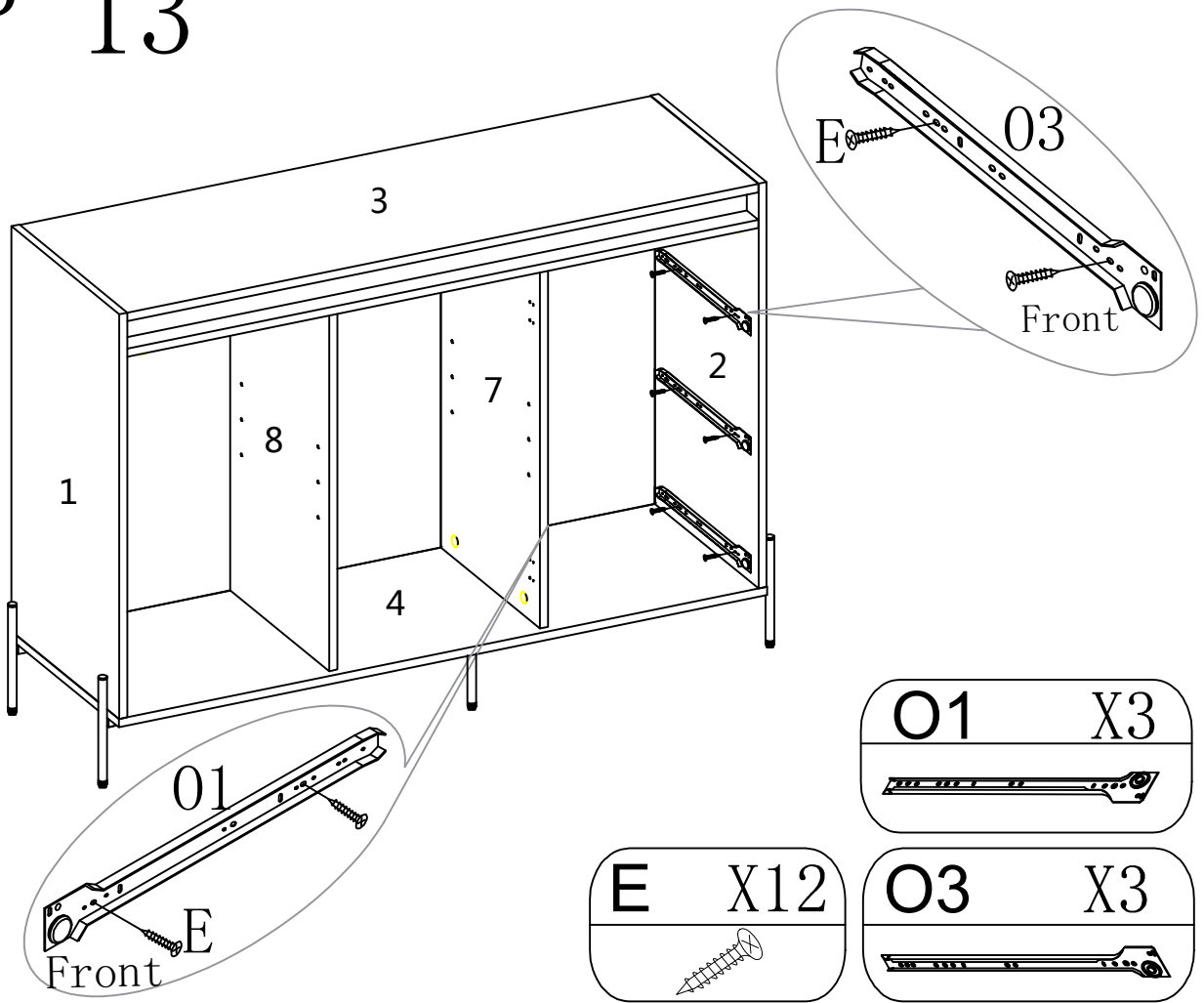


STEP 12

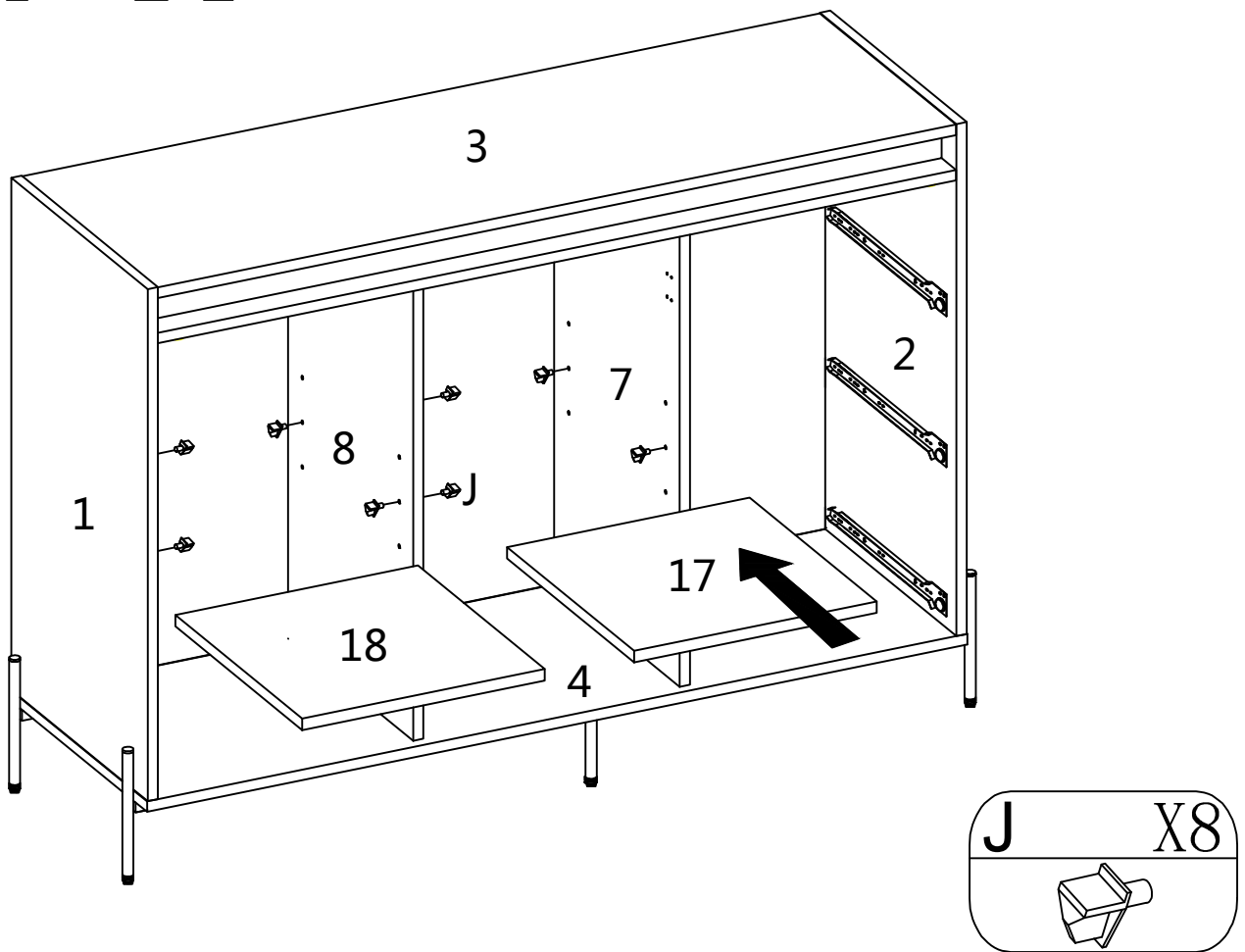
O



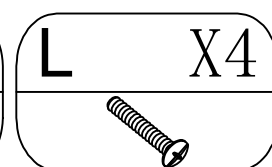
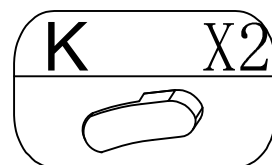
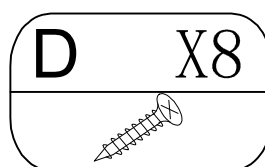
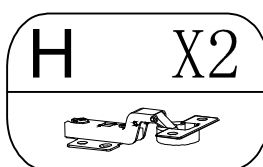
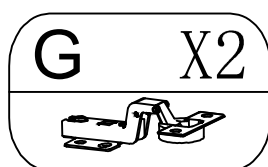
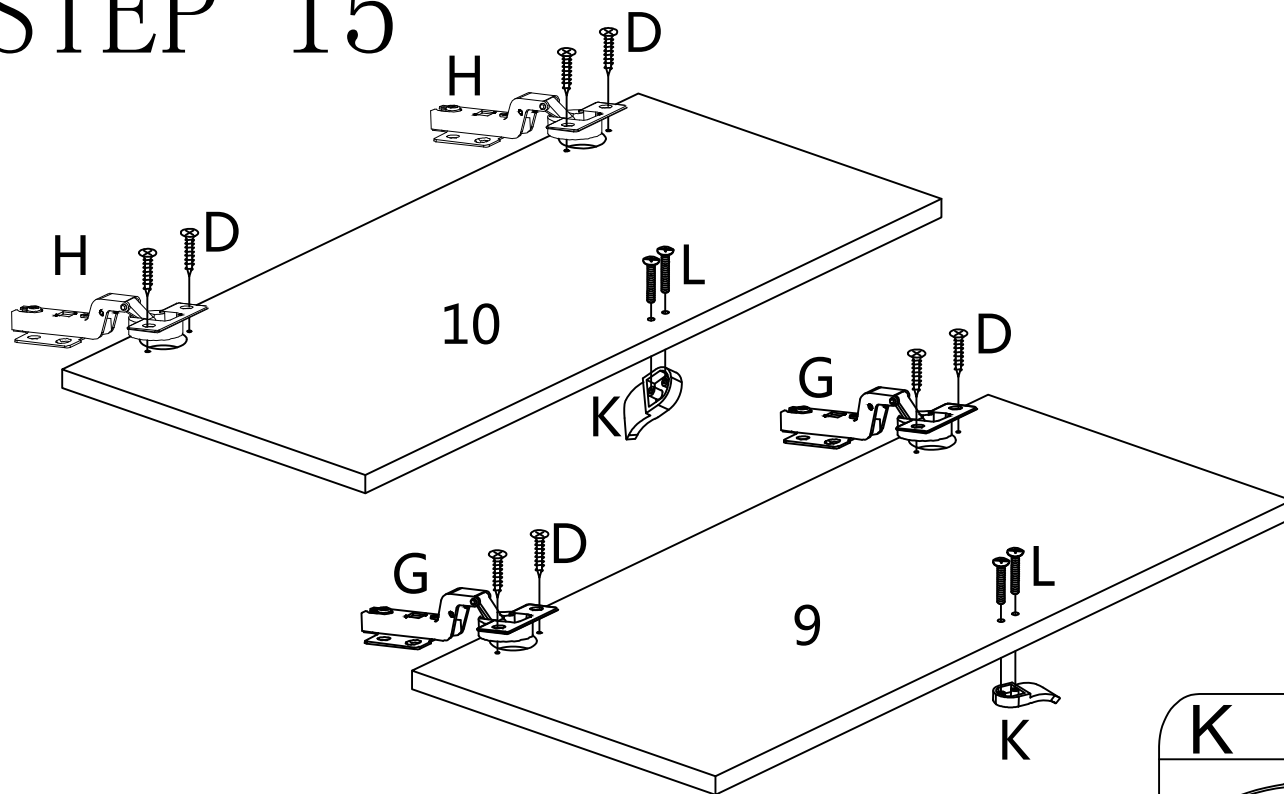
STEP 13



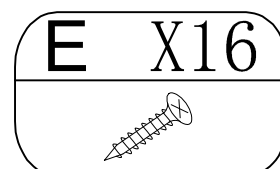
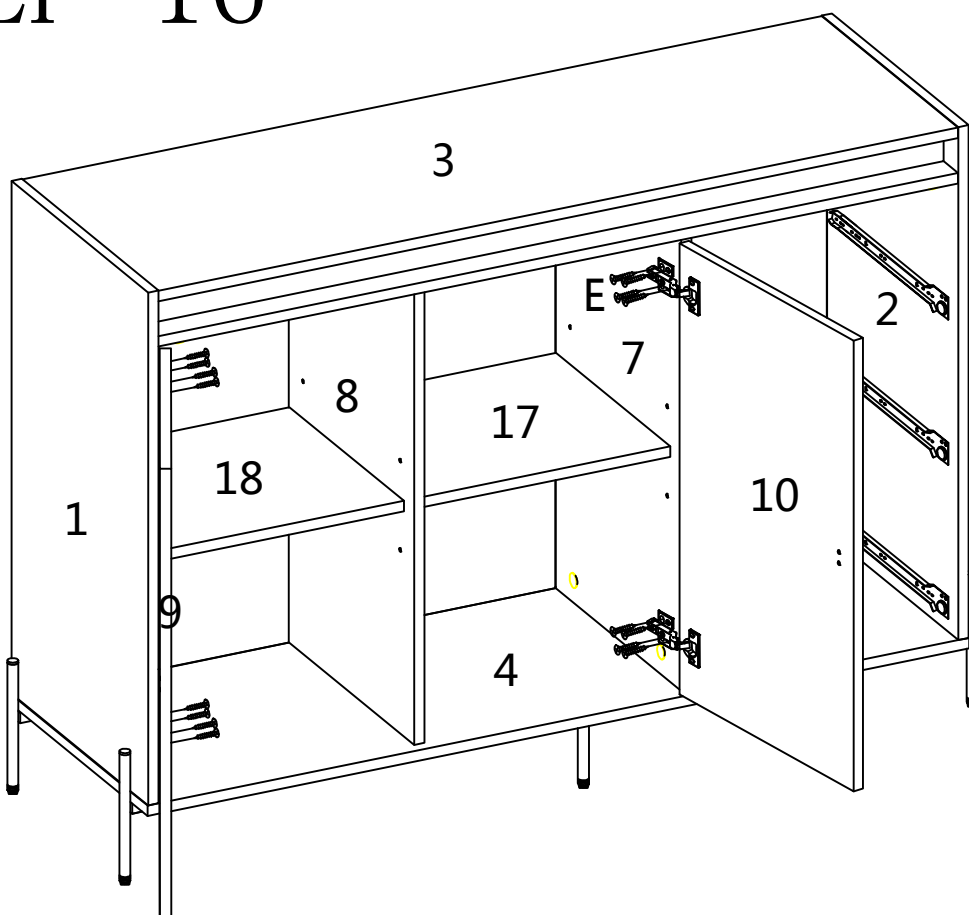
STEP 14



STEP 15

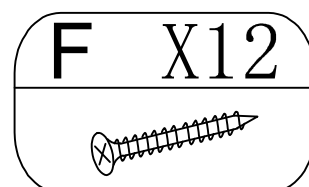
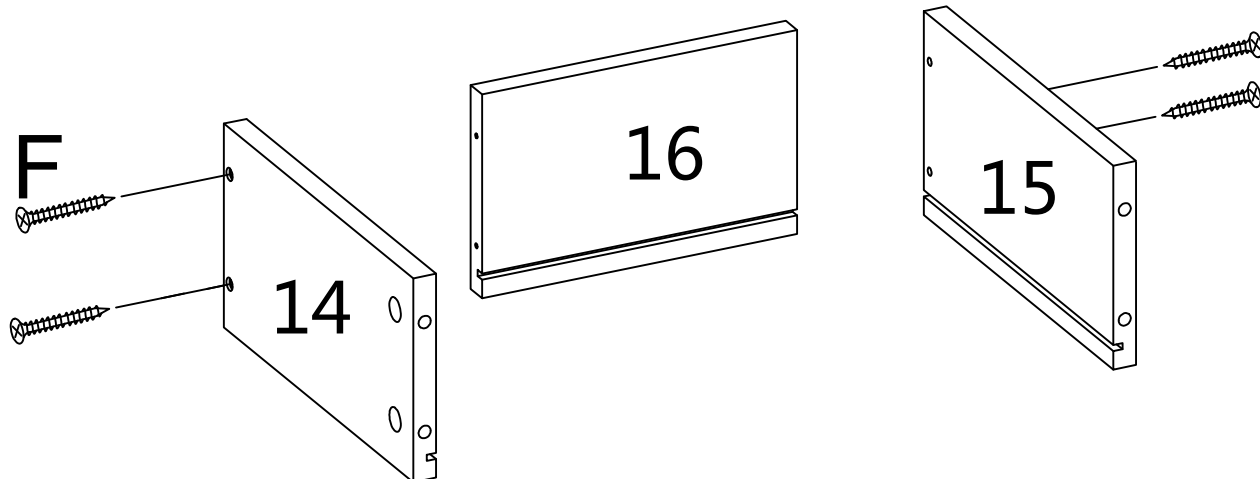


STEP 16



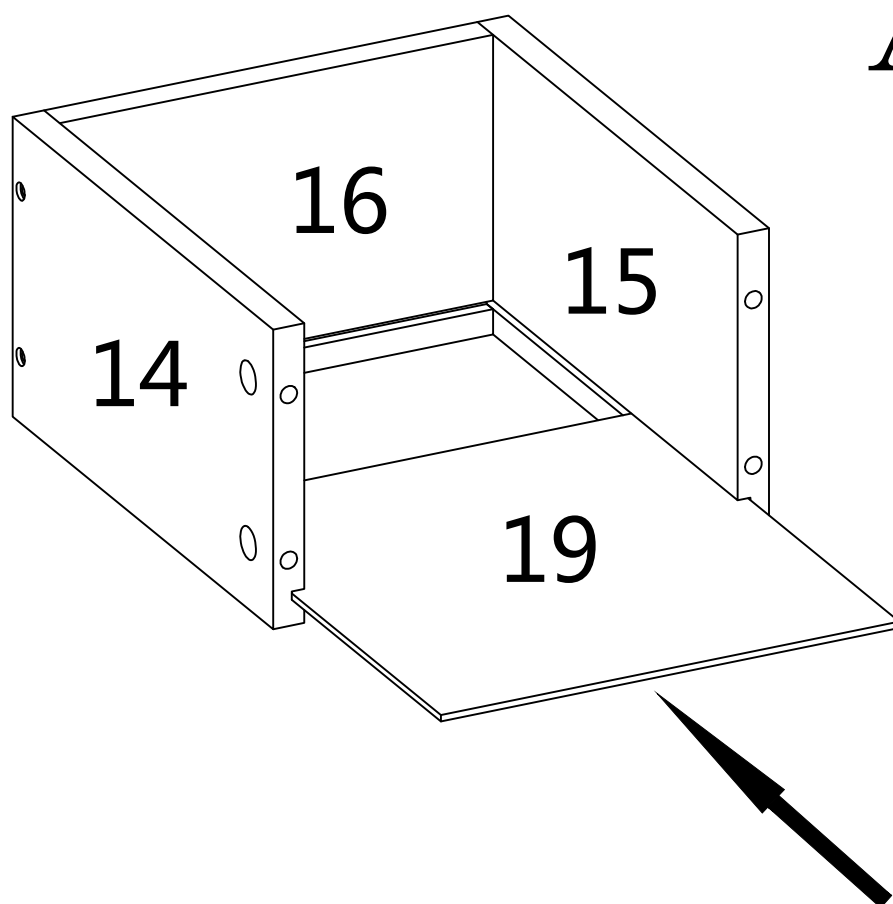
STEP 17

X3

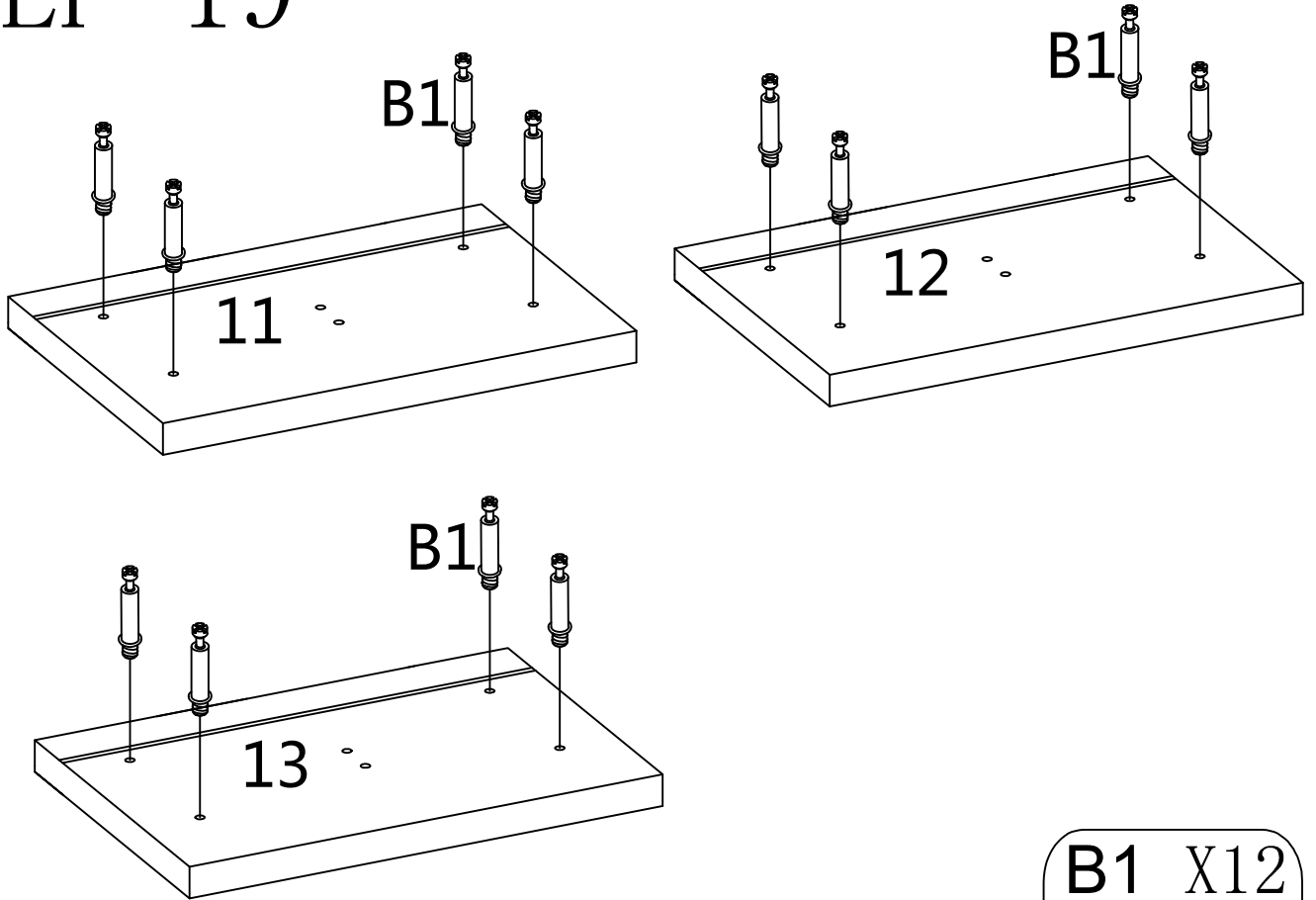



STEP 18

X3

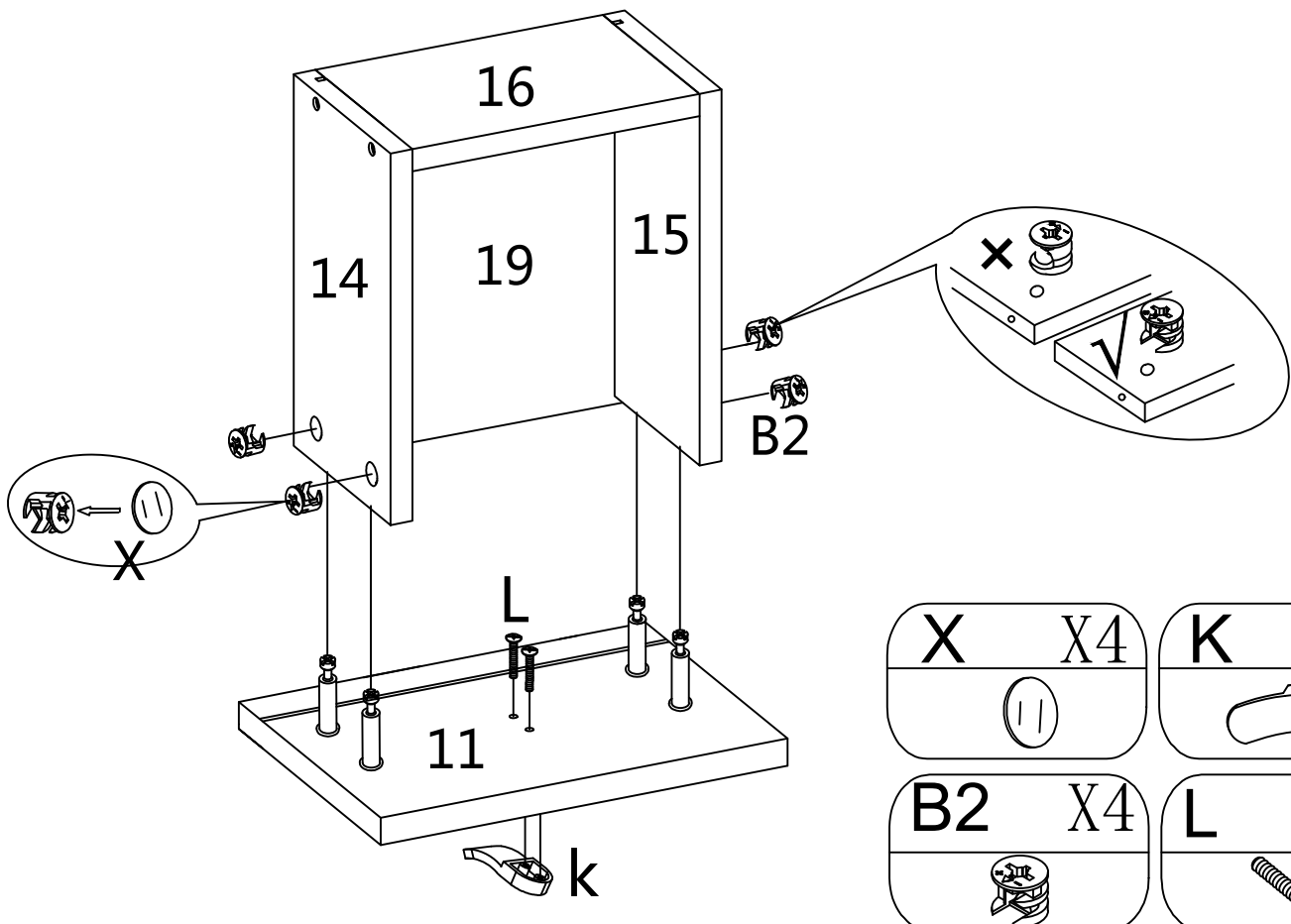


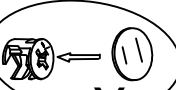



STEP 19



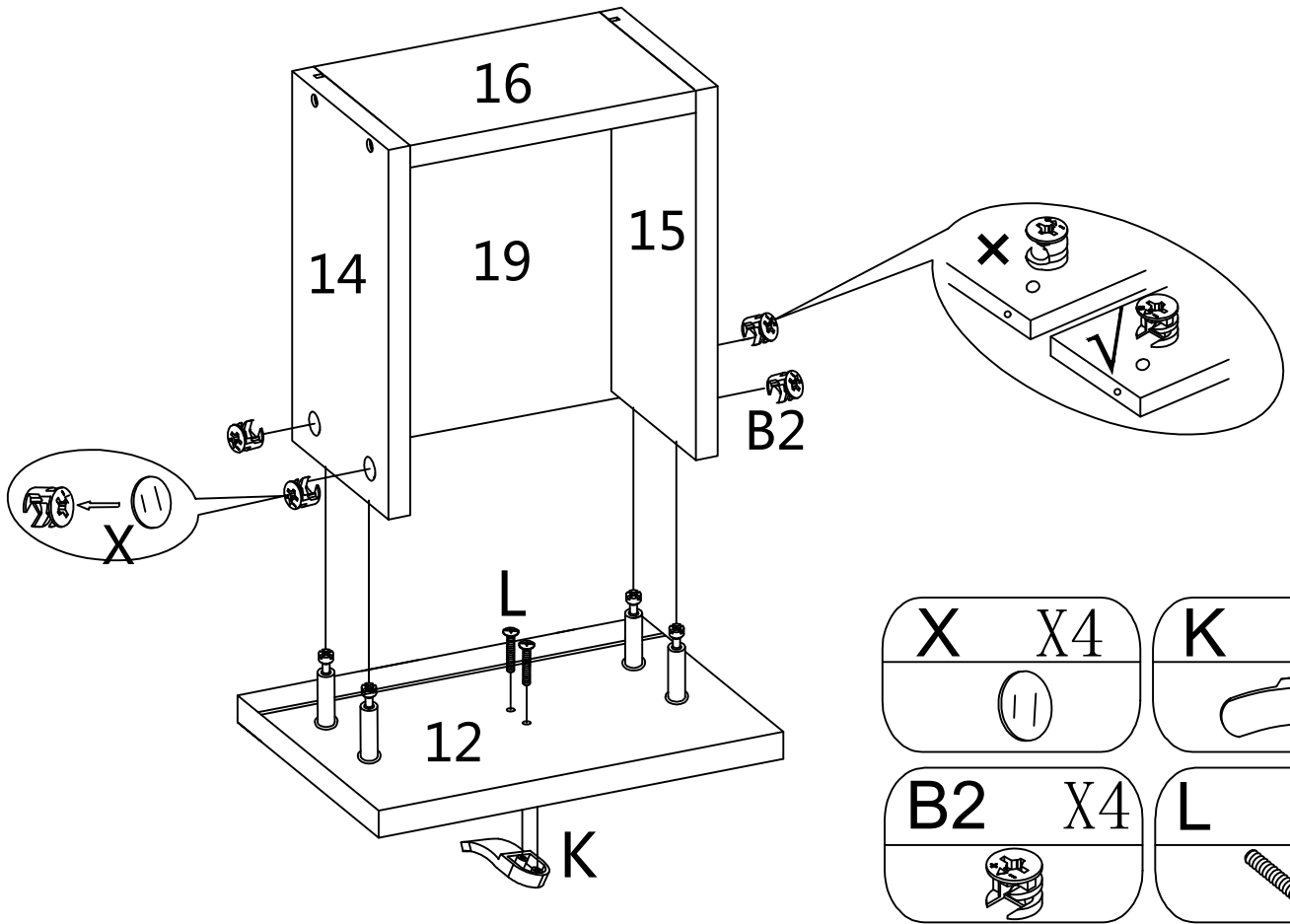
B1	X12
	

STEP 20

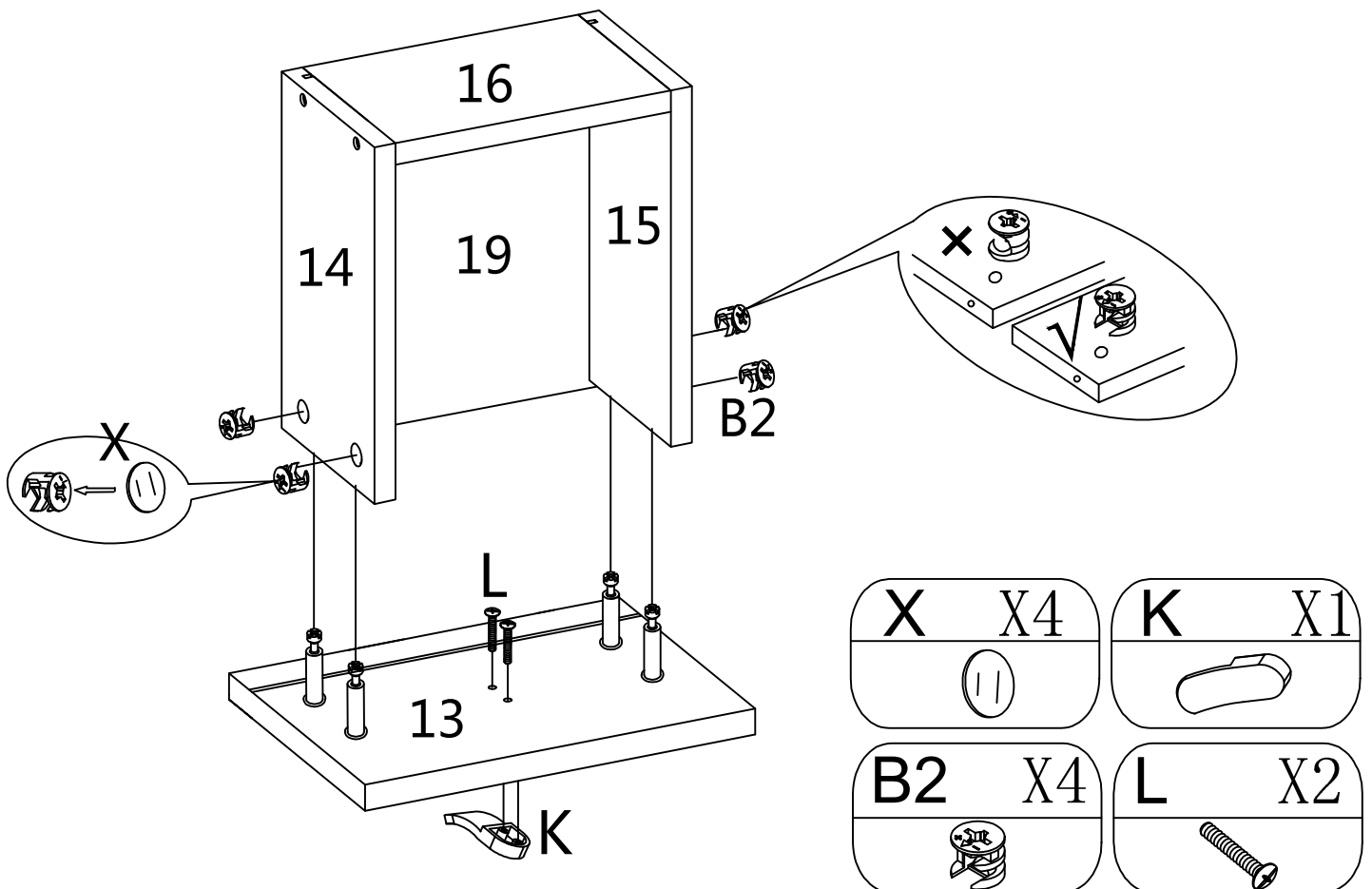


X	X4	K	X1
			
B2	X4	L	X2
			

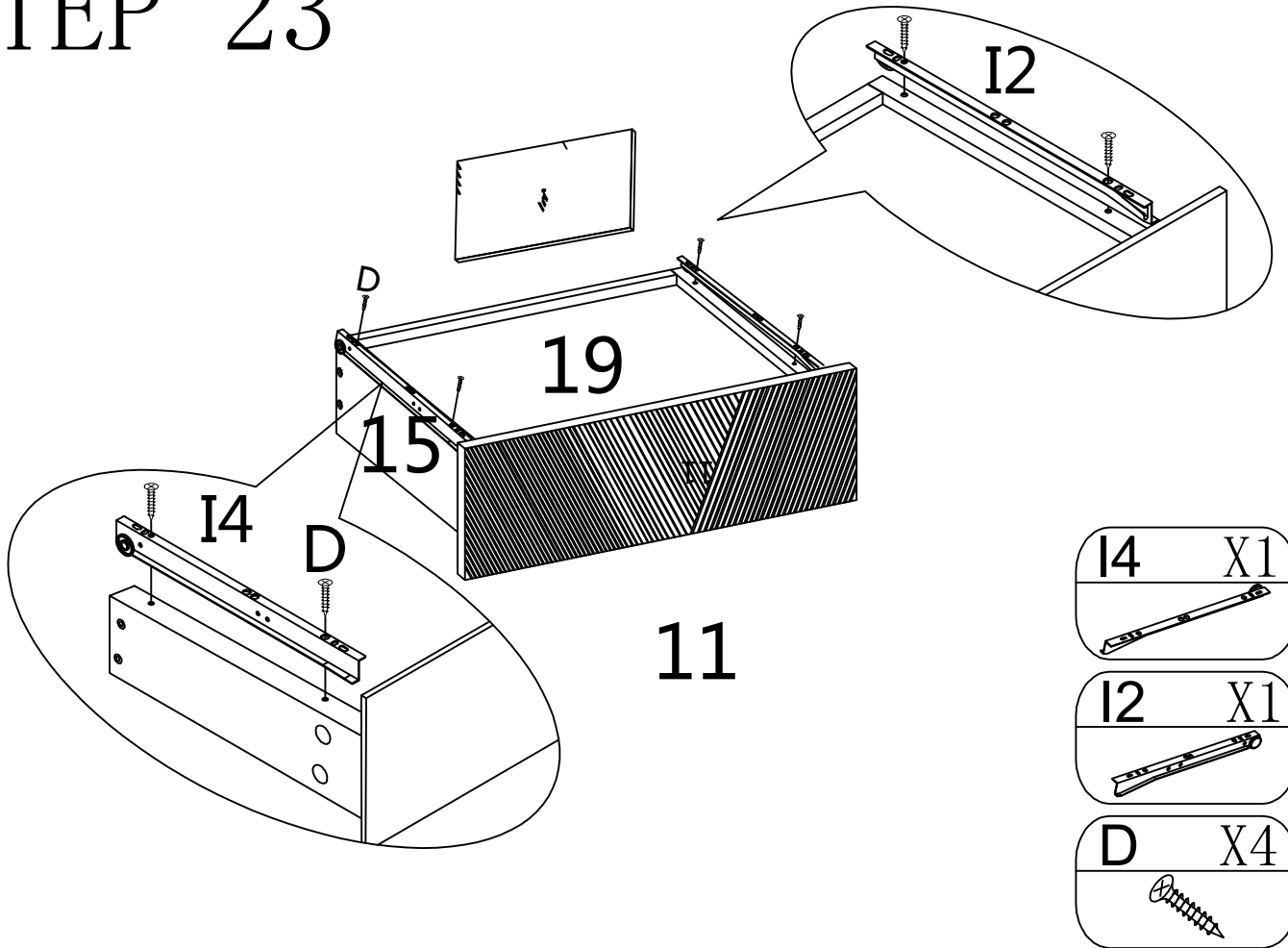
STEP 21



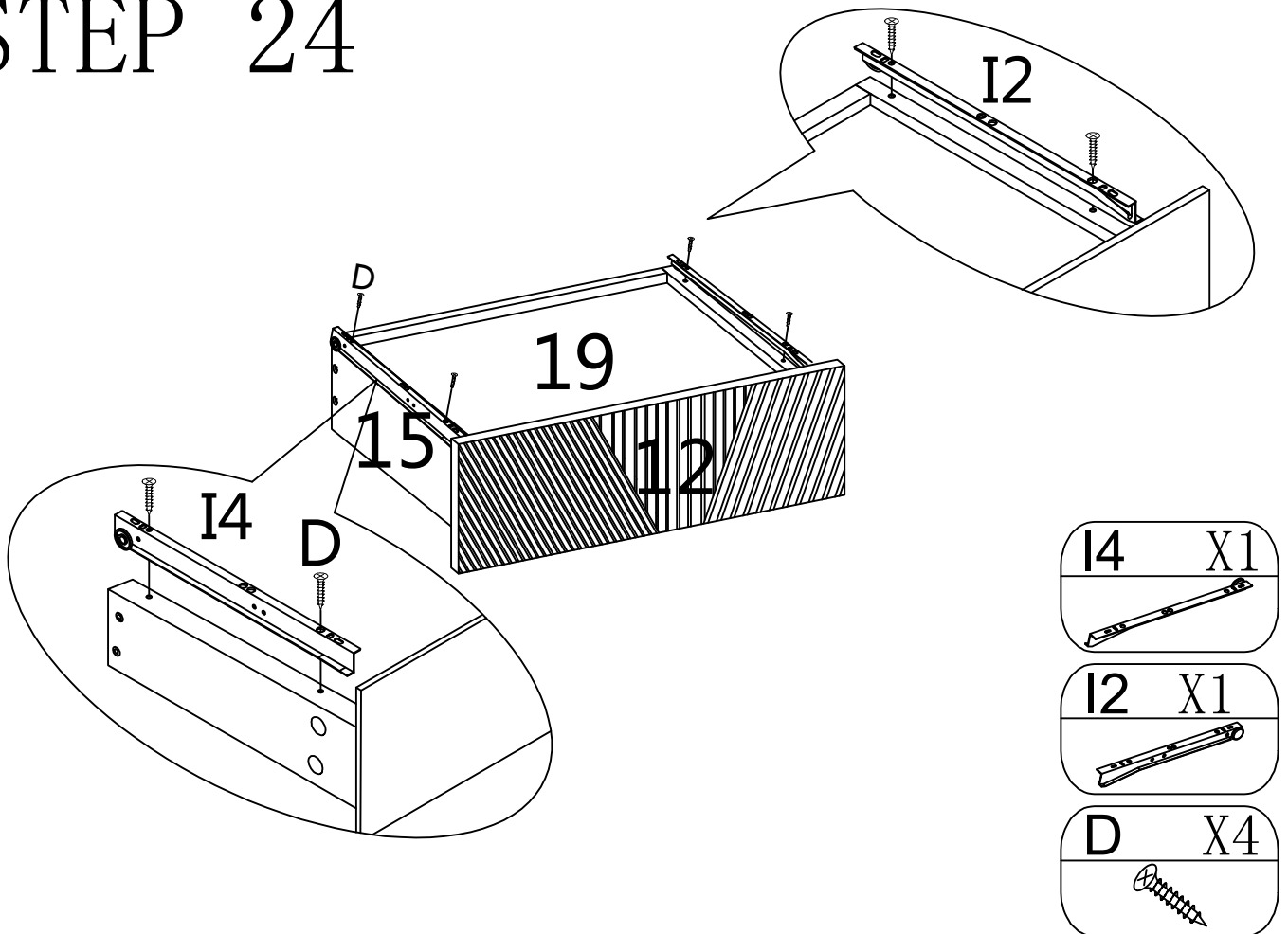
STEP 22



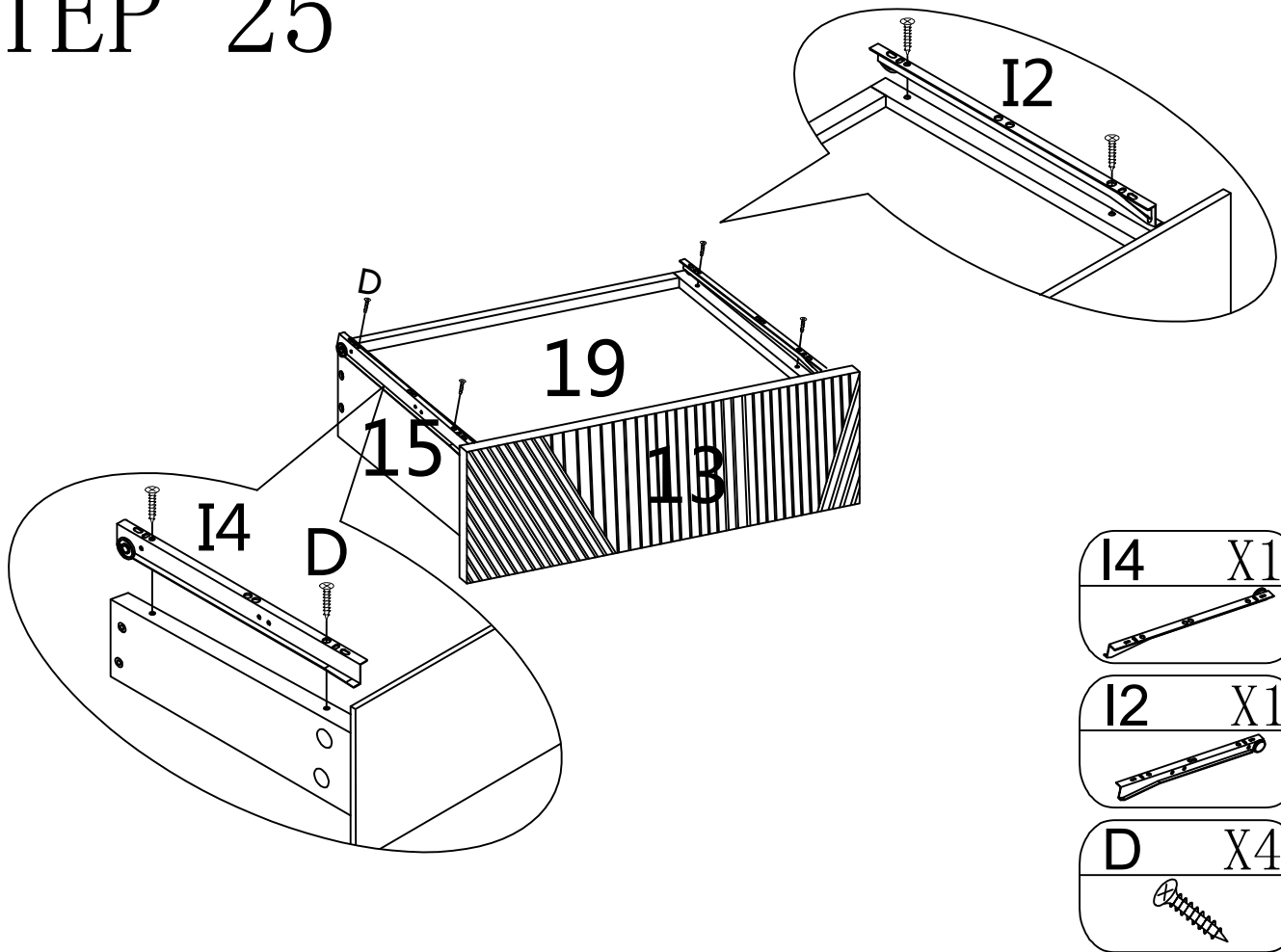
STEP 23



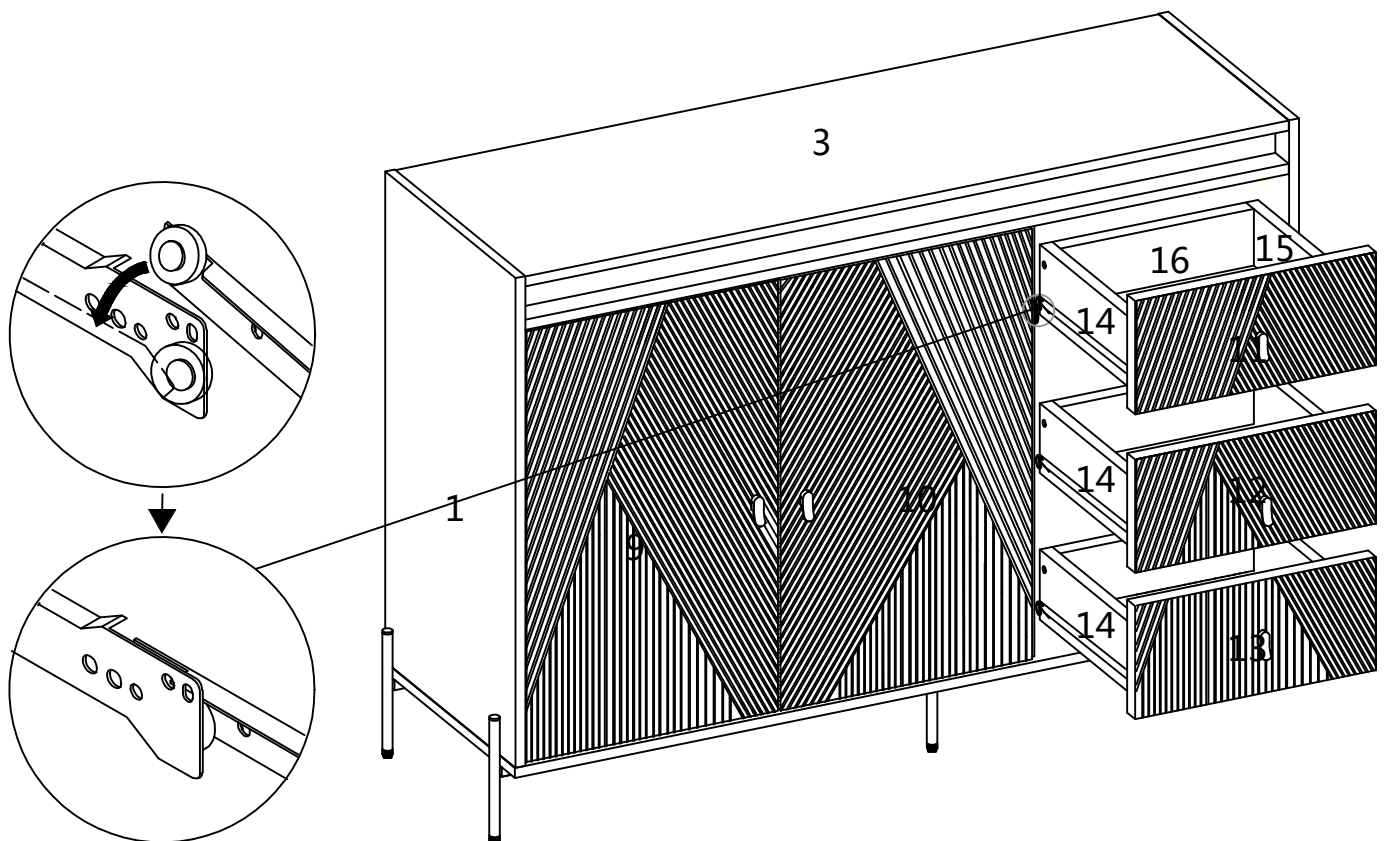
STEP 24



STEP 25

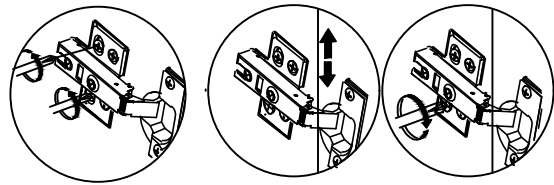
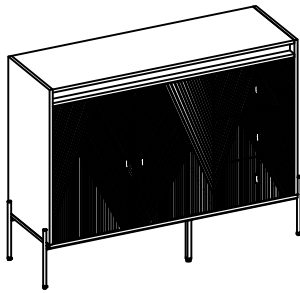


STEP 26

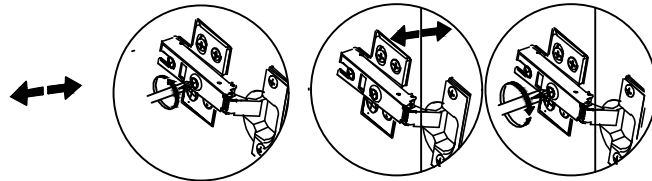
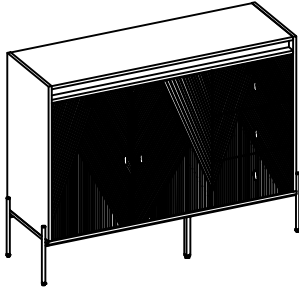


STEP 27

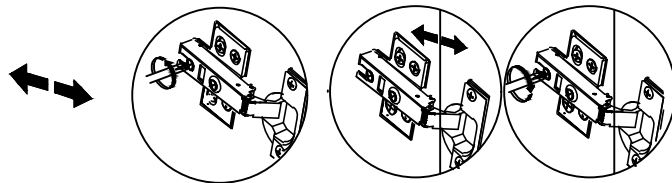
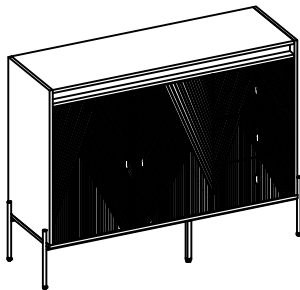
Cabinet door up and down fine adjustment



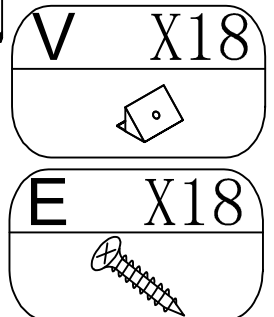
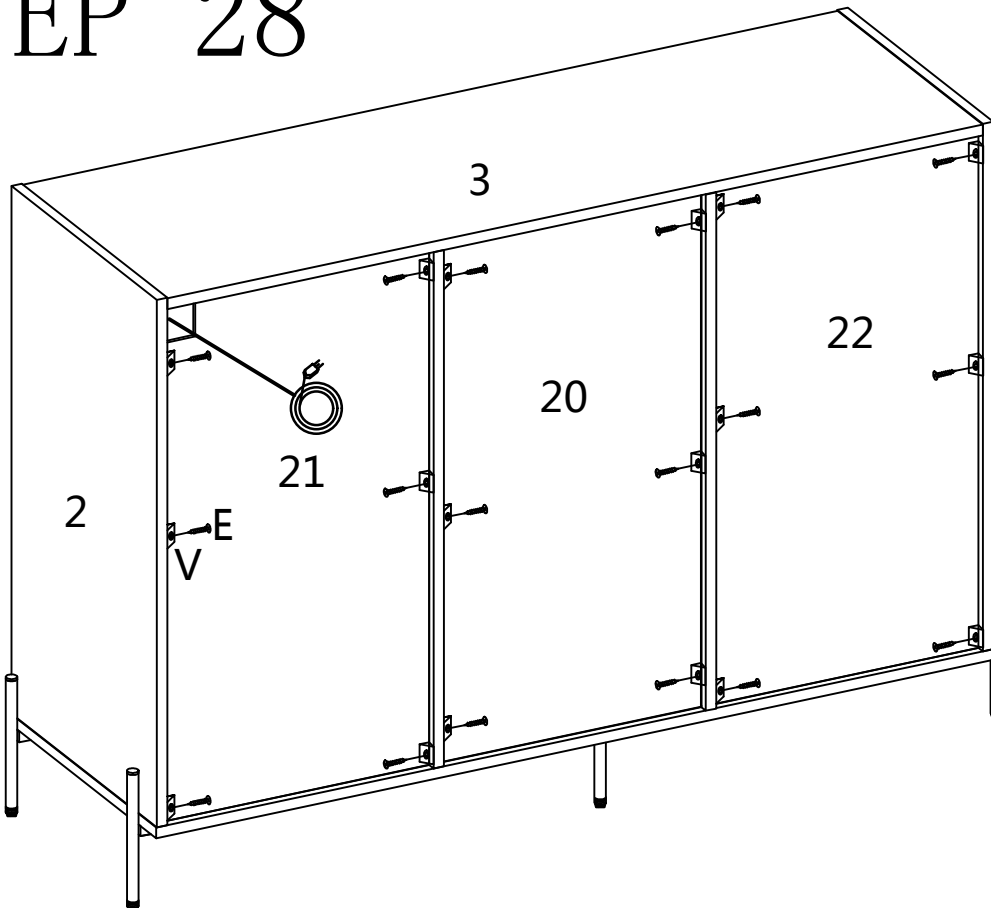
Cabinet door left and right fine adjustment



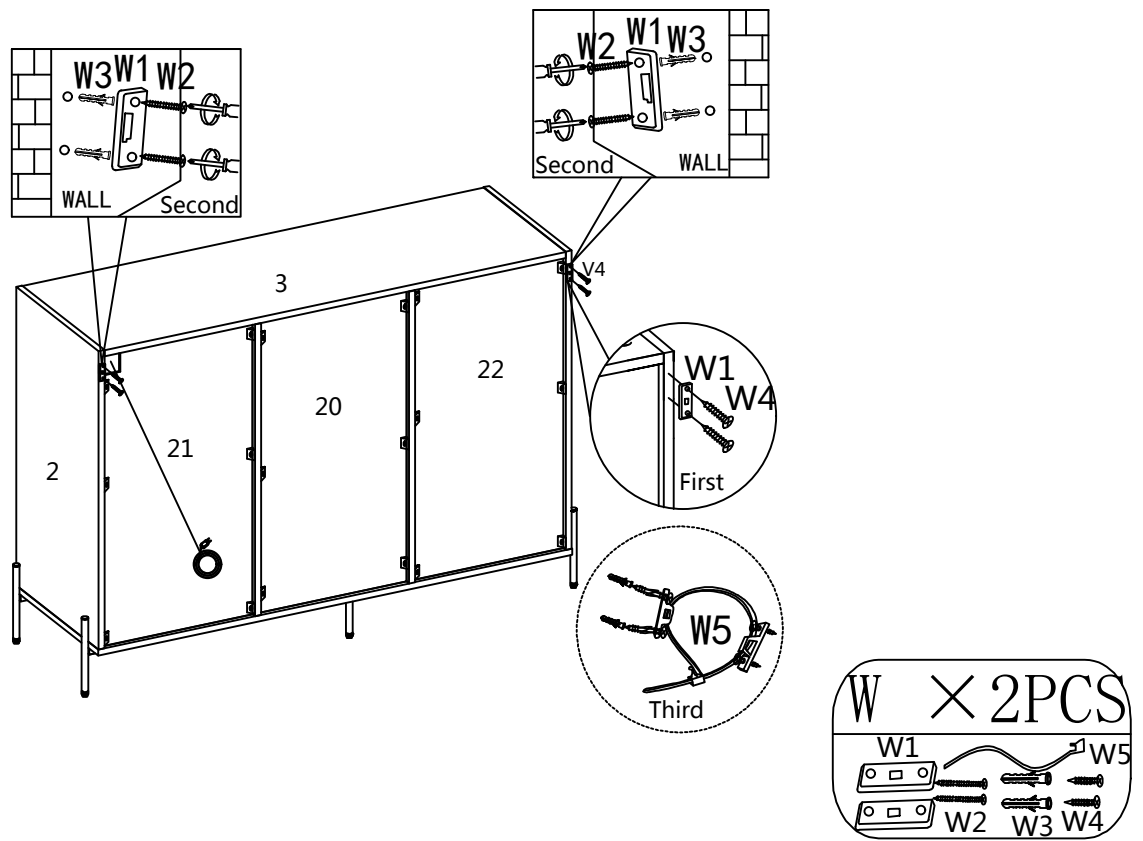
Fine-tune the gap after the cabinet door is closed



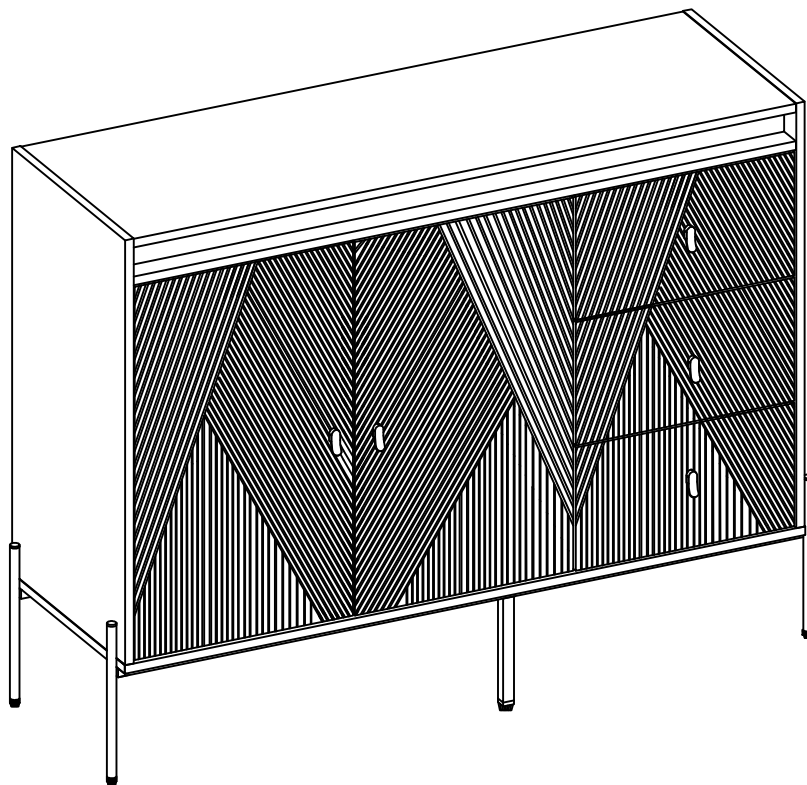
STEP 28



STEP 29



STEP 30



END