
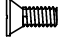


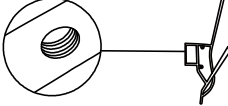
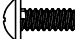
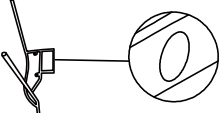

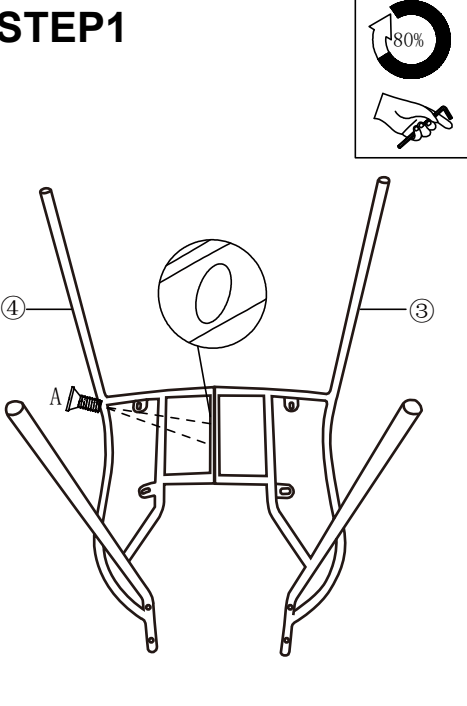


Assembly Instruction

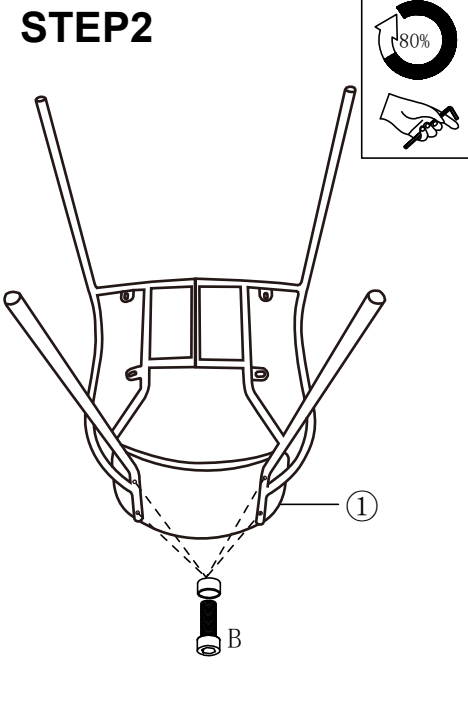
①*1pc		A*2+1EXT	 M8*16MM
②*1pc		B*4+1EXT	 M6*16MM+6MM
③*1pcs		C*4+1EXT	 M6*16MM
④*1pc		G*1	 M6

STEP1



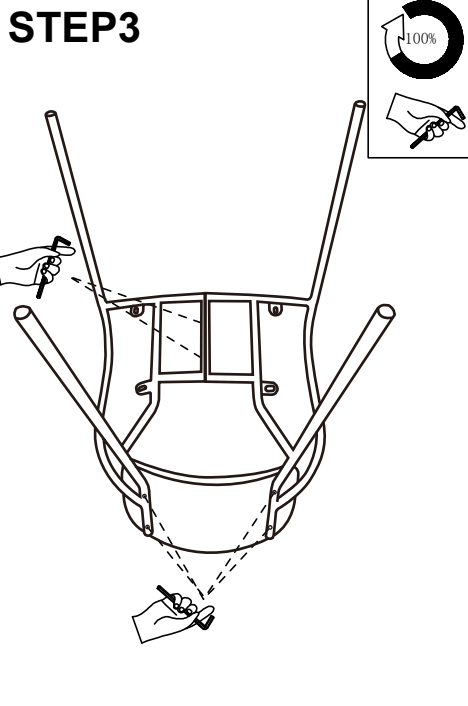
80%

STEP2



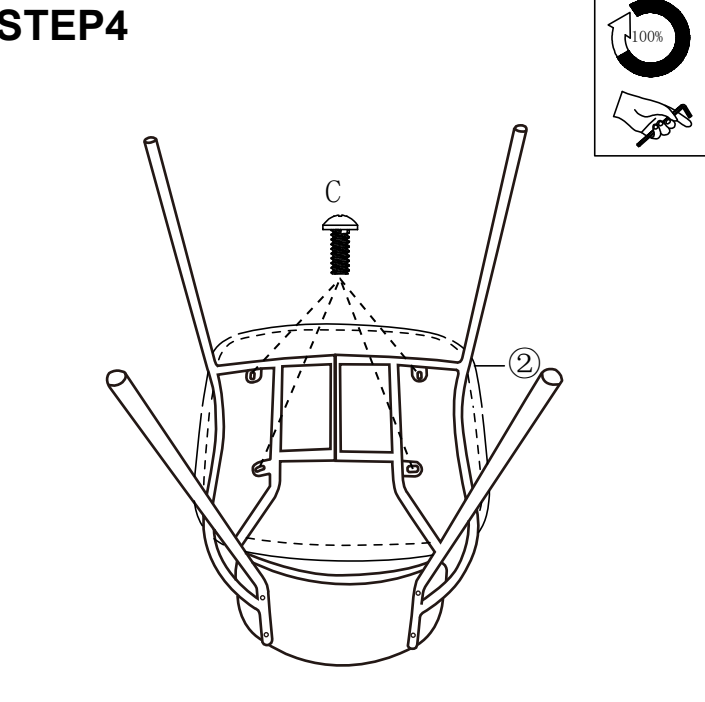
80%

STEP3




100%

STEP4



100%

STEP5



100%