

ASSEMBLY INSTRUCTIONS



ASSEMBLY INSTRUCTIONS

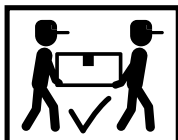
ASSEMBLY TIPS:

1. Remove hardware from box and sort by size.
2. Please check to see that all hardware and parts are present prior to start of assembly.
3. Please follow attached instructions in the same sequence as numbered to assure fast & easy assembly.



WARNING !

1. Don't attempt to repair or modify parts that are broken or defective. Please contact the store immediately.
2. This product is for home use only and not intended for commercial establishment.

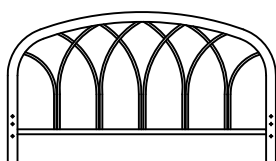


ASSEMBLY TIME

20 MINUTE

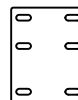
PARTS IDENTIFICATION

A HEADBOARD



1PC

C ADJUSTING PLATE



2PCS

B SUPPORT LEG





2PCS

HARDWARE IDENTIFICATION

1 BOLT
(1/4"x2-3/4" - BLK)  4PCS

5 NUT
(ϕ 1/4"x8mm - BLK)  8PCS

2 BOLT
(1/4"x7/8" - BLK)  4PCS

6 PLASTIC END CAP
(ϕ 1-1/2" - BLK)  2PCS

3 WASHER
(ϕ 5/8" - BLK)  12PCS

7 ALLEN KEY
(4x22X60mm - BLK)  1PC

4 PLASTIC WASHER
(ϕ 1" - BLK)  8PCS

8 WRENCH
(11.3x12.5X55mm - WHT)  1PC

NOTE:

Phillips head screw driver is required in the assembly process; however, manufacturer does not provide this item.

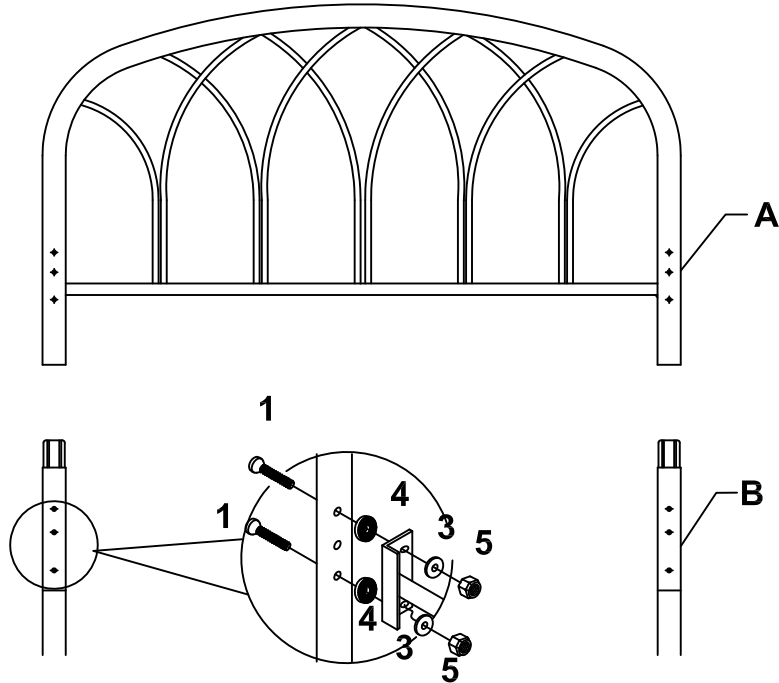
ASSEMBLY INSTRUCTIONS

STEP 1:

ASSEMBLY

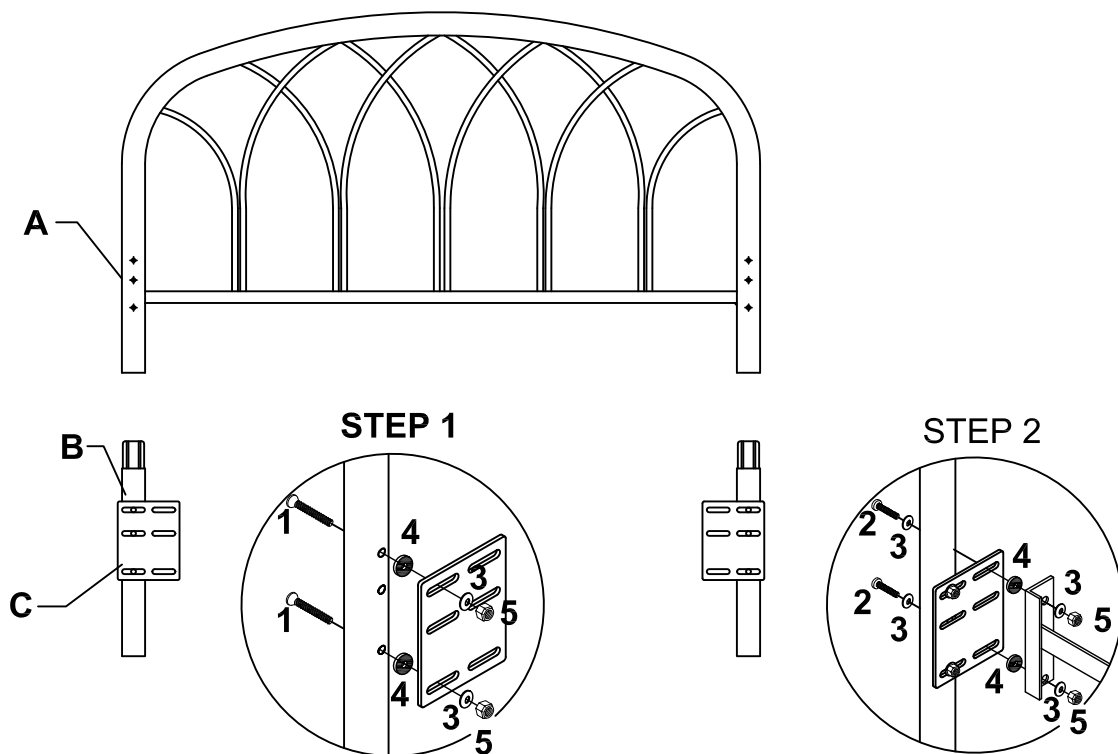
Do not fully tighten all bolts until assembly is complete.
This will help all parts to assemble properly.

60" ASSEMBLY INSTRUCTIONS



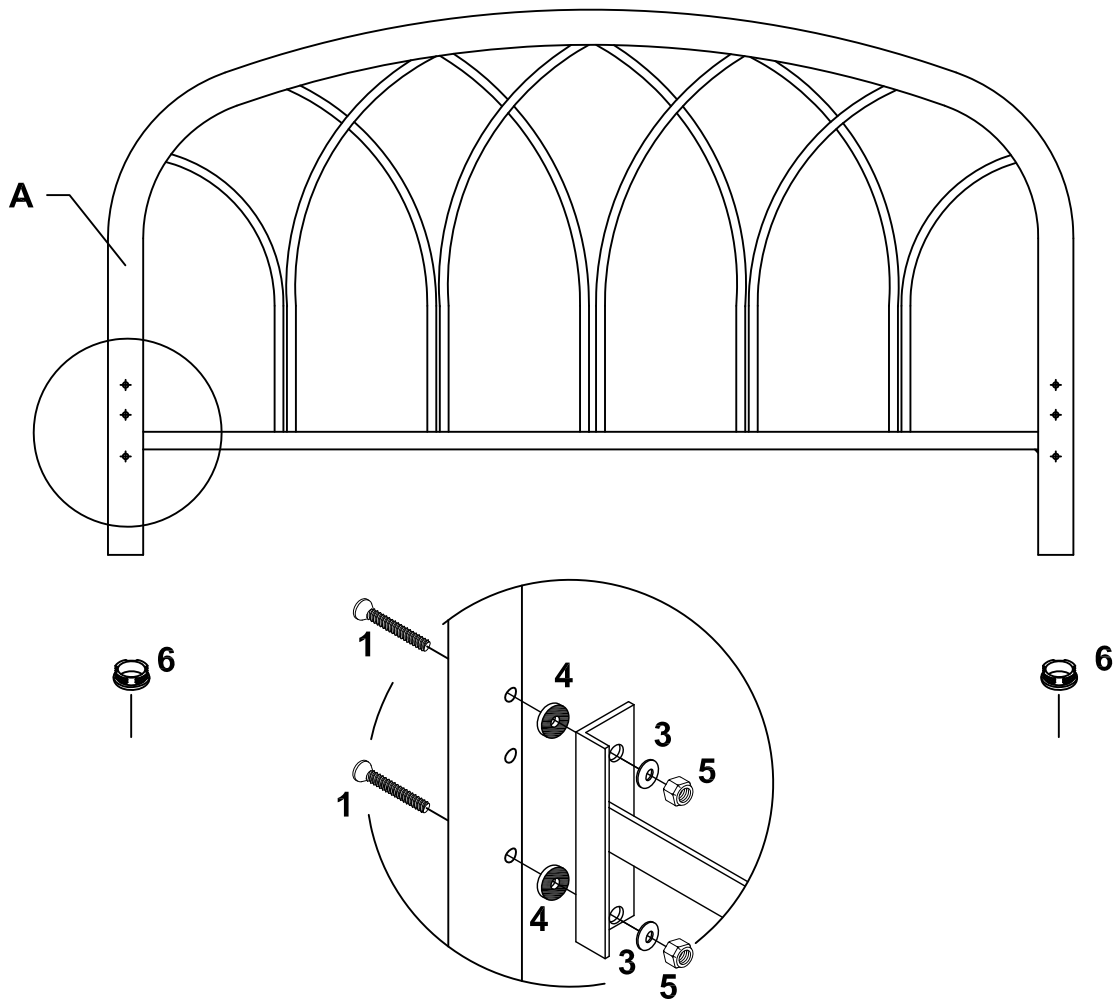
STEP 2:

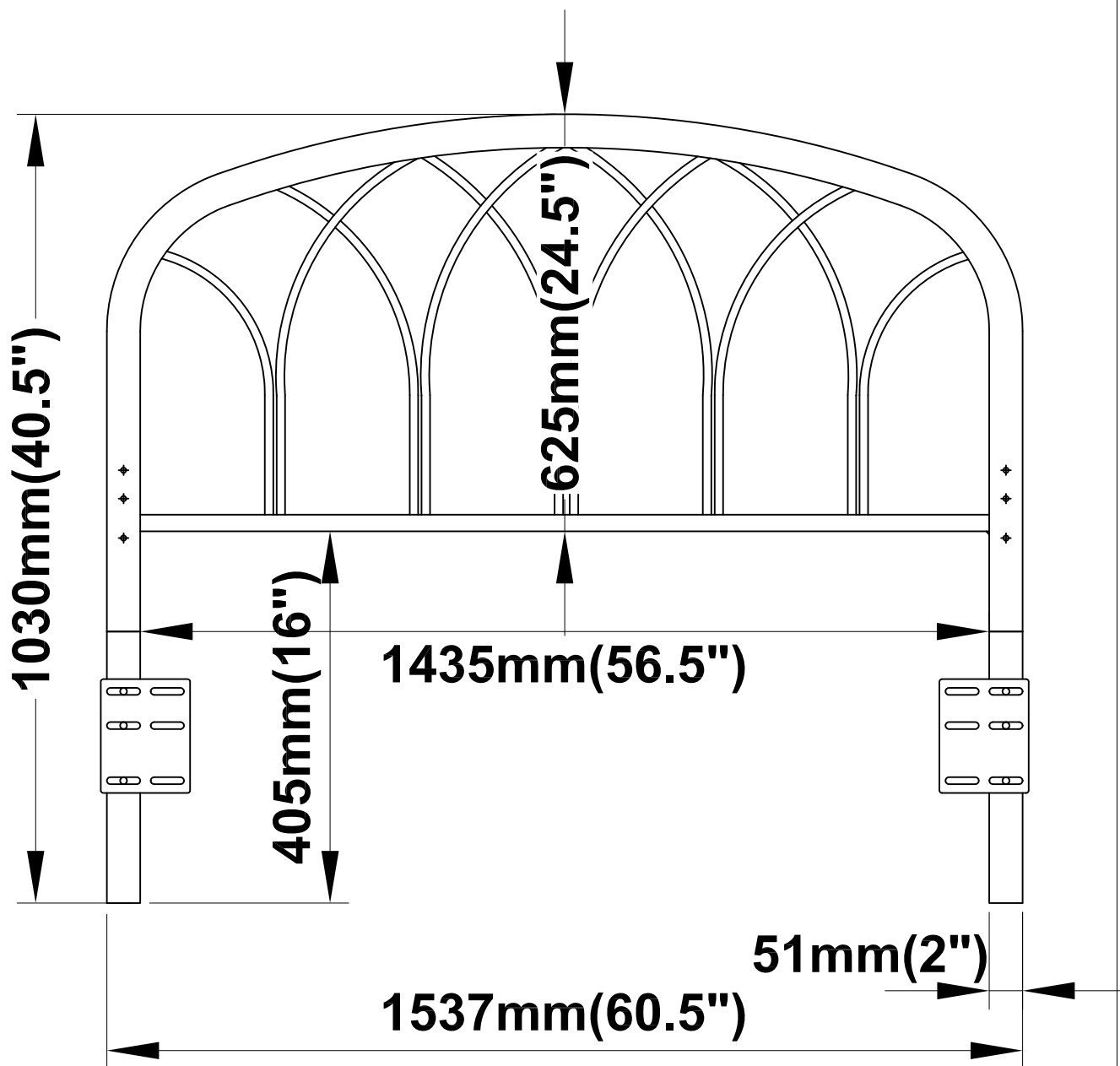
54" ASSEMBLY INSTRUCTIONS



ASSEMBLY INSTRUCTIONS

STEP 3.





Note : Dimension tolerance $\pm 5\%$