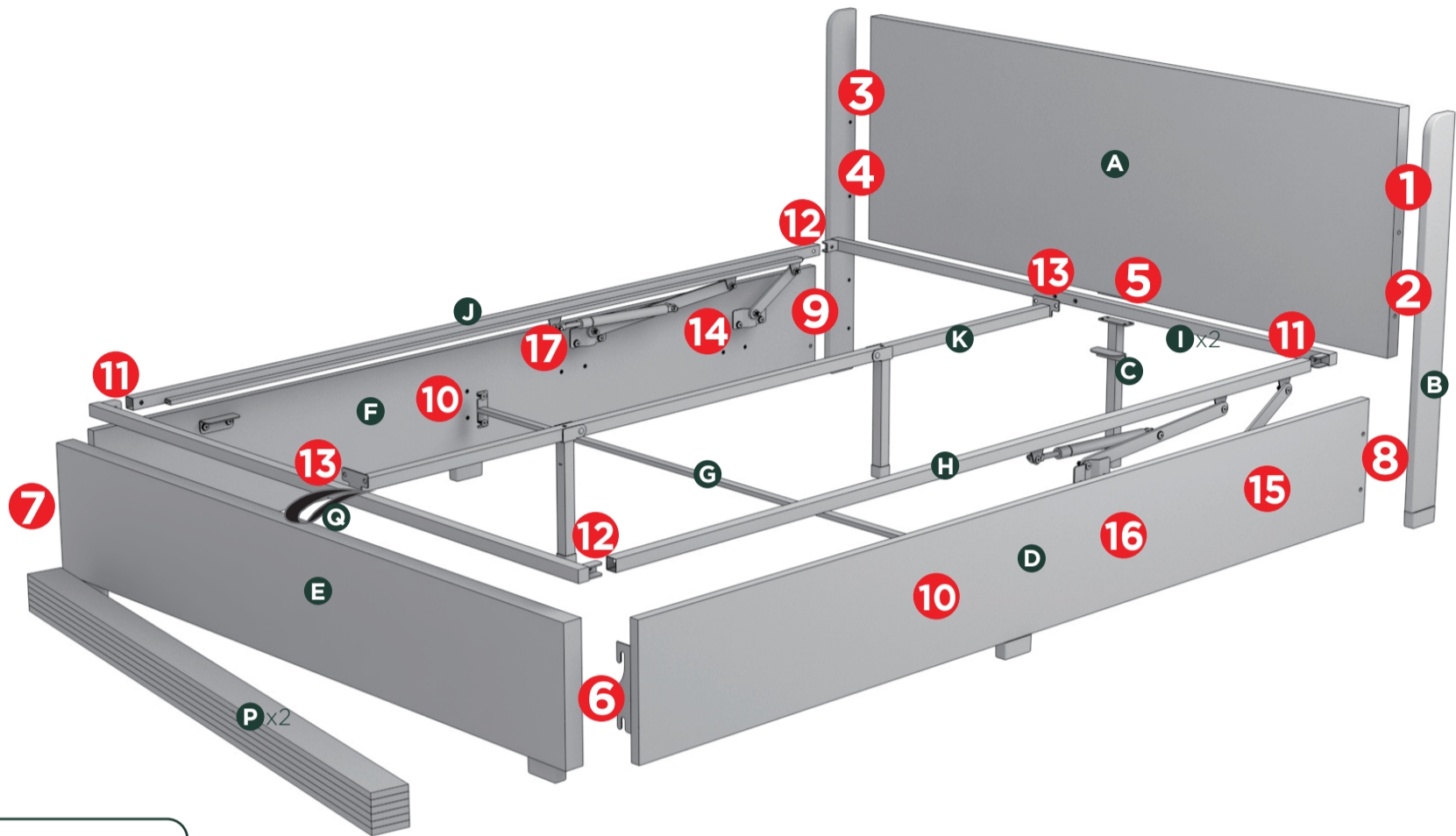
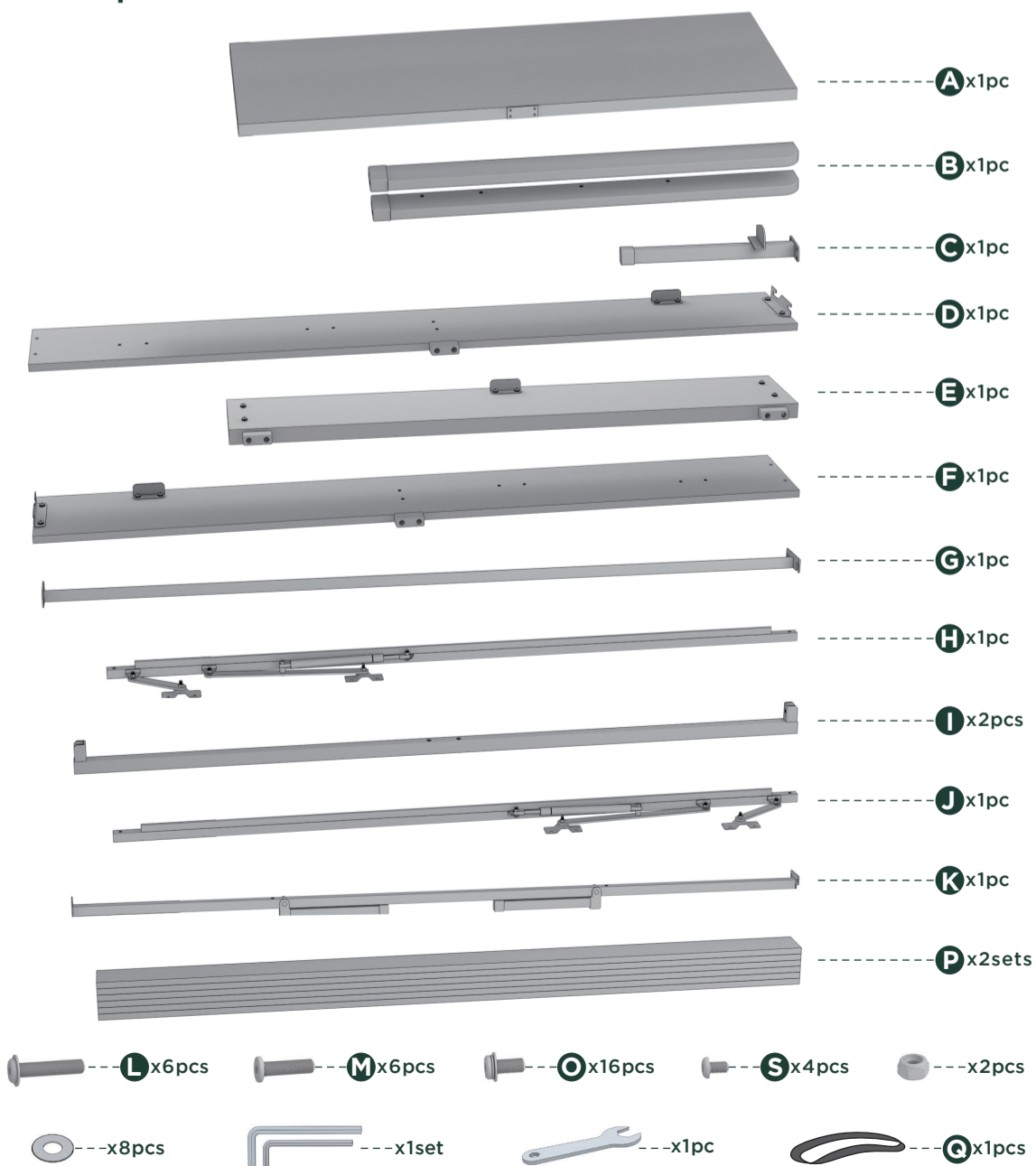


Easy as 1-2-3 Assembly Instruction

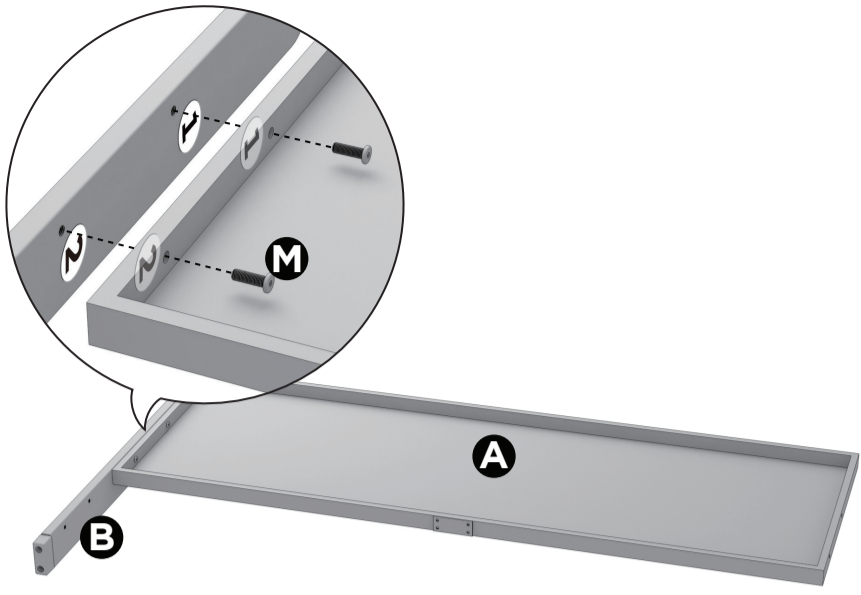
Numbers must Match for Secure Assembly



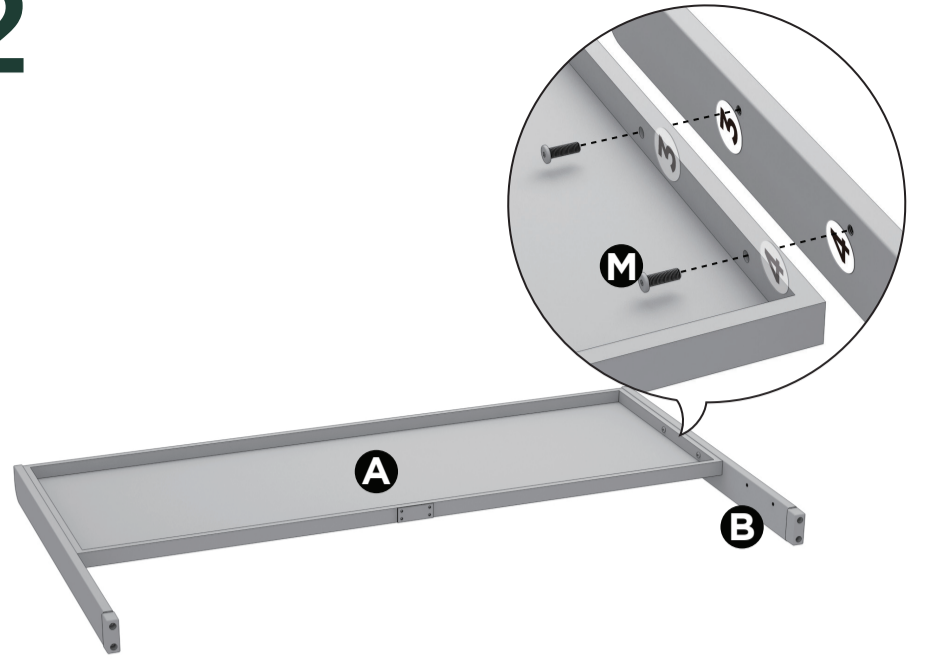
Components



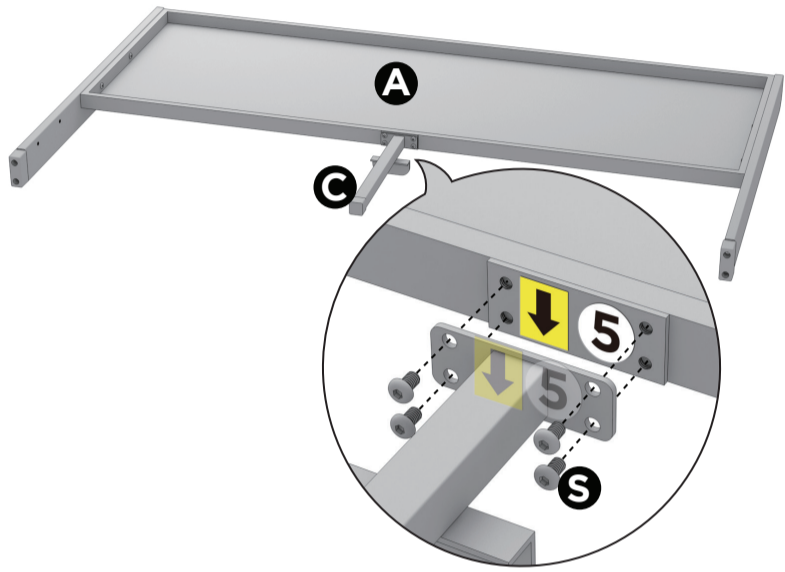
1



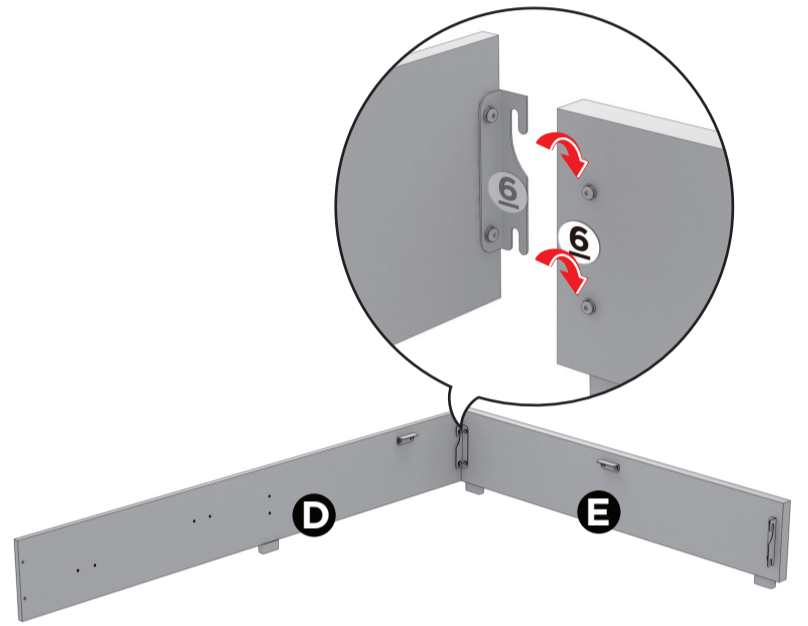
2



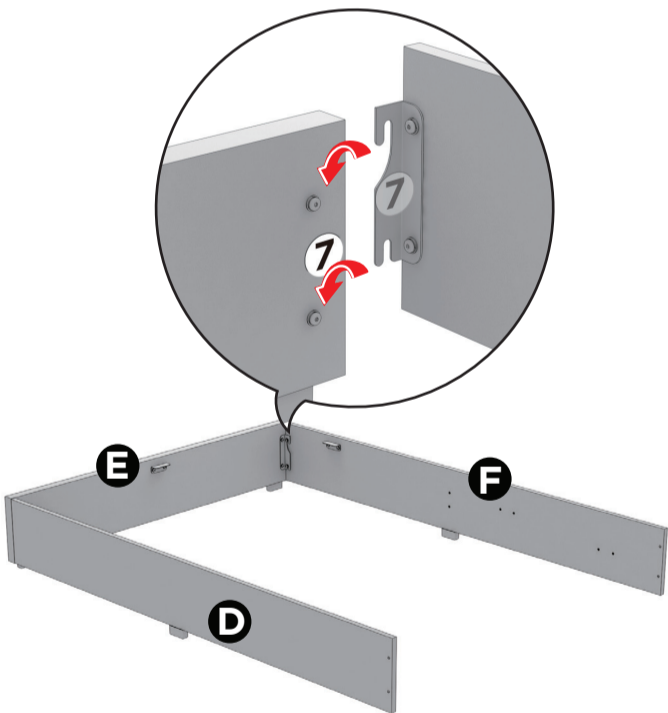
3



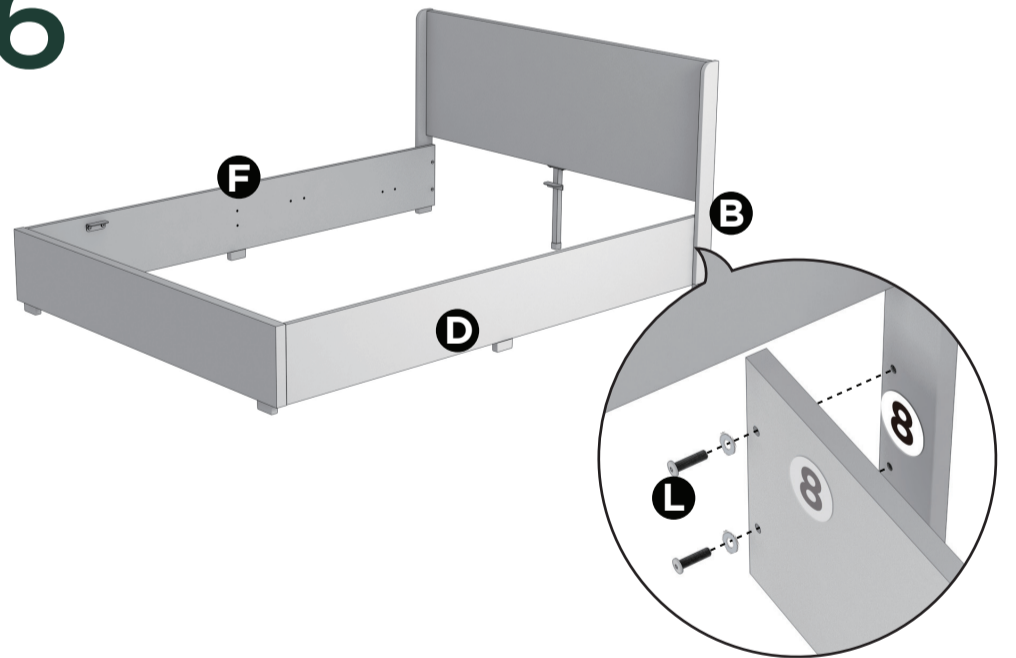
4



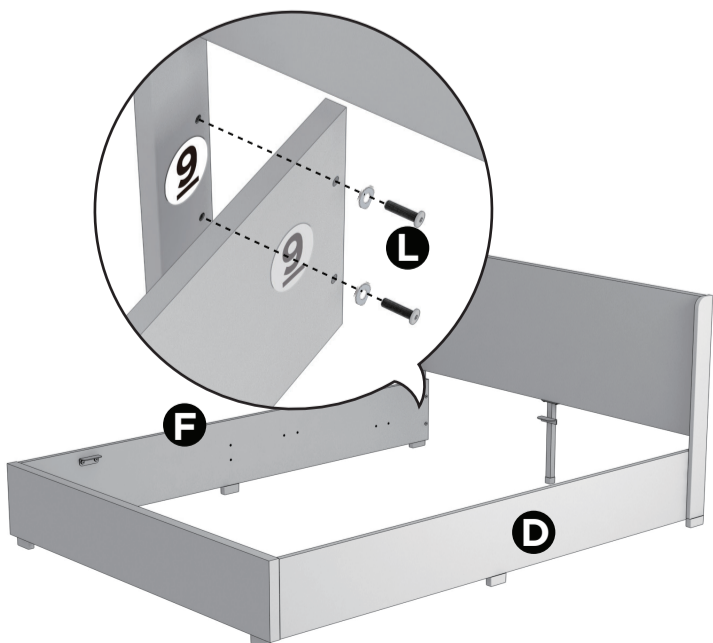
5



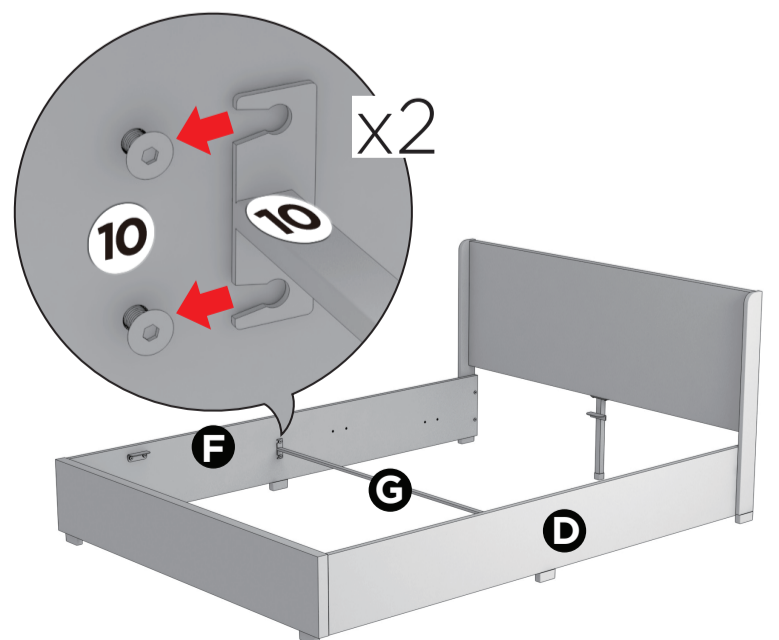
6



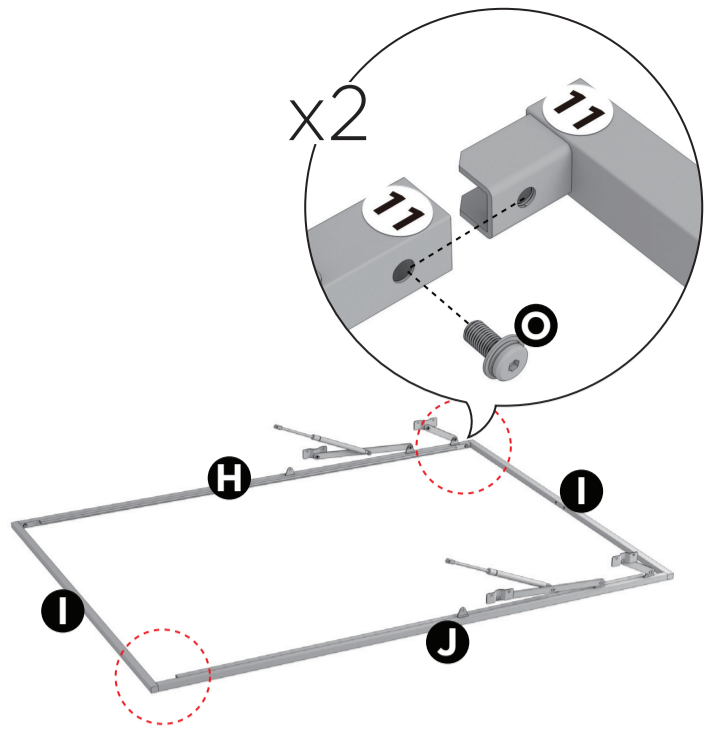
7



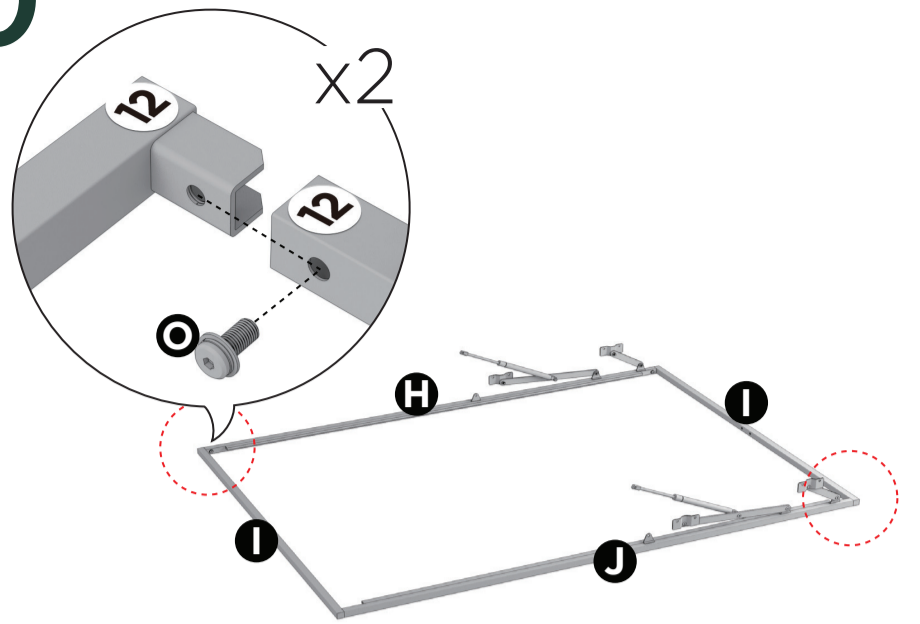
8



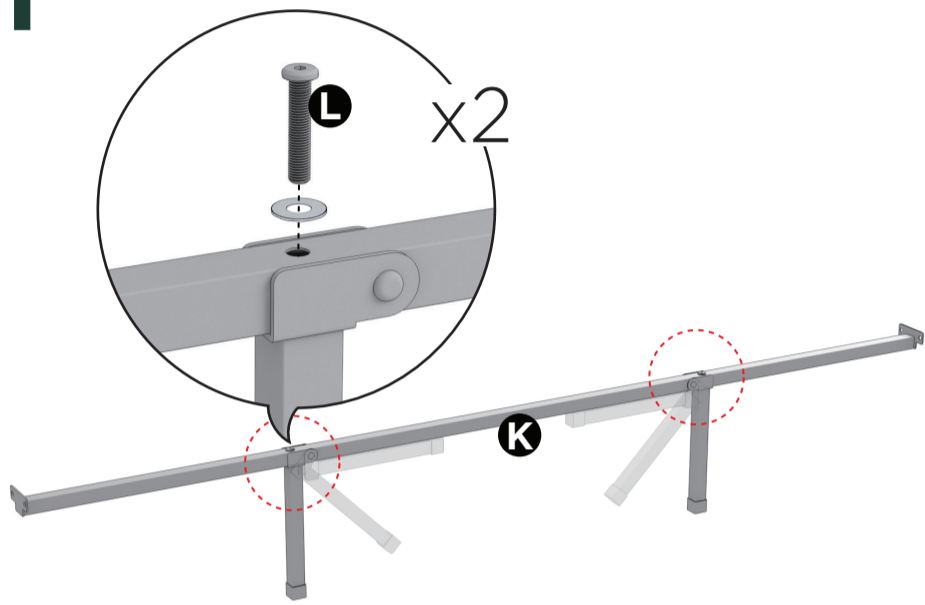
9



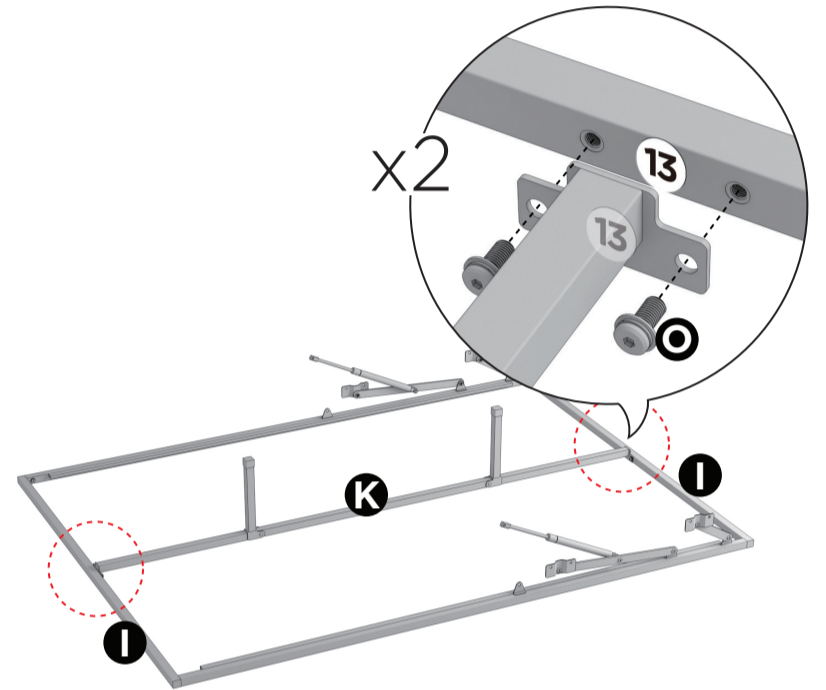
10



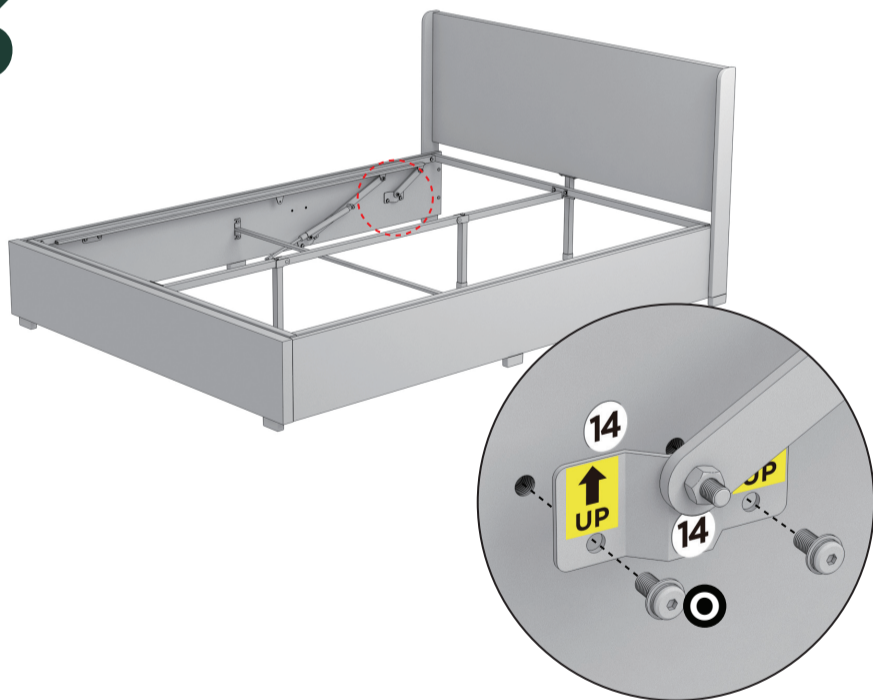
11



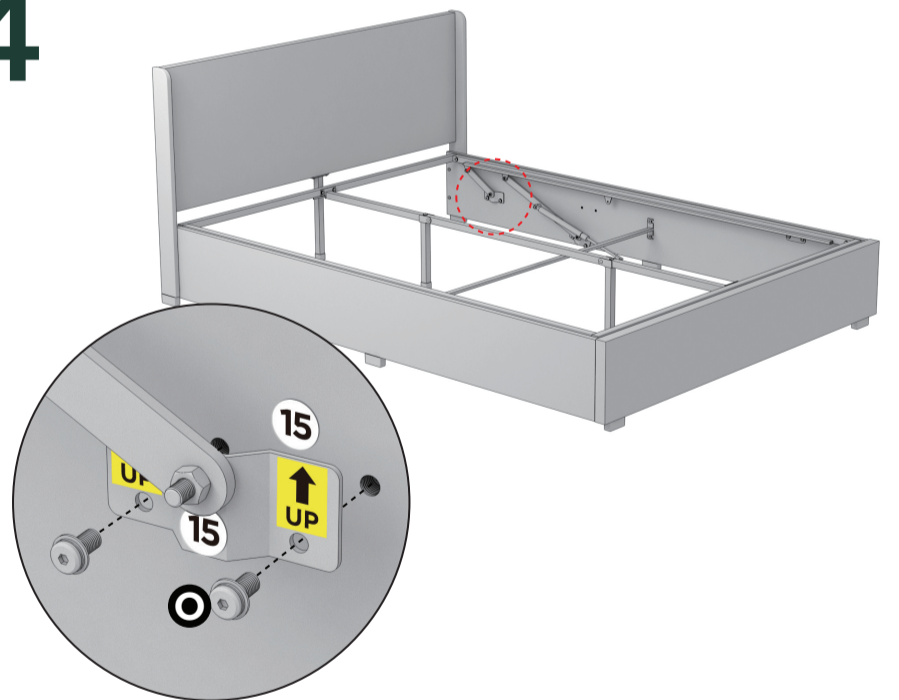
12



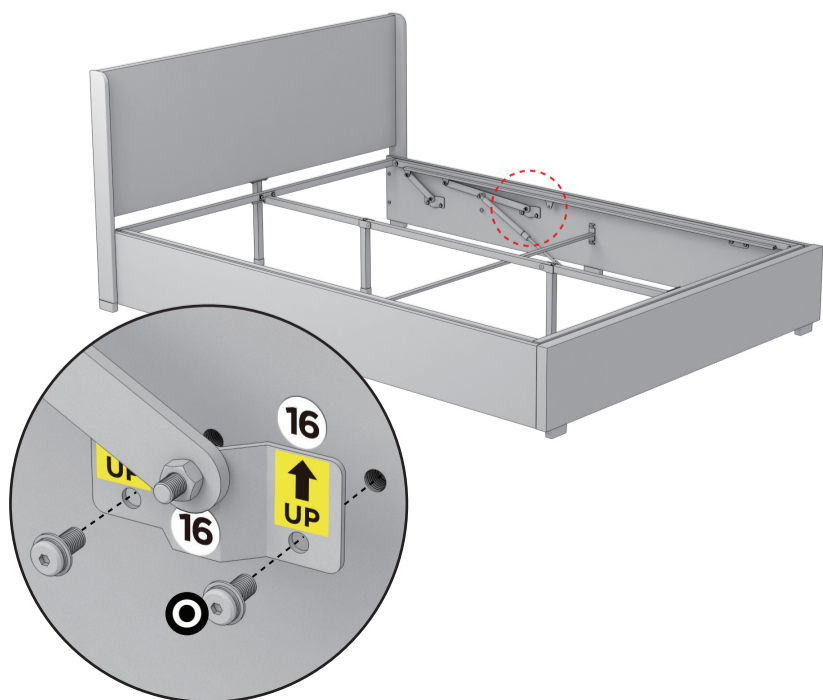
13



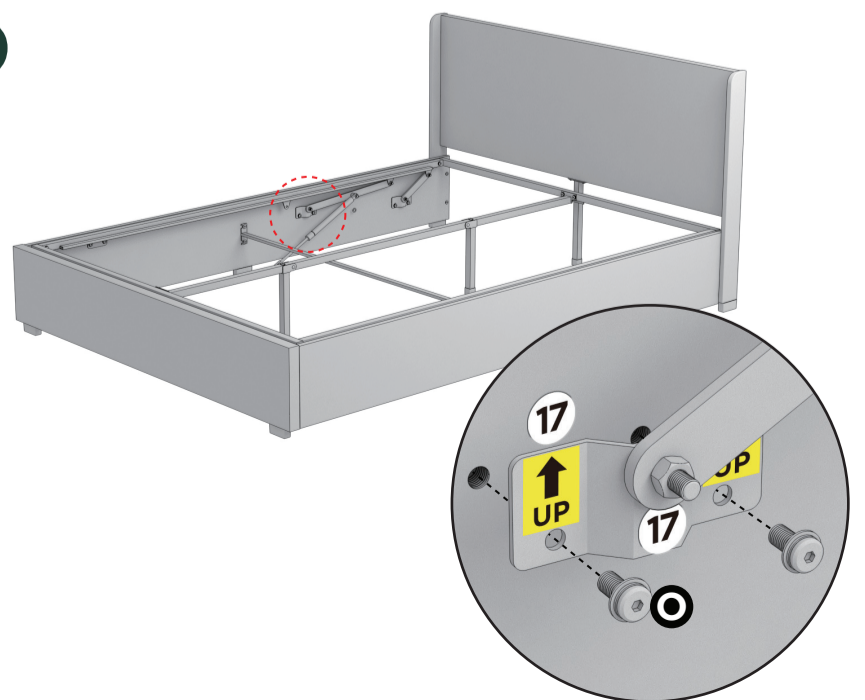
14



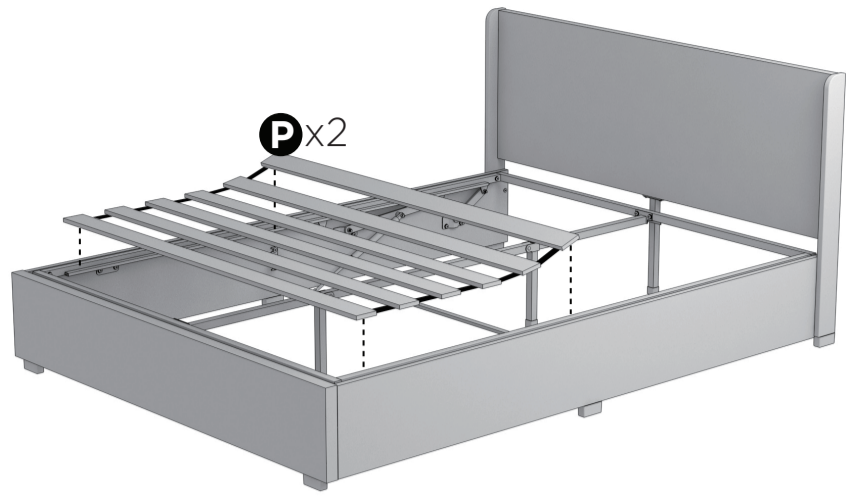
15



16



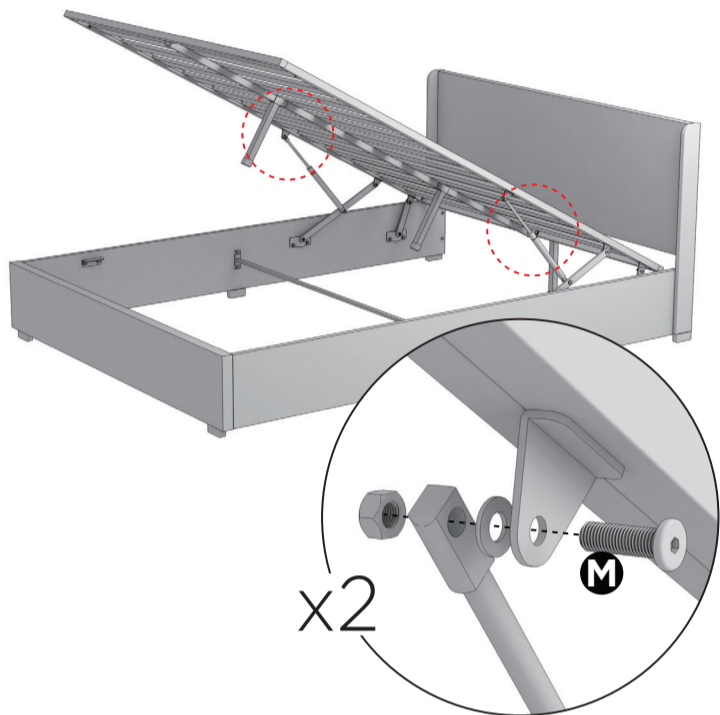
17



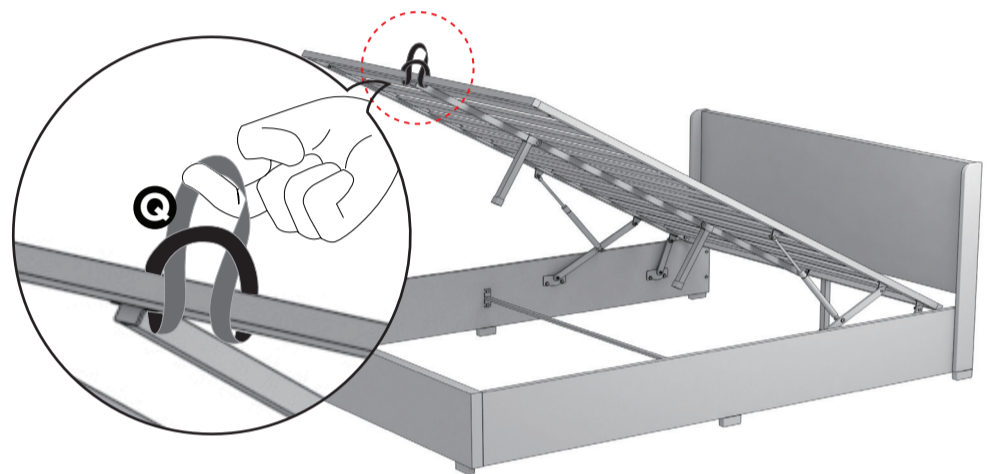
18



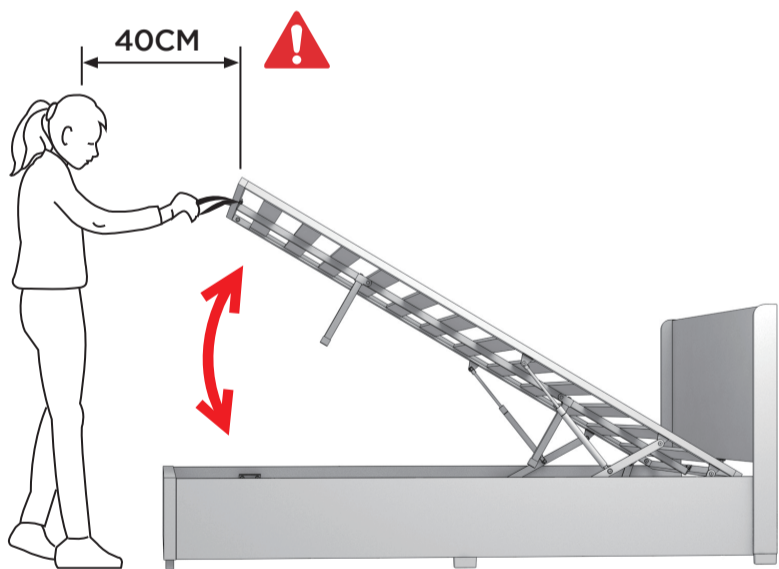
19



20



21



22



23

