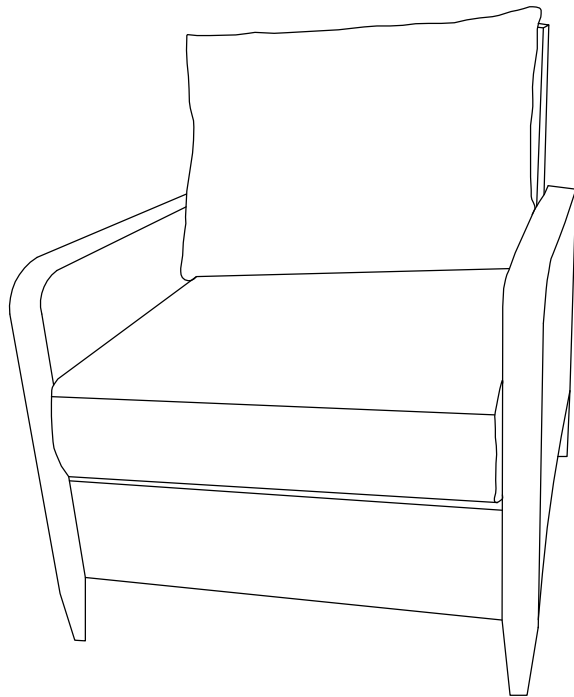

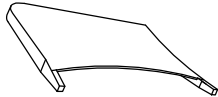
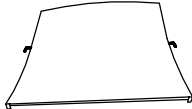
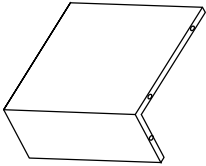
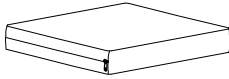
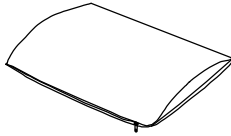


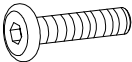
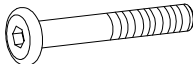
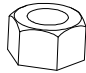

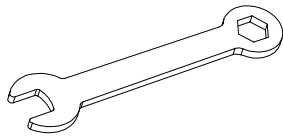

## Outdoor Wicker Arm Chair



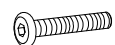
## PART LIST

					
Left Arm Panel		Right Arm Panel		Back Panel	
A	1PC	B	1PC	C	1PC
					
Seat Panel		Seat Cushion		Back Cushion	
D	1PC	E	2PCS	F	2PCS

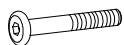
## HARDWARE LIST

					
Short Bolt(M6*40mm)		Long Bolt(M6*50mm)		Nut(M6mm)	
G	6PCS	H	4PCS	I	4PCS
					
Washer(M6mm)		Wrench(M6mm)		Allen Key(M6mm)	
J	14PCS	K	1PC	L	1PC

## EXTRA HARDWARE LIST



G X2PCS



H X1PC



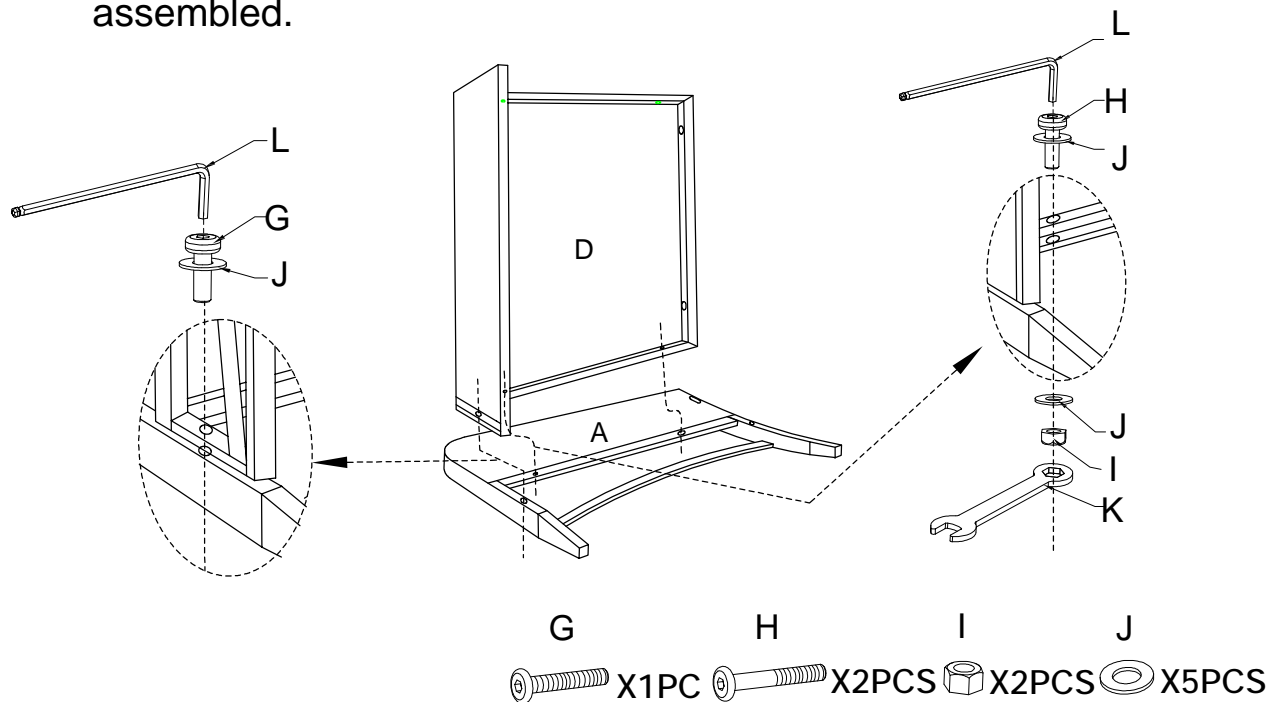
I X1PC



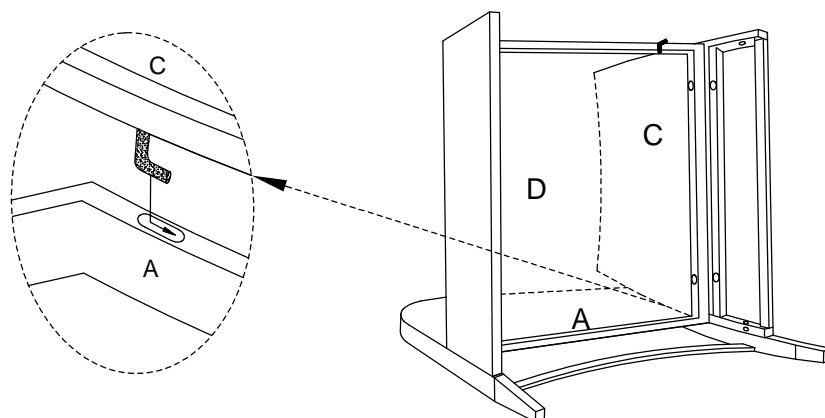
J X3PCS

**Step 1.** Lay Left Arm Panel (A) down on a flat surface. Attach Seat Panel(D) to Left Arm Panel(A) using the Short Bolts(G), Long Bolts(H), Washers(J), Nuts(I), Wrench(K) & Allen Key (L).

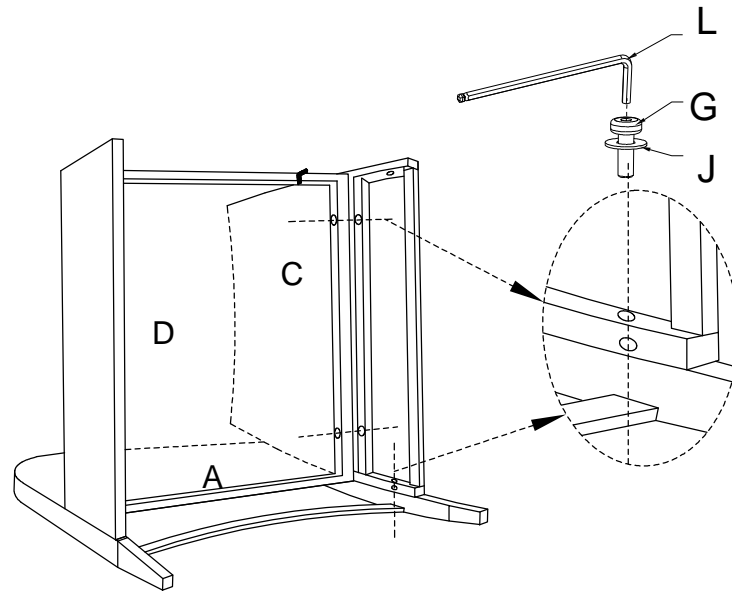
NOTE: Please do not fully tighten bolts until unit is fully assembled.



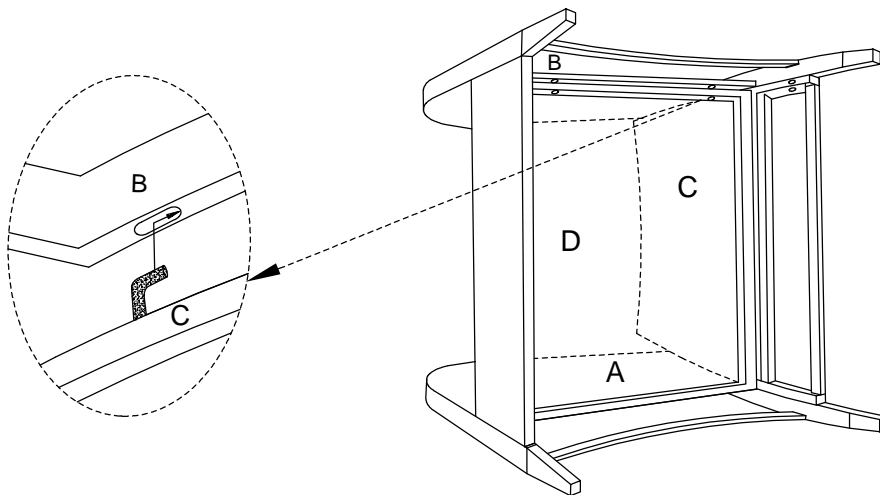
**Step 2.** Attach Back Panel (C) to Left Arm Panel (A) by inserting hook into the hole on Left Arm Panel (A).



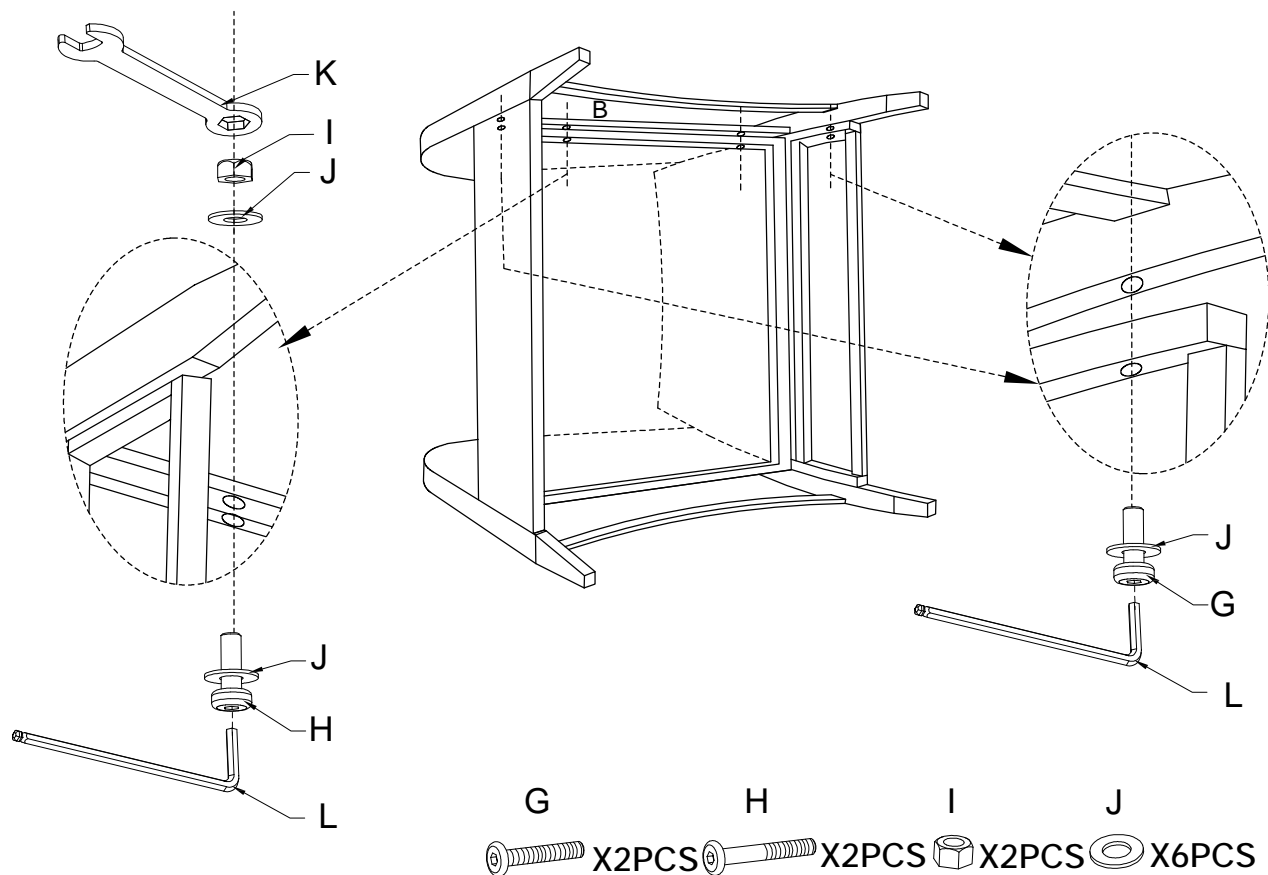
**Step 3.** Attach Back Panel(C) to Left Arm Panel(A) and Seat Panel (D) using the Short Bolts( G) Washers(J) & Allen Key (L).



**Step 4.** Attach Right Arm Panel (B) to Back Panel (C) by inserting hook into the hole on Right Arm Panel (B).



**Step 5.** Attach Right Arm Panel (B) to assembled parts(A,C&D) using the Short Bolts (G),Long Bolts (H ),Washers (J ),Nuts ( I ), Wrench ( K ), and Allen Key (L).



**Step 6.** Place Seat Cushion and Back Cushion on the chair.

