

# ASSEMBLY INSTRUCTIONS

Read this instruction carefully. See hardware and furniture part list for guidance. Be sure all parts are complete, before you assemble. Place all wooden furniture parts on a clean and flat soft surface to prevent from being scratched. Follow the figure to start assembling.

**CAUTIONS :** 1. Do not FULLY - TIGHTEN the nut or nut bolt until all nut or bolt is ready assembled.  
2. Do not OVER - TIGHTEN the nut or bolt to avoid causing damages to the thread.  
3. Keep all hardware parts out of reach of children.

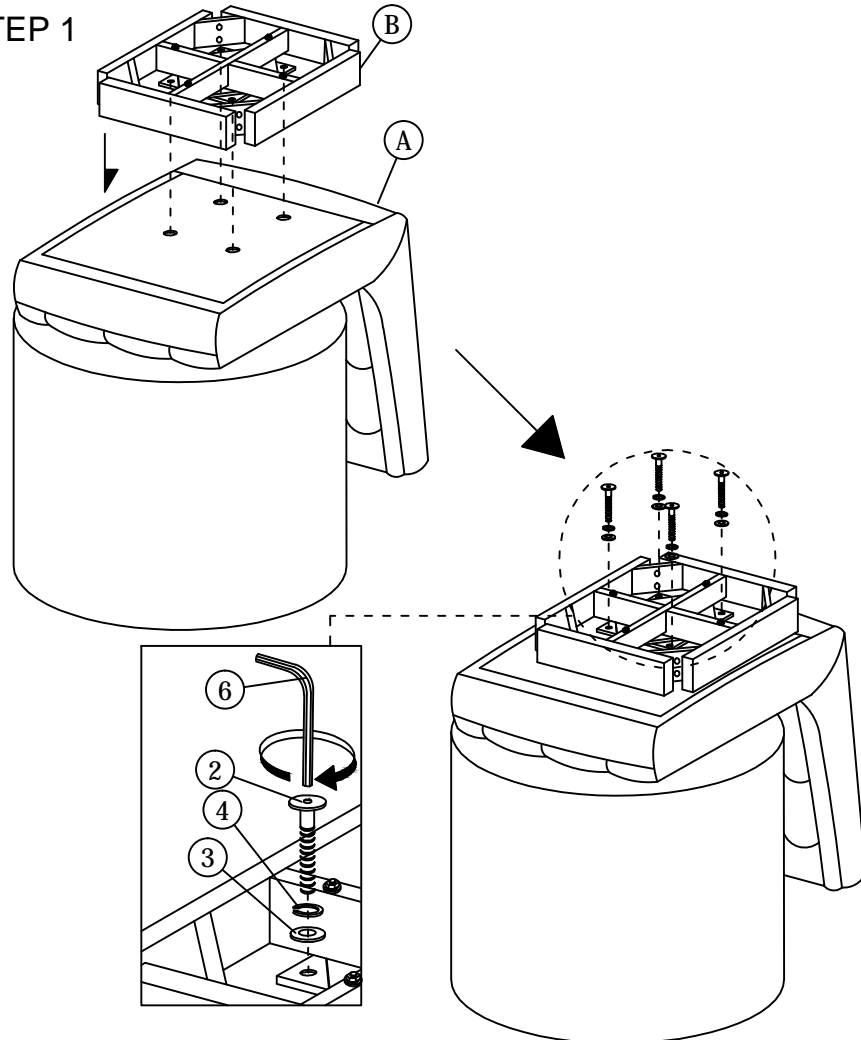
NOTE : THE LIST AND QUANTITY SHOWN ARE FOR 1 UNIT ASSEMBLY.

Tool needed : Screwdriver (not provided).

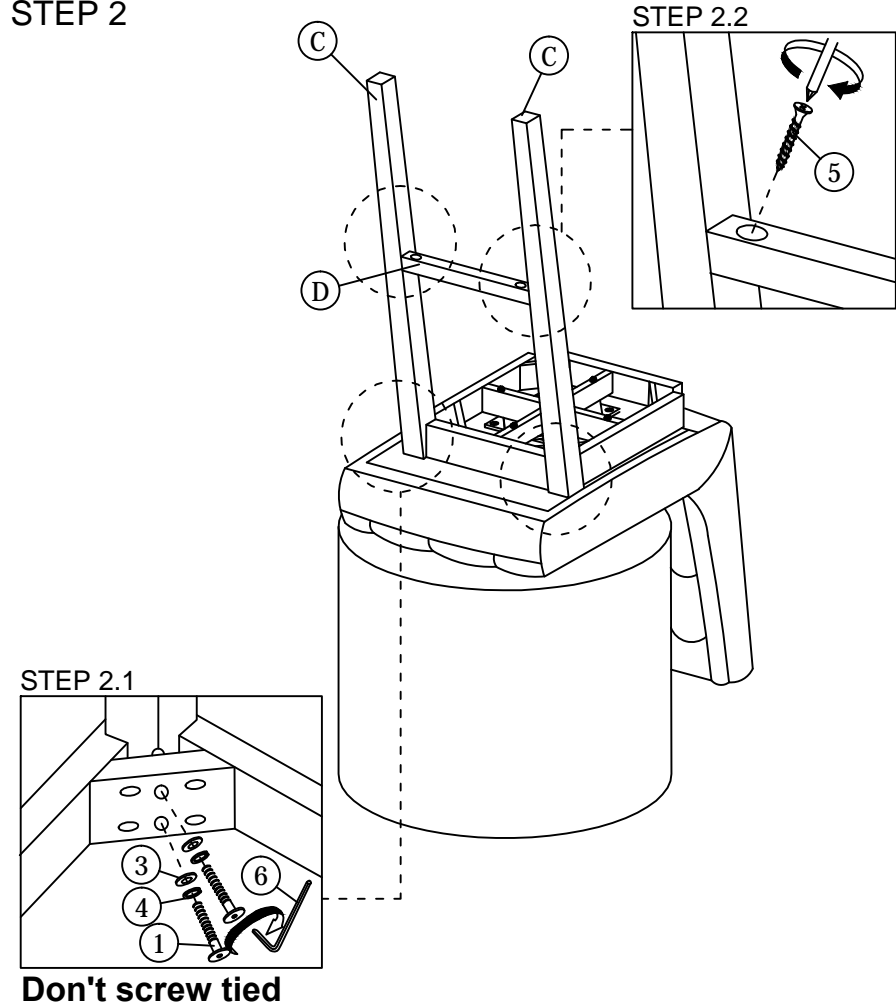
PART LIST		
ITEM	DESCRIPTION	QTY
A	CHAIR	1PC
B	CHAIR FRAME	1 PC
C	LEG	4 PCS
D	SIDE RAIL	4 PCS

HARDWARE LIST		
ITEM	DESCRIPTION	QTY
1	JCBC Bolt M6 x 50mm 	8 PCS
2	JCBC Bolt M6 x 40mm 	4 PCS
3	M6 FLAT WASHER 	12 PCS
4	M6 SPRING WASHER 	12 PCS
5	WOOD SCREW M4 x 38mm 	8 PCS
6	M4 ALLEN KEY (BALL SHAPE) 	1 PC

## STEP 1

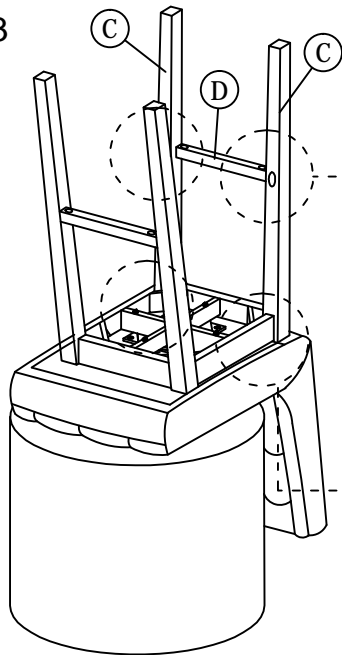


## STEP 2

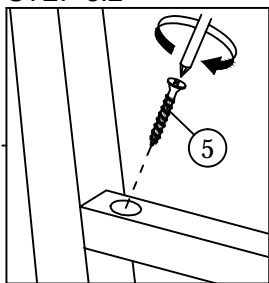


# ASSEMBLY INSTRUCTIONS

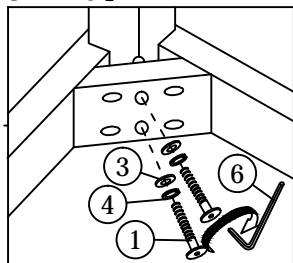
STEP 3



STEP 3.2

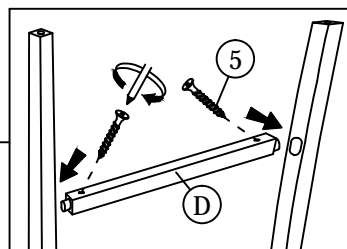
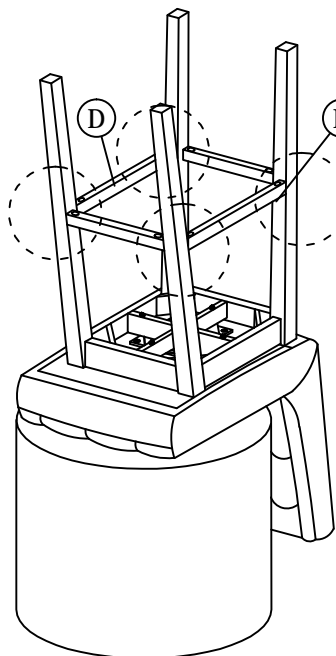


STEP 3.1



**Don't screw tied**

STEP 4



**\*\*Finish step 4,  
Please screw tied the  
step 2 & 3 bolt.**

STEP 5

