

# Installation Instructions

## WALL-MOUNT SINK

CASTELLO  
USA

**All wall-mounted items must be installed by a licensed professional contractor or plumber.**

This guide serves as a general reference, assuming the use of a 24-inch sink. Please note that hole placements and mounting hardware might differ depending on the size of the sink.

Every bathroom design is different and may require more steps than what is shown here.

Two or more people are recommended to handle and install this product as it is fragile.

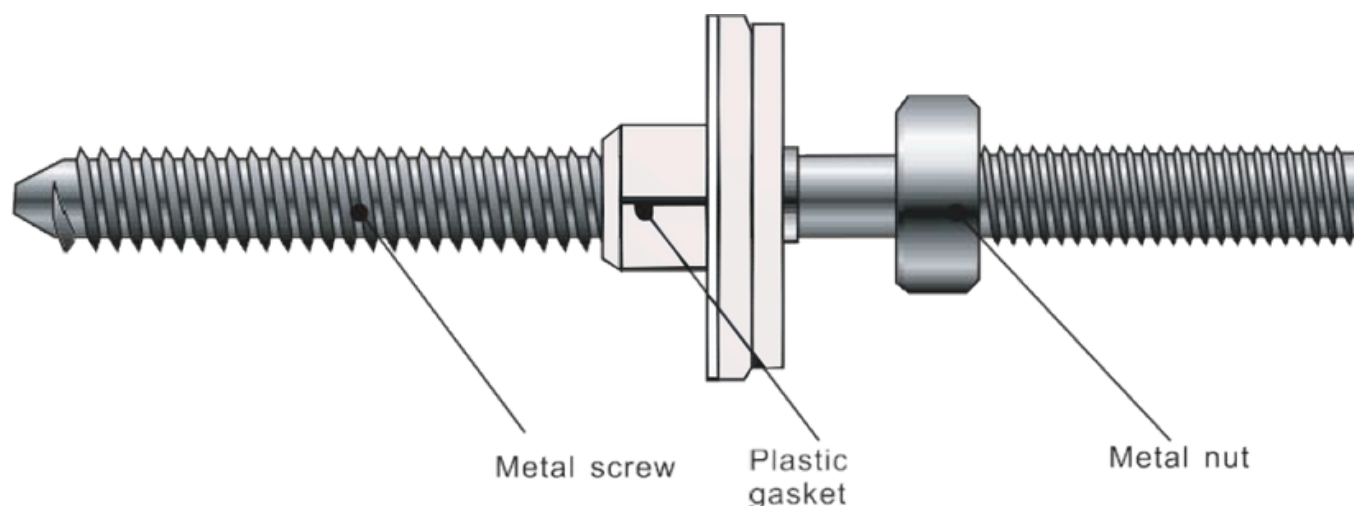
The attachments work best for solid walls. If installing to a stud wall, **Wall-mounted items must be secured into wall studs directly**, not just drywall. Ensure proper stud spacing for secure mounting. Stud walls might necessitate specialized attachments (not included).

Consult a licensed professional for guidance if needed.

**We are not responsible for any damage or issues that may arise once the item is opened for installation.**

## Included Parts

### WALL-MOUNT SINK +



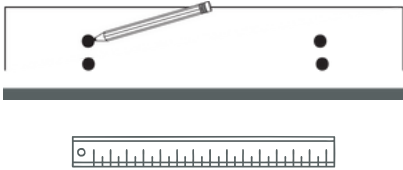
The quantity of hardware varies depending on the specific sink you acquire.

# Installation Instruction

## WALL-MOUNT SINK

CASTELLO  
USA

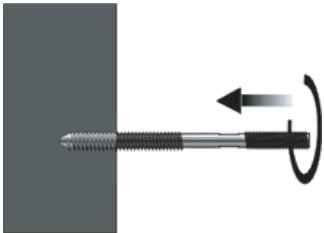
Find the wall studs. If the studs don't align with the sink's mounting holes, you'll need extra support backing behind the finished wall. Measurements are approximated. Consult a licensed professional for guidance.



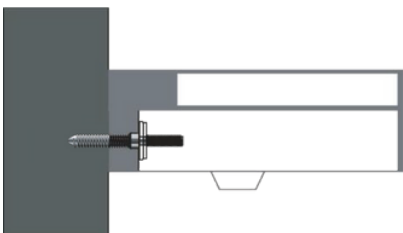
Measure the space between the center of each mounting hole at the back of the sink. Utilize this measurement to mark two points on the wall where you want to mount it. Ensure these marks are level with the floor using a level.



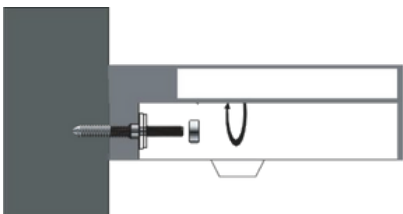
Locate the holes on the rear of the basin, then measure and mark corresponding points on your desired wall. Using a 14mm masonry drill bit, drill two holes into the wall to a depth of 75mm.



Screw each of the provided bolts into the wall using a 8mm spanner.



Place the basin against the wall by passing the bolts through the holes on the rear of the sink. Then place the plastic gasket.



Screw a metal nut onto each bolt to secure the basin. be careful not to over-tighten as this may damage the material.