

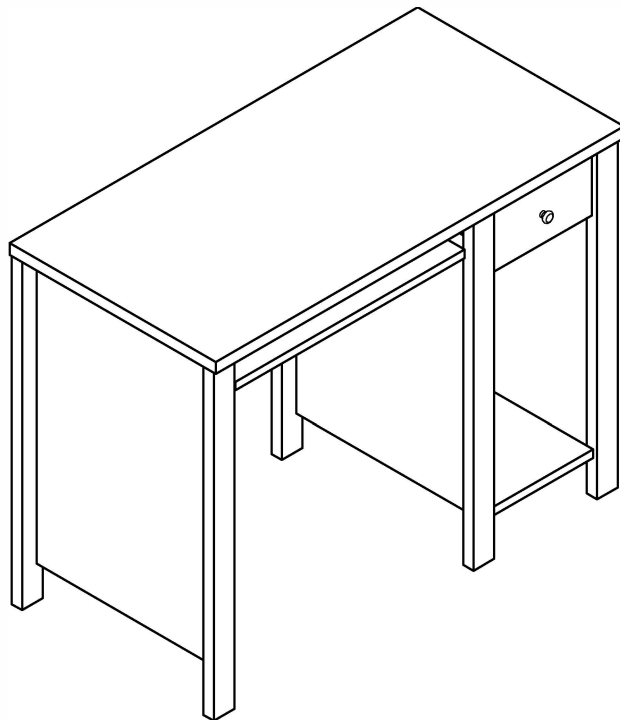
ASSEMBLY INSTRUCTION

PLEASE READ BEFORE ASSEMBLING!

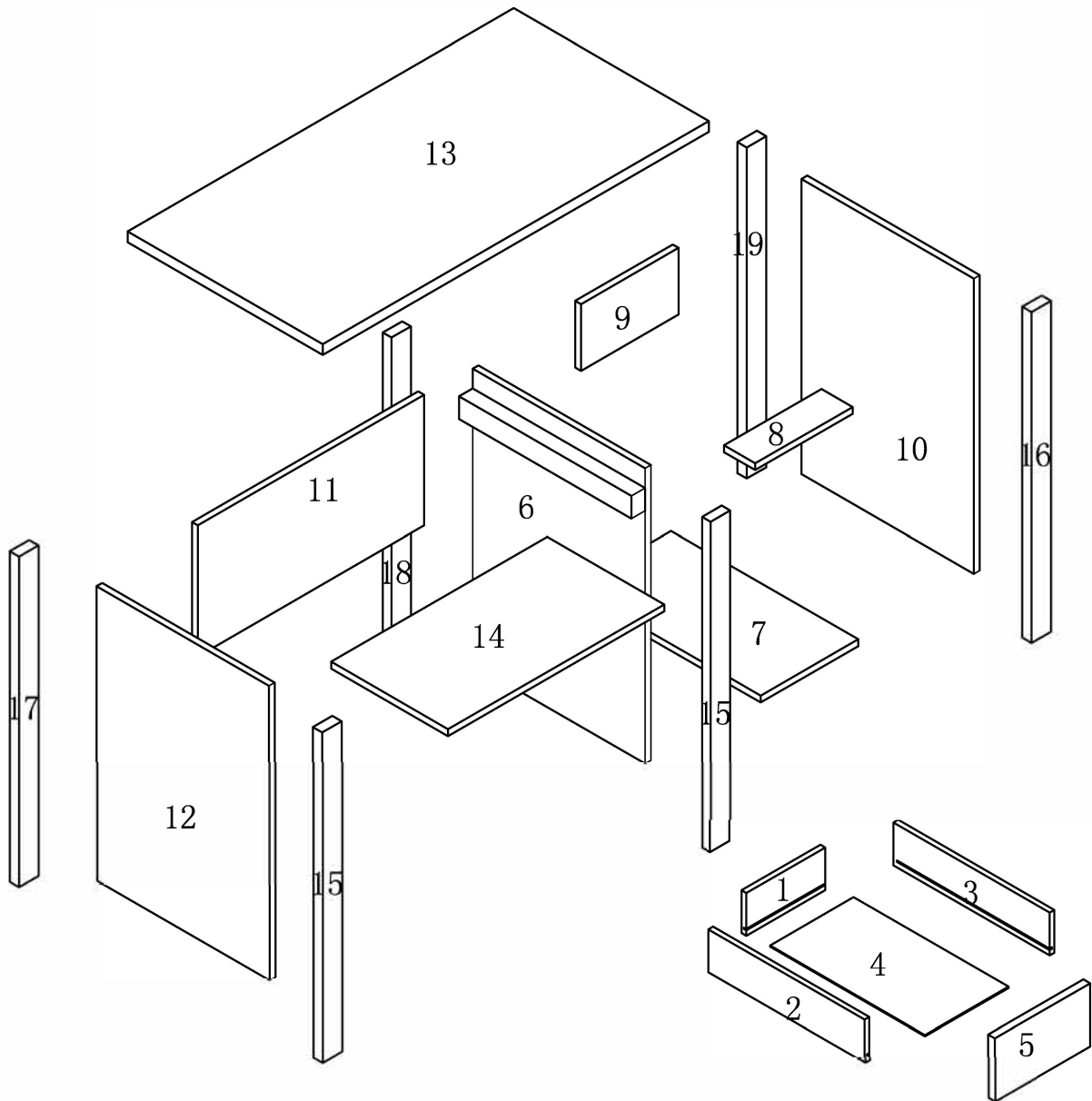
Tip #1: Make sure you've taken all the pieces and hardware out of its packaging before discarding the box.

Tip #2: Using page 2 and/or page 3 of instruction manual make sure all pieces and hardware are accounted for.

Tip #3: Read manual before assembling, it helps!

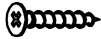






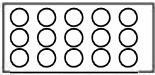





PARTS IDENTIFICATION

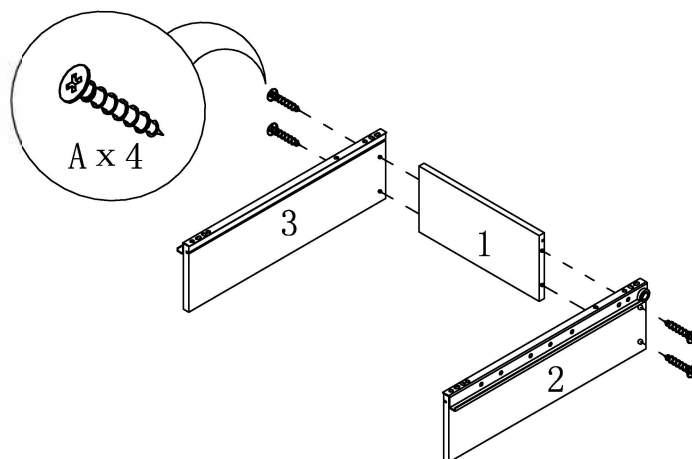


(1)	1pc	(7)	1pc	(13)	1pc	(19)	1pc
(2)	1pc	(8)	1pc	(14)	1pc		
(3)	1pc	(9)	1pc	(15)	2pc		
(4)	1pc	(10)	1pc	(16)	1pc		
(5)	1pc	(11)	1pc	(17)	1pc		
(6)	1pc	(12)	1pc	(18)	1pc		

HARDWARE IDENTIFICATION

A		ø4 x 30	4pcs
B		L20	4pcs
C		ø12	4pcs
D			1pc
E		ø4 x 22	1pc
F		L29	32pcs
G		ø15	32pcs
H		ø18	15pcs
I		ø8 x 25	25pcs
J		ø16	6pcs
K		Glue: For securing please apply to wood dowel first before inserting into panel	1pc

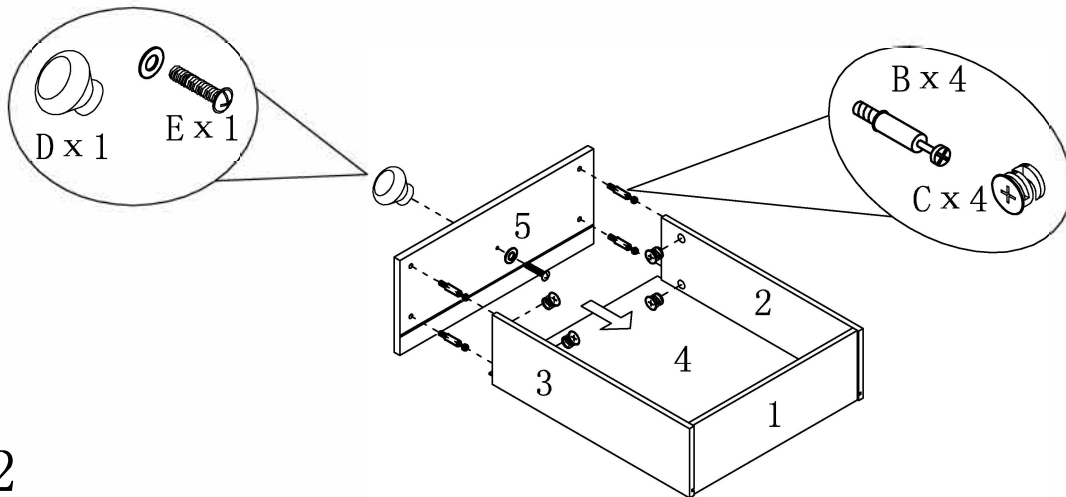
ASSEMBLY INSTRUCTION



STEP 1

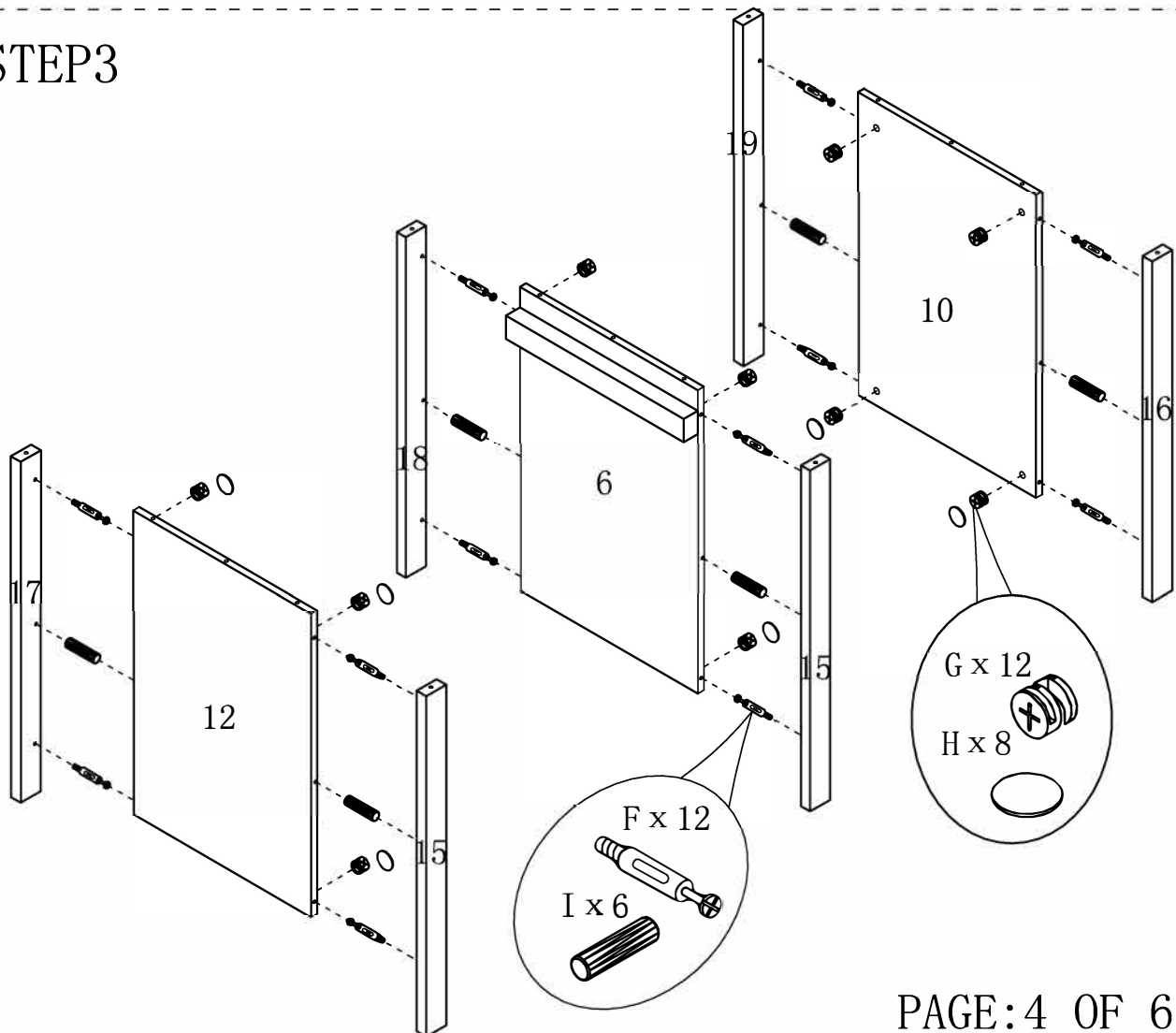
PAGE: 3 OF 6

ASSEMBLY INSTRUCTION

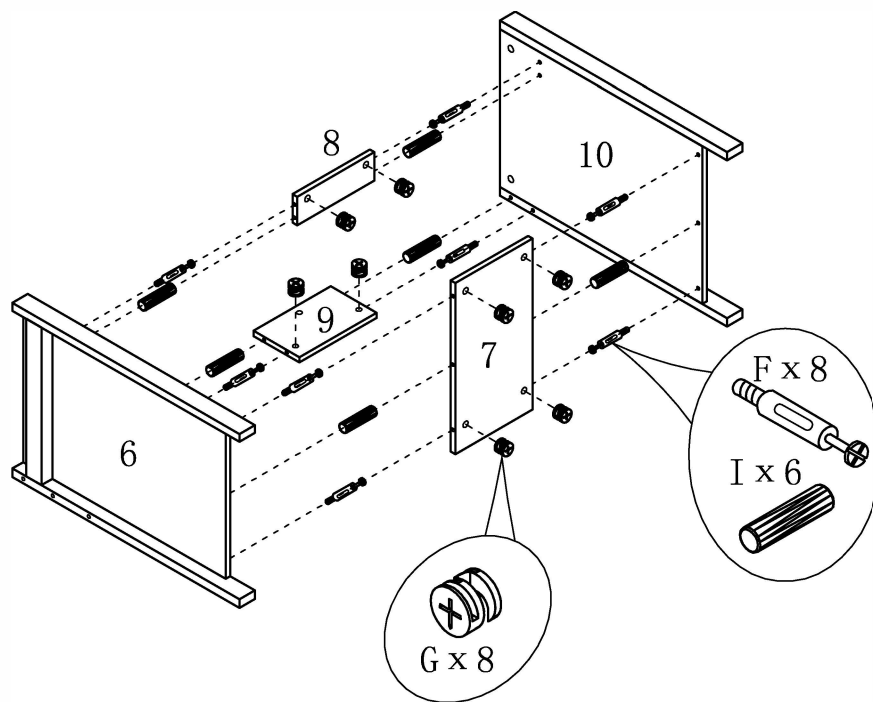


STEP2

STEP3

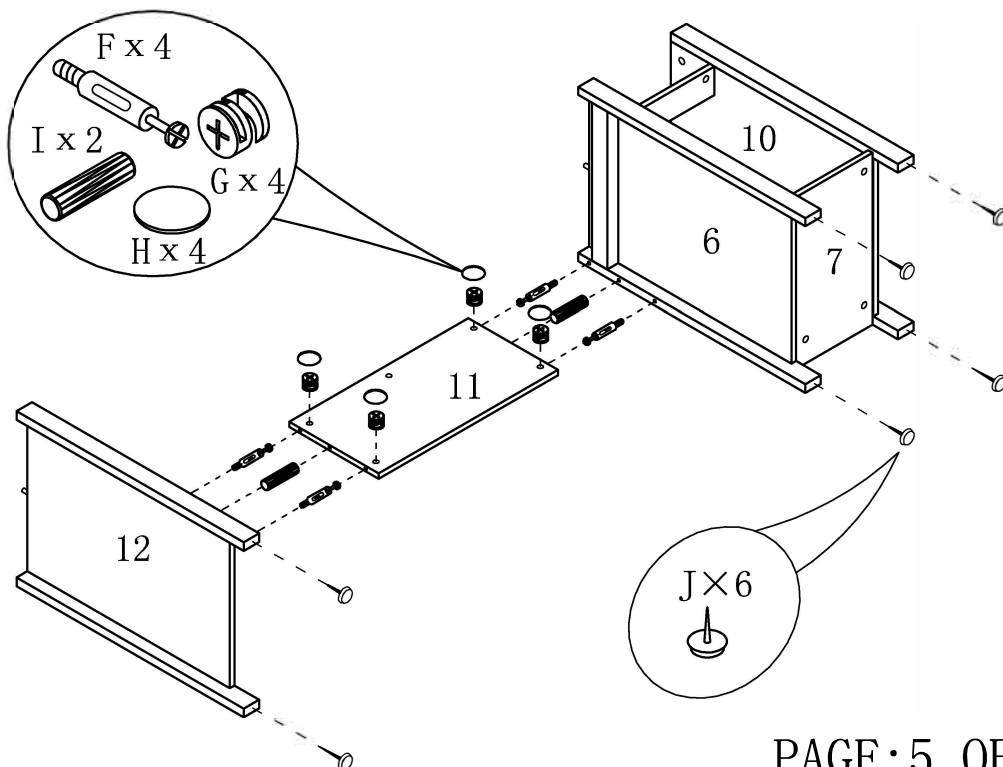


ASSEMBLY INSTRUCTION

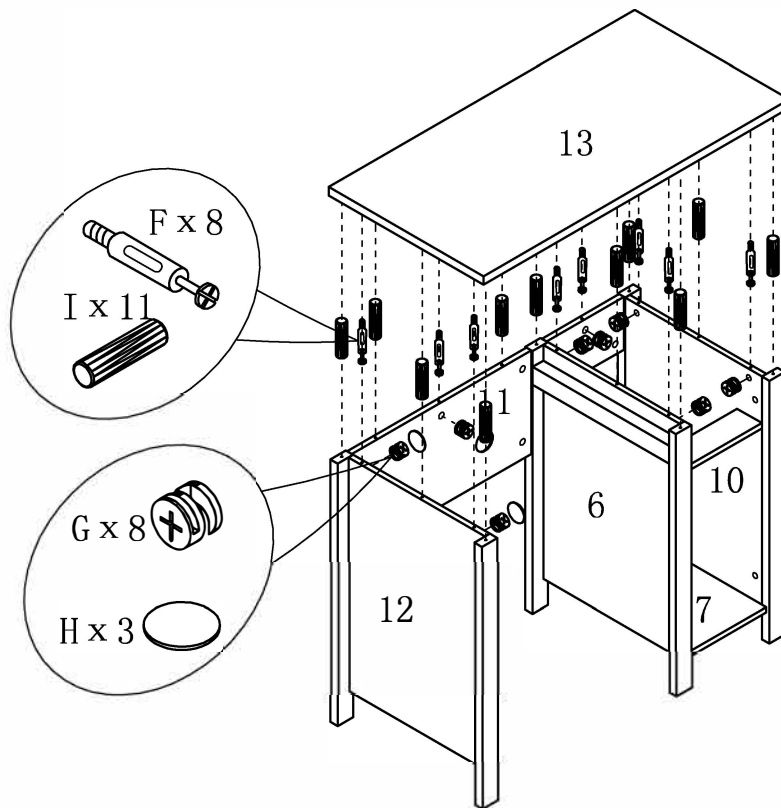


STEP4

STEP5



ASSEMBLY INSTRUCTION



STEP6

STEP7

