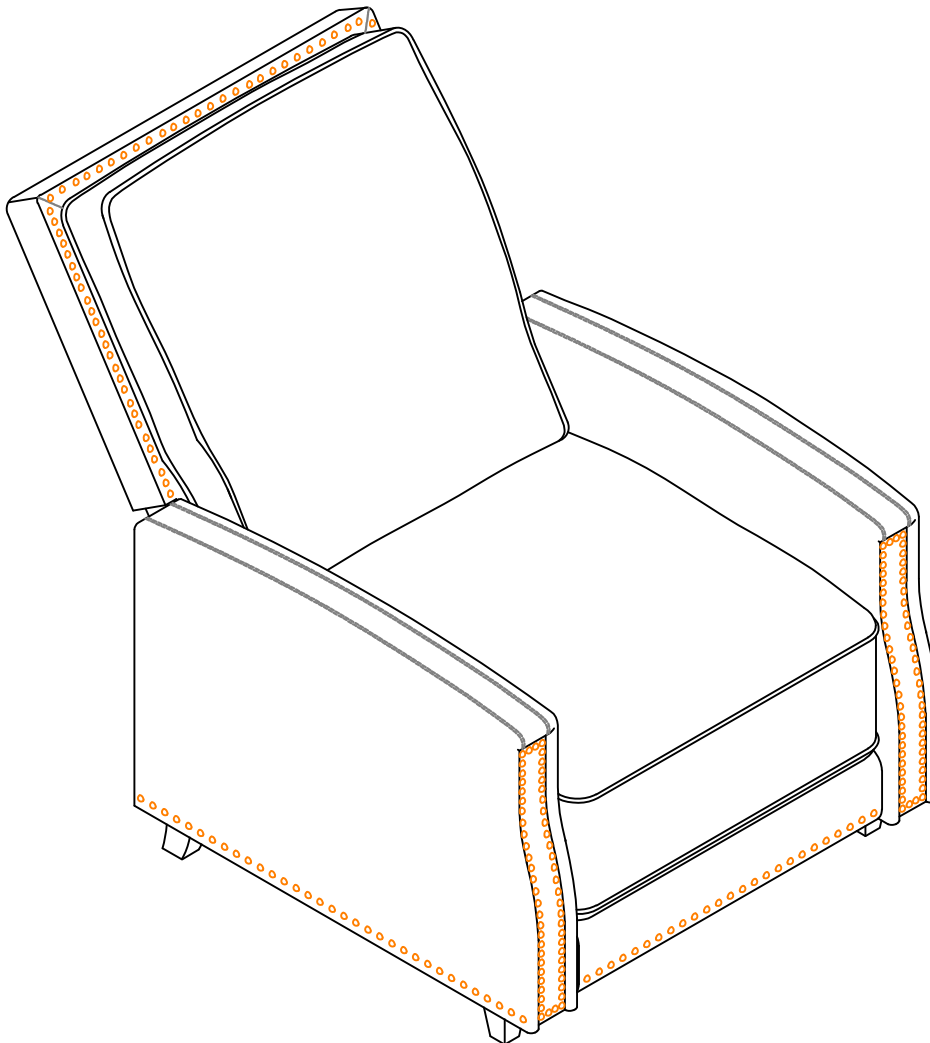


---

# Push Back Recliner Armchair

## Assembly Manual

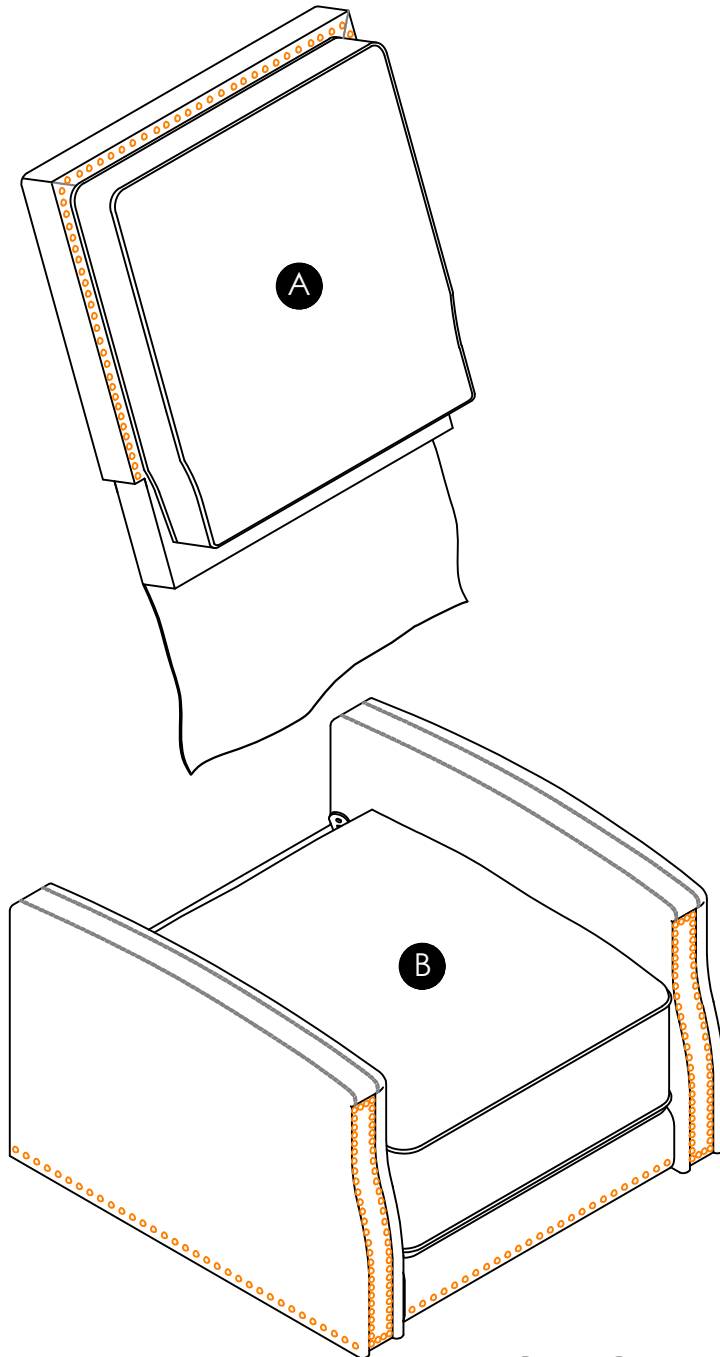
### MM76093



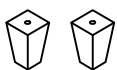
### CAUTION

THIS ASSEMBLY MANUAL CONTAINS IMPORTANT SAFETY INFORMATION.  
PLEASE READ AND KEEP FOR FUTURE REFERENCE.

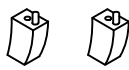
# COMPONENTS



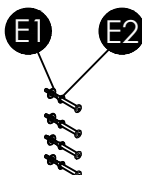
- A** Backrest  
1X
- B** Seat body  
1X
- C** Front Legs  
2X
- D** Back Legs  
2X
- E** Bolts  
4X
- E1** Flat washer  
4X
- E2** Lock washer  
4X
- F** Felt pad  
4X
- G** Allen key  
1X



**C**



**D**



**E**

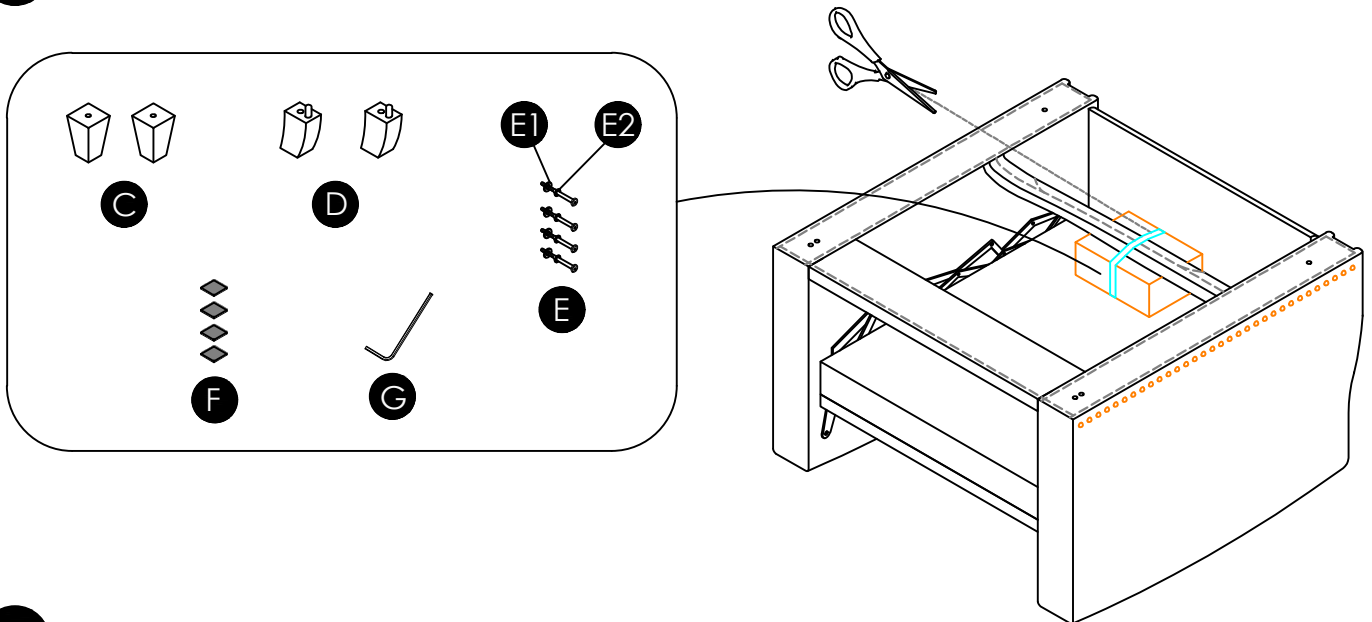


**F**

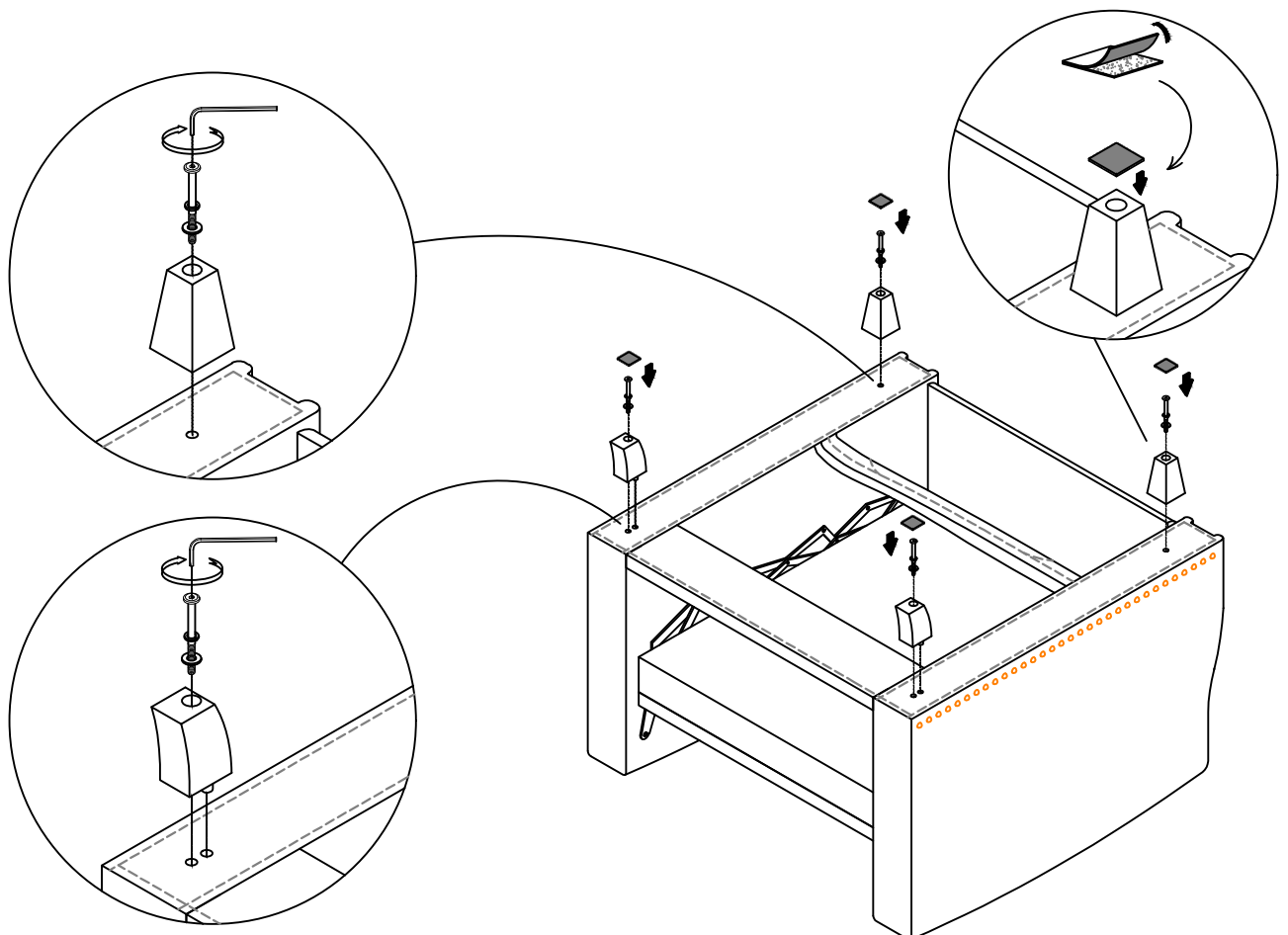


**G**

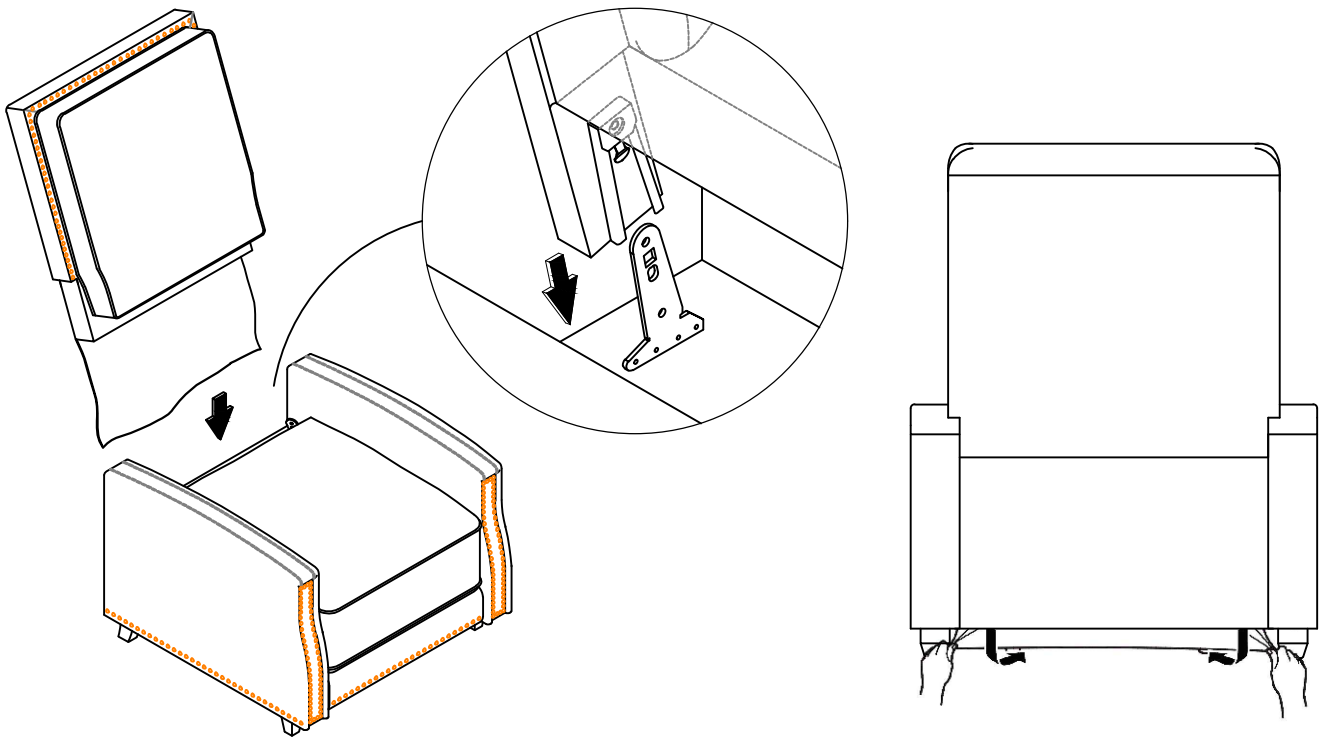
- 1** Please cut off the straps then remove the parts from the box before assembling.



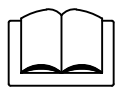
- 2** Install the front Legs (C) and back Legs (D) to the Seat body (B) by using the Bolts (E) with flat washer (E1) and lock washer (E2). Tighten all bolts with a Allen key (G) provided. Attach the felt pad to the bottom of the legs.



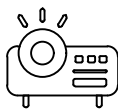
- 3** Align the hook-loop brackets and get the backrest into the seat body. Gently push down until the back locks into position, then attach the back cover to the bottom of the seat with Velcro



- 4** Assembly completed, It's ready to use.



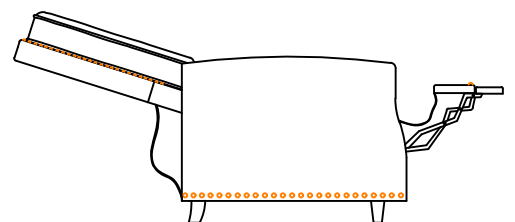
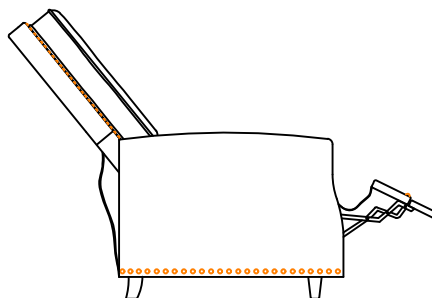
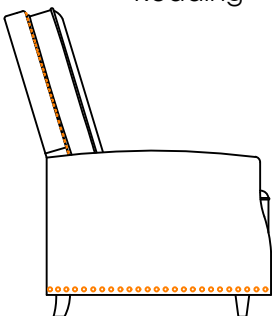
Reading



Watching



Napping



# Design Exquisite Furniture For Your Home

---

## PRODUCT WARRANTY

- 1-year limited on cover against splitting, peeling, and/or tearing.
- 1-year limited on internal and external frame structure.
- 1-year limited on cushioning material, seat springs and mechanism.

## Contact us:

We make all efforts to guarantee that the products you receive are in excellent condition. If there are any parts missing or damaged, the Customer Service Team will be happy to provide free replacements for you. We have professional warehouses where the current inventory of parts is enough so that they will arrive in your hands as fast as possible.

Assistance with assembly or product details is available; don't hesitate to get in touch with us to get priority service.

Our E-mail address: [CS.furniture@outlook.com](mailto:CS.furniture@outlook.com).



**[CS.furniture@outlook.com](mailto:CS.furniture@outlook.com)**